

[54] SURGICAL STAPLING INSTRUMENT

[75] Inventors: Reinhart Butter, Columbus, Ohio;  
Lehmann K. Li, Fairfield, Conn.

[73] Assignee: American Cyanamid Company,  
Stamford, Conn.

[\*\*] Term: 14 Years

[21] Appl. No.: 194,711

[22] Filed: Oct. 6, 1980

[51] Int. Cl. .... D24-02

[52] U.S. Cl. .... D24/27; D8/49

[58] Field of Search ..... 128/334 R; D24/27;  
227/83, 19, 120, 110, 128-134; D8/49, 50, 51

[56] References Cited

U.S. PATENT DOCUMENTS

D.253,612 12/1979 Jarvik et al. .... D24/27

3,873,016	3/1975	Fishbein .....	227/83
4,076,162	2/1978	Kapitanov et al. ....	128/334.4 R X
4,109,844	8/1978	Becht .....	227/19 X
4,179,057	12/1979	Becht et al. ....	227/19
4,185,762	1/1980	Froehlich .....	227/120 X
4,196,836	4/1980	Becht .....	227/110

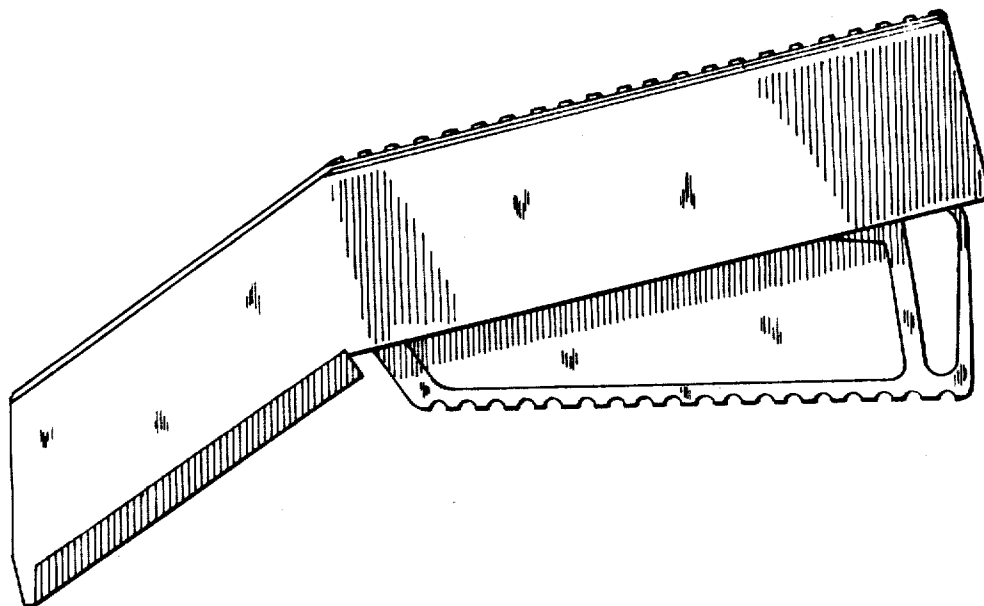
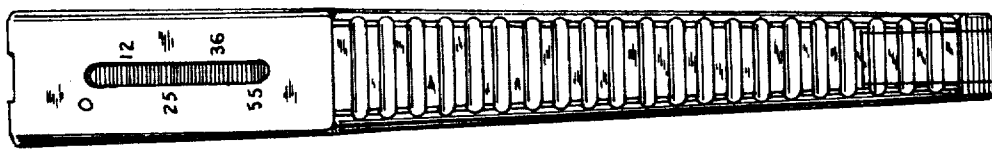
Primary Examiner—Bernard Ansher  
Attorney, Agent, or Firm—Charles F. Costello, Jr.

[57] CLAIM

The ornamental design for a surgical stapling instrument, substantially as shown and described.

DESCRIPTION

FIG. 1 is a top plan view of a surgical stapling instrument showing our new design;  
FIG. 2 is a side elevation thereof;  
FIG. 3 is a fragmentary perspective view of the front portion of the instrument; and  
FIG. 4 is a fragmentary perspective view of the rear portion of the instrument.



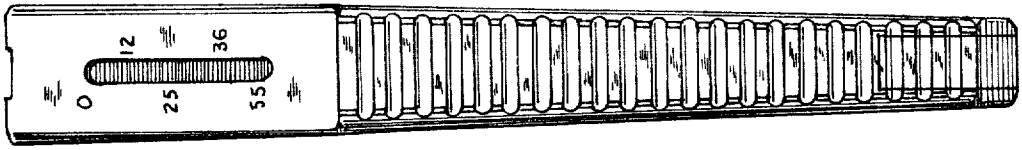


FIG. 1

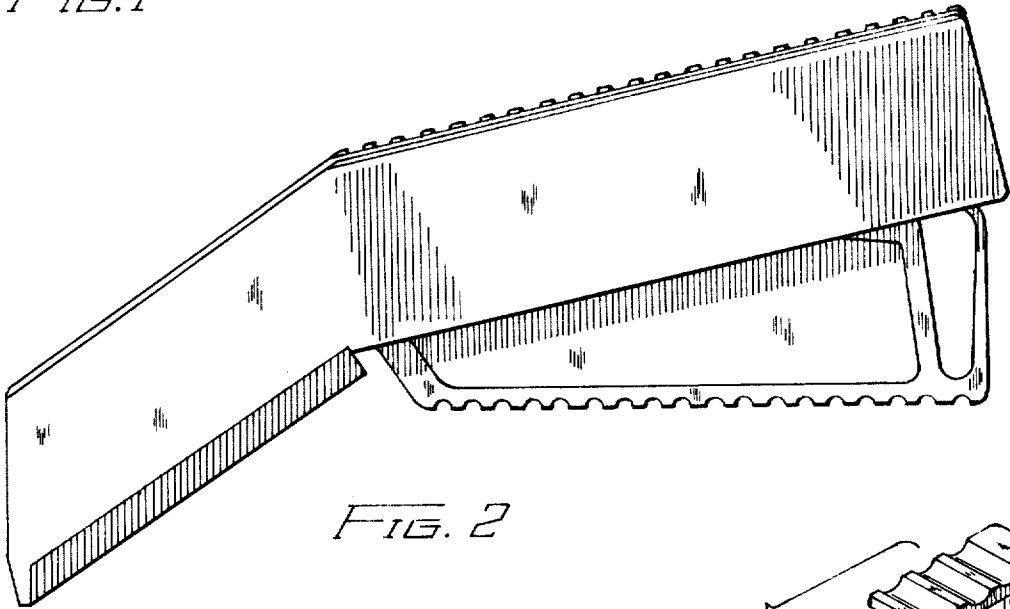


FIG. 2

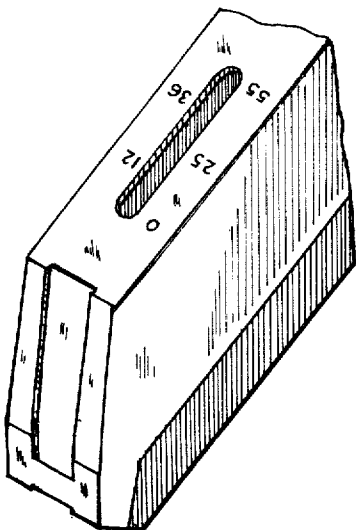


FIG. 3

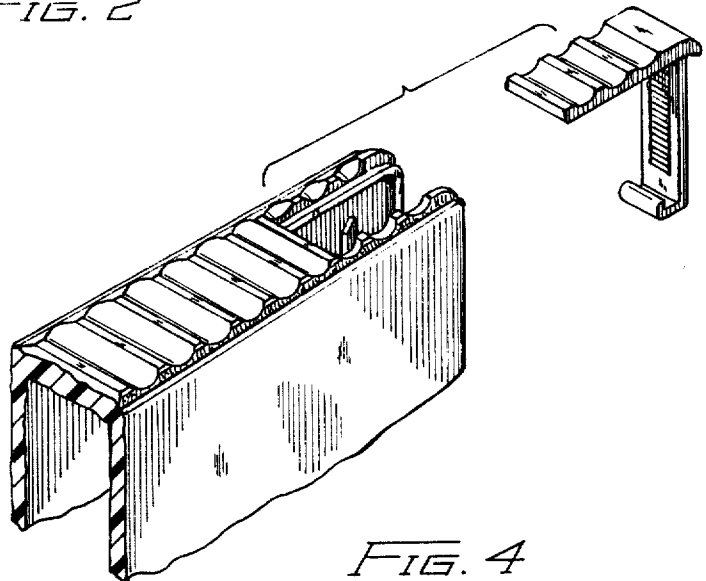


FIG. 4