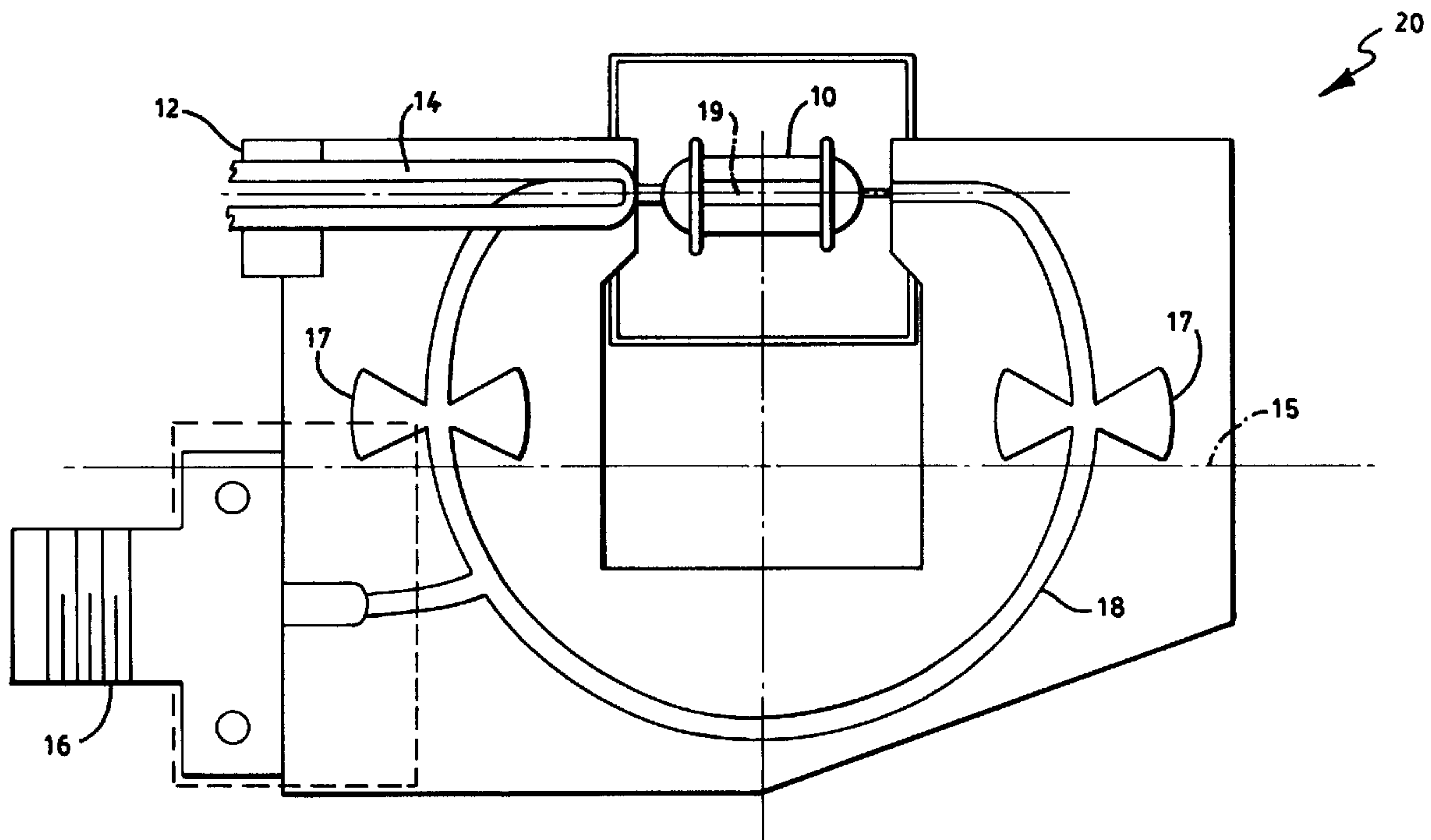




(22) Date de dépôt/Filing Date: 1998/07/21
 (41) Mise à la disp. pub./Open to Public Insp.: 1999/02/11
 (45) Date de délivrance/Issue Date: 2006/12/05
 (30) Priorité/Priority: 1997/08/11 (US08/909,382)

(51) Cl.Int./Int.Cl. *H01J 65/00* (2006.01),
H01J 61/12 (2006.01), *H01J 65/04* (2006.01)
 (72) Inventeurs/Inventors:
DOELL, GERHARD W., US;
LAPATOVICH, WALTER P., US
 (73) Propriétaire/Owner:
OSRAM SYLVANIA INC., US
 (74) Agent: FETHERSTONHAUGH & CO.

(54) Titre : LAMPE DE VIDEOPROJECTION AMELIOREE
 (54) Title: IMPROVEMENT IN VIDEOPROJECTION LAMPS



(57) **Abrégé/Abstract:**

An electrodeless high intensity discharge (EHID) lamp is disclosed for photo optical applications, such as videoprojection. The lamp contains a specific chemical fill that makes it useful as a light source for videoprojectors. The chemical fill completely vaporizes during operation, and comprises Al_3 , InI, and an iodide of a metal selected from the group consisting of Th, Hf and Zr.

ABSTRACT:

An electrodeless high intensity discharge (EHID) lamp is disclosed for photo optical applications, such as videoprojection. The lamp contains a specific chemical
5 fill that makes it useful as a light source for videoprojectors. The chemical fill completely vaporizes during operation, and comprises AlI_3 , InI , and an iodide of a metal selected from the group consisting of Th, Hf and Zr.

IMPROVEMENT IN VIDEOPROJECTION LAMPSField of the Invention:

5 The invention relates to videoprojection lamps and, more particularly, to an electrodeless high intensity discharge lamp for use as a videoprojection light source.

BACKGROUND OF THE INVENTION

10 Videoprojection lamps are light sources having special spectral characteristics. They are generally used for television or data/computer graphics projection. The images created by these systems are developed either by absorption through LCD slides, or by reflection on Digital Micromirror Devices (DMD).

15 In all of these applications, a separation of the red, green, and blue content of the spectrum is required in order to display color information. Therefore, the desired spectrum must contain emission in the whole visible region, and especially in the red portion thereof, at wavelengths between 610 and 720 nm. Mercury and metal halide lamps are not generally usable for this purpose, because most conventional mercury
20 (Hg) and metal halide lamps lack a sufficient red portion in the emission spectrum.

 In addition to the need for a satisfactory red content, a relatively high color temperature of more than 6000° K, is also desirable in order to increase the brightness of the display, so as to provide an image that appears similar to those of conventional
25 CRT displays.

 Electrodeless high intensity discharge (HID) lamps exhibit better maintenance characteristics, due to the absence of problems associated with electrodes, such as electrode melt back, wall blackening, and press seal cracks. The same benefits also
30 inure to electrodeless videoprojection lamps.

 One drawback of using electrodeless high intensity discharge lamps for videoprojection, however, is that the fill chemistries usually employed for electroded

HID lamps are not directly transferable. This is due to the fact that the electrodes of HID lamps influence the emission spectrum.

Discussion of Related Art:

5

Currently, lamps for videoprojection applications are electroded high intensity discharge lamps using a mixture of metal halides and Hg. In some cases, a saturated fill of rare earth iodides, such as DyI_3 and NdI_3 , is used in combination with an alkali iodide such as CsI. These types of chemistries, however, form a condensate that interferes with the optical system.

10 Unsaturated fills containing high pressure mercury, or high vapor pressure metal halides, such as AlI_3 , InI , and HgBr_2 , do not form a condensate at the operating wall temperatures; consequently, they do not negatively affect the optical system.

Electrodeless lamps have been using Hg as the buffer gas, and a saturated mixture of metal halides, such as NaI and ScI_3 , to fill the emission spectrum according to desired photometric properties. So far, unsaturated electrodeless lamps have been limited to a high pressure fill of mercury, xenon or sulfur. Fill chemistries developed for electroded videoprojection lamps that have been utilized in electrodeless lamps have resulted in inferior videoprojection lamp performance and poor photometric characteristics.

20 SUMMARY OF THE INVENTION

Thus, it is desirable to provide an improved videoprojection lamp.

It is also desirable to provide an electrodeless high intensity discharge (EHID) lamp for photo optical applications, such as videoprojection.

25 It is further desirable to provide a chemical fill for an EHID lamp suitable for

videoprojection, and which does not form the usual, undesirable condensate.

According to one aspect of the invention, there is provided a capacitively coupled electrodeless videoprojection lamp comprising: a light transmitting envelope having a volume of between 0.001 and 1.00 cm³; and a fill disposed within the light transmitting envelope which is substantially vaporized during operation, whereby no condensate is left within the light transmitting envelope, the fill comprising AlI₃ : InI : ThI₄ in a weight ratio between about 90:0:10 and about 10:20:70, and further including Hg and a noble gas.

According to another aspect of the invention, there is provided a capacitively coupled electrodeless videoprojection lamp comprising: a light transmitting envelope having a volume of between 0.001 and 1.00 cm³; and a fill disposed within the light transmitting envelope which is substantially vaporized during operation, whereby no condensate is left within the light transmitting envelope, wherein the fill has a chemistry comprising AlI₃ : InI : HfI₄, in a weight ratio between about 90:0:10 and about 10:20:70 and further including Hg and a noble gas.

According to another aspect of the invention, there is provided a capacitively coupled electrodeless videoprojection lamp comprising: a light transmitting envelope having a volume of between 0.001 and 1.00 cm³; and a fill disposed within the light transmitting envelope which is substantially vaporized during operation, whereby no condensate is left within the light transmitting envelope, wherein said fill has a chemistry comprising AlI₃ : InI : ZrI₄ in a weight ratio of between about 90:0:10 and about 10:20:70 and further comprising Hg and a noble gas.

There is disclosed an electrodeless high intensity discharge (EHID) lamp for photo optical applications, such as videoprojection. The lamp contains a specific chemical fill that makes it useful as a light source for videoprojectors. The volume of the lamp varies between approximately 0.001 cm³ and 1.000 cm³, with a preferred volume of approximately 0.012 cm³.

The input power of the lamp varies between approximately 20 Watts and 500 Watts, with 100 Watts being preferable. The EHID lamp, made from vitreous silica, is approximately cylindrical in shape. Such a lamp construction has been described previously in United States Patent Nos. 5,070,277 and 5,113,121. The fill consists of a mixture of AlI_3 , InI and ThI_4 . This mixture is introduced into the EHID lamp, together with Hg and a buffer gas, such as Ar, Kr or Xe at a cold fill pressure between approximately 5 and 50 torr. Instead of Hg, high pressure Xe can also be used as a buffer gas, providing a Hg-free metal halide lamp that is environmentally friendly.

The weight ratio of AlI_3 : InI : ThI_4 in the fill varies between approximately 90:0:10 and 10:20:70. The preferred composition in weight percent of AlI_3 : InI : ThI_4 is 69:11:20.

BRIEF DESCRIPTION OF THE DRAWINGS

FIG. 1 illustrates a schematic view of a typical electrodeless high intensity discharge (EHID) lamp and power applicator assembly in accordance with this invention;

FIG. 2 depicts a graphical view of an emission spectrum and photometric characteristics of an electrodeless high intensity discharge (EHID) lamp containing a fill chemistry in accordance with the invention;

20

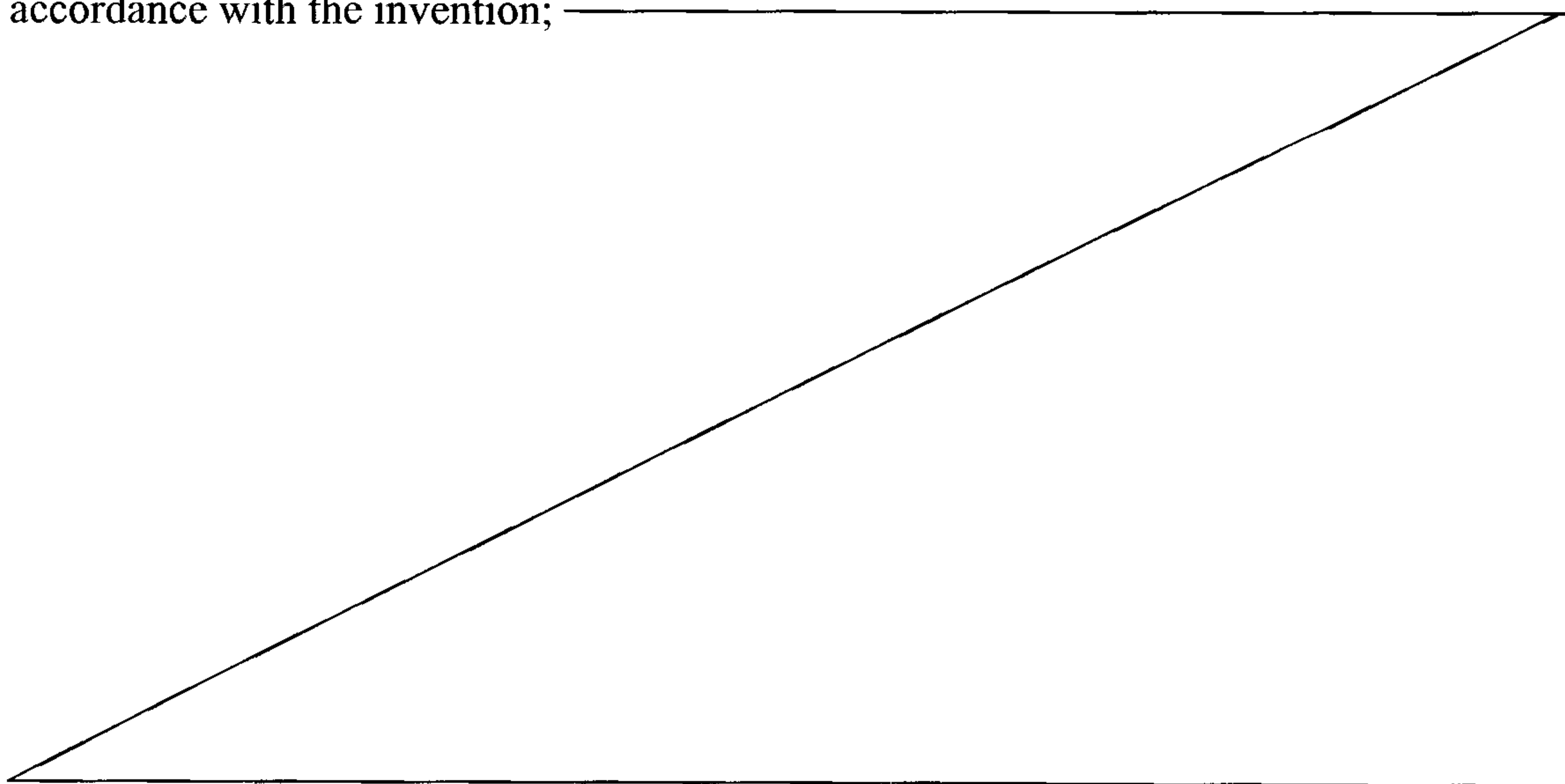


FIG. 3 shows a graphical view of an emission spectrum and photometric characteristics of an electrodeless high intensity discharge (EHID) lamp containing a fill chemistry intended for electroded lamps;

5

FIGS. 4 and 5 illustrate graphical views of color temperature variation as a function, respectively, of AlI_3 and ThI_4 ; and

FIG. 6 depicts an emission spectrum and photometric characteristics of an electrodeless high intensity discharge lamp containing a fill chemistry of AlI_3 , InI , HfI_4 , Hg and Ar .

10

BEST MODE FOR CARRYING OUT THE INVENTION

15

Generally speaking, the invention features an electrodeless high intensity discharge (EHID) lamp with a chemical fill suitable for videoprojection. The fill of this invention does not form the usual, undesirable condensate. At operating temperature, the fill components are completely vaporized, and do not interfere with the optical imaging in a negative way.

20

Now referring to FIG. 1, a typical electrodeless high intensity discharge lamp and power applicator assembly 20 is illustrated in accordance with this invention. The lamp and power applicator assembly 20 comprises a ceramic substrate 15, and a support block 12 that carries the lamp stem 14 of a light-transmitting envelope 10 of the lamp. A high frequency connector 16 provides power to the assembly 20 via a transmission line 18. Tuning stubs 17 are used to adjust the impedance to ensure maximum power transfer to the light-transmitting envelope 10. A discharge 19 is emitted from the center portion of the light-transmitting envelope 10, containing a chemical fill.

25
30

The volume of the lamp 10 varies between approximately 0.001 cm^3 and 1.000 cm^3 , with a preferred volume of approximately 0.012 cm^3 . The input power of the lamp 10 varies between approximately 20 Watts and 500 Watts, with 100 Watts being

preferable. The EHID lamp is made from vitreous silica and is approximately cylindrical in shape. Such a lamp construction has been previously described in United States Patent Nos. 5,070,277 and 5,113,121.

5 The fill of this invention consists of a mixture of AlI_3 , InI and ThI_4 . This mixture is introduced into the EHID lamp, together with Hg and a buffer gas, such as Ar, Kr or Xe at a cold fill pressure between approximately 5 and 50 torr. Instead of Hg, high pressure Xe can also be used as a buffer gas, providing a Hg-free metal halide lamp that is environmentally friendly.

10

The weight ratio of AlI_3 : InI : ThI_4 in the fill varies between approximately 90:0:10 and 10:20:70. The preferred composition in weight percent of AlI_3 : InI : ThI_4 is 69:11:20.

15

Referring to FIG. 2, an emission spectrum is illustrated for a cylindrical lamp 2mm ID, 4mm OD and 10 mm internal length EHID envelope 10 (FIG. 1). The envelope 10 is filled with $2.65 \text{ mg}\cdot\text{cm}^{-3}$ of the preferred chemistry, $22.6 \text{ mg}\cdot\text{cm}^{-3}$ of Hg, and 5 torr of argon, running at an input power of 45 Watts.

20

Referring to FIG. 3, a comparison emission spectrum of a second EHID lamp 10 at the same power is shown. This envelope 10 was filled with a chemical fill presently used in electroded videoprojection lamps consisting of AlI_3 , InI , HgBr_2 , Hg and argon. In a preferred embodiment the arc tube is smaller, approximately $2 \times 3 \times 6$ mm. Also, the envelope would be filled with approximately 4.8 mg cm^{-3} of the preferred chemistry, 13.4 mg cm^{-3} of Hg, and about 5 torr of argon, running at an input power of 100 W.

25

30

It can be seen from FIG. 3 that the chemistry designed for electroded videoprojection lamps is not suitable for use in electrodeless lamps. The emission is centered mostly in the UV and blue region of the spectrum, with almost no emission in the red portion. The modified chemistry of the instant invention, by comparison, has a continuous emission in the whole visible spectrum, with an excellent red portion. Moreover, the general color rendering index Ra is very high (97). The color

temperature is close to 8000° K, as desired in video projection lamps. The luminous efficacy of this lamp was about 70 lumen per watt. This value is very high, considering that the color temperature requirements for the lamp shifted the maximum of the emission spectrum to the blue portion of the visible spectrum, where eye sensitivity is reduced. The color temperature of the lamp can be changed by modifying the amount of AlI_3 and ThI_4 in the fill.

Referring to FIGS. 4 and 5, a graphical view is shown which demonstrates that the color temperature can be lowered by almost 3000° K, when increasing the AlI_3 and ThI_4 amounts in the envelope 10. Therefore, modified requirements for color temperature can be met by simple change of the fill composition without any change in the other lamp parameters. This is a valuable feature.

The fill of this invention does not form the usual, undesirable condensate. At operating wall temperature, the fill components are completely vaporized, and do not form a condensate which may interfere negatively with the optical imaging. This is referred to as operation in an unsaturated mode.

A high color temperature is desired for typical video, but a lower color temperature source may be desired, when displaying computer graphics.

Similar lamp performance can be achieved by using a fill chemistry where ThI_4 is replaced by HfI_4 or ZrI_4 , which are chemically very similar to ThI_4 , and have comparable emission characteristics.

Referring to FIG. 6, there is shown a spectrum of an envelope 10 filled with $6.9 \text{ mg}\cdot\text{cm}^{-3}$ of a chemistry consisting of $\text{AlI}_3:\text{InI}_3:\text{HfI}_4$ in a ratio of 67:10:23 (wt.%), $16.6 \text{ mg}\cdot\text{cm}^{-3}$ of Hg and 5 torr of Ar. The photometric characteristics such as color temperature, color coordinates and red, green and blue content of the emission are very similar to lamps containing ThI_4 , thus making them as useful for videoprojection applications as Th-containing lamps.

Since other modifications and changes varied to fit particular operating

EXPRESS MAIL NO.: EM337 921 408US

ATTORNEY DOCKET NO.: 96-1-252

PAGE 7 OF 11

requirements and environments will be apparent to those skilled in the art, the invention is not considered limited to the example chosen for purposes of disclosure, and covers all changes and modifications which do not constitute departures from the true spirit and scope of this invention.

THE EMBODIMENTS OF THE INVENTION IN WHICH AN EXCLUSIVE PROPERTY OR PRIVILEGE IS CLAIMED ARE DEFINED AS FOLLOWS.

1. A capacitively coupled electrodeless videoprojection lamp comprising:
5 a light transmitting envelope having a volume of between 0.001 and 1.00 cm³; and
a fill disposed within said light transmitting envelope which is
substantially vaporized during operation, whereby no condensate is left within the light
transmitting envelope, said fill comprising AlI₃ : InI : ThI₄, in a weight ratio between
about 90:0:10 and about 10:20:70, and further including Hg and a noble gas.
- 10 2. The lamp of Claim 1 wherein said noble gas is selected from the group of gases consisting
of Ar, Kr, and Xe.
3. The lamp of Claim 1 wherein said noble gas comprises Ar.
4. A capacitively coupled electrodeless videoprojection lamp comprising:
15 a light transmitting envelope having a volume of between 0.001 and 1.00 cm³; and
a fill disposed within said light transmitting envelope which is
substantially vaporized during operation, whereby no condensate is left within the light
transmitting envelope, wherein said fill has a chemistry comprising AlI₃:InI:HfI₄ in a
weight ratio between about 90:0:10 and about 10:20:70 and further comprising Hg and
a noble gas.
- 20 5. The lamp of Claim 4 wherein said noble gas is selected from the group consisting of Ar, Kr,
and Xe.
6. The lamp of claim 4, wherein said noble gas comprises Ar.
7. A capacitively coupled electrodeless videoprojection lamp comprising:
25 a light transmitting envelope having a volume of between 0.001 and 1.00 cm³; and
a fill disposed within said light transmitting envelope which is
substantially vaporized during operation, whereby no condensate is left within the light
transmitting envelope, wherein said fill has a chemistry comprising AlI₃ : InI : ZrI₄ in a
weight ratio between about 90:0:10 and about 10:20:70 and further comprising Hg and
a noble gas.
- 30 8. The lamp of claim 7, wherein said noble gas is selected from a group of noble gases
consisting of Ar, Kr and Xe.
9. The lamp of claim 7, wherein said noble gas comprises Ar.

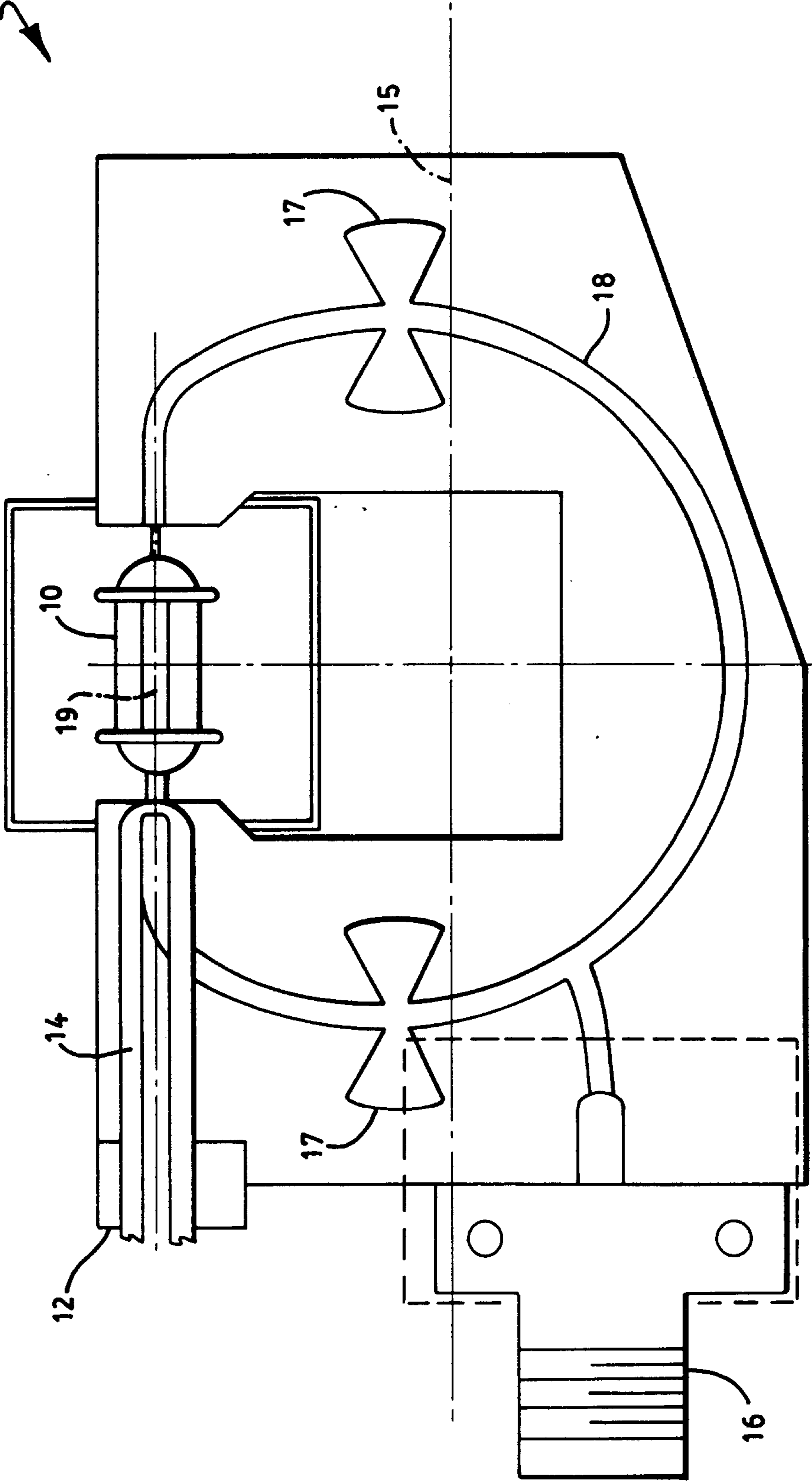
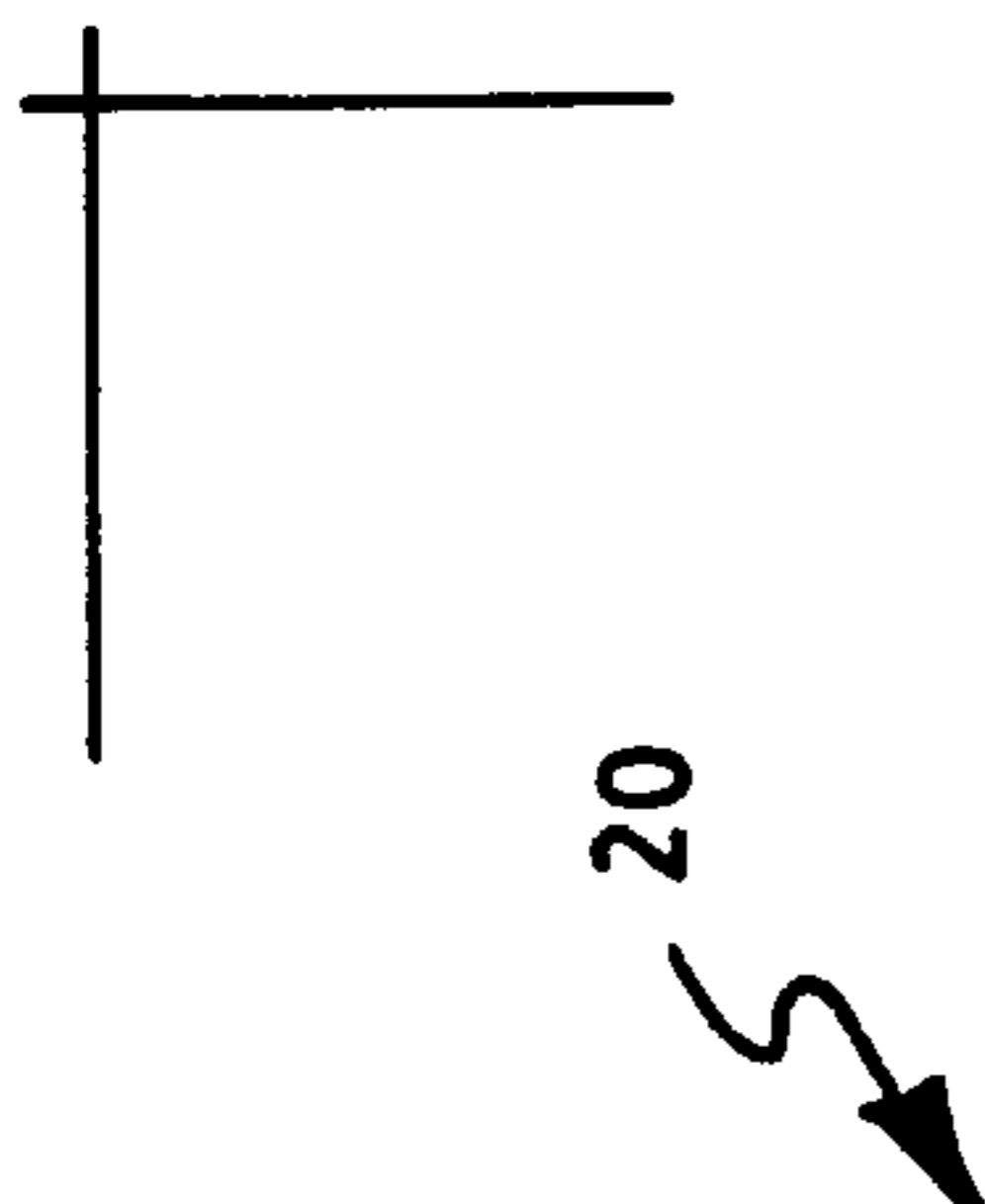
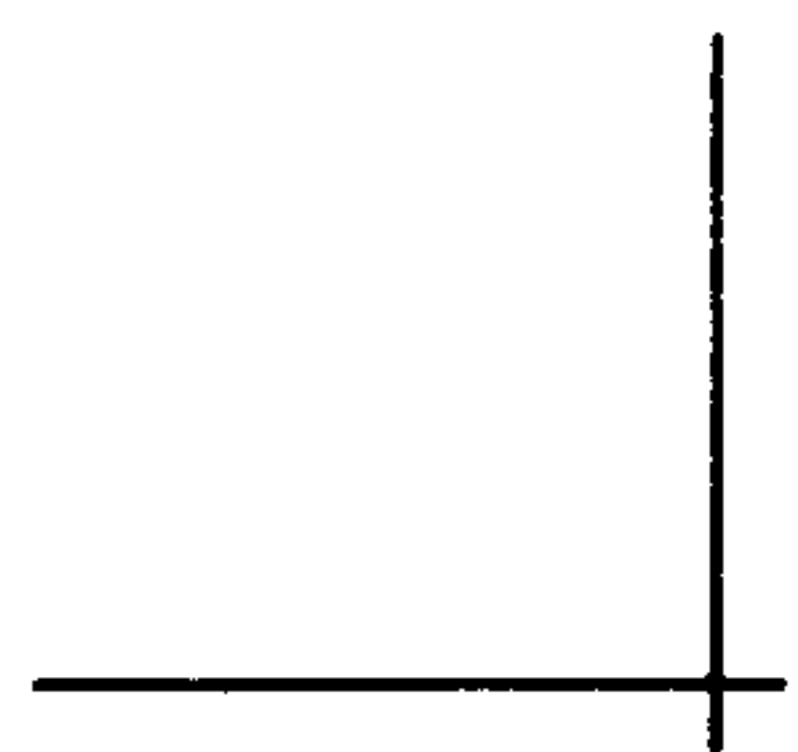


FIG. 1



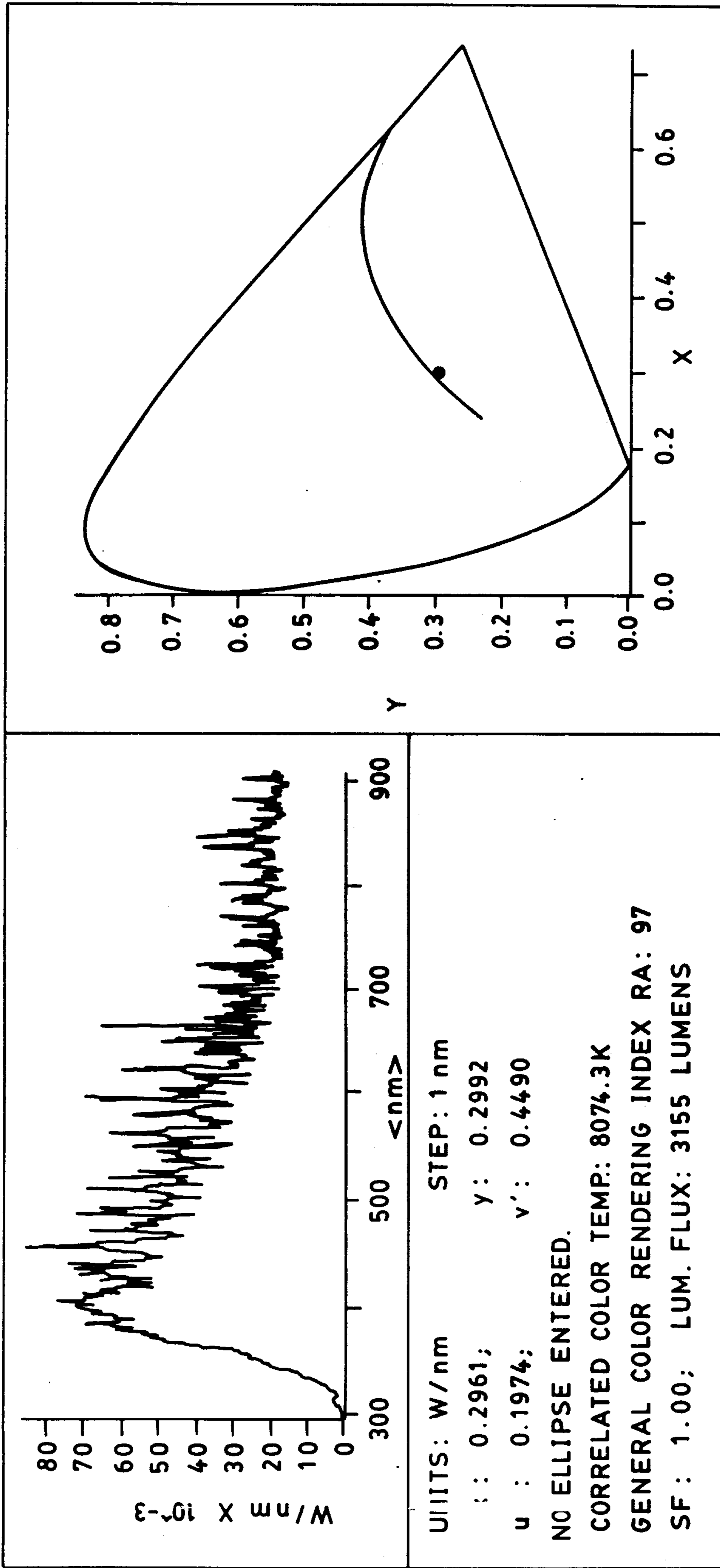


FIG. 2

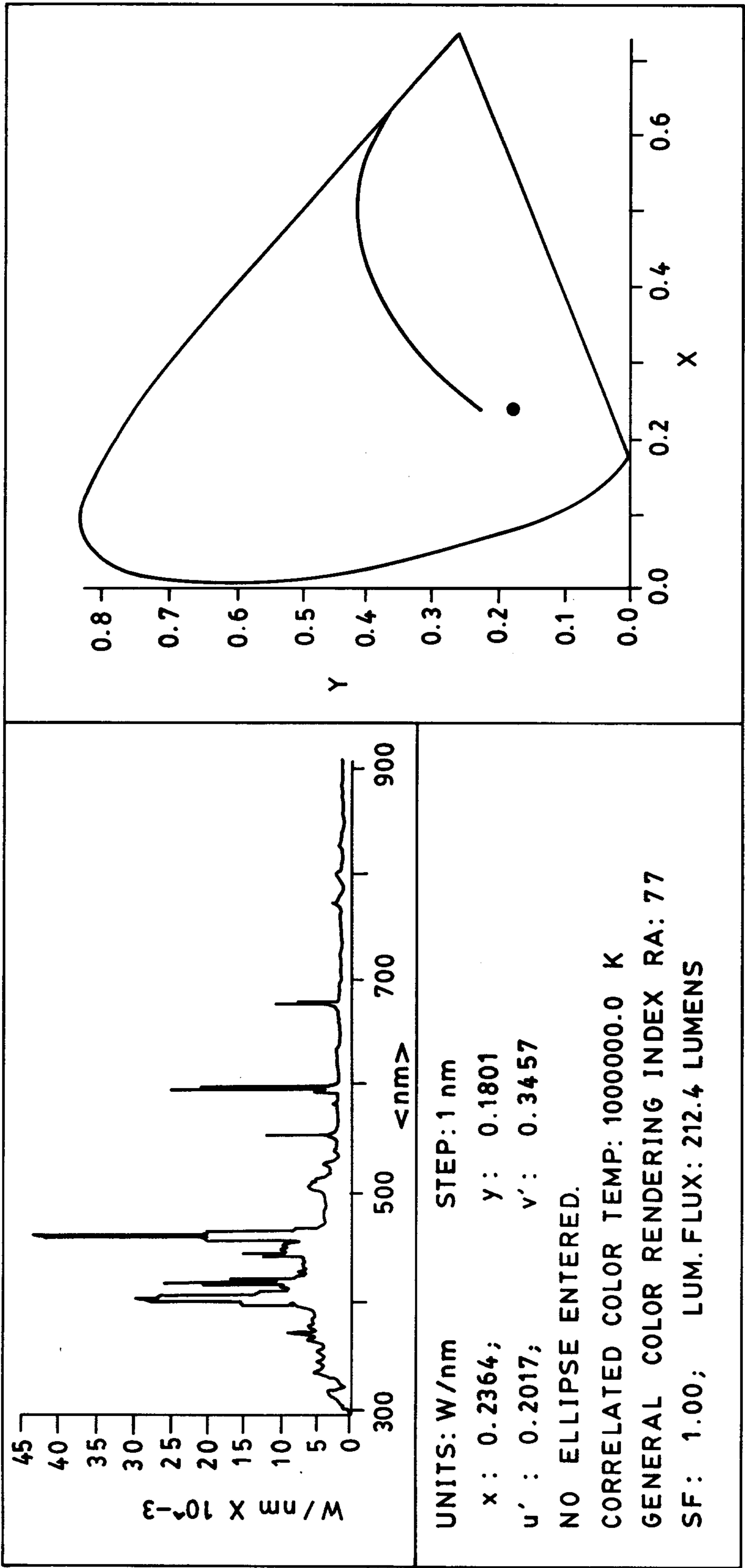


FIG. 3

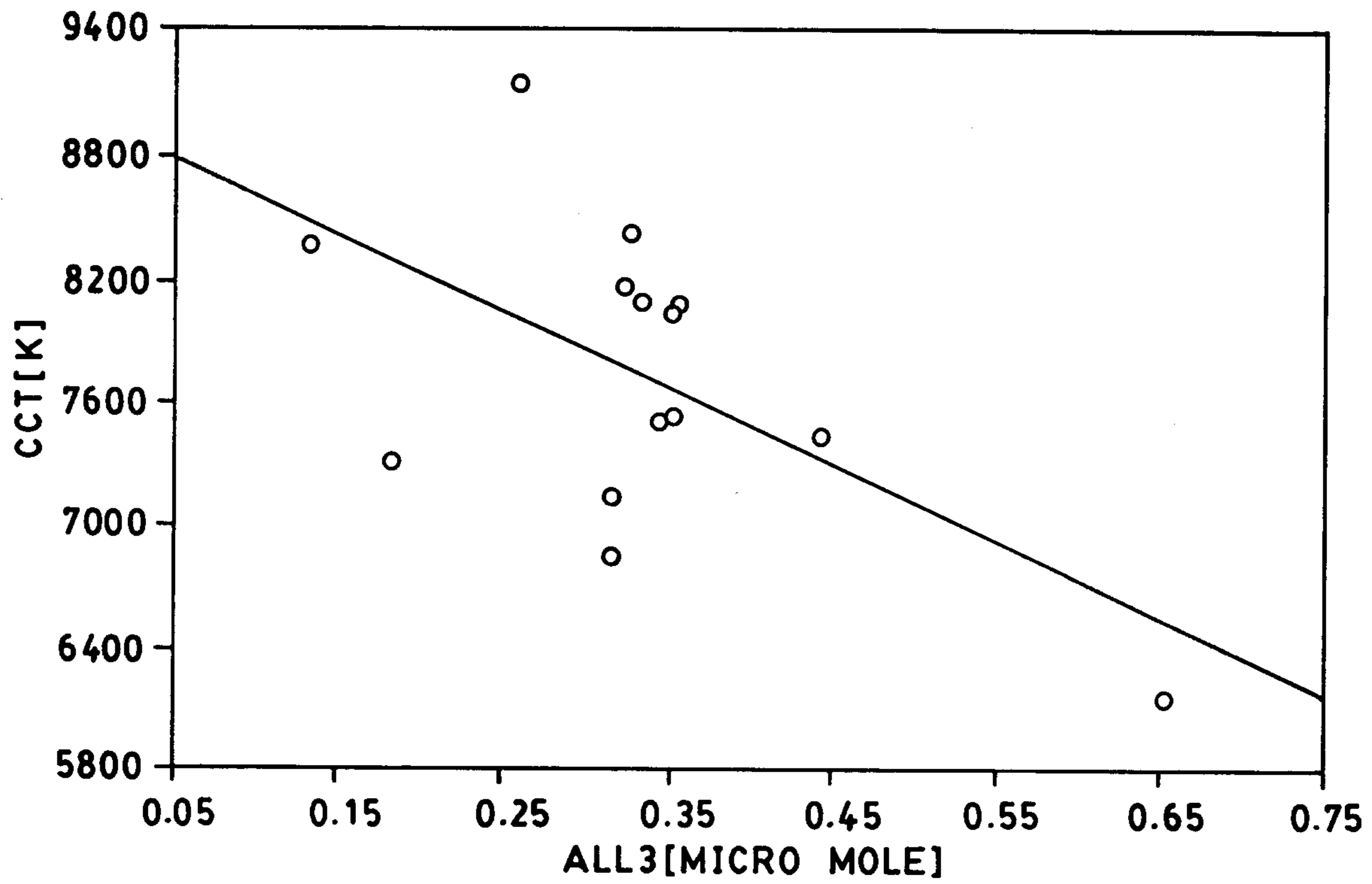


FIG. 4

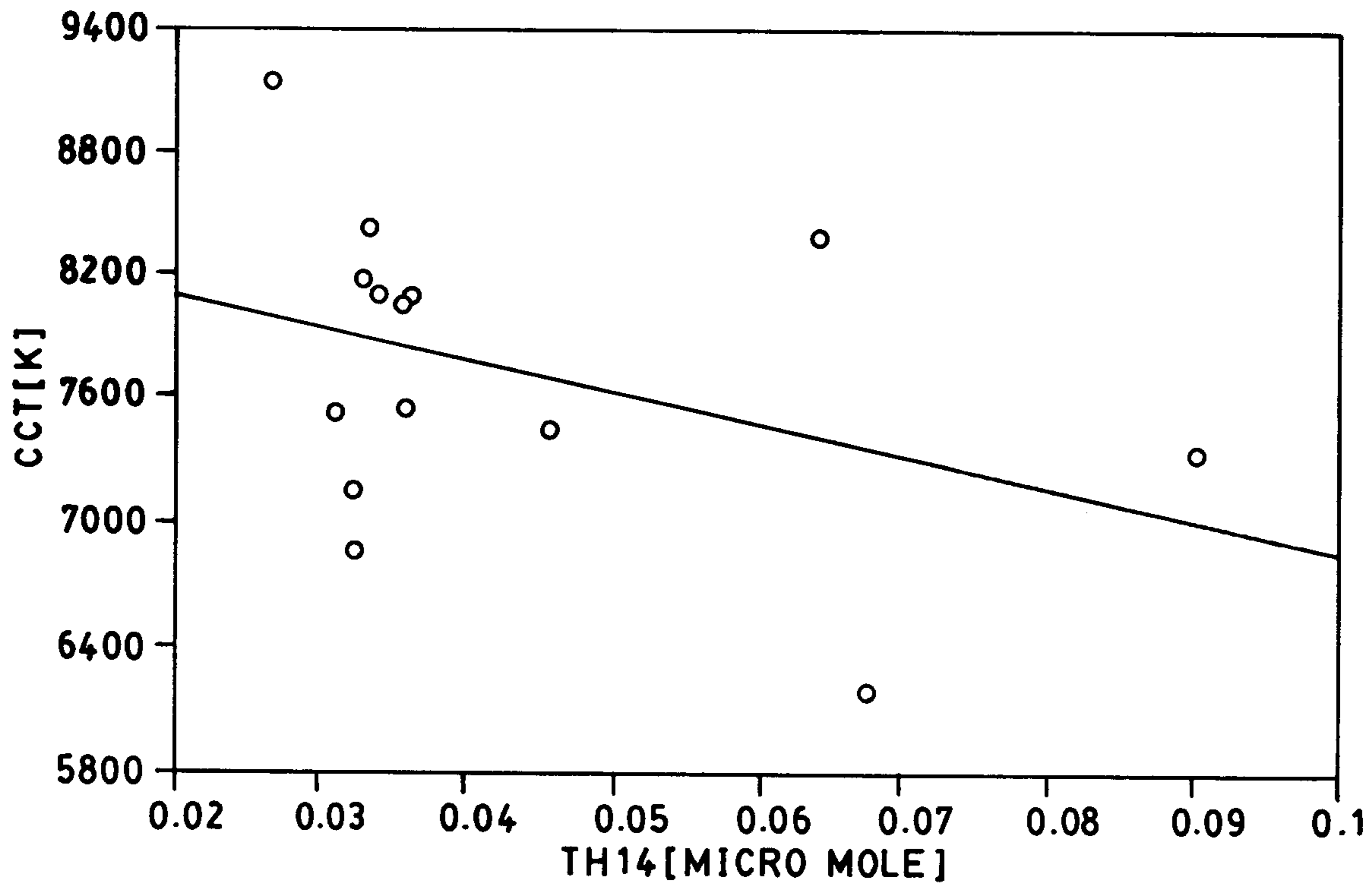


FIG. 5

Patent Agents
Fetherstonhaugh & Co.

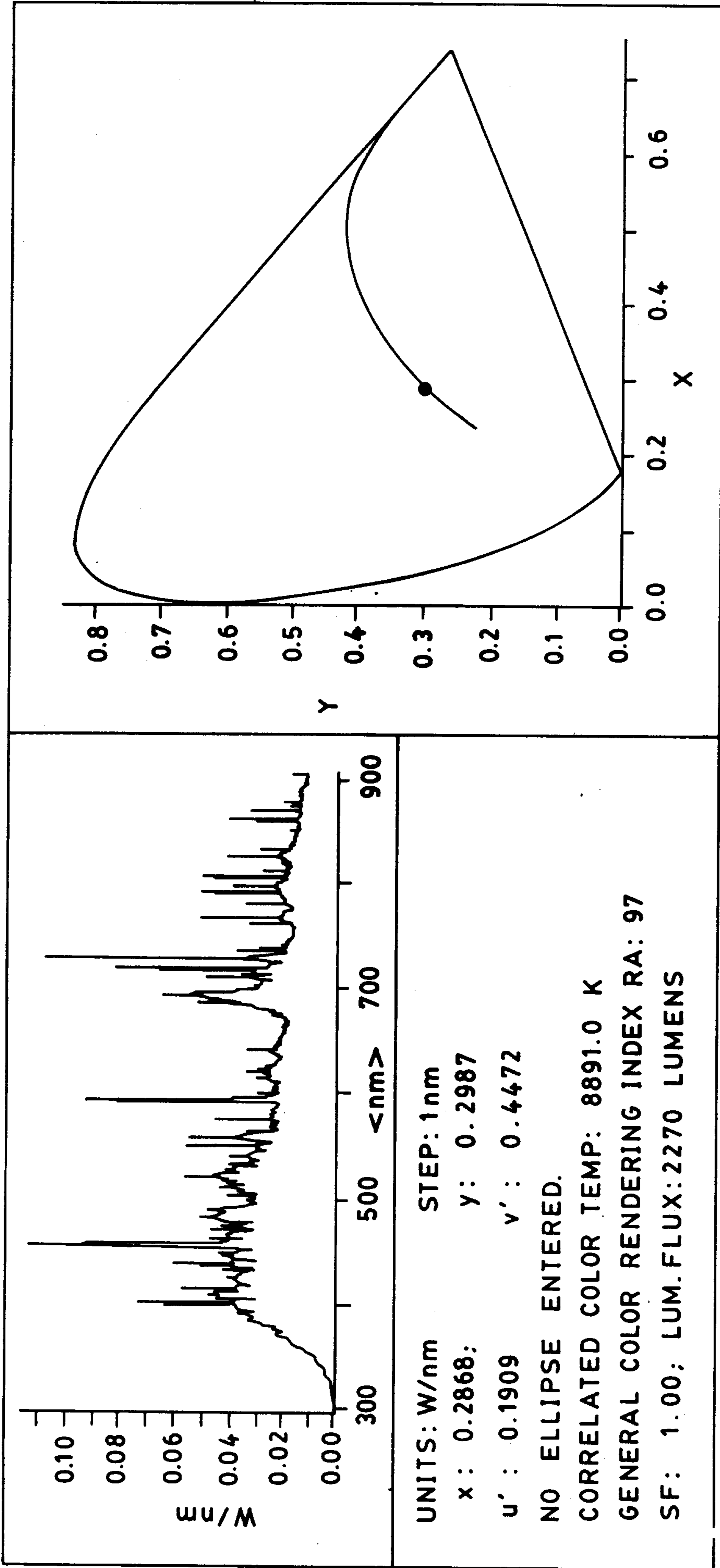


FIG. 6

