



US00D417561S

**United States Patent** [19]  
**Liu**

[11] **Patent Number: Des. 417,561**

[45] **Date of Patent: \*\* Dec. 14, 1999**

[54] **FOLDING CHAIR**

[76] Inventor: **Lausan Chung Hsin Liu**, No. 243,  
Chien-Kuo Rd., Hsin-Tien City, Taipei  
Hsien, Taiwan

[\*\*] Term: **14 Years**

[21] Appl. No.: **29/095,279**

[22] Filed: **Oct. 20, 1998**

[51] **LOC (6) Cl.** ..... **06-01**

[52] **U.S. Cl.** ..... **D6/368**

[58] **Field of Search** ..... D6/334, 335, 367,  
D6/368, 374, 375, 379, 500, 501, 502;  
297/27, 28, 35

[56] **References Cited**

**U.S. PATENT DOCUMENTS**

Re. 20,181	11/1936	Freedman	297/27
D. 281,933	12/1985	Deconnck	D6/368
D. 358,719	5/1995	Vine	D6/368
D. 370,133	5/1996	Grosfillex	D6/368
D. 403,872	1/1999	Grosfillex	D6/368
1,955,490	4/1934	Emerson	297/39

2,097,500	11/1937	Oermann	297/27
2,333,761	11/1943	Beeskow	297/27
2,638,970	5/1953	Harber	297/39
3,624,814	11/1971	Borichesky	297/39
5,855,409	1/1999	Tseng	297/27

*Primary Examiner*—Doris V. Coles  
*Assistant Examiner*—Mimosa De  
*Attorney, Agent, or Firm*—Bacon & Thomas, PLLC

[57] **CLAIM**

The ornamental design for folding chair, as shown and described.

**DESCRIPTION**

FIG. 1 is a perspective view of a folding chair showing our new design thereof;  
FIG. 2 is a side elevational view, it being understood that the opposite side is a mirror image thereof;  
FIG. 3 is a front elevational view thereof;  
FIG. 4 is a rear elevational view thereof;  
FIG. 5 is a top plan view thereof; and,  
FIG. 6 is a bottom plan view thereof.

**1 Claim, 4 Drawing Sheets**





Fig. 1

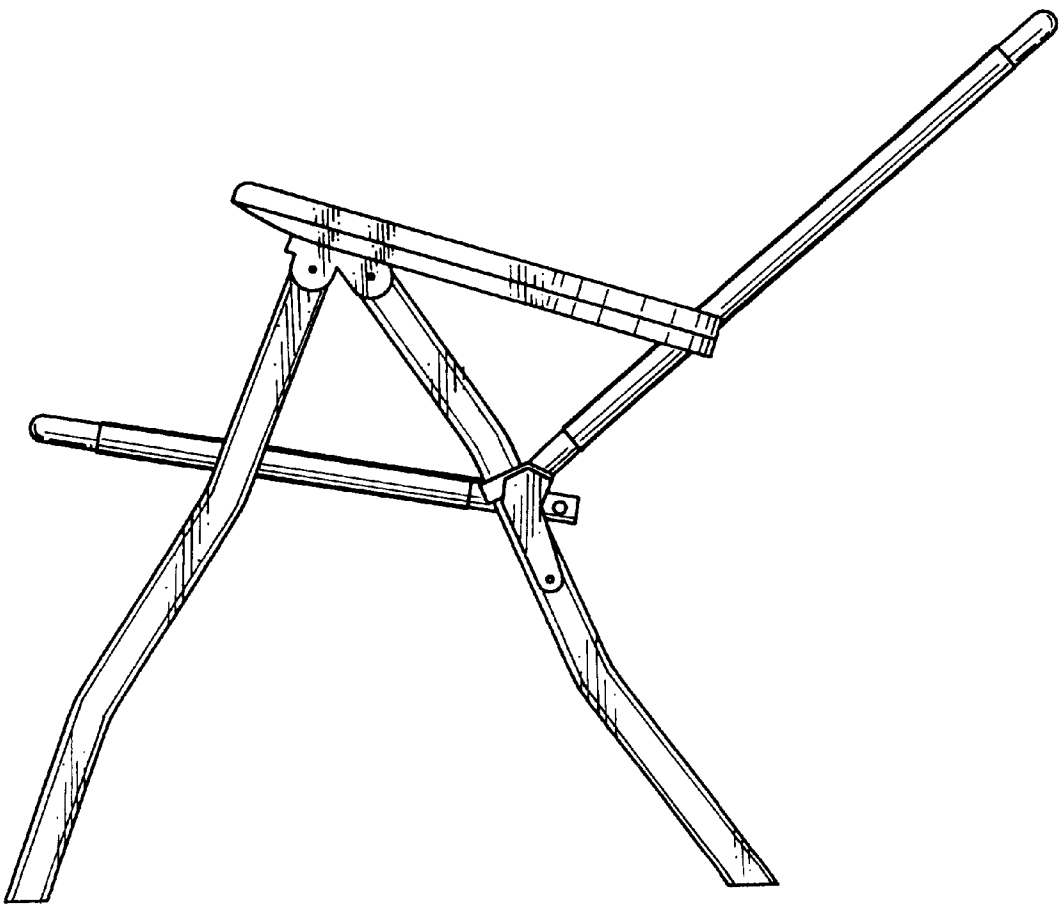


Fig. 2

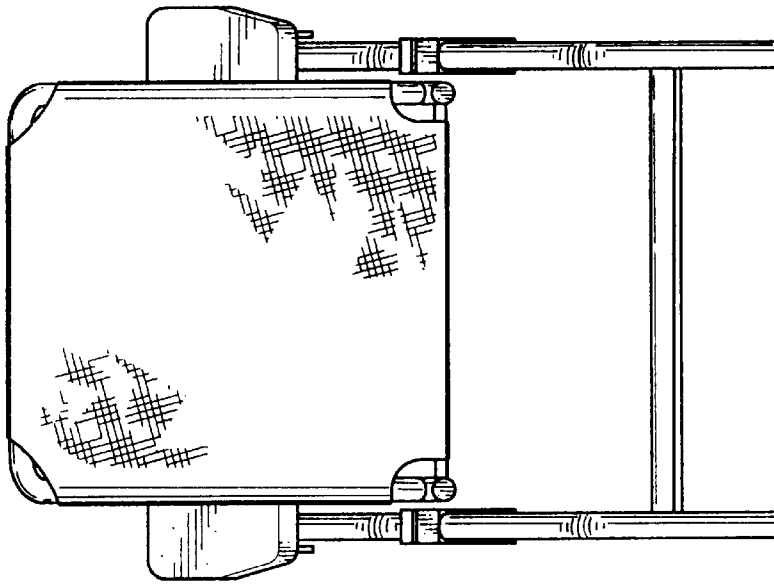


Fig. 4

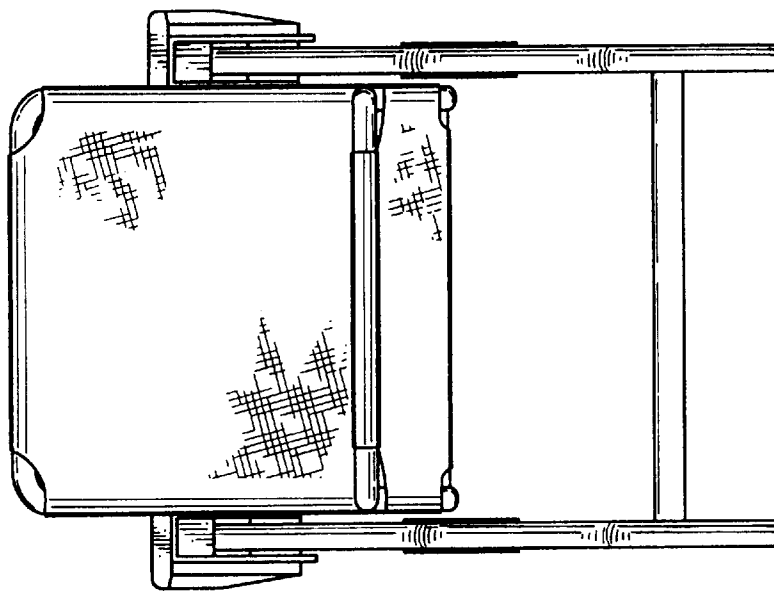


Fig. 3

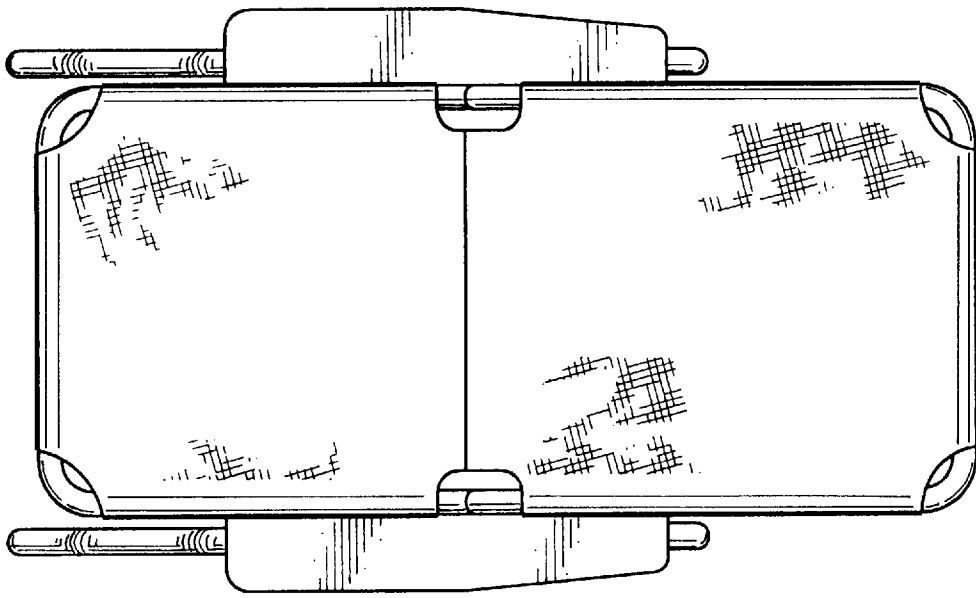


Fig. 5

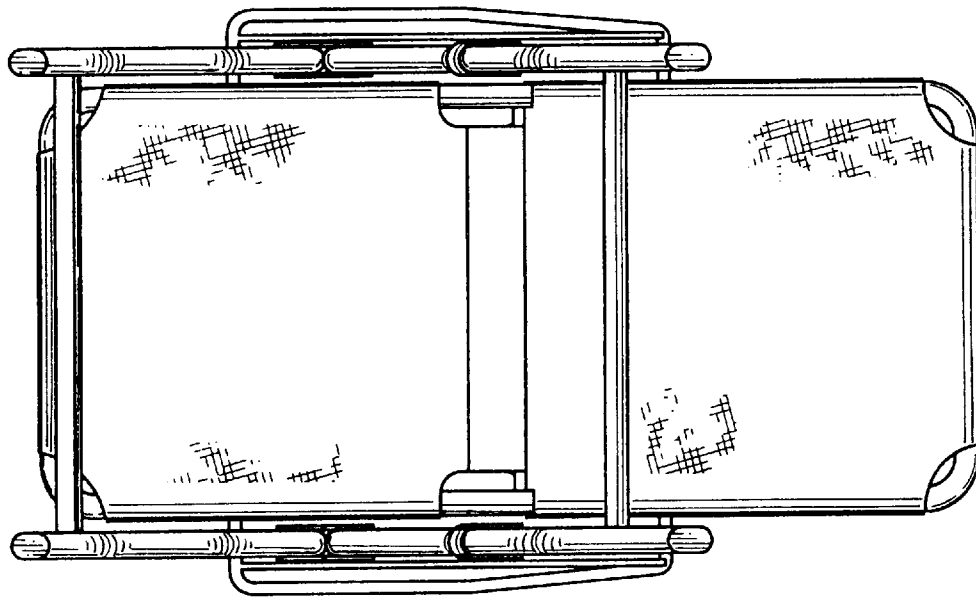


Fig. 6