



US00D656458S

(12) **United States Design Patent**
Yamaguchi

(10) **Patent No.:** **US D656,458 S**

(45) **Date of Patent:** **** Mar. 27, 2012**

(54) **BATTERY**

(76) Inventor: **Katsuhiro Yamaguchi, Takasaki (JP)**

(**) Term: **14 Years**

(21) Appl. No.: **29/398,558**

(22) Filed: **Aug. 2, 2011**

(30) **Foreign Application Priority Data**

Feb. 16, 2011 (JP) 2011-005107

(51) **LOC (9) Cl.** **13-02**

(52) **U.S. Cl.** **D13/103**

(58) **Field of Classification Search** D13/102-106,
D13/110, 118-119, 184; 429/96-100, 163,
429/176

See application file for complete search history.

(56) **References Cited**

U.S. PATENT DOCUMENTS

D403,297 S *	12/1998	Nakazawa	D13/103
D427,140 S *	6/2000	Luh et al.	D13/103
D427,141 S *	6/2000	Luh et al.	D13/103
D427,142 S *	6/2000	Luh et al.	D13/103

6,326,102 B1 *	12/2001	Getz	429/132
D481,993 S *	11/2003	Searle	D13/103
D532,372 S *	11/2006	Keating	D13/108
D582,843 S *	12/2008	Linardos	D13/103
D593,488 S *	6/2009	Harrison et al.	D13/103
D598,844 S *	8/2009	Harrison et al.	D13/103
D625,264 S *	10/2010	Fredell et al.	D13/119
D633,034 S *	2/2011	Heine et al.	D13/103
D633,035 S *	2/2011	Heine et al.	D13/103

* cited by examiner

Primary Examiner — Rosemary K Tarcza

(74) *Attorney, Agent, or Firm* — Banner & Witcoff, Ltd.

(57) **CLAIM**

The ornamental design for a battery, as shown and described.

DESCRIPTION

FIG. 1 is a top perspective view for a battery showing my new design;

FIG. 2 is a front view thereof;

FIG. 3 is a rear view thereof;

FIG. 4 is a right side view thereof;

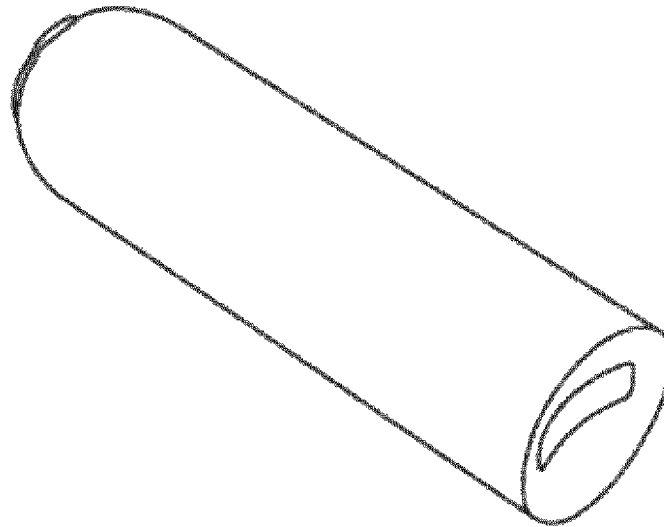
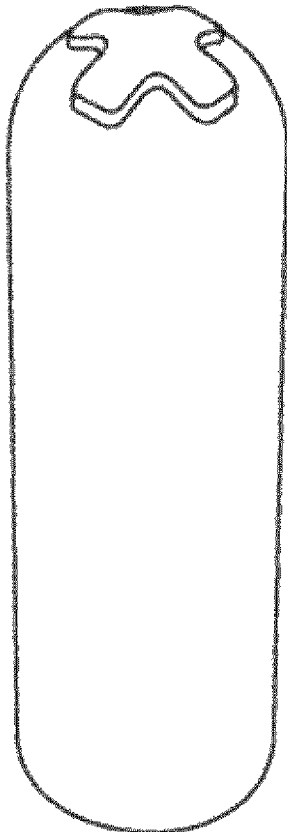
FIG. 5 is a left side view thereof;

FIG. 6 is a top view thereof;

FIG. 7 is a bottom view thereof; and,

FIG. 8 is a bottom perspective view thereof.

1 Claim, 8 Drawing Sheets



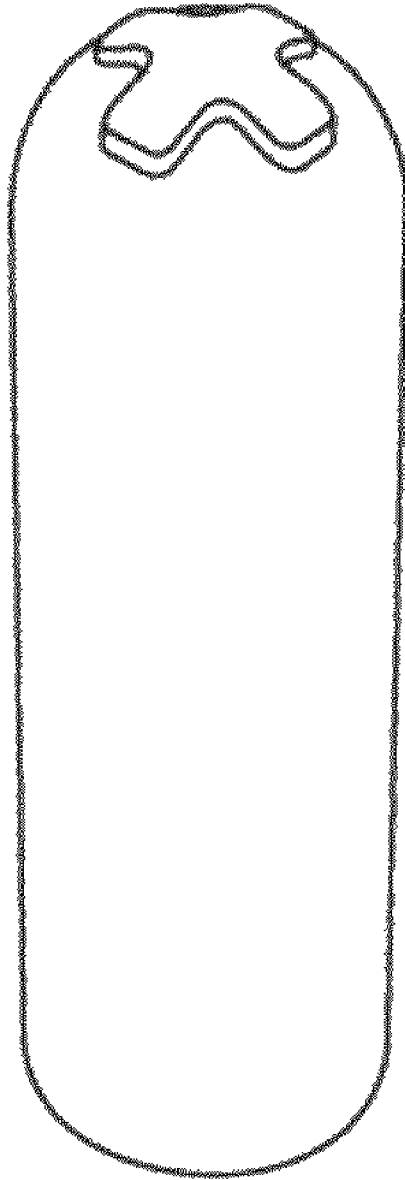


FIG. 1

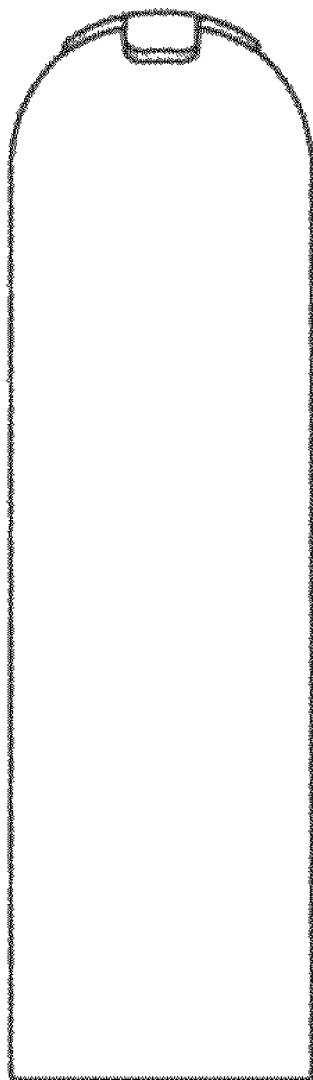


FIG. 2

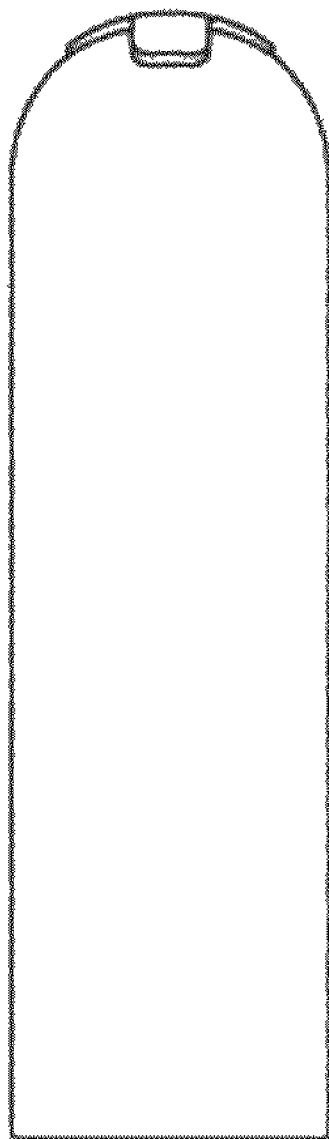


FIG. 3

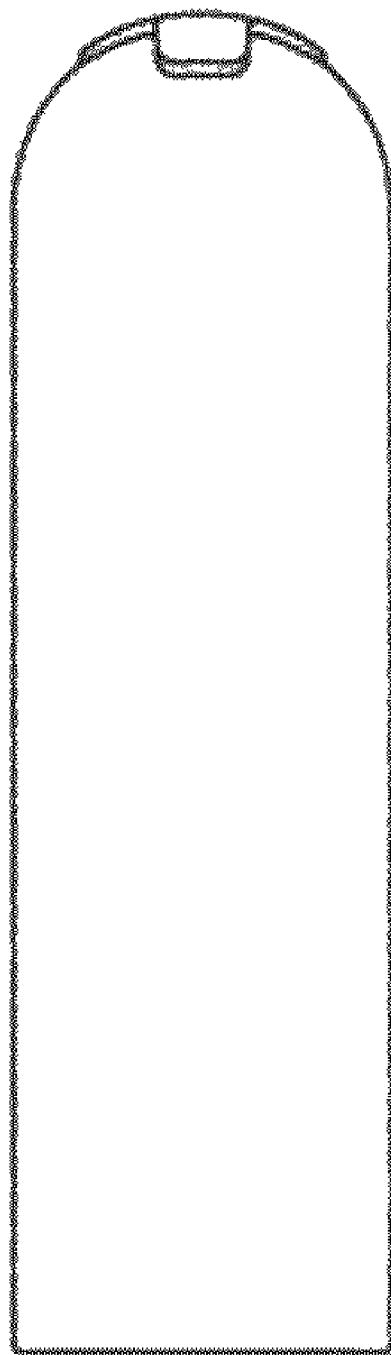


FIG. 4

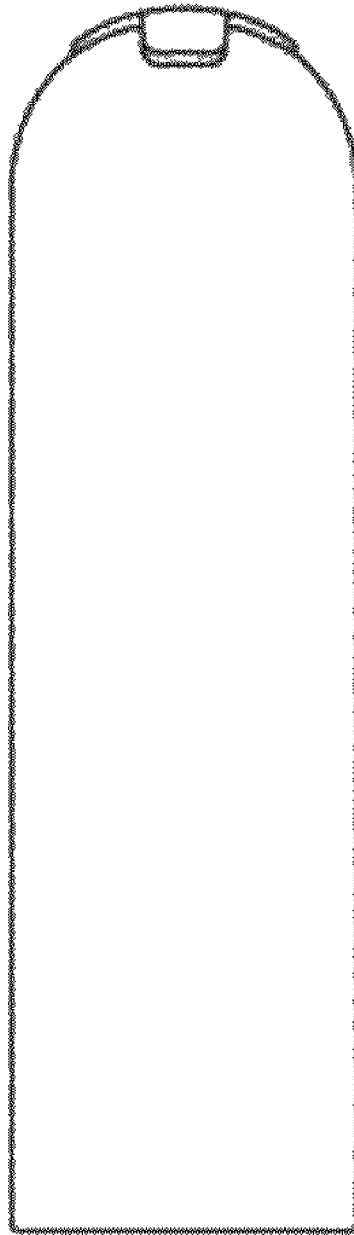


FIG. 5

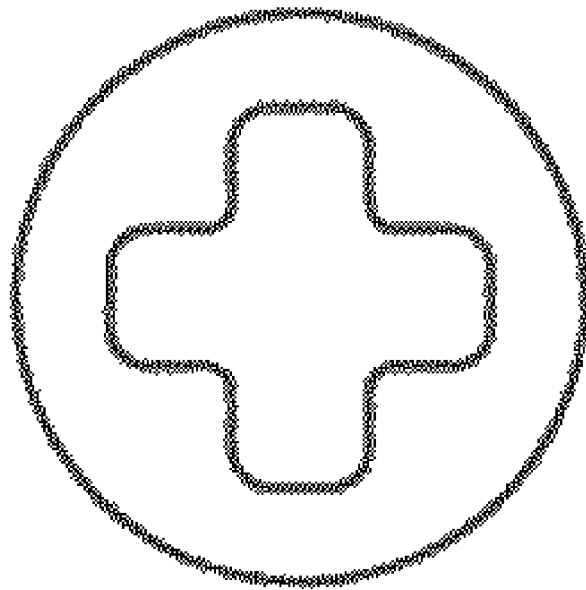


FIG. 6

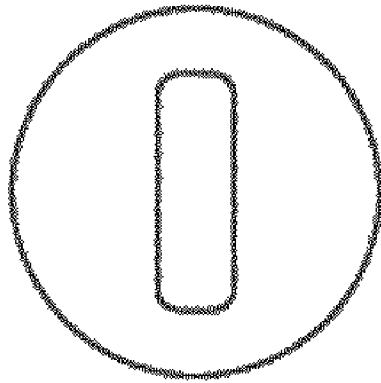


FIG. 7

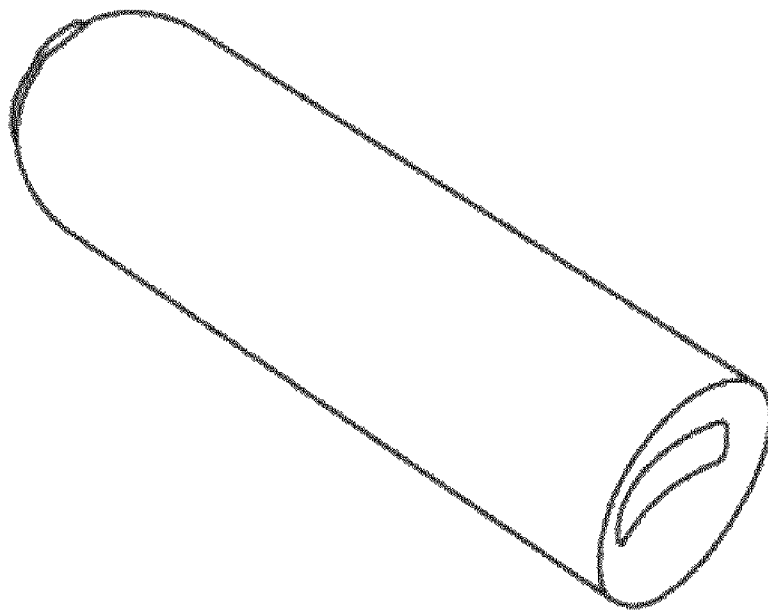


FIG. 8