



US0D1011986S

(12) **United States Design Patent**  
**Liu et al.**

(10) **Patent No.:** **US D1,011,986 S**

(45) **Date of Patent:** **\*\* Jan. 23, 2024**

(54) **VEHICLE WHEEL**

(71) Applicant: **CITIC Dicastal Co., Ltd.**,  
Qinhuangdao (CN)

(72) Inventors: **Zhichong Liu**, Qinhuangdao (CN); **Zuo Xu**, Qinhuangdao (CN); **Hanqi Wu**, Qinhuangdao (CN); **Zhihua Zhu**, Qinhuangdao (CN)

(73) Assignee: **CITIC Dicastal Co., Ltd.**,  
Qinhuangdao (CN)

(\*\*) Term: **15 Years**

(21) Appl. No.: **29/813,223**

(22) Filed: **Oct. 27, 2021**

(51) **LOC (14) Cl.** ..... **12-16**

(52) **U.S. Cl.**

USPC ..... **D12/211**; D21/563

(58) **Field of Classification Search**

USPC ..... D12/202, 204–213, 501; D21/495, 563  
CPC .... B60B 1/00; B60B 1/02; B60B 1/08; B60B 1/12; B60B 3/00; B60B 3/001; B60B 3/002; B60B 3/02; B60B 3/04; B60B 3/06; B60B 3/10; B60B 5/00; B60B 7/00; B60B 7/0013; B60B 7/0026; B60B 7/01; B60B 7/02; B60B 7/04; B60B 7/06; B60B 7/18; B60B 9/00; B60B 21/00

See application file for complete search history.

(56) **References Cited**

**U.S. PATENT DOCUMENTS**

D503,917 S \* 4/2005 Kushartanto ..... D12/209  
D620,872 S \* 8/2010 Juergens ..... D12/211  
D667,355 S \* 9/2012 Gotschke ..... D12/209  
D716,712 S \* 11/2014 Lemke ..... D12/211  
D728,440 S \* 5/2015 Osborne ..... D12/209  
D754,049 S \* 4/2016 Valencia Pollex ..... D12/209

D822,571 S \* 7/2018 Park ..... D12/209  
D859,272 S \* 9/2019 Fischer ..... D12/211  
D897,263 S \* 9/2020 Patel ..... D12/209  
D911,902 S \* 3/2021 Liu ..... D12/209  
D911,903 S \* 3/2021 Liu ..... D12/209

**FOREIGN PATENT DOCUMENTS**

CN 201530456976 \* 6/2016  
CN 201630387666.7 \* 2/2017  
EM 002725796 \* 6/2015  
IN 246546 \* 12/2012  
WO WOD217402-027 \* 11/2021  
WO WOD217402-028 \* 11/2021

**OTHER PUBLICATIONS**

AutoRimShop, posting date N/A [online], [retrieved Jun. 12, 2023]. Retrieved from internet, <https://www.autorimshop.com/wheels-tires/wheels/21-front-oem-wheel-rim-cw95535.html?324=624> (Year: 2023).\*

\* cited by examiner

*Primary Examiner* — Jennifer L Rempfer

*Assistant Examiner* — Aaron C Fowler

(74) *Attorney, Agent, or Firm* — IPPro, PLLC

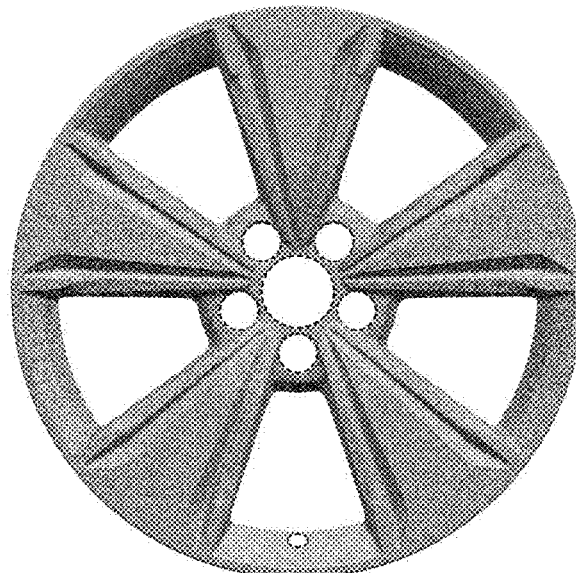
(57) **CLAIM**

The ornamental design for a vehicle wheel, as shown and described.

**DESCRIPTION**

FIG. 1 is a front view of a vehicle wheel.  
FIG. 2 is a perspective view of the vehicle wheel; and,  
FIG. 3 is a left side view of the vehicle wheel.  
In the drawings the broken lines depict portions of the wheel that form no part of the claimed design.

**1 Claim, 3 Drawing Sheets**



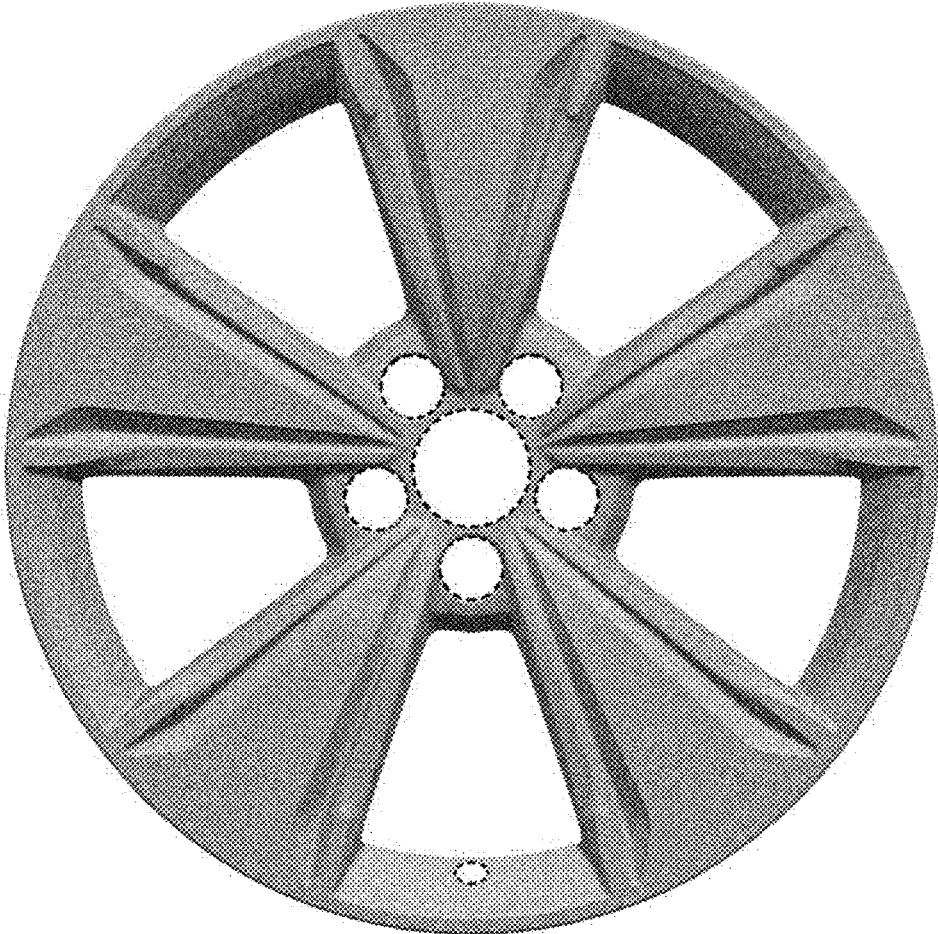


FIG. 1

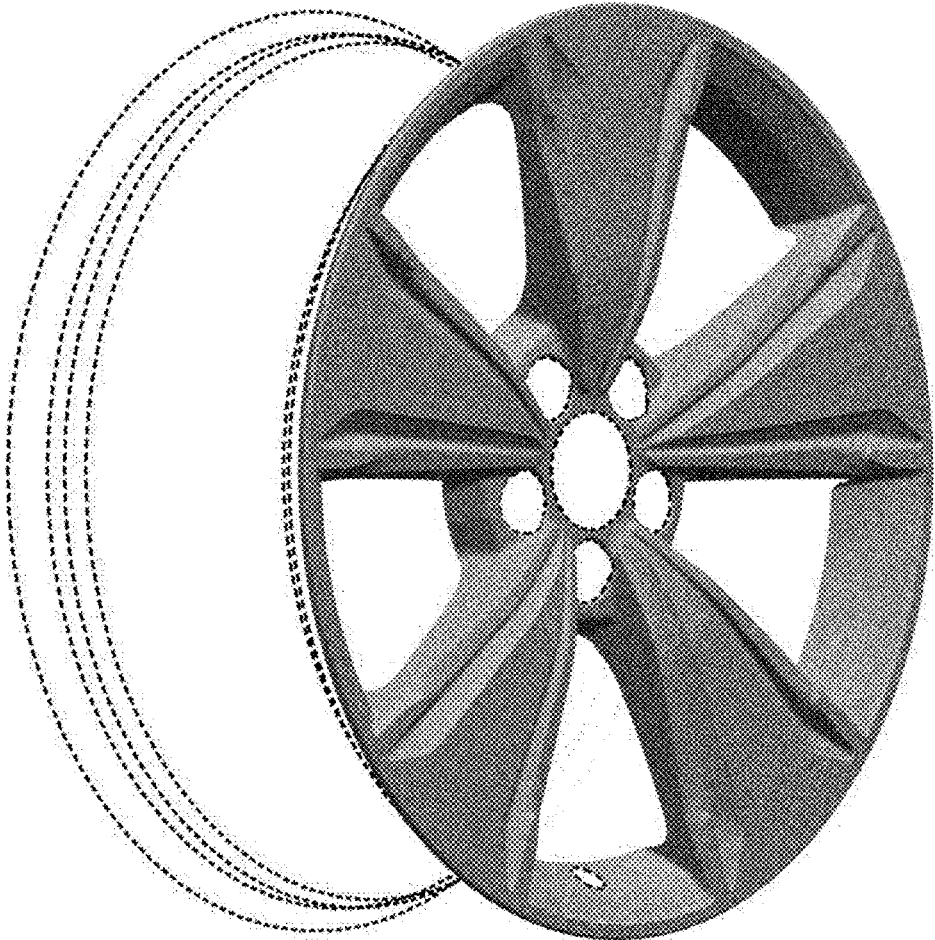


FIG. 2

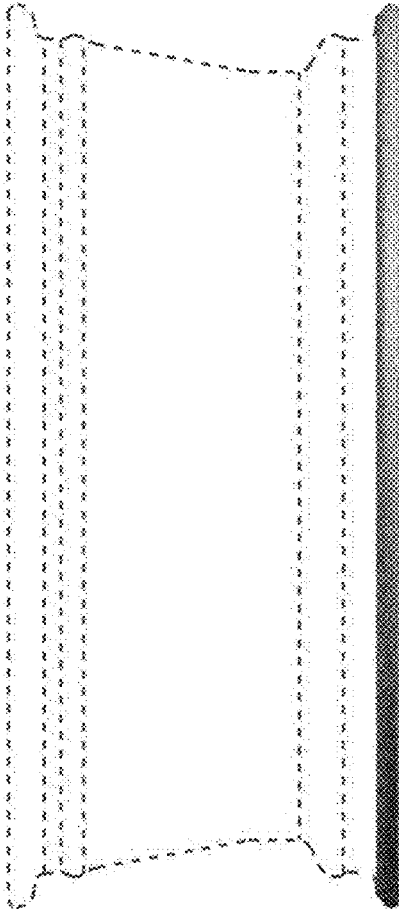


FIG. 3