



US00D767201S

(12) **United States Design Patent** (10) **Patent No.:** **US D767,201 S**  
**Starr** (45) **Date of Patent:** **\*\* Sep. 20, 2016**

(54) **VAPORIZATION APPARATUS**  
(71) Applicant: **Michael Starr**, Ithaca, NY (US)  
(72) Inventor: **Michael Starr**, Ithaca, NY (US)  
(\*\*) Term: **15 Years**  
(21) Appl. No.: **29/541,996**  
(22) Filed: **Oct. 9, 2015**

**Related U.S. Application Data**

(63) Continuation-in-part of application No. 29/465,167, filed on Aug. 24, 2013.  
(51) **LOC (10) Cl.** ..... **27-02**  
(52) **U.S. Cl.**  
USPC ..... **D27/165**; D27/163  
(58) **Field of Classification Search**  
USPC ..... D27/101, 118, 177-178, 182, 188, 192, D27/194, 162-169, 148, 143; D7/515, 623, D7/638, 619, 506-507, 305, 533, 510, 509, D7/523; 131/178, 179, 180, 328  
CPC ..... A24F 3/00; A24F 1/30; A24F 15/18; A24F 42/002; A47G 19/2205  
See application file for complete search history.

**References Cited**

**U.S. PATENT DOCUMENTS**

D241,355 S \* 9/1976 Fenster ..... D27/163  
4,198,993 A \* 4/1980 Martin ..... A24F 1/30  
131/173  
4,223,686 A \* 9/1980 Murray, Jr. .... A24F 1/30  
131/173  
D261,690 S \* 11/1981 Murray, Jr. .... D27/163  
D359,882 S \* 7/1995 Birge, Jr. .... D7/510  
D371,632 S \* 7/1996 Truelove ..... D27/162

D500,421 S \* 1/2005 Azrak ..... D6/515  
D500,422 S \* 1/2005 Azrak ..... D6/515  
D540,979 S \* 4/2007 Chen ..... D27/148  
D590,662 S \* 4/2009 Cheng ..... D7/509  
D632,133 S \* 2/2011 Giraud ..... D7/510  
D637,872 S \* 5/2011 Sarson ..... D7/510  
D688,746 S \* 8/2013 Hung ..... D19/86  
8,689,802 B2 \* 4/2014 Schoenfeld ..... A24F 3/00  
131/178  
D729,565 S \* 5/2015 Starr ..... D7/301  
D737,504 S \* 8/2015 Chen ..... D27/183  
D744,279 S \* 12/2015 Arciero ..... D7/510  
2009/0272390 A1 \* 11/2009 Blondeel ..... A24F 19/0092  
131/231  
2013/0239982 A1 \* 9/2013 Meyer ..... A24F 13/12  
131/328

\* cited by examiner

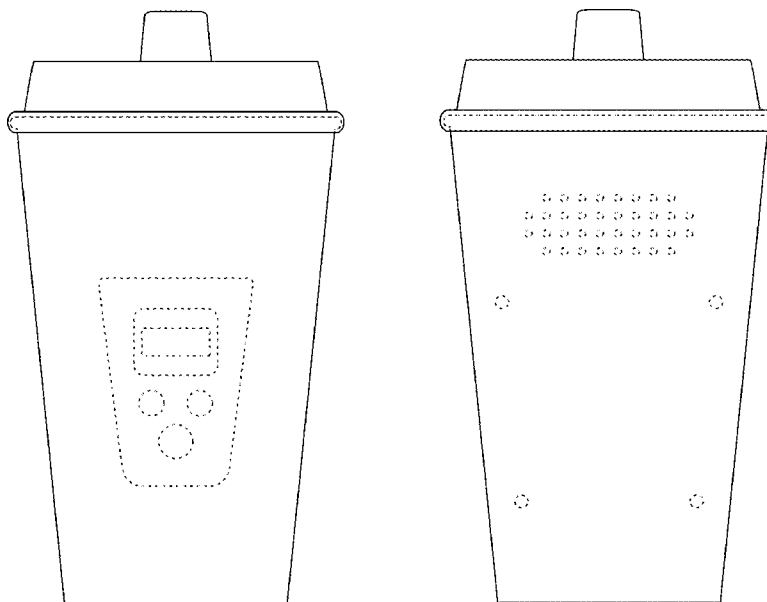
*Primary Examiner* — Susan Bennett Hattan  
*Assistant Examiner* — Janice Hallmark  
(74) *Attorney, Agent, or Firm* — Andrew S. Langsam; Pryor Cashman LLP

(57) **CLAIM**  
The ornamental design for vaporization apparatus, as shown and described.

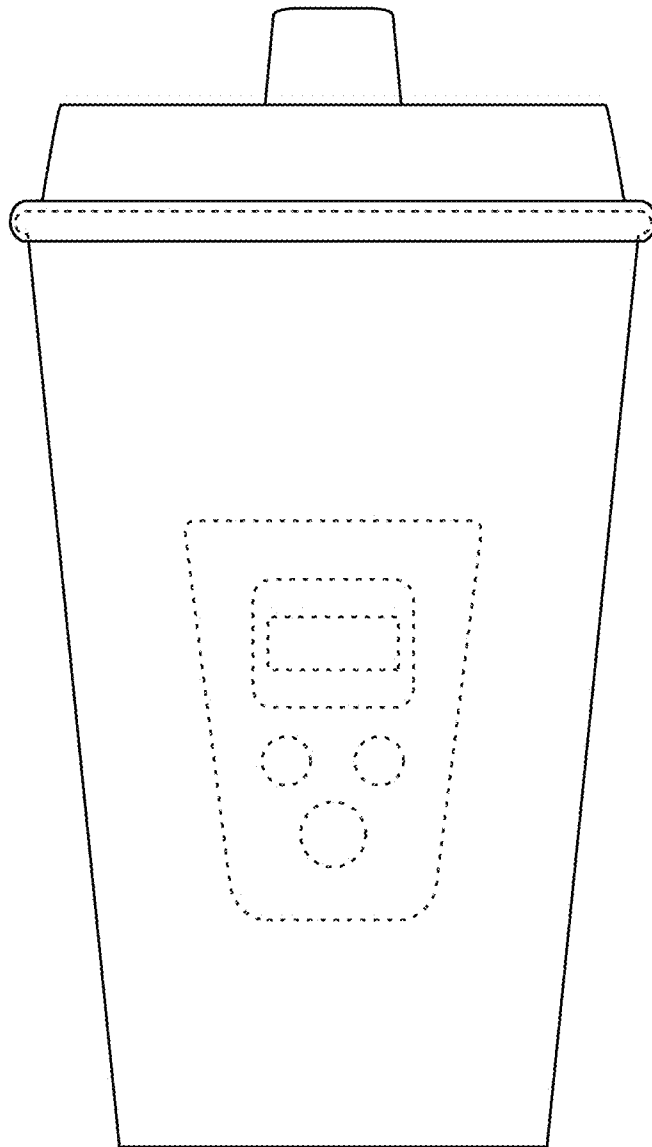
**DESCRIPTION**

FIG. 1 is a front elevational view of the vaporization apparatus, showing my new design;  
FIG. 2 is a rear elevational view thereof;  
FIG. 3 is a right side view thereof;  
FIG. 4 is a left side view thereof;  
FIG. 5 is a top plan view thereof; and,  
FIG. 6 is a bottom view.  
The broken lines in the drawings depict parts of the vaporization apparatus that form no part of the claimed design.

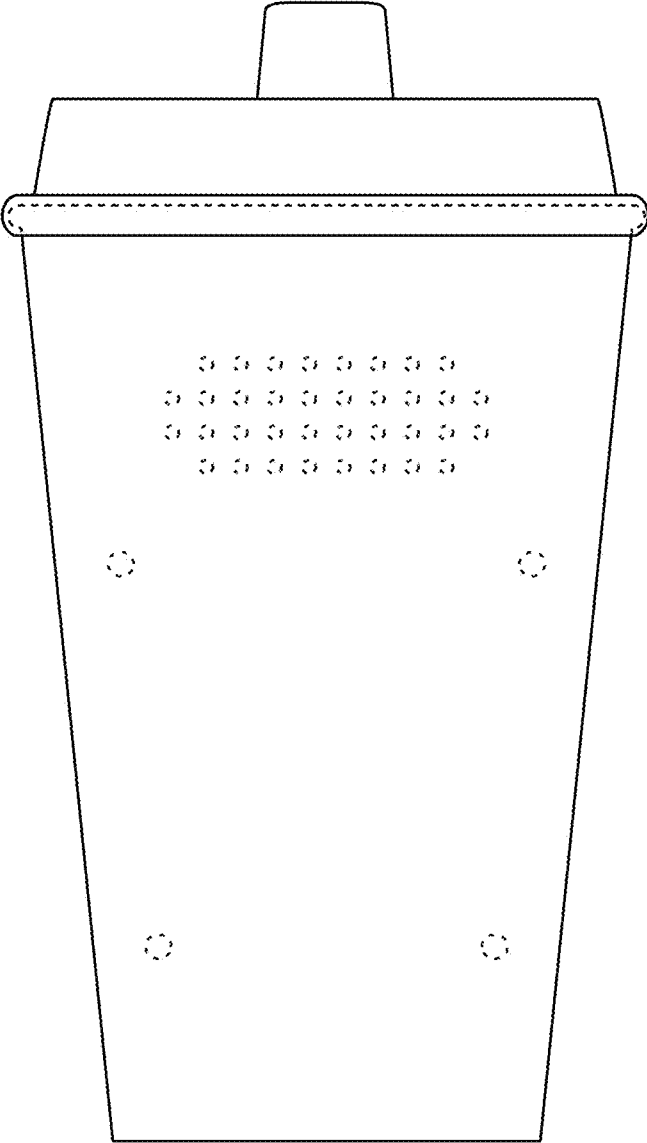
**1 Claim, 5 Drawing Sheets**



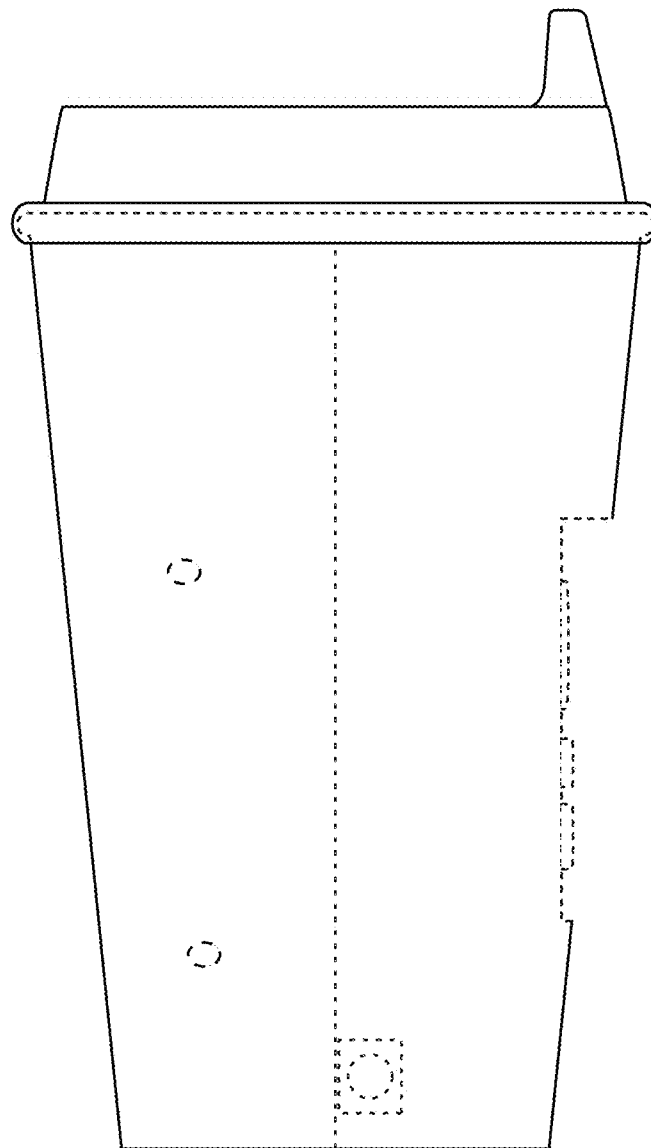
**FIG. 1**



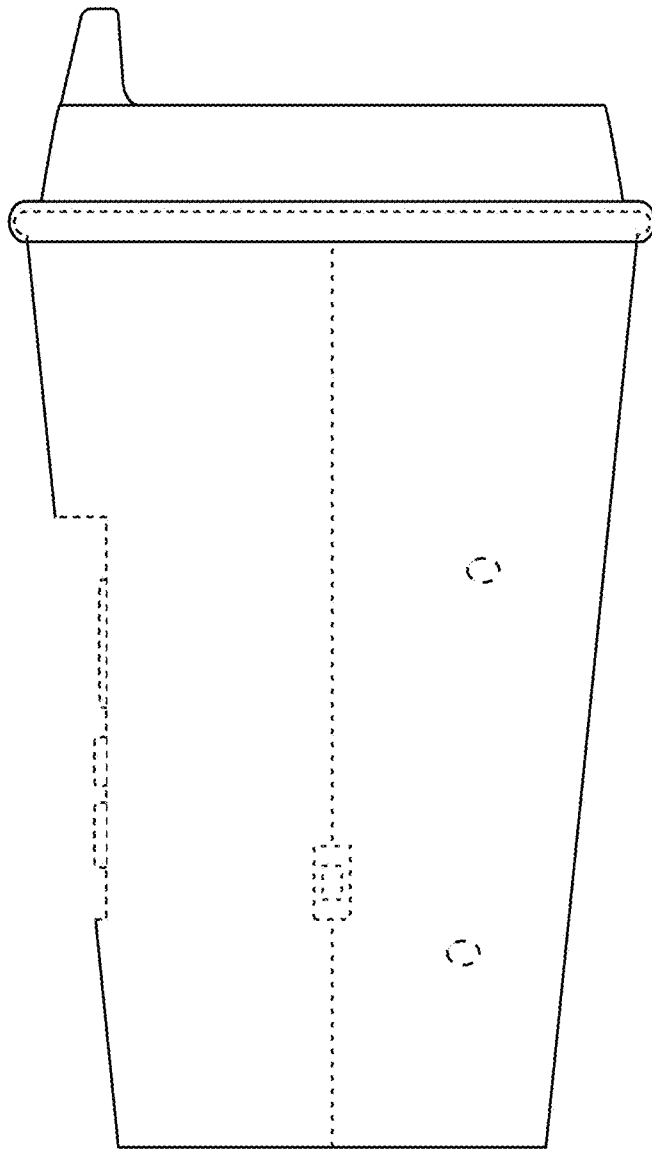
**FIG. 2**



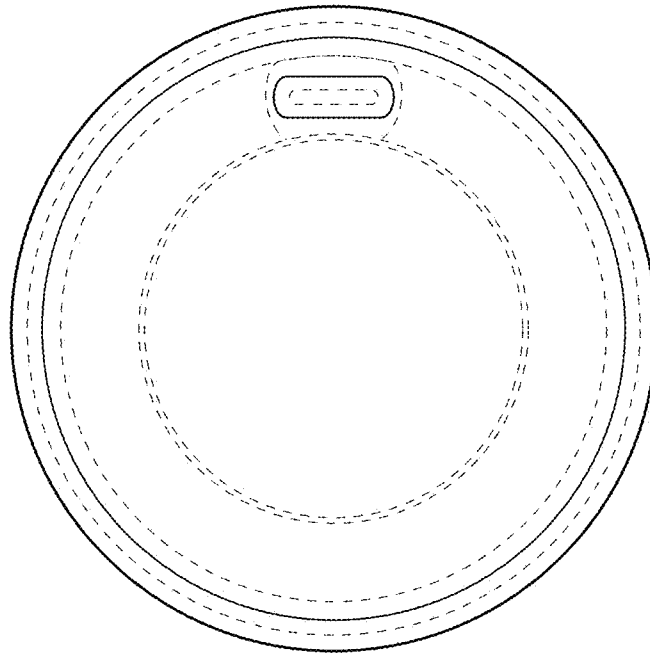
**FIG. 3**



**FIG. 4**



**FIG. 5**



**FIG. 6**

