



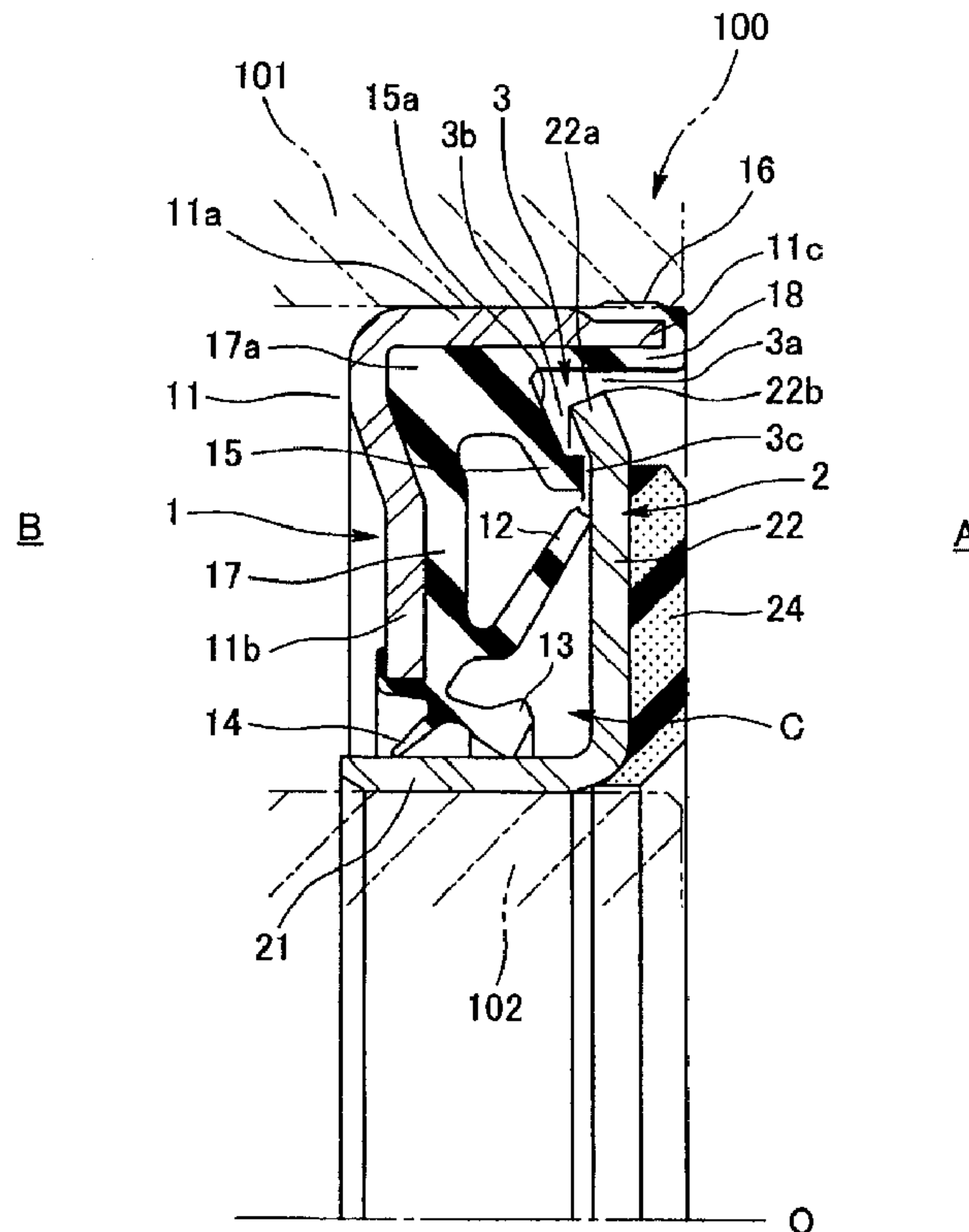
(12) **DEMANDE DE BREVET CANADIEN
CANADIAN PATENT APPLICATION**

(13) **A1**

(22) Date de dépôt/Filing Date: 2017/09/13
(41) Mise à la disp. pub./Open to Public Insp.: 2018/04/07
(30) Priorité/Priority: 2016/10/07 (JP2016-198667)

(51) Cl.Int./Int.Cl. *F16J 15/3204* (2016.01),
F16J 15/3232 (2016.01)
(71) Demandeur/Applicant:
NOK CORPORATION, JP
(72) Inventeur/Inventor:
SENDA, MARI, JP...
(74) Agent: MACRAE & CO.

(54) Titre : APPAREIL D'ETANCHEISATION
(54) Title: SEALING DEVICE



(57) **Abrégé/Abstract:**

Problem To improve muddy water resistance in a sealing device with a structure wherein a seal lip mounted on one of two members that rotate relatively and a seal flange mounted to the other of the two members are in sliding contact. Resolution Means

(57) **Abrégé(suite)/Abstract(continued):**

A sealing device comprising a sealing device main body 1 mounted on one of two members 101 that rotate relatively, and a seal flange mounted to the other of the two members 102; wherein, the sealing device main body 1 is provided with a structure provided with a seal lip 12 slidably connected to a seal flange 22, and a tube part 18 positioned further to the outer side than this seal lip 12; a labyrinth lip 15 is provided on the sealing device main body 1 positioned further to the outer side than the seal lip 12; and, this labyrinth lip 15 extends towards the radially opposite side to the tip end of the seal flange 22 facing the tube part 18 in a radial direction, as the tip end closely faces the seal flange 22 in an axial direction, and a labyrinth gap 3 is formed between the labyrinth lip 15 and the seal flange 22, and the tube part 18.

ABSTRACT

Problem

- 5 To improve muddy water resistance in a sealing device with a structure wherein a seal lip mounted on one of two members that rotate relatively and a seal flange mounted to the other of the two members are in sliding contact.

Resolution Means

10

- A sealing device comprising a sealing device main body 1 mounted on one of two members 101 that rotate relatively, and a seal flange mounted to the other of the two members 102; wherein, the sealing device main body 1 is provided with a structure provided with a seal lip 12 slidably connected to a seal flange 22, and a tube part 18 positioned further to the outer side than this seal lip 12; a labyrinth lip 15 is provided on the sealing device main body 1 positioned further to the outer side than the seal lip 12; and, this labyrinth lip 15 extends towards the radially opposite side to the tip end of the seal flange 22 facing the tube part 18 in a radial direction, as the tip end closely faces the seal flange 22 in an axial direction, and a labyrinth gap 3 is formed between the labyrinth lip 15 and the seal flange 22, and the tube part 18.
- 15

SEALING DEVICE

Technical Field of the Invention

5 The present invention relates to a sealing device, used in automobiles, general machinery, industrial machinery, or the like, and provided with a structure wherein a seal lip mounted on one of two members that rotate relatively is slidably connected with a seal flange mounted to the other of the two members.

10 Background Art

 An object provided with a structure wherein a seal lip of a stationary side is slidably connected to a seal flange on a rotation side is used as a sealing device for preventing muddy water or the like infiltrating from an external part to a hub bearing of an automobile.

15

 FIG. 3 illustrates a conventional example of this type of sealing device; in other words, it is provided with a sealing device main body 110 mounted on the inner circumference of an outer ring 101, which is a stationary side on a hub bearing 100 of an automobile, and a slinger 120, composed of a sleeve 121, fitted on the outer circumference of an inner ring 102, which is a
20 rotation side on the hub bearing 100, and a seal flange 122, extending from one end thereof; wherein, a side lip 111 provided on the sealing device main body 110 slidably connected to the seal flange 122 of the slinger 120, is slidably connected on the seal flange 122 of the slinger 120, and a radial lip 112 provided on the sealing device main body 110, positioned on the inner

circumference side of the side lip 111 is slidably connected to the outer circumference surface of the sleeve 121 of the slinger 120.

Furthermore, a pulsar ring 123, formed in a disc-shape with a rubbery elastic body mixed with a magnetic powder, wherein different circumferentially alternating magnetic poles are magnetized, is adhered integrally on the outer side surface of the flange 122 of the slinger 120, and a magnetic rotary encoder is configured by a magnetic sensor (not illustrated) being disposed on an outer side of the pulsar ring 123, facing the outer side surface thereof in the axial direction.

That is, a sealing device of this type prevents infiltration of muddy water or the like from an outer part A to a bearing inner part B, by the shaking action of the seal flange 122 which rotates integrally with the inner ring 102, in a slide part of the seal flange 122 of the slinger 120 and the side lip 111 of the sealing device main body 110. Furthermore, even if muddy water or the like slightly infiltrates an enclosed space C of the inner circumference side thereof from a connected slide part of the seal flange 122 and the side lip 111, these are sealed by the connected slide part of the sleeve 121 of the slinger 120 and the radial lip 112, and is returned to the outer circumference side of the side lip 111 by the shaking action of the seal flange 122.

Moreover, a sealing device of this type is provided with a labyrinth seal 130, which is a non-contact type seal wherein an outer diameter tubular part 113 and an outer diameter end of the seal flange 122 of the slinger 120 in the sealing device main body 110 are facing in a radial direction, on the outer side of the side lip 111, with the object of improving muddy water resistance by making it less likely for muddy water or the like from the outer part A to cover the

side lip 111, even in harsh environments (for example, please see the following prior art documents).

Prior Art Documents

5 Patent Documents

Patent Document 1 Japanese Unexamined Patent Application No. 2013-044419

Patent Document 2 Japanese Unexamined Patent Application No. 2013-249927

Patent Document 3 Japanese Unexamined Patent Application No. 2007-285499

10

Summary of the Invention

Problem to be Solved by the Invention

However, as described in the prior art documents, although the labyrinth seal 130 provided on the outer side of the side lip 111 has an advantage wherein friction torque or sliding heat generation such as with a contact type seal does not occur, sealability is slightly inferior in comparison to contact types since generally the gap between the outer diameter end of the seal flange 122 and the outer diameter tubular part 113 of the sealing device main body 110 barely narrows; in this respect there is room for improvement.

20

In light of the foregoing points with respect to the technical issue, the present invention improves muddy water resistance in a sealing device with a structure wherein the seal lip

mounted on one of two members that rotate relatively and a seal flange mounted to the other of the two members are in sliding contact.

Means for Solving the Problem

5

In order to solve the foregoing technical issue, the sealing device according to the invention of claim 1 comprises a sealing device main body mounted on one of two members that rotate relatively and a seal flange mounted to the other of the two members; wherein, the sealing device main body is provided with a structure provided with a seal lip slidably connected to the seal
10 flange and a tube part positioned further to the outer side than this seal lip, and a labyrinth lip is provided on the sealing device main body positioned further to the outer side than the seal lip; and, this labyrinth lip extends towards the radially opposite side to the tip end of the seal flange facing the tube part in a radial direction, as the tip end closely faces the seal flange in an axial direction, and a labyrinth gap is formed between the labyrinth lip and the seal flange, and the
15 tube part.

Furthermore, the sealing device according to the invention of claim 2 comprises a configuration according to claim 1, wherein the seal flange inclines further towards the labyrinth lip side on the tip end side than the opposite position of the tip end of the labyrinth lip.

20

Effect of the Invention

According to the sealing device of the present invention, the labyrinth lip configures the labyrinth gap for suppressing infiltration of muddy water or the like from an outer part on the outer side than the seal lip; therefore, it is possible to improve water sealability and to maintain the sealability of the seal slip over a long period. In particular, it is possible to obtain a high labyrinth seal effect since the labyrinth lip positioned further to the outer side than the seal lip extends towards the radially opposite side to the tip part end of the seal flange, as the tip end closely faces the seal flange in an axial direction, even if the seal flange does not bend greatly further to the labyrinth lip side on the outer side than the opposite position of the tip end of the labyrinth lip.

10

Brief Description of the Drawings

FIG. 1 is a half-sectional view illustrating the first embodiment for carrying out the sealing device according to the present invention, cut along a plane passing through axis center 0 thereof.

15

FIG. 2 is a half-sectional view illustrating the second embodiment for carrying out the sealing device according to the present invention, cut along a plane passing through axis center 0 thereof.

FIG. 3 is a half-sectional view illustrating an example of a conventional sealing device, cut along a plane passing through axis center 0 thereof.

20

Mode for Carrying out the Invention

A preferred embodiment for carrying out the sealing device of the present invention will be described below with reference to drawings. First, FIG. 1 illustrates the a embodiment.

Reference numeral 100 in FIG. 1 is a hub bearing in an automobile and is composed of a plurality of steel balls disposed slidably between the outer ring 101, fixed to a knuckle which is not illustrated in the automobile, and the inner ring 102, fitted integrally to a hub which is not illustrated on the wheel side, or this hub. Note that the outer ring 101 corresponds to "one of two members that rotate relatively" described in claim 1, and the inner ring 102 corresponds to "the other of the two members" described in claim 1.

10

The sealing device of the first embodiment prevents muddy water or the like from the outer part A of the hub bearing 100 infiltrating the bearing inner part B, and also prevents enclosed grease for lubricating the bearing inner part B from flowing to the outer part A; therefore, it is provided with a sealing device main body 1 mounted on the inner circumference surface of the outer ring 101 of the hub bearing 100, and a slinger 2 mounted on the outer circumference surface of the inner ring 102 of the hub bearing 100.

The sealing device main body 1 is provided with a metallic reinforcing ring 11, a side lip 12 composed of a rubber elastic body formed integrally on this reinforcing ring 11, a radial lip 13, a grease lip 14, a labyrinth lip 15, and an outer circumference seal part 16. Note that the side lip 12 and the radial lip 13 correspond to the "seal lip" described in claim 1.

The slinger 2 is produced by presswork of a metal plate or the like, and is provided with a sleeve 21 which is press-fitted with an appropriate tightening margin on the outer circumference surface of the inner ring 102 of the hub bearing 100, and a seal flange 22 developed in a disc-shape from the tip part of the outer part A side thereof to the outer diameter side.

5

The reinforcing ring 11 in the sealing device main body 1 is produced by presswork of a metal plate or the like, and composed of a mating tube part 11a with a cylindrical shape, and an inward facing flange 11b that extends from the tip part of the bearing inner part B side of this mating tube part 11a to the inner diameter side. Of these, the outer diameter is formed with a slightly larger diameter than the inner circumference surface of the outer ring 101, and a thin-walled part 11c wherein its thickness is reduced to the inner circumference side is formed close to the tip end thereof, so that the mating tube part 11a is press-fitted with an appropriate tightening margin on the inner circumference surface of the outer ring 101 of the hub bearing 100.

15 The side lip 12 in the sealing device main body 1 forms a conical tubular shape that extends so as to form a large diameter towards the opposite side to the hub bearing inner part B, from a base elastic layer 17, formed with a rubber elastic body on the surface facing the opposite side to the hub bearing inner part B in the inward facing flange 11b of the reinforcing ring 11, and the entire circumference of the tip end part is slidably connected to the inner side surface of the seal flange 20 22 of the slinger 2, while in a state that has undergone an appropriately bent deformation to the axial direction.

The radial lip 13 in the sealing device main body 1 forms a conical tubular shape that extends so as to form a small diameter towards the opposite side to the hub bearing inner part B, from the

inner diameter end part of the base elastic layer 17, positioned further to the inner circumference side than the side lip 12, and the entire circumference of the inner diameter part close to the tip end is slidably connected to the outer circumference surface of the sleeve 21 of the slinger 2, while in a state that has undergone an appropriately expanded deformation.

5

The grease lip 14 in the sealing device main body 1 forms a conical tubular shape that extends so as to form a small diameter towards the hub bearing inner part B side, further to the hub bearing inner part B side than the radial lip 13, and the inner diameter part close to the tip end is slidably connected to the outer circumference surface of the sleeve 21 of the slinger 2.

10

The labyrinth lip 15 in the sealing device main body 1 is provided on the outer circumference side of the side lip 12, or in other words, positioned further to the outer part A side than the side lip 12, and extends to the radially opposite side to the side lip 12, that is, to the inner diameter side, from an outer diameter part 17a of the base elastic layer 17 which is deposited on the inner circumference surface of the mating tube part 11a in the reinforcing ring 11, and the tip end closely faces the inner side surface of the seal flange 22 of the slinger 2 in the axial direction.

15

Furthermore, the seal flange 22 of the slinger 2 has an outer diameter side which inclines further to the labyrinth lip 15 side than the opposite position to the tip end of the labyrinth lip 15, and the outer diameter end part thereof extends from the base part of the labyrinth lip 15, and closely faces the inner circumference surface of a tubular elastic layer 18, deposited on the inner circumference surface of the tip end part of the mating tube part 11a in the reinforcing ring 11. On the other hand, an outer side surface 15a of the labyrinth lip 15 forms an approximate parallel

20

incline surface with an inclined outer diameter part 22a of the seal flange 22. Note that the tubular elastic layer 18 corresponds to the "tube part" described in claim 1.

5 The outer circumference seal part 16 in the sealing device main body 1 is formed with a rubber elastic body on the outer circumference surface of the thin-walled part 11c, formed on the tip end part of the mating tube part 11a in the reinforcing ring 11, and connected by an appropriate thinning margin to the inner circumference surface of the outer ring 101 of the hub bearing 100.

10 A pulsar ring 24 is adhered integrally on the outer side surface of the seal flange 22 of the slinger 2. This pulsar ring 24 is formed in a disc-shape with a material with a fine powder of magnetic material added to a rubbery elastic body or a synthetic resin material, the S pole and N pole are alternately magnetized (multipolar magnetization) at a predetermined pitch in the circumferential direction, and a magnetic rotary encoder is configured by a magnetic sensor that
15 is not illustrated that is disposed on the axial direction outer side thereof. That is, as for this rotary encoder, when the pulsar ring 24 that is integrated with the slinger 2 rotates together with the inner ring 102 of the hub bearing 100, the N pole and S pole magnetized by the pulsar ring 24 pass through the face surface of the magnetic sensor alternately in the rotation direction; therefore, a wave signal corresponding to a change in the magnetic field due to this is output
20 from the magnetic sensor, and it becomes possible to measure rotations by counting pulses.

A sealing device configured as in the foregoing prevents infiltration of muddy water or the like coming in from the outer part A by the shaking action of the seal flange 22 which rotates as

the side lip 12 of the sealing device main body 1, which does not rotate and is fitted to the outer ring 101 of the hub bearing 100, connectively slides with the seal flange 22 of the slinger 2, which rotates integrally with the inner ring 102 of the hub bearing 100. Furthermore, even if muddy water or the like slightly infiltrates the enclosed space C of the inner circumference side thereof from the connected slide part of the seal flange 22 and the side lip 12, these are sealed by the radial lip 13 which connectively slides with the sleeve 21 of the slinger 2; therefore, muddy water or the like cannot easily infiltrate the bearing inner part B, and ultimately is returned to the outer circumference side (outer part A) of the side lip 12 by the shaking action of the seal flange 22.

10

Here, since a labyrinth gap 3 is formed between the tubular elastic layer 18 of the sealing body device 1, the labyrinth lip 15 and the seal flange 22 of the slinger 2 on the outer side (outer circumference side) by a slide seal part through the side lip 12 of the sealing device main body 1 and the seal flange 22 of the slinger 2, it is possible to effectively suppress muddy water or the like coming from the outer part A from infiltrating to the slide part of the side lip 12.

That is, muddy water or the like that is about to infiltrate the slide part of the side lip 12 from the outer part A must go through the labyrinth gap 3, and this gap 3 has a part 3a narrowed between an outer diameter edge 22b on the opposite side to the incline direction in the inclined outer diameter part 22a of the seal flange 22 and the tubular elastic layer 18; a part 3b extending diagonally to the inner diameter side between the inclined outer diameter part 22a of the seal flange 22 and the outer side surface 15a of the labyrinth lip 15 via a part that is gradually broadened in the inner side thereof; and a part 3c narrowed between the inner side surface of the

seal flange 22 and the tip end of the labyrinth lip 15 facing this in the axial direction in the inner diameter side thereof.

That is, the labyrinth gap 3 forms a complicated shape that is sharply bent to a diagonal inner diameter direction from the axial direction, and moreover, the breadth of the gap 3 forms $3a > 3b > 3c$; therefore, it is possible to cause a large pressure loss to the muddy water or the like that is about to pass through the labyrinth gap 3 from the outer part A towards the side lip 12 side. As a result, even if the long labyrinth gap is not formed by the outer diameter part of the seal flange 22 bending into a right angle and extending to a cylindrical shape, it becomes difficult for muddy water or the like to infiltrate the slide part side of the side lip 12, and accordingly, it is possible to maintain the sealability of the side lip 12 and the radial lip 13 over a long period. Moreover, since the labyrinth lip 15 is non-contact with respect to the seal flange 22 of the slinger 2, there is no increase in torque or heat generation.

Next, FIG. 2 illustrates the second embodiment for carrying out the sealing device according to the present invention. This form is different to the foregoing first embodiment in that the outer side surface 15a of the labyrinth lip 15 in the sealing device 1 forms a plane approximately orthogonal to the axis center O. The other parts are the same as those in the first embodiment.

According to the second embodiment, the labyrinth gap 3 that is formed between the tubular elastic layer 18 of the sealing device main body 1, the labyrinth lip 15, and the seal flange 22 of the slinger 2 has the part 3a narrowed between the outer diameter edge 22b on the opposite side to the incline direction in the inclined outer diameter part 22a of the seal flange 22 and the

tubular elastic layer 18 in the sealing device main body 1; a part 3d narrowed between an outer diameter edge 22c of the incline direction side in the inclined outer diameter part 22a of the seal flange 22, and the outer side surface 15a of the labyrinth lip 15 via a part gradually broadened in the inner side thereof; and the part 3c narrowed between the inner side surface of the seal flange 22 and the tip end of the labyrinth lip 15 facing this in the axial direction via a part gradually broadened in the inner diameter side thereof.

That is, the labyrinth gap 3 alternately forms a narrow part and a broad part, and moreover, the narrowed part 3a, 3d, 3c become narrower the closer they are to the side lip 12; therefore, it is possible to repeatedly cause a large pressure loss to muddy water or the like that is about to pass through the labyrinth gap 3. As a result, even if the long labyrinth gap is not formed by the outer diameter part of the seal flange 22 bending into a right angle and extending to a cylindrical shape, it becomes difficult for muddy water or the like to infiltrate the slide part side of the side lip 12, and accordingly, it is possible to maintain the sealability of the side lip 12 and the radial lip 13 over a long period. Moreover, since the labyrinth lip 15 is non-contact with respect to the seal flange 22 of the slinger 2, there is no increase in torque or heat generation.

Note that the illustrated forms are objects wherein the present invention is applied to the sealing device and a magnetic rotary encoder installed therein, and it is possible to similarly implement an object that does not have a magnetic rotary encoder provided.

Description of Reference Numerals

- 1 Sealing device main body
- 11 Reinforcing ring
- 5 12 Side lip (seal lip)
- 13 Radial lip (seal lip)
- 14 Grease lip
- 15 Labyrinth lip
- 16 Outer circumference seal part
- 10 17 Base elastic layer
- 18 Tubular elastic layer (tube part)
- 2 Slinger
- 22 Seal flange
- 22a Inclined outer diameter part
- 15 3 Labyrinth gap
- 100 Hub bearing
- 101 Outer ring (one of two members that rotate relatively)
- 102 Inner ring (the other of the two members that rotate relatively)
- A Outer part
- 20 B Bearing inner part

What is claimed is:

Claim 1

5 A sealing device, comprising a sealing device main body mounted on one of two members that rotate relatively, and a seal flange mounted to the other of the two members; wherein, the sealing device main body is provided with a structure provided with a seal lip slidably connected to the seal flange, and a tube part positioned further to the outer side than this seal lip; a labyrinth lip is provided on the sealing device main body positioned further to the outer side than the seal lip; and, this labyrinth lip extends towards the radially opposite side to the tip end of the seal flange facing the tube part in a radial direction, as the tip end closely faces the seal flange in an axial direction, and a labyrinth gap is formed between the labyrinth lip and the seal flange, and the tube part.

10

Claim 2

15 The sealing device according to claim 1, wherein the seal flange is inclined further towards the labyrinth lip side on the tip end side than the opposite position of the tip end of the labyrinth lip.

FIG. 1

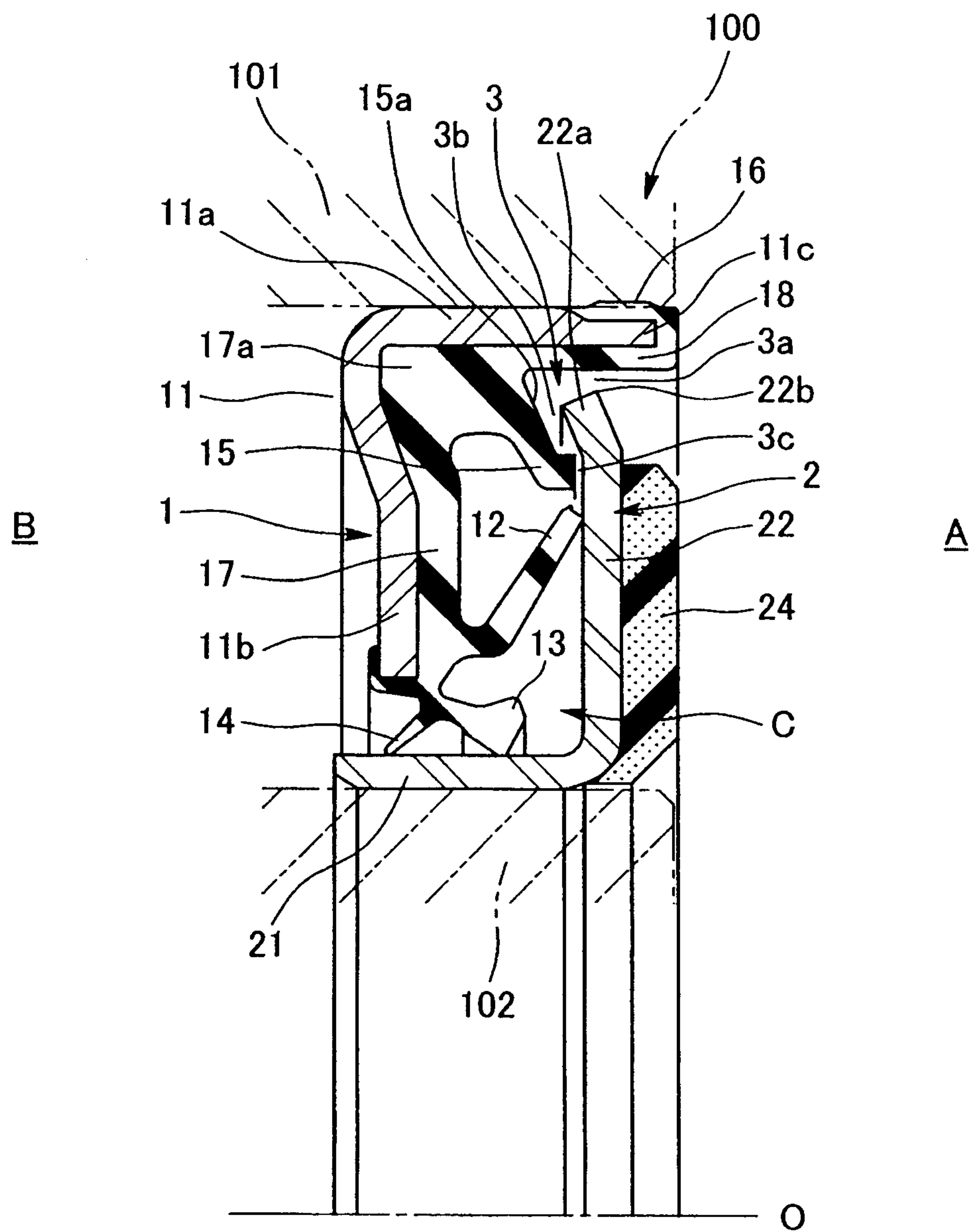


FIG. 2

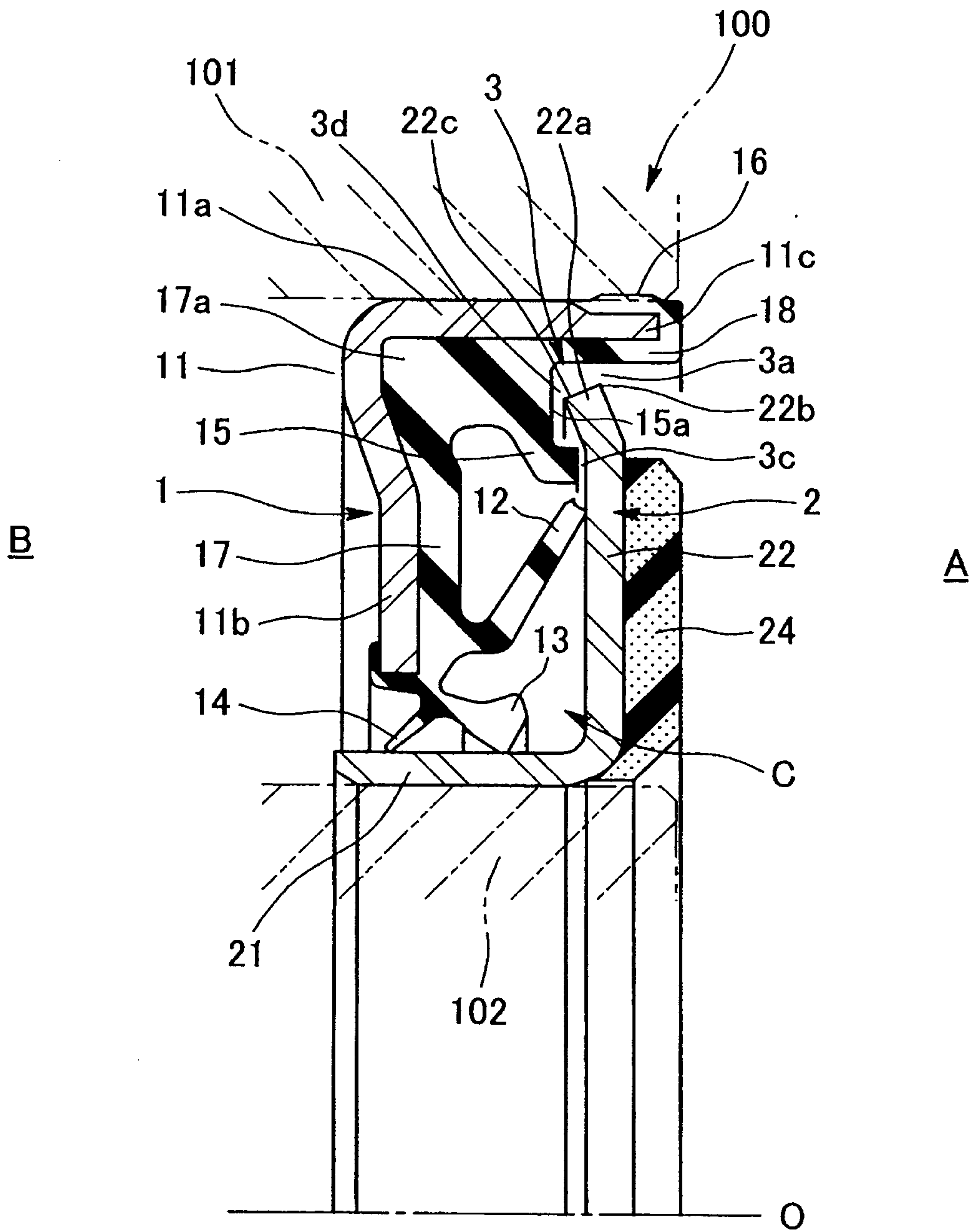


FIG. 3

