



US00D487287S

(12) **United States Design Patent**
Hoshiya

(10) **Patent No.:** **US D487,287 S**

(45) **Date of Patent:** **** Mar. 2, 2004**

(54) **PRINTER WITH COPYING AND SCANNING FUNCTIONS**

D384,070 S * 9/1997 Davis et al. D14/191
D390,231 S * 2/1998 Scheid et al. D14/191
D420,668 S * 2/2000 Choi D14/218
D423,563 S * 4/2000 Collins et al. D18/55
D478,581 S * 8/2003 Lehtonen D14/248

(75) Inventor: **Kazuhiro Hoshiya, Nagoya (JP)**

(73) Assignee: **Brother Industries, Ltd., Nagoya (JP)**

* cited by examiner

(**) Term: **14 Years**

Primary Examiner—Caron D. Veynar

(21) Appl. No.: **29/177,971**

(74) *Attorney, Agent, or Firm*—Oliff & Berridge, PLC

(22) Filed: **Mar. 20, 2003**

(57) **CLAIM**

(30) **Foreign Application Priority Data**

The ornamental design for a printer with copying and scanning functions, as shown and described.

Oct. 1, 2002 (JP) 2002-026963

DESCRIPTION

(51) **LOC (7) Cl.** **14-02**

FIG. 1 is a front view of a printer with copying and scanning functions; and

(52) **U.S. Cl.** **D18/50; D14/248; D14/471; D18/41**

FIG. 2 is a top view thereof; and,

(58) **Field of Search** D18/7, 36-41, D18/50-56; D13/163; D10/104, 106; D19/59, 60; D14/191, 218, 247, 248, 388, 399-401, 414, 415, 454-456, 462-471; 399/1-7, 75, 81, 130, 151

FIG. 3 is an enlarged front view thereof illustrating an area including a display panel and operation buttons.

The left, right, rear and bottom views contain no ornamentality and are omitted.

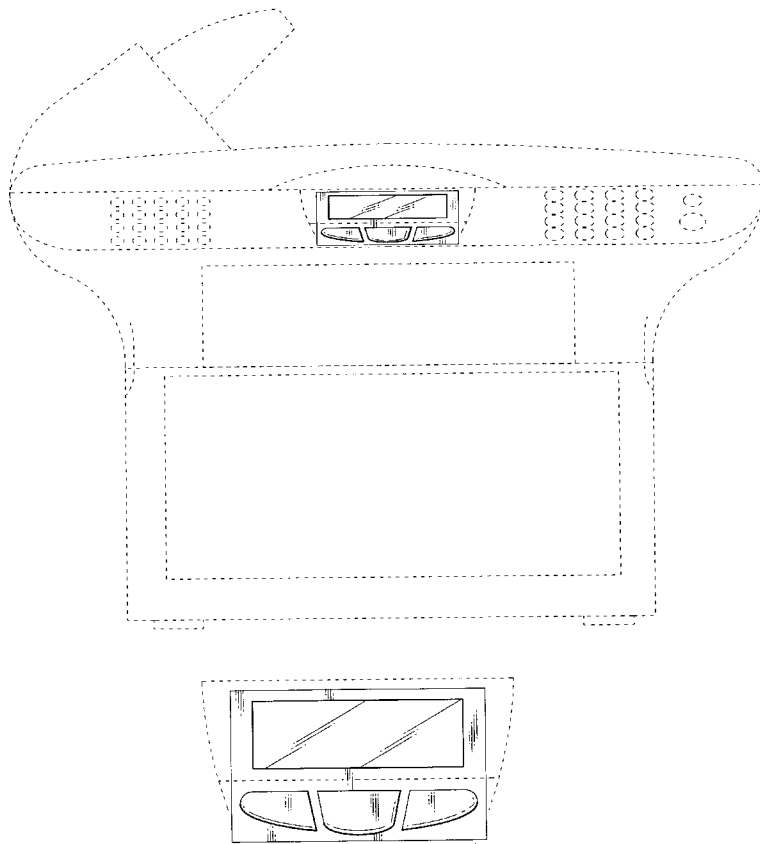
(56) **References Cited**

The broken line showing is for illustrative purposes only and forms no part of the claimed design.

U.S. PATENT DOCUMENTS

D375,099 S * 10/1996 Khoo D14/191

1 Claim, 2 Drawing Sheets



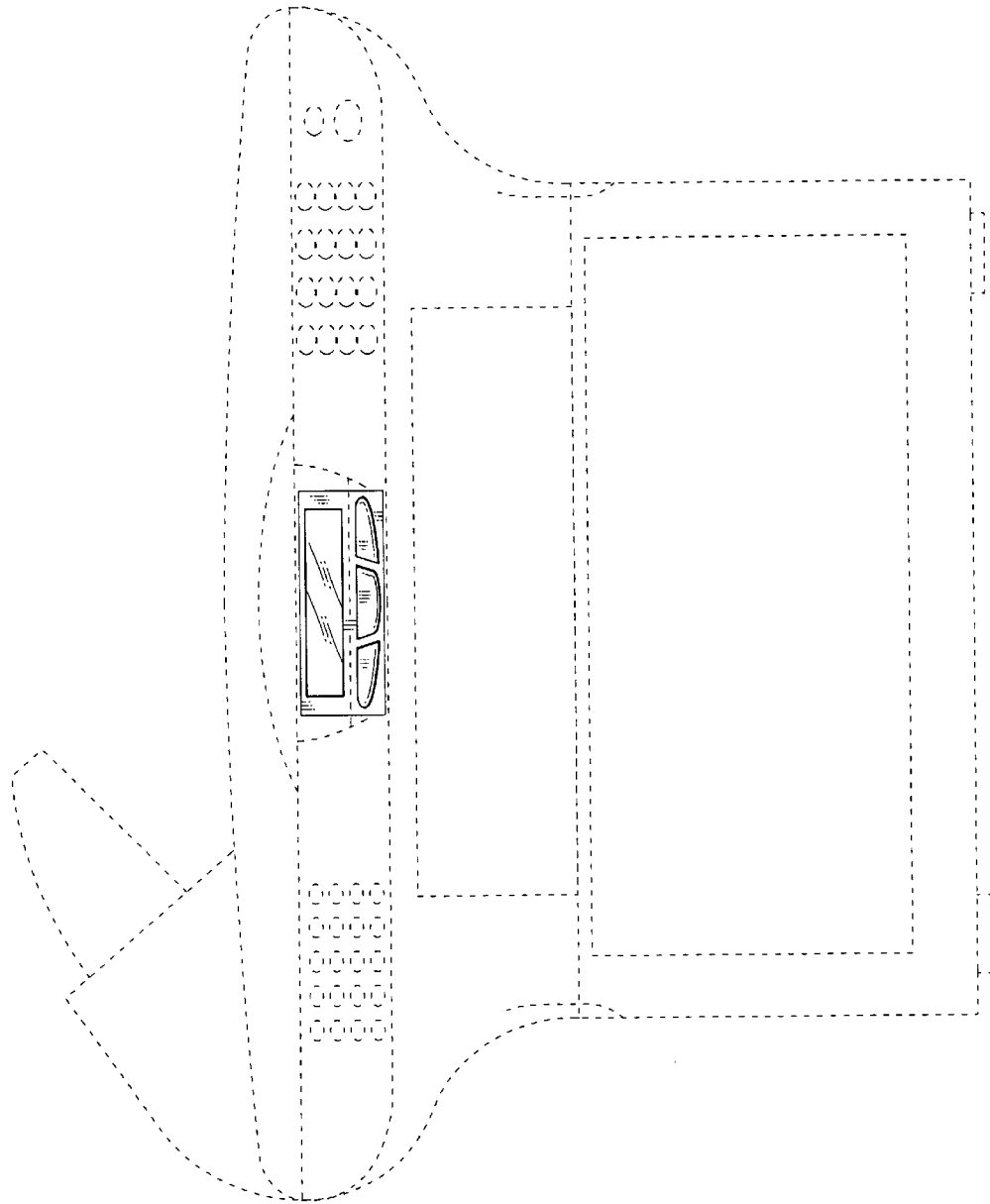


Fig. 1

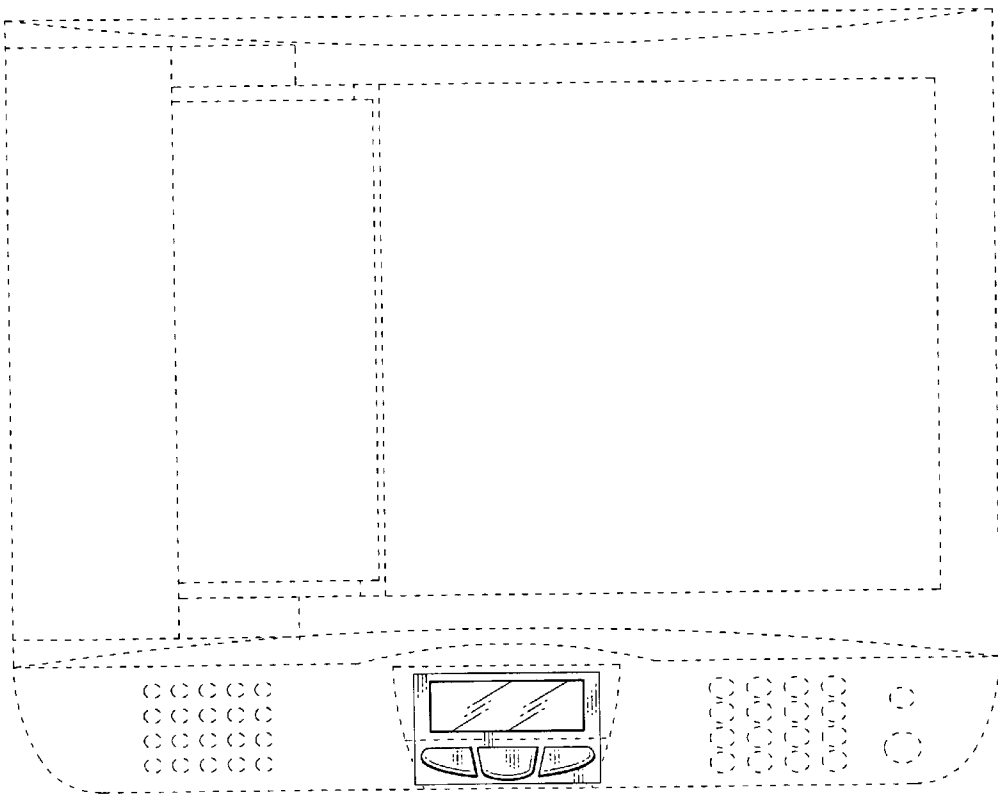


Fig. 2

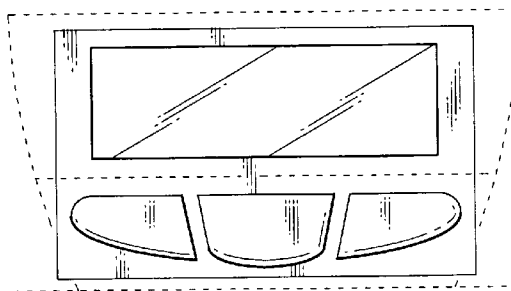


Fig. 3