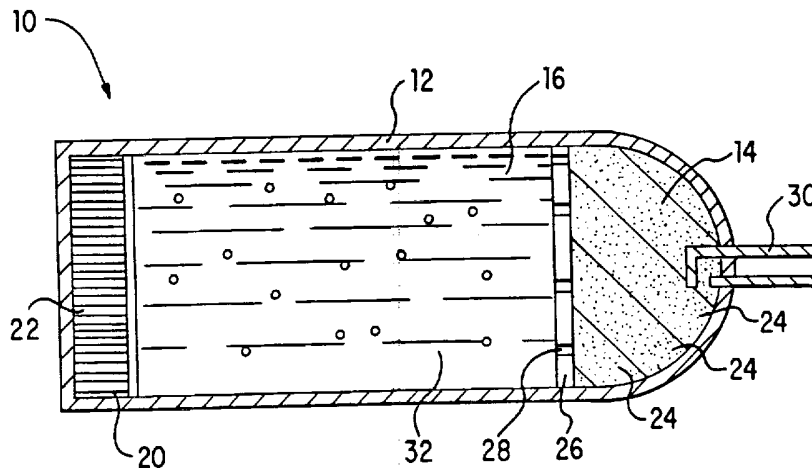




INTERNATIONAL APPLICATION PUBLISHED UNDER THE PATENT COOPERATION TREATY (PCT)

<p>(51) International Patent Classification ⁶ : C06B 29/22, 25/34</p>	<p>A3</p>	<p>(11) International Publication Number: WO 95/25709 (43) International Publication Date: 28 September 1995 (28.09.95)</p>
<p>(21) International Application Number: PCT/US95/02403 (22) International Filing Date: 27 February 1995 (27.02.95) (30) Priority Data: 214,509 18 March 1994 (18.03.94) US (71) Applicant: OLIN CORPORATION [US/US]; 350 Knotter Drive, P.O. Box 586, Cheshire, CT 06410-0586 (US). (72) Inventors: HENRY, Guy, H., III; 632 Kristy Drive, Centralia, IL 62801 (US). SOLVERSON, Mathew, S.; 14 Meadowood, Carbondale, IL 62901 (US). (74) Agents: ROSENBLATT, Gregory, S. et al.; Wiggin & Dana, One Century Tower, New Haven, CT 06508-1832 (US).</p>	<p>(81) Designated States: AM, AU, BB, BG, BR, BY, CA, CN, CZ, EE, FI, GE, HU, JP, KE, KG, KP, KR, KZ, LK, LR, LT, LV, MD, MG, MN, MW, MX, NO, NZ, PL, RO, RU, SD, SG, SI, SK, TJ, TT, UA, UZ, VN, European patent (AT, BE, CH, DE, DK, ES, FR, GB, GR, IE, IT, LU, MC, NL, PT, SE), OAPI patent (BF, BJ, CF, CG, CI, CM, GA, GN, ML, MR, NE, SN, TD, TG).</p> <p>Published <i>With international search report. Before the expiration of the time limit for amending the claims and to be republished in the event of the receipt of amendments.</i></p> <p>(88) Date of publication of the international search report: 30 November 1995 (30.11.95)</p>	

(54) Title: GAS GENERATING PROPELLANT



(57) Abstract

There is provided a gas generating propellant mix (24) consisting essentially of guanidine nitrate, an oxidizer selected from the group consisting of potassium perchlorate and ammonium perchlorate, a flow enhancer and a binder. When ignited, the propellant mix generates nitrogen, carbon dioxide and steam at an elevated temperature, typically in excess of 800 °C. The propellant mix is particularly useful in augmented gas generators to augment the evolution of oxygen from a secondary source such as potassium chlorate. The propellant mix is free of highly toxic compounds and has particular application in automotive airbags.

FOR THE PURPOSES OF INFORMATION ONLY

Codes used to identify States party to the PCT on the front pages of pamphlets publishing international applications under the PCT.

AT	Austria	GB	United Kingdom	MR	Mauritania
AU	Australia	GE	Georgia	MW	Malawi
BB	Barbados	GN	Guinea	NE	Niger
BE	Belgium	GR	Greece	NL	Netherlands
BF	Burkina Faso	HU	Hungary	NO	Norway
BG	Bulgaria	IE	Ireland	NZ	New Zealand
BJ	Benin	IT	Italy	PL	Poland
BR	Brazil	JP	Japan	PT	Portugal
BY	Belarus	KE	Kenya	RO	Romania
CA	Canada	KG	Kyrgystan	RU	Russian Federation
CF	Central African Republic	KP	Democratic People's Republic of Korea	SD	Sudan
CG	Congo			SE	Sweden
CH	Switzerland	KR	Republic of Korea	SI	Slovenia
CI	Côte d'Ivoire	KZ	Kazakhstan	SK	Slovakia
CM	Cameroon	LI	Liechtenstein	SN	Senegal
CN	China	LK	Sri Lanka	TD	Chad
CS	Czechoslovakia	LU	Luxembourg	TG	Togo
CZ	Czech Republic	LV	Latvia	TJ	Tajikistan
DE	Germany	MC	Monaco	TT	Trinidad and Tobago
DK	Denmark	MD	Republic of Moldova	UA	Ukraine
ES	Spain	MG	Madagascar	US	United States of America
FI	Finland	ML	Mali	UZ	Uzbekistan
FR	France	MN	Mongolia	VN	Viet Nam
GA	Gabon				

INTERNATIONAL SEARCH REPORT

International application No.
PCT/US95/02403

A. CLASSIFICATION OF SUBJECT MATTER																				
IPC(6) : CO6B 29/22, 25/34 US CL : 149/18, 76, 92 According to International Patent Classification (IPC) or to both national classification and IPC																				
B. FIELDS SEARCHED																				
Minimum documentation searched (classification system followed by classification symbols) U.S. : 149/18, 76, 92																				
Documentation searched other than minimum documentation to the extent that such documents are included in the fields searched																				
Electronic data base consulted during the international search (name of data base and, where practicable, search terms used)																				
C. DOCUMENTS CONSIDERED TO BE RELEVANT																				
Category*	Citation of document, with indication, where appropriate, of the relevant passages	Relevant to claim No.																		
Y	US, A, 5,125,684 (CARTWRIGHT) 30 June 1992, see the claims.	1,2, 4, 5																		
Y	DE, A 909,424 (HUTCHINSON) 15 April 1954, see Example I.	1, 2, 4, 5																		
A	US, A, 5,056,436 (GREENE) 15 October 1991.	1-13																		
A	US, A, 4,938,813 (EISELE ET AL) 03 July 1990.																			
A	US, A, 4,462,848 (ELRICK) 31 July 1984.																			
A	US, A, 4,094,712 (GODDARD ET AL.) 13 June 1978.																			
A	US, A, 4,089,716 (GODDARD ET AL.) 16 May 1978.																			
<input checked="" type="checkbox"/> Further documents are listed in the continuation of Box C. <input type="checkbox"/> See patent family annex.																				
<table border="0"> <tr> <td>* Special categories of cited documents:</td> <td>*T</td> <td>later document published after the international filing date or priority date and not in conflict with the application but cited to understand the principle or theory underlying the invention</td> </tr> <tr> <td>*A* document defining the general state of the art which is not considered to be part of particular relevance</td> <td>*X*</td> <td>document of particular relevance; the claimed invention cannot be considered novel or cannot be considered to involve an inventive step when the document is taken alone</td> </tr> <tr> <td>*E* earlier document published on or after the international filing date</td> <td>*Y*</td> <td>document of particular relevance; the claimed invention cannot be considered to involve an inventive step when the document is combined with one or more other such documents, such combination being obvious to a person skilled in the art</td> </tr> <tr> <td>*L* document which may throw doubts on priority claim(s) or which is cited to establish the publication date of another citation or other special reason (as specified)</td> <td>*&*</td> <td>document member of the same patent family</td> </tr> <tr> <td>*O* document referring to an oral disclosure, use, exhibition or other means</td> <td></td> <td></td> </tr> <tr> <td>*P* document published prior to the international filing date but later than the priority date claimed</td> <td></td> <td></td> </tr> </table>			* Special categories of cited documents:	*T	later document published after the international filing date or priority date and not in conflict with the application but cited to understand the principle or theory underlying the invention	*A* document defining the general state of the art which is not considered to be part of particular relevance	*X*	document of particular relevance; the claimed invention cannot be considered novel or cannot be considered to involve an inventive step when the document is taken alone	*E* earlier document published on or after the international filing date	*Y*	document of particular relevance; the claimed invention cannot be considered to involve an inventive step when the document is combined with one or more other such documents, such combination being obvious to a person skilled in the art	*L* document which may throw doubts on priority claim(s) or which is cited to establish the publication date of another citation or other special reason (as specified)	*&*	document member of the same patent family	*O* document referring to an oral disclosure, use, exhibition or other means			*P* document published prior to the international filing date but later than the priority date claimed		
* Special categories of cited documents:	*T	later document published after the international filing date or priority date and not in conflict with the application but cited to understand the principle or theory underlying the invention																		
A document defining the general state of the art which is not considered to be part of particular relevance	*X*	document of particular relevance; the claimed invention cannot be considered novel or cannot be considered to involve an inventive step when the document is taken alone																		
E earlier document published on or after the international filing date	*Y*	document of particular relevance; the claimed invention cannot be considered to involve an inventive step when the document is combined with one or more other such documents, such combination being obvious to a person skilled in the art																		
L document which may throw doubts on priority claim(s) or which is cited to establish the publication date of another citation or other special reason (as specified)	*&*	document member of the same patent family																		
O document referring to an oral disclosure, use, exhibition or other means																				
P document published prior to the international filing date but later than the priority date claimed																				
Date of the actual completion of the international search	Date of mailing of the international search report																			
15 SEPTEMBER 1995	24 OCT 1995																			
Name and mailing address of the ISA/US Commissioner of Patents and Trademarks Box PCT Washington, D.C. 20231	Authorized officer <i>Deane Goodwyn Jr</i> PETER A NELSON																			
Facsimile No. (703) 305-3230	Telephone No. (703) 308-0438																			

INTERNATIONAL SEARCH REPORT

International application No.
PCT/US95/02403

C (Continuation). DOCUMENTS CONSIDERED TO BE RELEVANT		
Category*	Citation of document, with indication, where appropriate, of the relevant passages	Relevant to claim No.
A	US, A, 4,072,546 (WINER) 07 February 1978.	
A	US, A, 3,983,818 (CICCONE ET AL.) 05 October 1976.	
A	US, A, 3,919,013 (FOX ET AL.) 11 November 1975.	
A	US, A, 3,839,106 (DUBOIS DE PRISQUE ET AL.) 01 October 1974.	1-13
A	US, A, 3,811,358 (MORSE) 21 May 1974.	
A	US, A, 2,165,263 (HOLM) 11 July 1939.	
A	US, A, 2,558,756 (JACKSON ET AL.) 03 July 1951.	
A	US, A, 3,739,574 (GODFREY) 19 June 1973.	
A	US, A, 3,797,854 (POOLE ET AL) 19 March 1974.	
A	DE, A, 851,919 (TAYLOR ET AL.) 09 October 1952.	
A	DE, A, 854,770 (HUTCHINSON) 06 November 1952.	