



US00D347728S

**United States Patent** [19]  
**Taniyama**

[11] **Patent Number: Des. 347,728**  
[45] **Date of Patent: \*\* Jun. 14, 1994**

[54] **STORAGE CONTAINER**

[76] **Inventor: Yoshihiko Taniyama, 9380 Old Southwick Pass, Fulton County, Alpharetta, Ga. 30202**

[\*\*] **Term: 14 Years**

[21] **Appl. No.: 2,490**

[22] **Filed: Dec. 14, 1992**

[52] **U.S. Cl. .... D6/634**

[58] **Field of Search ..... D3/33, 35, 30.1, 78; 206/444, 307, 309, 311, 312, 387; 360/133; D19/26**

[56] **References Cited**

**U.S. PATENT DOCUMENTS**

D. 260,122	8/1981	Turner .....	D3/35
D. 304,880	12/1989	Philosophe .....	D3/35
D. 315,982	4/1991	Kunimune et al. ....	D3/35
D. 318,368	7/1991	Evans .....	D3/35
D. 335,215	5/1993	Stumpff .....	D3/35
4,084,690	4/1978	Pulse .....	206/310
4,702,369	10/1987	Philosophe .....	206/310 X
4,874,085	10/1989	Grebecker et al. ....	206/444 X
5,145,068	9/1992	Schmitz et al. ....	206/472
5,208,802	5/1993	Suzuki et al. ....	206/310 X

**OTHER PUBLICATIONS**

Taylor Gift Catalog Apr. 1990, p. 90, CD Case.  
The Paragon, Fall 1990 Catalog, p. 56, CD Case.

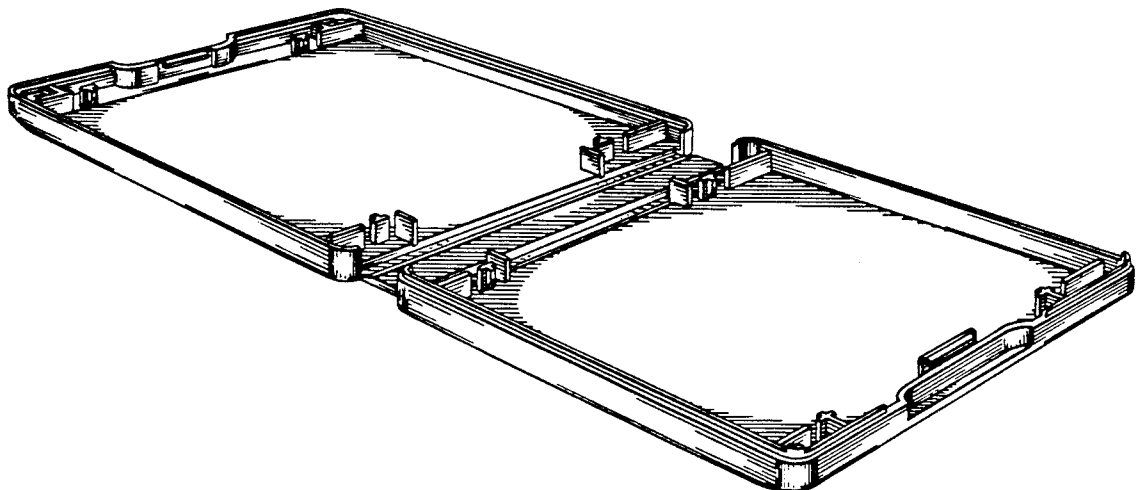
*Primary Examiner*—Prabhakar G. Deshmukh  
*Attorney, Agent, or Firm*—Troutman Sanders

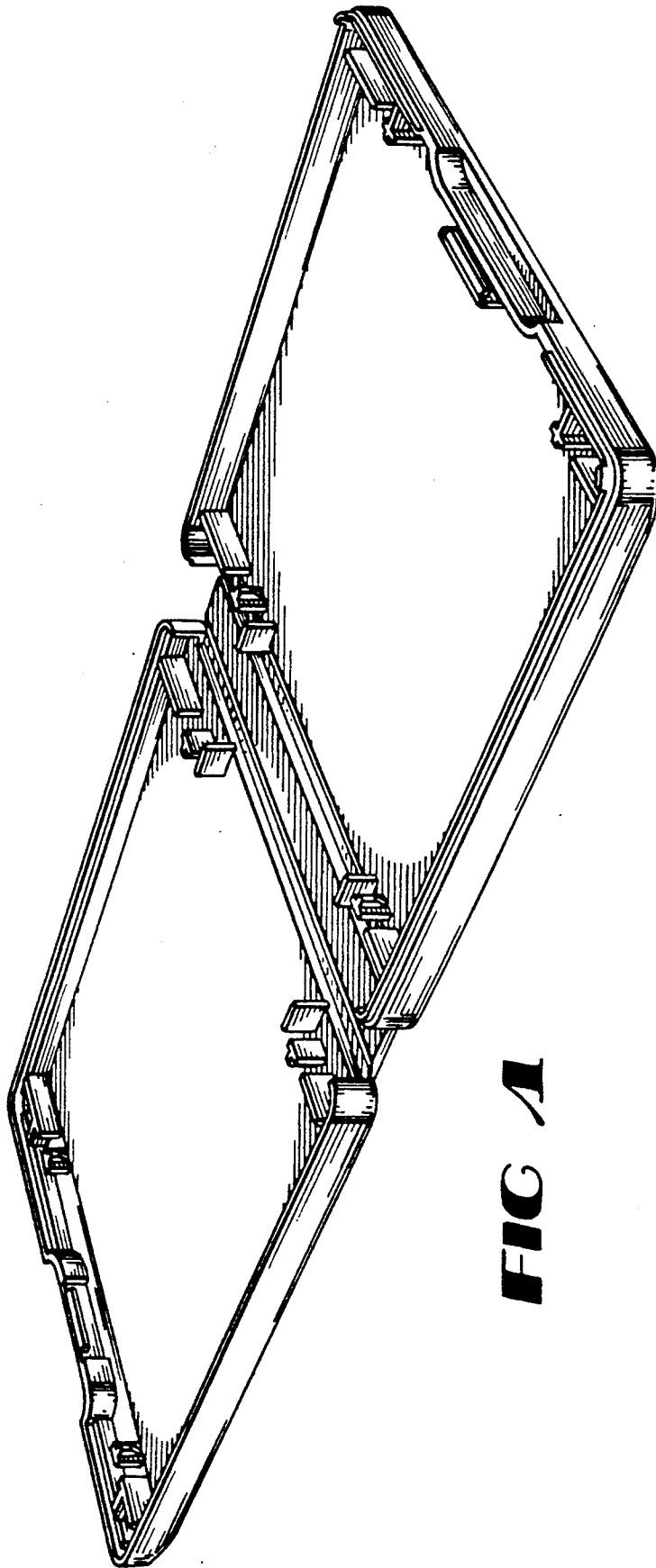
[57] **CLAIM**

The ornamental design for a storage container, as shown and described.

**DESCRIPTION**

FIG. 1 is a top, front, left side perspective view of the storage container of the present invention in the open position;  
 FIG. 2 is a front elevational view of the storage container of FIG. 1;  
 FIG. 3 is a rear elevational view of the storage container of FIG. 1;  
 FIG. 4 is a top plan view of the storage container of FIG. 1;  
 FIG. 5 is a left side elevational view of the storage container of FIG. 1 with the right side elevational view being a mirror image thereof;  
 FIG. 6 is a cross-sectional view along line 6—6 of the storage container of FIG. 4;  
 FIG. 7 is a bottom plan view of the storage container of FIG. 1;  
 FIG. 8 is a top, front left side perspective view of the storage container of the present invention in the closed position;  
 FIG. 9 is a front elevational view of the storage container of FIG. 8;  
 FIG. 10 is a rear elevational view of the storage container of FIG. 8;  
 FIG. 11 is a top plan view of the storage container of FIG. 8, with the bottom plan view being a mirror image thereof;  
 FIG. 12 is a left side elevational view of the storage container of FIG. 8 with the right side elevational view being a mirror image thereof; and,  
 FIG. 13 is a cross-sectional view along line 13—13 of the storage container of FIG. 11.





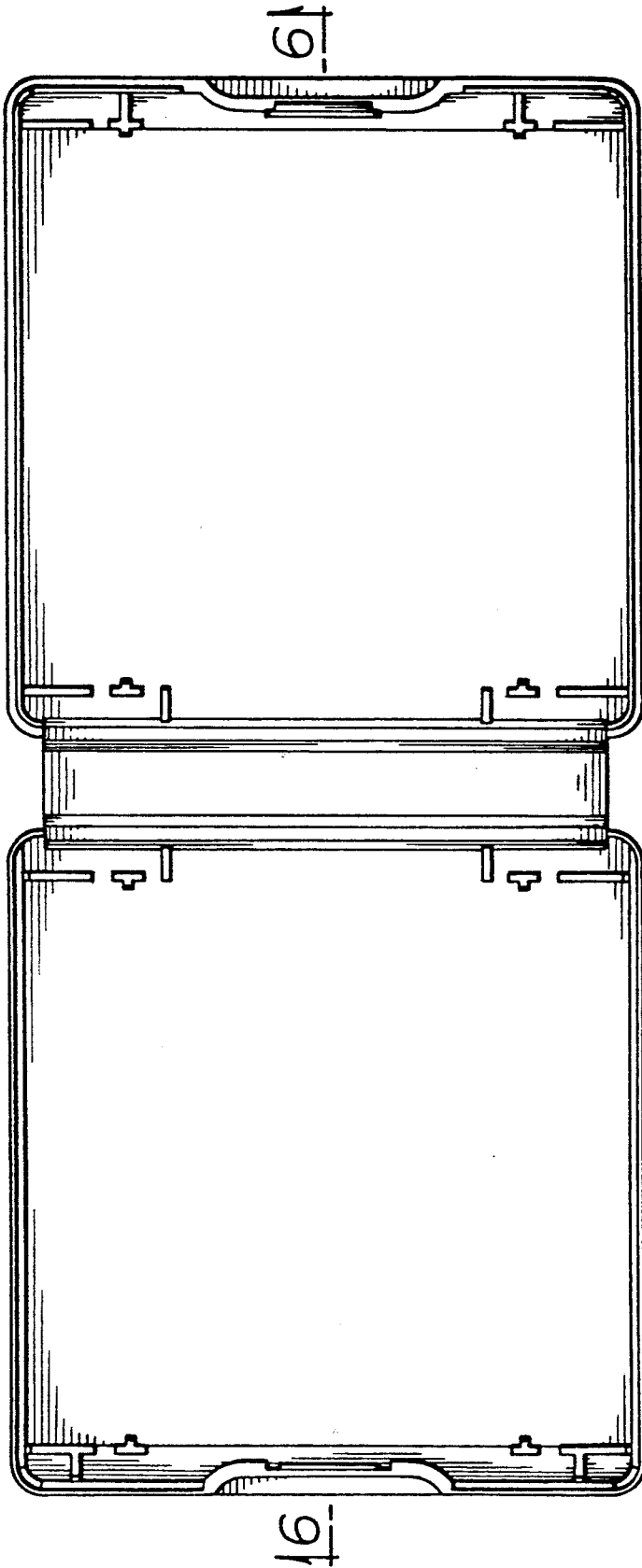
**FIG 1**



**FIG 2**



**FIG 3**



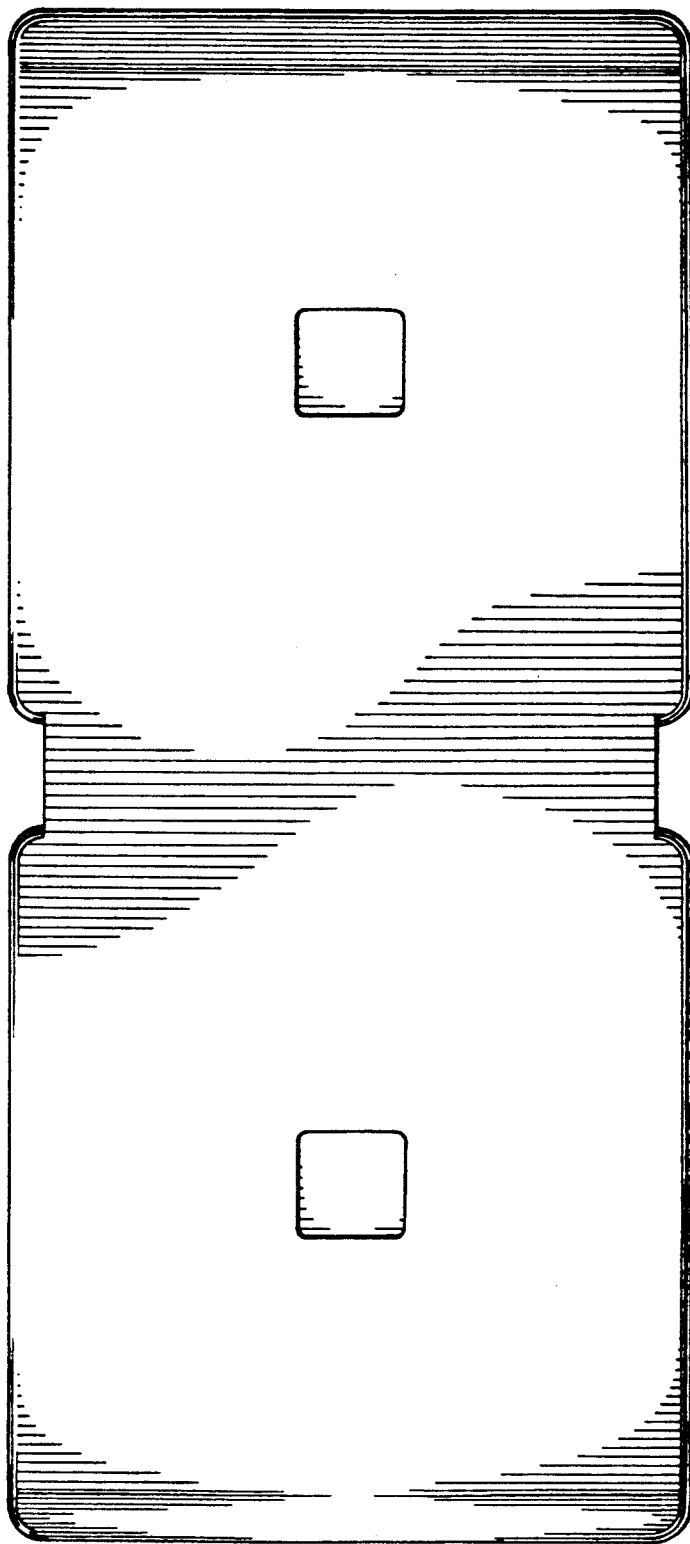
**FIG 4**



**FIG 5**



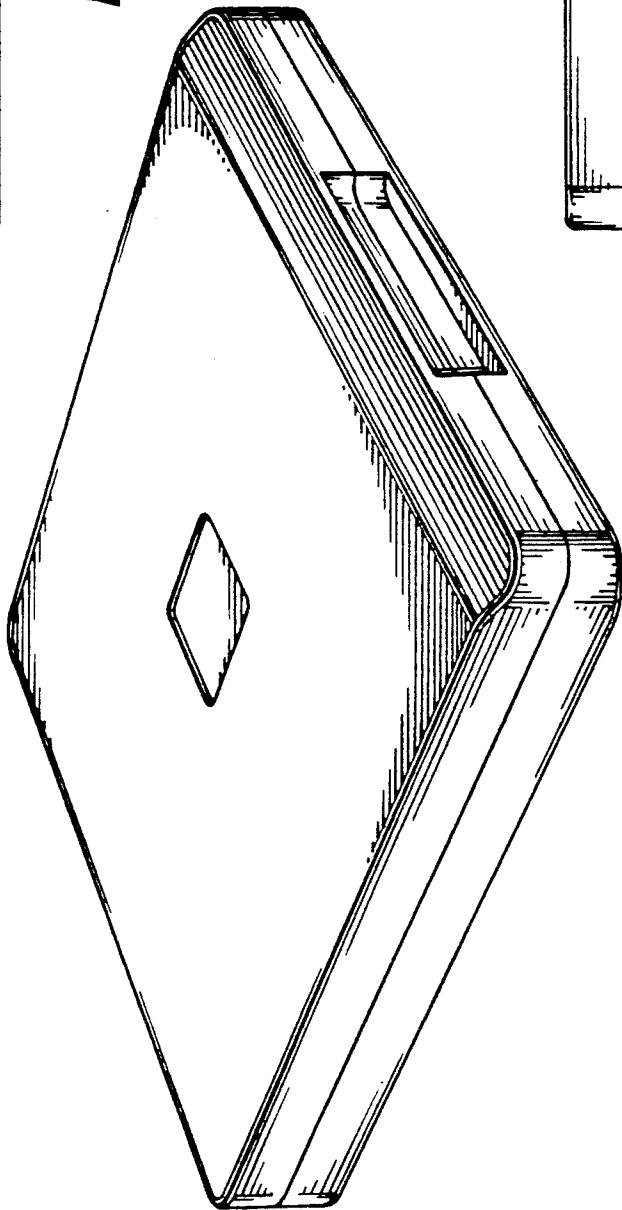
**FIG 6**



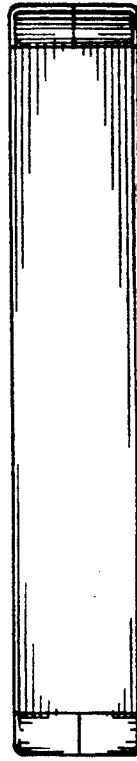
**FIG 7**



**FIG 9**



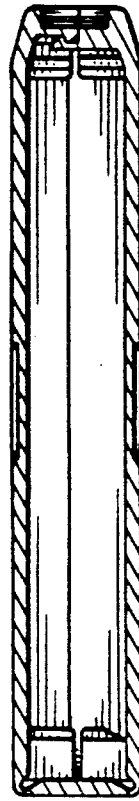
**FIG 8**



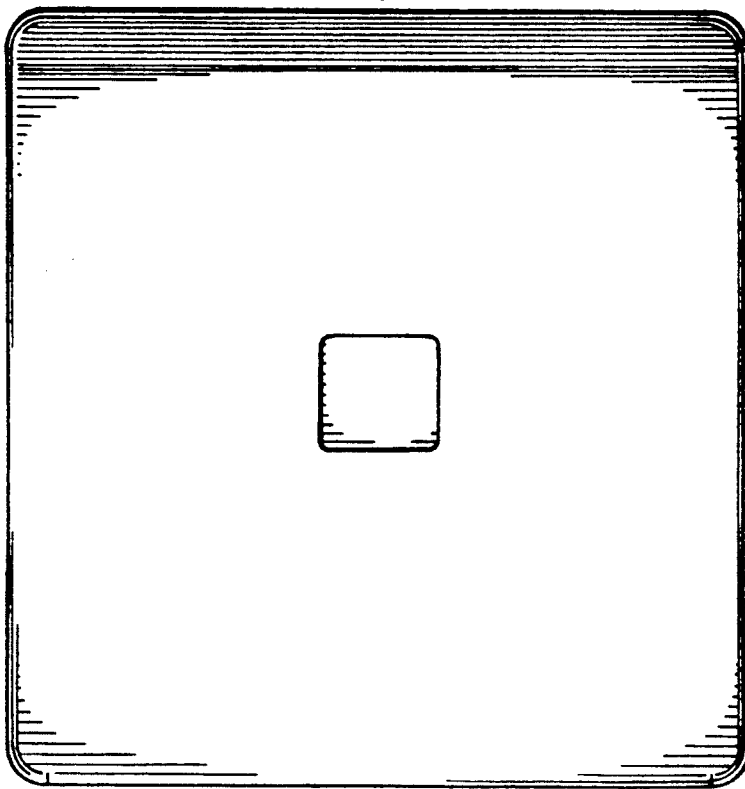
**FIG 10**



**FIG 12**



**FIG 13**



**FIG 14**

131

131