



US00D950259S

(12) **United States Design Patent**  
**Cai et al.**

(10) **Patent No.:** **US D950,259 S**

(45) **Date of Patent:** **\*\* May 3, 2022**

(54) **GAMING CHAIR**

(71) Applicant: **NINGBO YOURLITE IMPORT & EXPORT CO., LTD.**, Ningbo (CN)

(72) Inventors: **Xiaoyu Cai**, Ningbo (CN); **Jinbin Wang**, Ningbo (CN)

(73) Assignee: **NINGBO YOURLITE IMPORT & EXPORT CO., LTD.**, Ningbo (CN)

(\*\*) Term: **15 Years**

(21) Appl. No.: **29/749,307**

(22) Filed: **Sep. 4, 2020**

(51) **LOC (13) Cl.** ..... **06-01**

(52) **U.S. Cl.**  
USPC ..... **D6/366**

(58) **Field of Classification Search**  
USPC ..... D6/356, 364, 365, 366, 367, 379, 716,  
D6/716.4, 716.7, 360, 380; D21/521, 695  
CPC ..... A47C 1/03294; A47C 1/034; A47C 1/032;  
A47C 1/031; A47C 1/023; A47C 3/029;  
A47C 3/027; A47C 3/04; A47C 3/02;  
A47C 3/12; A47C 4/03; A47C 4/04;  
A47C 5/12; A47C 7/029; A47C 7/02;  
A47C 7/18; A47C 7/28; A47C 7/32;  
A47C 7/38; A47C 7/40; A47C 7/44;  
A47C 7/46; A47C 7/54; A47C 7/425;  
A47C 7/445; A47C 31/023; A47C 31/04;  
B60R 2/0284; B60R 2/062; B60R 22/001;  
B60R 22/24; B60R 22/28; B60R 22/58;  
B60R 22/64; B60R 22/68; B60R 22/80;  
B60R 22/99; B60R 22/245; B60R 22/643;  
B60R 22/646; B60R 22/665; B60R  
22/686; B60R 22/688; B60R 22/803;  
B60R 22/986; B60R 22/914; B60R  
22/995; F16B 2/08; F16B 45/00; Y10S  
297/01; A47D 13/10

See application file for complete search history.

(56) **References Cited**

U.S. PATENT DOCUMENTS

D509,077	S	*	9/2005	Beermann	.....	D6/356
D851,435	S	*	6/2019	Shen	.....	D6/716
D851,436	S	*	6/2019	Shen	.....	D6/716
D851,974	S	*	6/2019	Shen	.....	D6/716
D852,523	S	*	7/2019	Ritzel	.....	D6/356
D852,563	S	*	7/2019	Shen	.....	D6/716
D854,846	S	*	7/2019	Shen	.....	D6/366
D856,696	S	*	8/2019	Shen	.....	D6/366
D856,697	S	*	8/2019	Shen	.....	D6/366
D856,698	S	*	8/2019	Shen	.....	D6/366
D859,865	S	*	9/2019	Berlinches	.....	D6/366
10,399,472	B2	*	9/2019	Iwakata	.....	B60N 2/5825

(Continued)

*Primary Examiner* — Kevin K Rudzinski

*Assistant Examiner* — Paul D Bohannon

(74) *Attorney, Agent, or Firm* — Bayramoglu Law Offices LLC

(57) **CLAIM**

The ornamental design for a gaming chair, as shown and described.

**DESCRIPTION**

FIG. 1 is a front perspective view of a gaming chair showing our new design;  
FIG. 2 is a front view thereof;  
FIG. 3 is a rear view thereof;  
FIG. 4 is a left side view thereof;  
FIG. 5 is a right side view thereof;  
FIG. 6 is a top view thereof;  
FIG. 7 is a rear perspective view thereof; and,  
FIG. 8 is a perspective view thereof in a lie-down configuration.

A bottom view is omitted since the bottom view is invisible in normal use.

The broken lines shown in the drawings are for the purpose of illustrating portions of the gaming chair that form no part of the claimed design.

**1 Claim, 8 Drawing Sheets**



(56)

**References Cited**

U.S. PATENT DOCUMENTS

10,406,953	B2 *	9/2019	Tokumoto .....	B60N 2/688
D861,367	S *	10/2019	Shen .....	D6/366
D869,214	S *	12/2019	Chen .....	D6/716
D879,493	S *	3/2020	Peng .....	D6/366
D880,183	S *	4/2020	Li .....	D6/366
D880,883	S *	4/2020	Li .....	D6/366
D893,910	S *	8/2020	Ko .....	D6/366
D918,634	S *	5/2021	Peng .....	D6/716.1
D925,936	S *	7/2021	Zhou .....	D6/366
D935,796	S *	11/2021	Li .....	D6/366

\* cited by examiner



FIG. 1

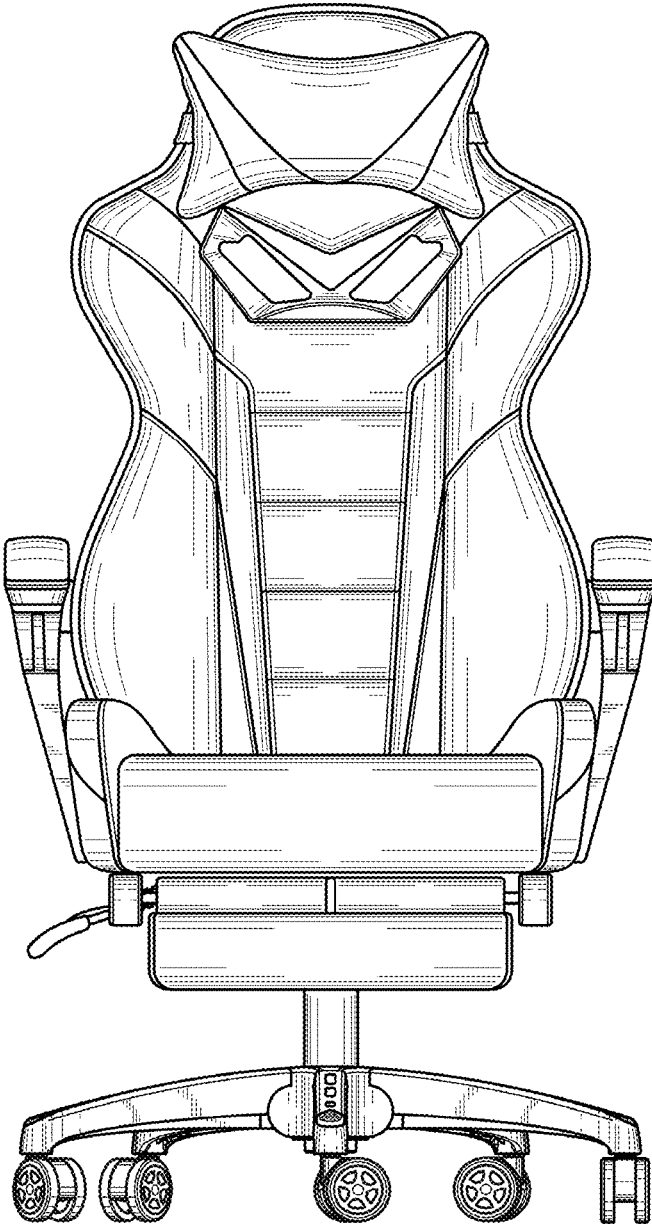


FIG. 2

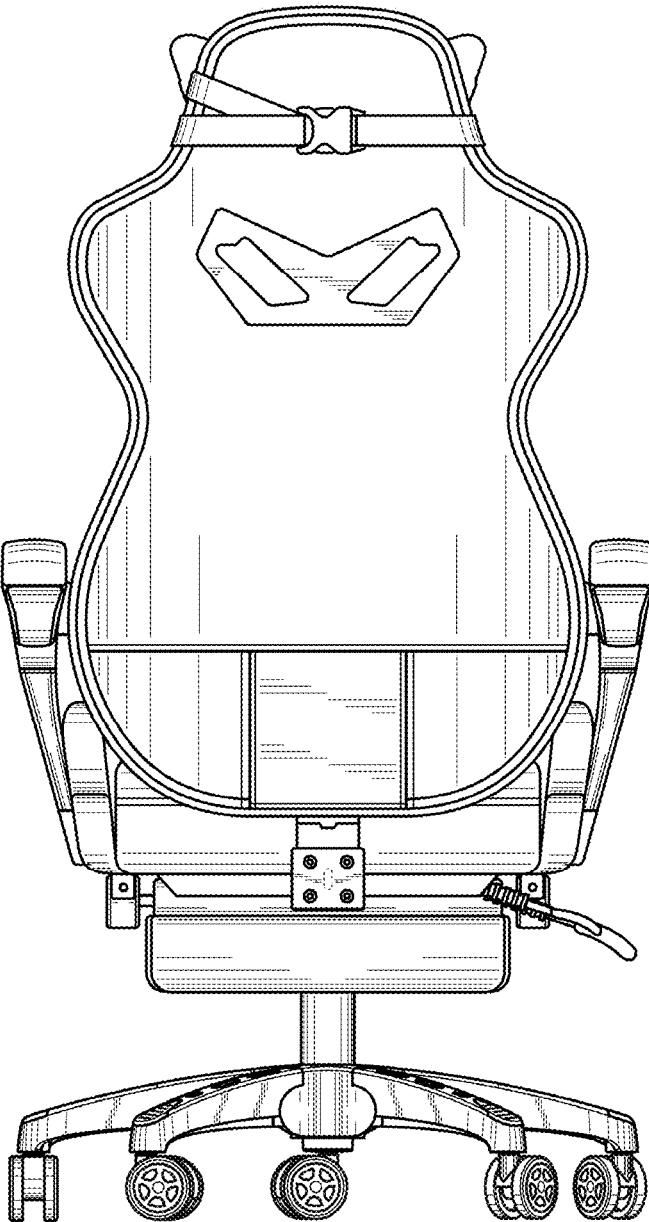


FIG. 3

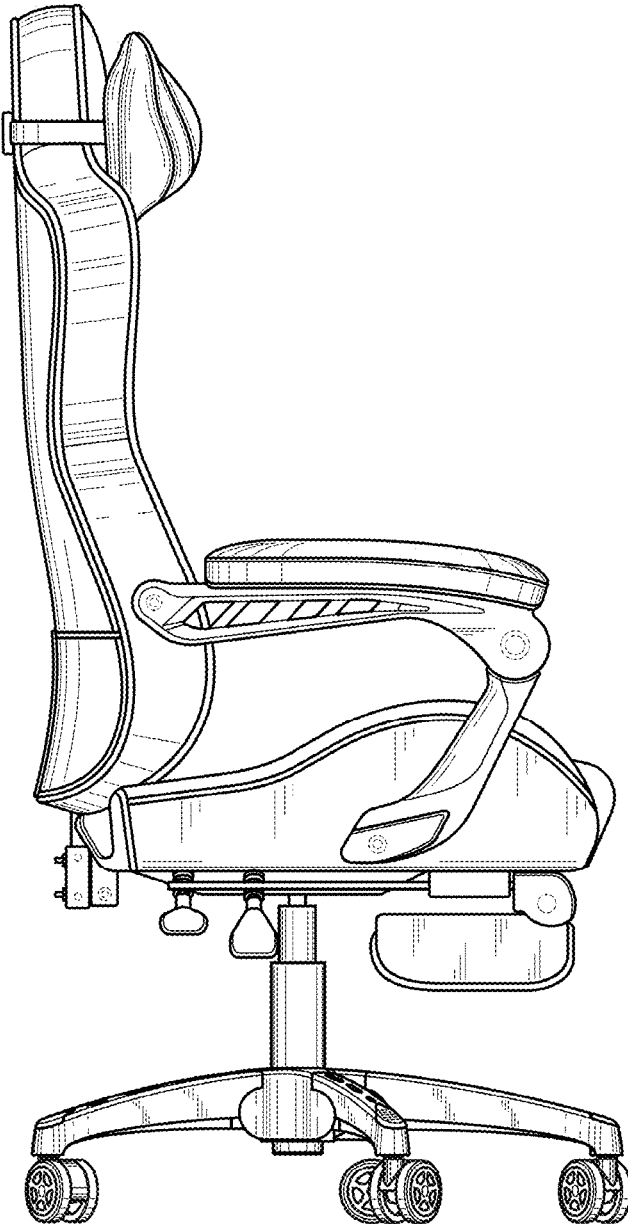


FIG. 4

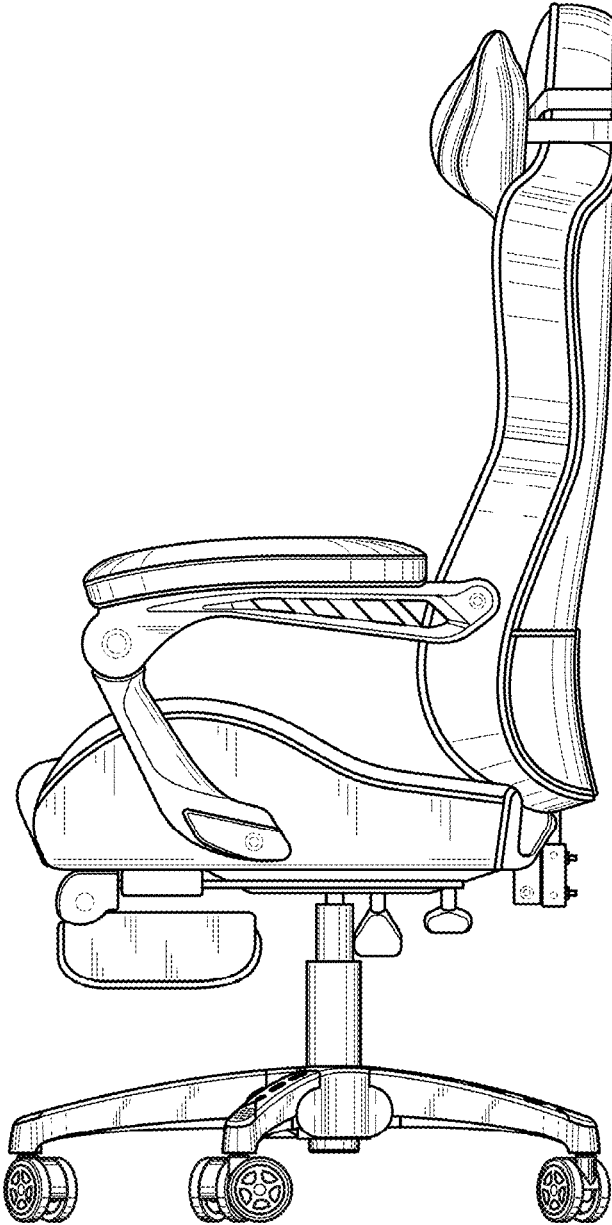


FIG. 5

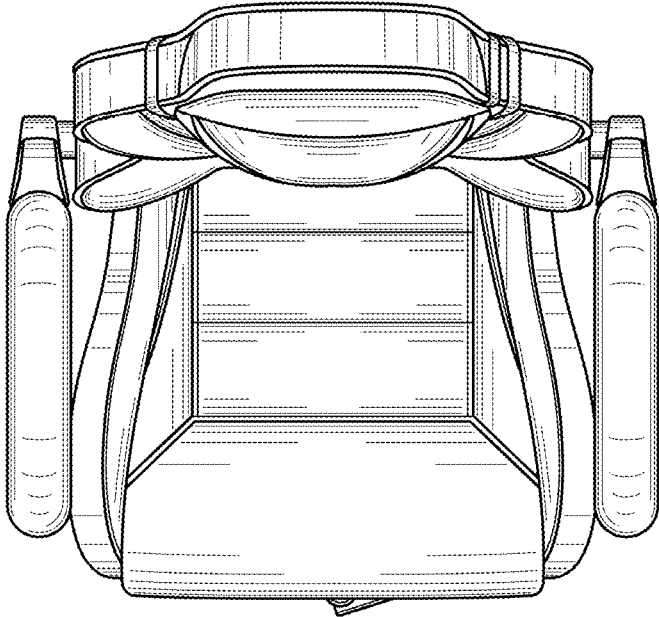


FIG. 6

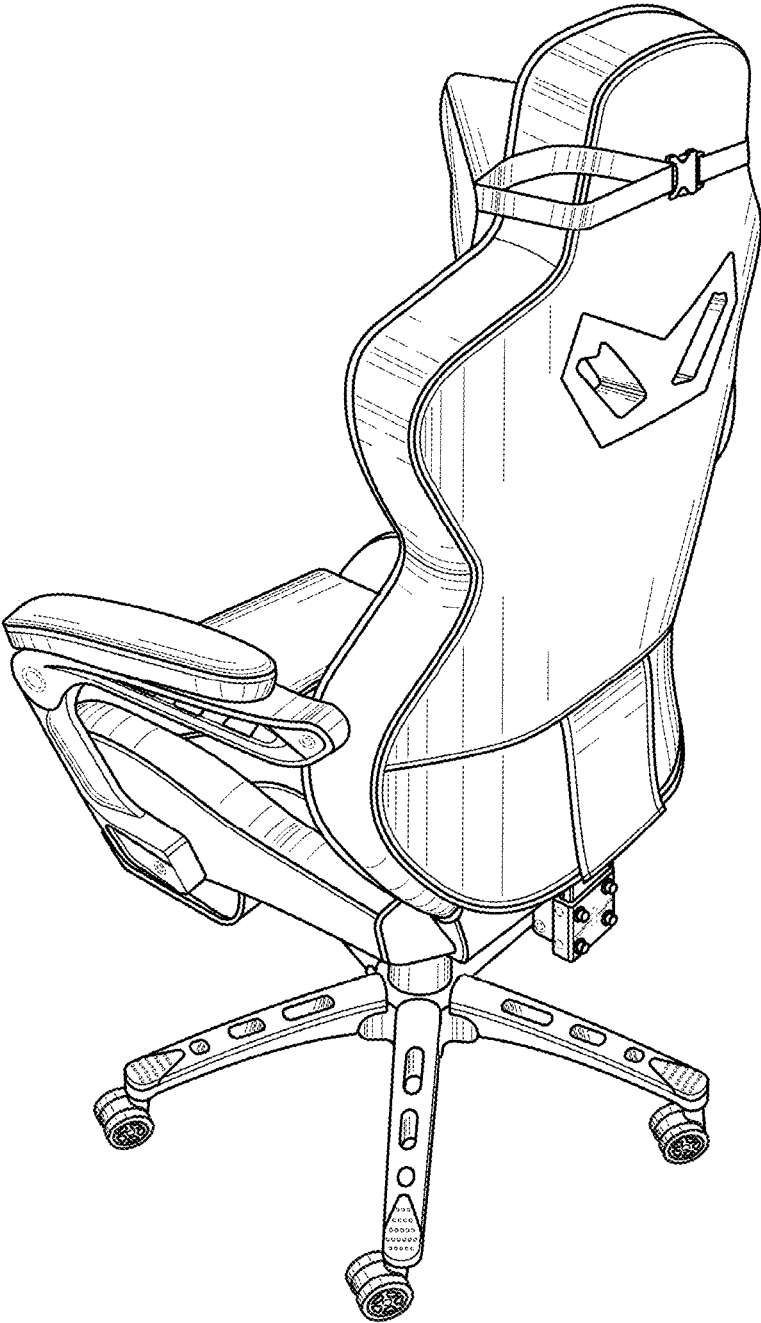


FIG. 7



FIG. 8