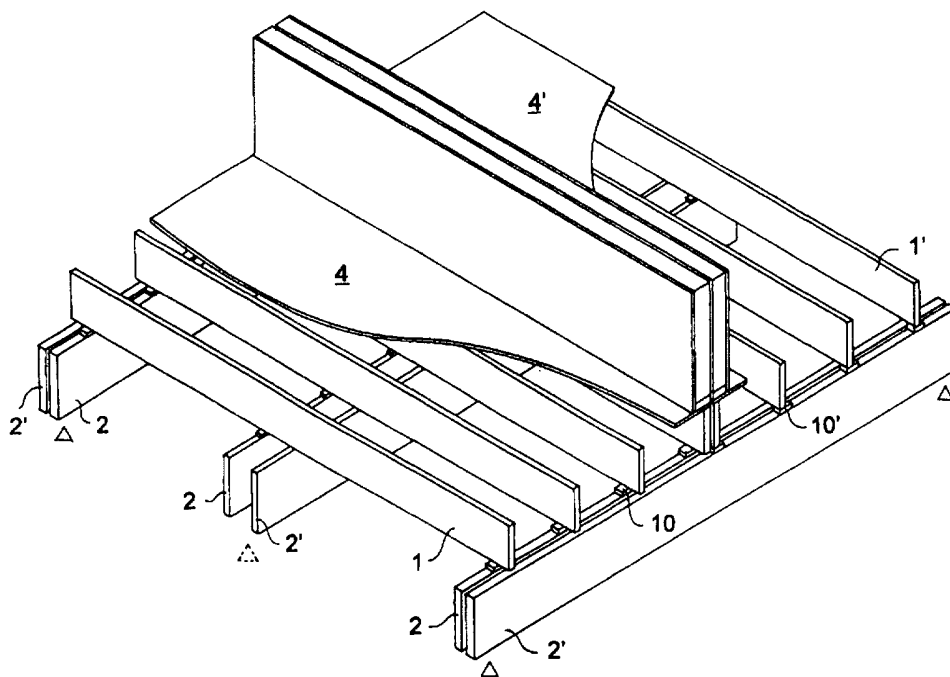




INTERNATIONAL APPLICATION PUBLISHED UNDER THE PATENT COOPERATION TREATY (PCT)

(51) International Patent Classification ⁶ : E04B 5/12, 1/82	A1	(11) International Publication Number: WO 97/21886 (43) International Publication Date: 19 June 1997 (19.06.97)
<p>(21) International Application Number: PCT/FI96/00632</p> <p>(22) International Filing Date: 22 November 1996 (22.11.96)</p> <p>(30) Priority Data: 955961 13 December 1995 (13.12.95) FI</p> <p>(71)(72) Applicant and Inventor: OLLIKAINEN, Ahto [FI/FI]; Kidetie 4, FIN-02460 Kantvik (FI).</p> <p>(74) Agent: OY JALO ANT-WUORINEN AB; Iso Roobertinkatu 4-6 A, FIN-00120 Helsinki (FI).</p>	<p>(81) Designated States: AU, BG, BR, BY, CA, CN, CZ, EE, GE, HU, JP, KR, LT, LV, MX, NO, NZ, PL, RO, RU, SI, SK, TR, UA, US, UZ, European patent (AT, BE, CH, DE, DK, ES, FI, FR, GB, GR, IE, IT, LU, MC, NL, PT, SE).</p> <p>Published <i>With international search report.</i> <i>In English translation (filed in Finnish).</i></p>	

(54) Title: BUILDING HORIZONTAL STRUCTURE



(57) Abstract

The present invention relates to a horizontal frame structure for supporting adjacent areas (4, 4', 4'') in buildings. The structure comprises joists/beams (1, 1', 1''; 2, 2') in at least one layer that can be grouped into isolated staggeredly supporting subarrays of joists/beams over a certain area. The areas (4, 4', 4'') to be sound-insulated from each other are supported each by only one subarray, respectively, of the staggered subarrays formed by the joists/beams (1, 2; 1', 2'; 1'').

FOR THE PURPOSES OF INFORMATION ONLY

Codes used to identify States party to the PCT on the front pages of pamphlets publishing international applications under the PCT.

AM	Armenia	GB	United Kingdom	MW	Malawi
AT	Austria	GE	Georgia	MX	Mexico
AU	Australia	GN	Guinea	NE	Niger
BB	Barbados	GR	Greece	NL	Netherlands
BE	Belgium	HU	Hungary	NO	Norway
BF	Burkina Faso	IE	Ireland	NZ	New Zealand
BG	Bulgaria	IT	Italy	PL	Poland
BJ	Benin	JP	Japan	PT	Portugal
BR	Brazil	KE	Kenya	RO	Romania
BY	Belarus	KG	Kyrgystan	RU	Russian Federation
CA	Canada	KP	Democratic People's Republic of Korea	SD	Sudan
CF	Central African Republic	KR	Republic of Korea	SE	Sweden
CG	Congo	KZ	Kazakhstan	SG	Singapore
CH	Switzerland	LI	Liechtenstein	SI	Slovenia
CI	Côte d'Ivoire	LK	Sri Lanka	SK	Slovakia
CM	Cameroon	LR	Liberia	SN	Senegal
CN	China	LT	Lithuania	SZ	Swaziland
CS	Czechoslovakia	LU	Luxembourg	TD	Chad
CZ	Czech Republic	LV	Latvia	TG	Togo
DE	Germany	MC	Monaco	TJ	Tajikistan
DK	Denmark	MD	Republic of Moldova	TT	Trinidad and Tobago
EE	Estonia	MG	Madagascar	UA	Ukraine
ES	Spain	ML	Mali	UG	Uganda
FI	Finland	MN	Mongolia	US	United States of America
FR	France	MR	Mauritania	UZ	Uzbekistan
GA	Gabon			VN	Viet Nam

Building horizontal structure

The present invention relates to a horizontal frame structure for a building, said structure being based on floor joists/beams which are placed over the area supported by the horizontal frame structure and arranged into a single- or multi-layer staggered array. Said horizontal frame structure can be used in a ground floor, party floor or top-level floor. The horizontal frame structure according to the invention facilitates the division of the area or space supported by said horizontal frame structure into subareas or segregated spaces which are effectively insulated from each other against flanking transmission of sound.

The present horizontal frame structure is particularly intended for use in lightweight buildings for the purpose of preventing flanking transmission of sound via structural elements between the spaces supported by the present horizontal frame structure. While the present invention is primarily intended for use in timber buildings, the invention may also be adapted to frame structures implemented by means of other materials.

Transmission of structurally propagated sound called flanking transmission between the different areas or spaces of a building is a problem particularly in buildings erected with lightweight materials lacking such inertial masses that normally provide sound insulation. Conventionally, insulation against flanking transmission between segregated spaces of a single storey in a lightweight building has been implemented by providing each space to be sound-insulated with an unconnected vertical frame structure to which the load-bearing floor joists of each isolated space are then supported. Such a bordering principle of sound-insulated spaces based on unconnected vertical frame structures makes the space reservations of superimposed spaces to be dependent on each other and

destroys the flexibility of space layout.

Furthermore, such a sound-insulating frame structure raises a need for an essentially overdimensioned foundation with respect to the overall weight of the building, since the support structures of the building's vertical frame are erected at points determined by the structural grid of the sound-insulated spaces onto the building's square area footprint, and each load-bearing column requires a separate load-receiving reinforcement in the building's foundation.

It is an object of the present invention to overcome the above-described drawbacks by virtue of the horizontal frame structure according to the invention. A particular benefit of the invention is therein that it permits independent layout of the sound-insulated areas and spaces partitioned over the area of the present horizontal frame structure regardless of the location of the supporting structures. This same freedom in the location of structures applies to both the spaces on the same level with the horizontal frame structure and those located thereabove and thereunder. The horizontal frame structure according to the invention facilitates the use of a simple frame structure, wherein the factors affecting the location of the vertical frame members are rationally based on the load-bearing capability of vertical frame building elements rather than on the need for sound insulation. The essential specifications of the horizontal frame structure according to the invention are disclosed in annexed claim 1. Additional specifications of the invention are disclosed in annexed claim 2.

In the following the invention is described in greater detail with reference to annexed diagrammatic drawings in which

Figure 1 shows a basic embodiment of the invention; and

Figure 2 shows alternative embodiments of the invention.

5 Referring to Fig. 1, therein is shown diagrammatically a sectional view of a building party floor illustrating an exemplifying embodiment of the principle of the invention.

10 The party floor comprises load-bearing joists 1 and 1' which are spaced over the party floor area according to a structural grid based on the load-bearing capacity required from the floor. The span of the joists in the party floor can be, e.g., a full modular length of the
15 building frame or, for a larger building, the party floor joists can be provided with intermediate support to limit the unsupported span of the joists to reasonable lengths. The supporting of the party floor joists is accomplished by girders 2 and 2', which further are supported by the
20 vertical frame. According to the basic concept of the invention, each of the girders 2, 2' supports only one of the areas 4 and 4', or alternatively, only one of the spaces which are bordered by said areas and are intended to be sound-insulated from each other against flanking
25 transmission.

Supporting with isolation against flanking transmission separately for each area can be implemented at each load-supporting point by virtue of spacers 10, 10' placed in a
30 staggered manner over the girders 2, 2', whereby the spacers are located so that one sound-insulated area 4 is supported by one girder-group 2 only, while the other soundinsulated area 4' is supported by the other girder-group 2' alone.

35

In the embodiment shown in Fig. 2, an alternative implementation of the invention is shown in which the isolated

supporting of areas 4, 4', which are sound-insulated against flanking transmission, is accomplished by means of floor joists 1, 1' and 1'' acting primarily as secondary supports. In the embodiment shown herein, to each load-bearing point are adapted two or three parallel joists, which are isolated from each other, whereby the number of joists is determined therefrom how many sound-insulated areas or spaces partitioned above said areas are desired to be supported by said load-bearing point. The staggered support for each area separately is achieved by means of spacers 5, 5' and 5'', which are appropriately placed between the floor area 4, 4' and 4'', respectively, and each selected floor joist so as to isolate the supported floor from the adjacent joist(s) intended to support other area(s).

The party floor joists 1, 1' and 1'', which are depicted as conventional lumber joists in the above-described exemplifying embodiment of the invention, may as well be selected from the group of gluelam, laminated veneer lumber or lattice beams manufactured in a conventional manner. Also different types of hollow-core beams are suitable for use within the scope of the invention. The invention may also be implemented in a horizontal load-bearing structure based on load-bearing slabs. Obviously, the slabs must be dimensioned with respect to the overall area of the horizontal frame structure so that the supporting of the isolated subareas can be borne by slabs of reasonable dimensions. In practice, such slabs can be relatively narrow hollow-core or ribbed slabs.

In a horizontal frame structure implemented according to the invention, the spans of the joists/beams may be relatively long. Resultingly, lateral vibrations may occur in the horizontal elements. The simplest method of suppressing lateral vibrations is to make the joists/beams into wide box-section elements. Also the above-mentioned slab

structure can suppress the lateral vibrations. In cases where these structures are considered unpracticable, it may be necessary to connect the joists of each isolated subarray to each other laterally. When such a lateral
5 bracing of joists spanned between a greater number of load-bearing points is implemented, it is essential to pass the bracing beam so that it will be connected to the joists of a single sound-insulating subarray while passing without contact through the joists belonging to the
10 other subarray(s).

Analogously, piping/ducts passed through the joists/beams such as air-conditioning, heating, water, sewer and electrical ducts must be isolated from the joists/beams
15 in either a noncontacting or sound-insulating manner.

The connection of the joists/beams to the areas supported by them can be made in the above-described manner by means of spacers which are placed on the joist/beam thus
20 transmitting the load of the supported area in a supporting manner to the joist/beam. In the simplest way this can be accomplished as shown in the diagram by means of spacer pieces 5, 5' and 5'', which are fixed onto the joists. The purpose of the spacer is to outdistance the
25 structural elements serving to isolate the structures of a certain sound-insulated area from the joists serving to support the other sound-insulated areas, whereby an isolating gap against flanking transmission is created between the joist(s) carrying the spacer(s) and the other
30 structural elements connected to the "other" supported areas.

The embodiments shown in the diagrams are related to a building party floor structure in which the structures
35 partitioning the areas above the structure are supported to a floor structure, which is further supported from below by separate joists selected by appropriately placed

spacers. The diagram of Fig. 2 also shows the party ceiling 9 of the next storey below that may in an analogous manner be supported in sound-insulated areas hung by isolated groups of supports in the same manner as the party floor above. Further analogously, the same isolation principle can be applied to the other structures of the space below that are connected to the joists of the over-lying floor.

10 The party floor structure according to the invention allows relatively free layout of spaces sound-insulated from each other over the area of the party floor, whereby the other structures used to partition the spaces must be designed with due caution as regards the isolation of
15 flanking transmission by conventional means. Further, the invention makes it possible to isolate a certain subarea within a certain area isolated against flanking transmission in, e.g., a flat or apartment space. An example of such an embodiment is the floor support of the washing
20 machine space which can be isolated from the floor support of the other areas of the flat.

Claims:

1. A horizontal frame structure for a building, said structure being based on isolated joists/beams (1, 1', 1''; 2, 2', 2'') which are placed over the area supported by the horizontal frame structure and arranged into a staggered single- or multi-layer array of joists/beams, characterized in that at least one arrayed layer is comprised of joists/beams (1, 1', 1'' or 2, 2', 2''), each of which being adapted to support and/or brace respectively only one of the areas (4, 4', 4'') which are associated with said horizontal frame structure and are bordered by a plane orthogonal to the joists/beams of said array.
2. A horizontal frame structure as defined in claim 1, characterized in that said sound-insulating supporting and/or bracing system is accomplished by means of spacers (5, 5', 5''; 10, 10'') placed upon said joist/beam (1, 1', 1'' and/or 2, 2', 2''), or alternatively, by means of the countouring of said joist/beam and/or the supported building structure.

1/2

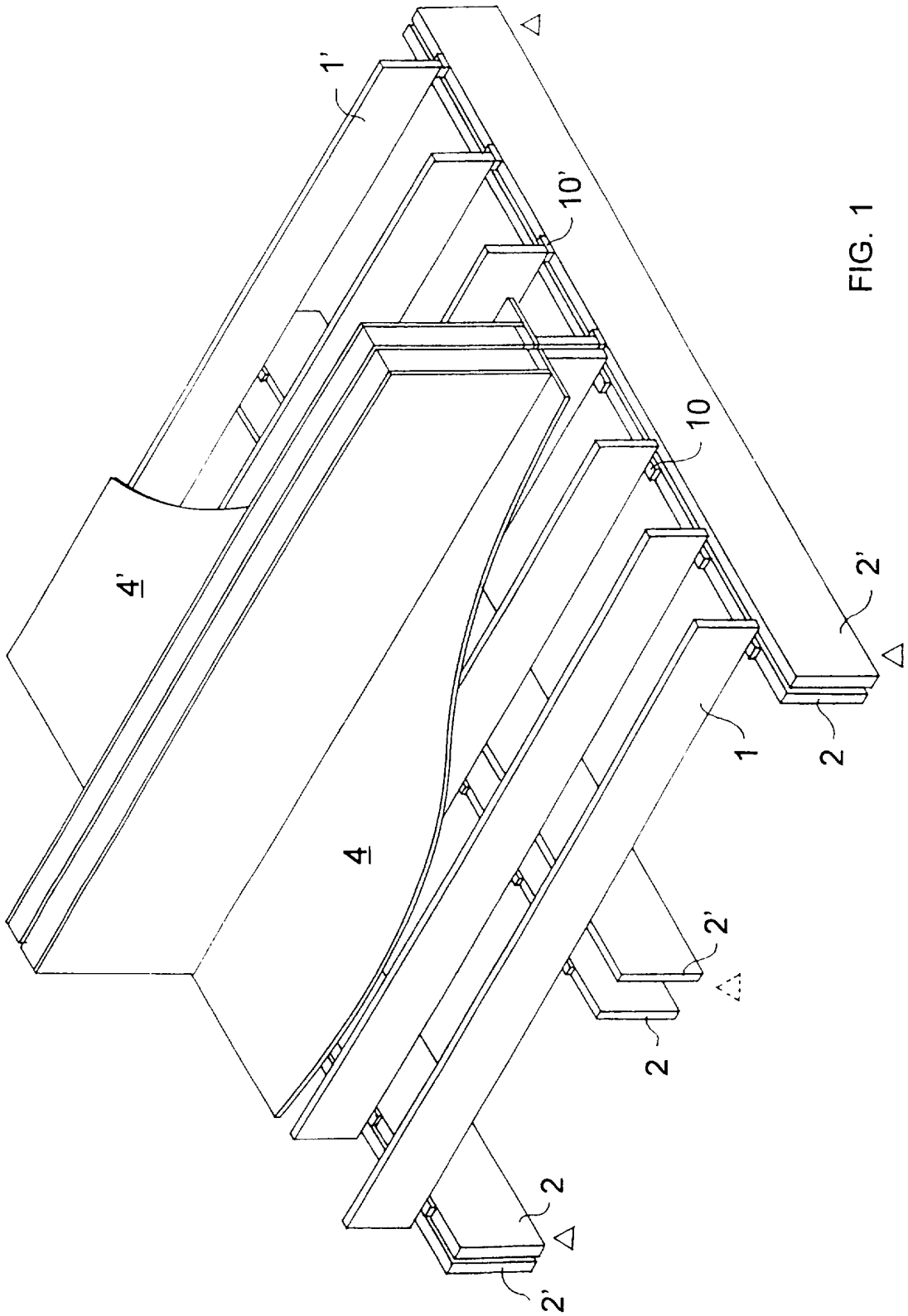


FIG. 1

2/2

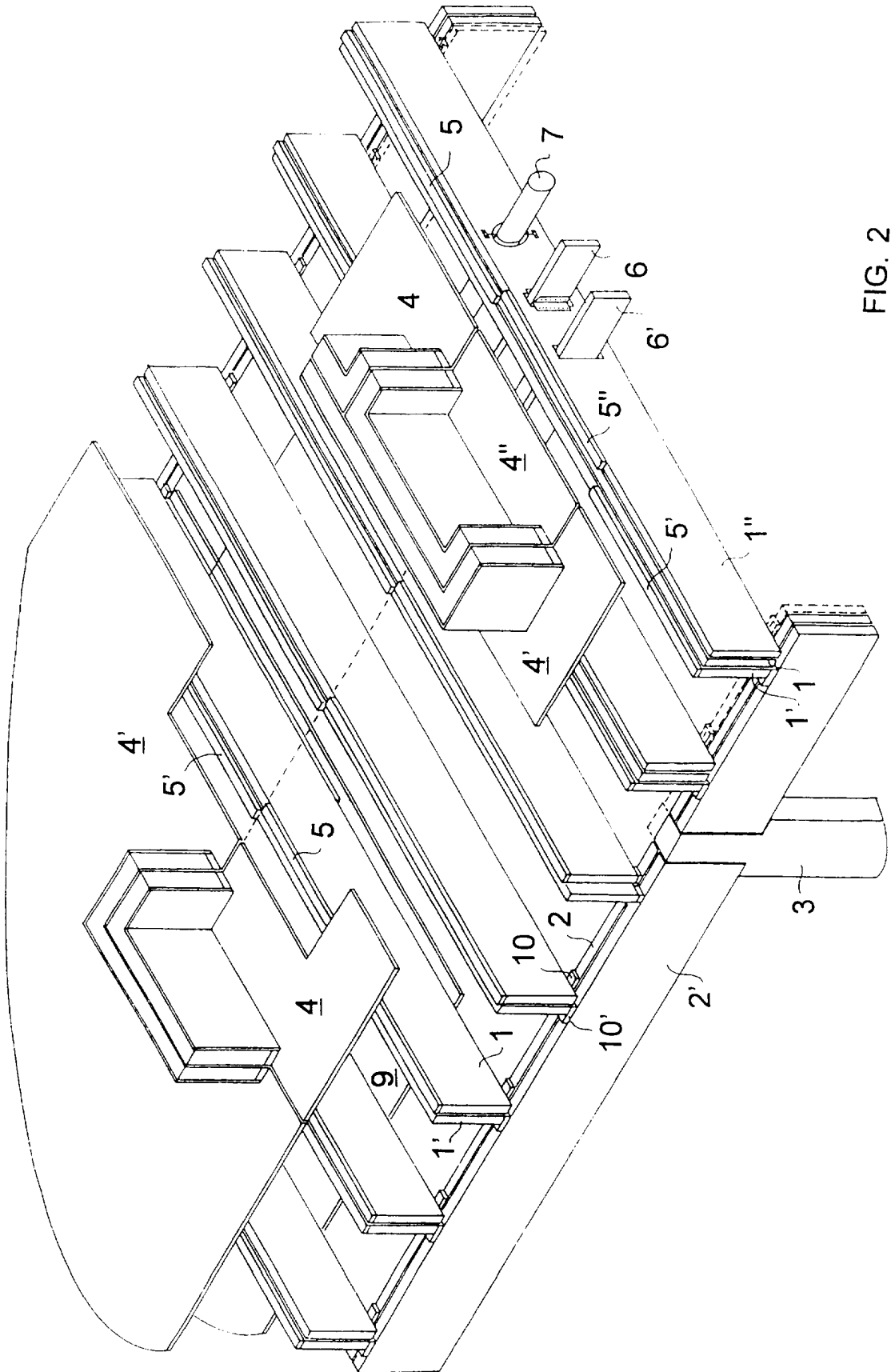


FIG. 2

INTERNATIONAL SEARCH REPORT

International application No.

PCT/FI 96/00632

A. CLASSIFICATION OF SUBJECT MATTER

IPC6: E04B 5/12, E04B 1/82

According to International Patent Classification (IPC) or to both national classification and IPC

B. FIELDS SEARCHED

Minimum documentation searched (classification system followed by classification symbols)

IPC6: E04B

Documentation searched other than minimum documentation to the extent that such documents are included in the fields searched

SE,DK,FI,NO classes as above

Electronic data base consulted during the international search (name of data base and, where practicable, search terms used)

EPODOC, WPI, PAJ

C. DOCUMENTS CONSIDERED TO BE RELEVANT

Category*	Citation of document, with indication, where appropriate, of the relevant passages	Relevant to claim No.
A	WO 9119064 A1 (EDINBURGH ACOUSTICAL COMPANY LIMITED), 12 December 1991 (12.12.91), figure 1, abstract --	1-2
A	Svensk Byggtjänst, Svensk Byggekatalog, okt -94, Häfte 25, sid 21, "Värnamo Stomljudsisoleringslist -- -----	1-2

 Further documents are listed in the continuation of Box C. See patent family annex.

* Special categories of cited documents:

"A" document defining the general state of the art which is not considered to be of particular relevance

"E" earlier document but published on or after the international filing date

"L" document which may throw doubts on priority claim(s) or which is cited to establish the publication date of another citation or other special reason (as specified)

"O" document referring to an oral disclosure, use, exhibition or other means

"P" document published prior to the international filing date but later than the priority date claimed

"T" later document published after the international filing date or priority date and not in conflict with the application but cited to understand the principle or theory underlying the invention

"X" document of particular relevance: the claimed invention cannot be considered novel or cannot be considered to involve an inventive step when the document is taken alone

"Y" document of particular relevance: the claimed invention cannot be considered to involve an inventive step when the document is combined with one or more other such documents, such combination being obvious to a person skilled in the art

"&" document member of the same patent family

Date of the actual completion of the international search

13 March 1997

Date of mailing of the international search report

18.03.97

Name and mailing address of the ISA/
Swedish Patent Office
Box 5055, S-102 42 STOCKHOLM
Facsimile No. +46 8 666 02 86

Authorized officer

Cecilia Bergold
Telephone No. +46 8 782 25 00

