

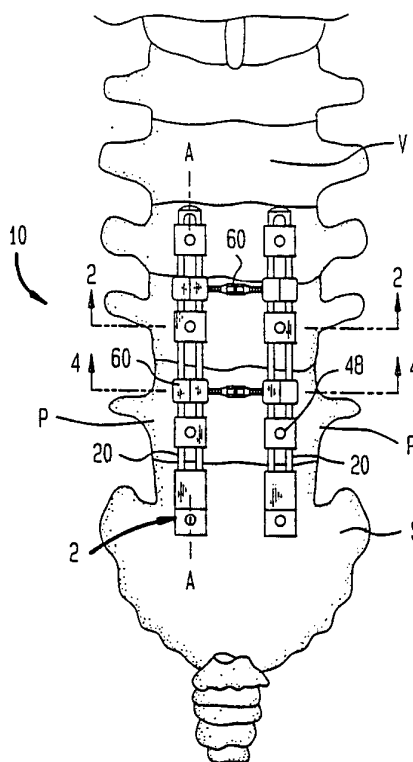


INTERNATIONAL APPLICATION PUBLISHED UNDER THE PATENT COOPERATION TREATY (PCT)

<p>(51) International Patent Classification ⁵ : A61B 17/56</p>	<p>A2</p>	<p>(11) International Publication Number: WO 94/06361 (43) International Publication Date: 31 March 1994 (31.03.94)</p>
<p>(21) International Application Number: PCT/US93/08475 (22) International Filing Date: 9 September 1993 (09.09.93) (30) Priority data: 944,206 10 September 1992 (10.09.92) US (71) Applicant: H.D. MEDICAL, INC. [US/US]; 5995 Southwest 71 Street, Third Floor, South Miami, FL 33143 (US). (72) Inventors: JACOBSON, Robert, E. ; 3250 Grenada Blvd., Coral Gables, FL 33143 (US). MIRSON, Brian, J. ; 11832 Southwest, 79th Terrace, Miami, FL 33183 (US). (74) Agents: REIN, Barry, D. et al.; Pennie & Edmonds, 1155 Avenue of the Americas, New York, NY 10036 (US).</p>		<p>(81) Designated States: BR, CA, JP, European patent (AT, BE, CH, DE, DK, ES, FR, GB, GR, IE, IT, LU, MC, NL, PT, SE). Published <i>Without international search report and to be republished upon receipt of that report.</i></p>
<p>(54) Title: SYSTEM AND METHOD FOR STABILIZING BONE SEGMENTS</p>		

(57) Abstract

An apparatus for stabilizing a plurality of bone segments, such as vertebrae of a spinal column, comprises one or more fixation devices. Each fixation device comprises an elongated rod having a longitudinal slot through its upper and lower surfaces and having threaded lateral surfaces. Slotted or axially threaded block members are slideably or rotatably movable along each rod into predetermined positions corresponding to locations selected for securing the apparatus to the bone. Posts are provided having threaded distal ends, such that the distal end of each such post is inserted into the bone. The proximal end of each post is passed through the longitudinal slot in the rod and also through a vertical bore in the block member. The locations at which corrective forces are applied by the posts may be changed relative to the rods in three planes. A transverse connector system, included when at least two implant sets are used permits the implant sets to be spaced different distances apart and at different angular orientations.



FOR THE PURPOSES OF INFORMATION ONLY

Codes used to identify States party to the PCT on the front pages of pamphlets publishing international applications under the PCT.

AT	Austria	FR	France	MR	Mauritania
AU	Australia	GA	Gabon	MW	Malawi
BB	Barbados	GB	United Kingdom	NE	Niger
BE	Belgium	GN	Guinea	NL	Netherlands
BF	Burkina Faso	GR	Greece	NO	Norway
BG	Bulgaria	HU	Hungary	NZ	New Zealand
BJ	Benin	IE	Ireland	PL	Poland
BR	Brazil	IT	Italy	PT	Portugal
BY	Belarus	JP	Japan	RO	Romania
CA	Canada	KP	Democratic People's Republic of Korea	RU	Russian Federation
CF	Central African Republic			SD	Sudan
CG	Congo	KR	Republic of Korea	SE	Sweden
CH	Switzerland	KZ	Kazakhstan	SI	Slovenia
CI	Côte d'Ivoire	LI	Liechtenstein	SK	Slovak Republic
CM	Cameroon	LK	Sri Lanka	SN	Senegal
CN	China	LU	Luxembourg	TD	Chad
CS	Czechoslovakia	LV	Latvia	TG	Togo
CZ	Czech Republic	MC	Monaco	UA	Ukraine
DE	Germany	MG	Madagascar	US	United States of America
DK	Denmark	ML	Mali	UZ	Uzbekistan
ES	Spain	MN	Mongolia	VN	Viet Nam
FI	Finland				

- 1 -

SYSTEM AND METHOD FOR STABILIZING BONE SEGMENTSBACKGROUND OF THE INVENTION

5

Technical Field

The present invention relates generally to a system and method for stabilizing and immobilizing a plurality of adjacent bone segments. A typical, but
10 non-limiting application of this system is in the field of posterior spinal fixation wherein a single system can be readily adapted for simple stabilization of adjacent vertebra or to effect the controlled angulation needed for reduction and distraction.

15

Description of the Prior Art

Posterior spinal stabilization systems are typically used for the treatment of conditions involving vertebral displacement such as kyphosis,
20 spondylolisthesis and rotation; segmental instability, such as disc degeneration and fracture caused by disease, trauma, and congenital defects; and tumor diseases. The preferred method of spinal stabilization is immobilization of the affected
25 joint(s) by surgical fusion, or arthrodesis. In order to permit fusion of adjacent vertebrae, immediate immobilization of any affected joints is necessary, which is preferably performed by internal fixation.

Internal fixation refers to methods of
30 stabilization which are wholly internal to the patient and which include commonly known appliances such as bone plates or rods, hooks, and screws. Internal fixation is now the favored means of immobilization since the lack of external components allows the
35 patient greater freedom of movement and reduces the possibility of infections. Prior art devices for

internal posterior spinal fixation generally incorporate one of two basic design developments, top loading transpedicular plate systems and side loading elongated rod distraction/compression fixation systems.

Transpedicular plate systems comprise one or more parallel elongated plates having spaced apertures or longitudinal slots through which pedicle screws may be received and secured by appropriate fastening devices. The pedicles are a favored area of attachment upon the vertebrae since they offer an area of sufficient size, depth, and strength to hold the fixation device. Transpedicular screw and plate systems rely on a screw threaded into a reamed canal generally positioned perpendicular to the longitudinal axis of the spine and horizontal or parallel to the anterior/posterior plane of the vertebral body. Methyl methacrylate is sometimes used to secure the screw in the canal, particularly if the screw loosens or osteoporosis is a problem. The screws engage a plate which has been bent to conform to the normal curvature of the spine or to the points of desired reduction.

A transpedicular screw and plate system developed by Roy-Camille utilizes plates having spaced, predrilled holes. The pedicles are located, reamed, tapped, and two screws are inserted into each vertebral body. Corticocancellous bone graft is placed in the lateral gutter over the transverse processes. The upper portion of each screw is threaded and extends through a respective hole in the plate, being held there by a corresponding nut. This simple system was "top loading" in that it allows the surgeon to tighten all appliance connections through the center of the plate and from the top. However, although the Roy-Camille system immobilized or fixated

the spinal segments, it provided minimal ability to apply any corrective forces thereto and forced the screw into a non-anatomic position to conform to the preformed holes.

A later top loading system, developed by Steffee, is known as the Variable Spinal Plate (VSP) system. Using the Steffee system, screws are inserted into the pedicles as described above. Slotted plates are contoured to a desired sagittal curvature and placed over the screws, following which tapered nuts are threaded onto the screws. The screws are then tightened bilaterally until the plate is locked between two nuts. The VSP system allows some limited application of corrective forces to the vertebrae along both axial and vertical directions but does not permit controlled angular positioning of the pedicle screws. Thus one drawback of the VSP system is that it is limited to fixation in two planes.

U.S. patent No. 5,084,049 to Asher et al. discloses a transpedicular plate system which permits fixation in three planes by using a transverse connector member to maintain the two slotted plates in a selected spaced relationship. Clamps at opposite ends of the transverse connector secure respective slotted plates at a desired angular orientation with respect to the horizontal plane. The Asher system, however, does not permit the surgeon to vary or control the angulation of the screws segment by segment, and it is not top loading in that the transverse connector requires tightening of set screws from the side.

A significant drawback of the above described slotted plate systems is that the risk of pedicle screw breakage is increased because of the need to conform the plates to sagittal curvature by bending.

Specifically, to the extent that the angle of a screw varies from a perpendicular relationship to the portion of the plate to which it is affixed, the screw will be forced to either bend or seat in a position which generates constant torque. Variance from a perpendicular relationship may thus result in constant unidirectional torque of the screw against one wall of the pedicle, which may in turn cause weakening of the screw, erosion of the bone or undesirable shifting of the vertebrae-to-adjacent-vertebrae angular relationship.

Where treatment requires the introduction of corrective forces to the vertebrae at various transverse angles to the horizontal plane (i.e., reduction/distraction), present systems employ a system of elongated rods having circular cross sections. The circular cross section of the rods permits rotation of appliances which secure bone hooks or screws to the rod. Once the surgeon determines how much corrective force he wishes to apply to each vertebrae, the elongated rods of these systems are bent to achieve the desired spacing between the rod and each of the given vertebrae to be corrected. Combinations of hooks (laminar, pedicle, and transverse), sacral attachments (screws or rod extensions), or supporting wires are then connected to the rods at desired locations using the rotatable appliances. Examples of such systems include the Harrington distraction system sold by Zimmer USA, Inc., the Keene system shown in U.S. patent No. 4,269,178, and the Lewis-Greenlaw system illustrated in U.S. patent No. 4,085,744.

These systems are side loading in that the hooks and screws which are secured to the rod must be fastened along lines which are spaced from the

longitudinal axis of the rod. Because of this spacing, the side-loading rod systems are more difficult to install than top-loading, slotted plate systems, especially where deep, angled incisions are involved (such as in fixation of the low lumbar spine).

Another drawback of the elongated rod systems is their susceptibility to rotational misalignment. Specifically, the aforementioned spacing between the longitudinal axis of the rod and the post attachment point creates a considerable risk of in situ rotational displacement because the reactive forces of the posts are directed about the center axis of the rods. The greater the spacing between the post connection point and the rod center axis, the greater the risk of rotational displacement of the rod.

The recently developed AMSET™ R-F system also utilizes threaded rods to effect segment by segment angular positioning of pedicle screws. Unlike the elongated rod systems discussed above, however, the R-F system also provides some of the benefits associated with the top loading slotted plate systems. To effect angular positioning relative to a vertical plane transverse to the longitudinal axis of the rod, the R-F system employs screws which have a unique U-shaped head design, wherein the threaded portion of the screw is available at angles of 0°, 5°, 10°, and 15° relative to the head. The head defines a channel dimensioned to receive the threaded rod. Rotation of the head relative to the rod effects angular positioning relative to a horizontal plane. A pair of traction nuts engage respective faces of the head to maintain the screw in the desired orientation. When only simple fixation is required, the R-F system utilizes a specially machined block having a smooth

vertical bore for receiving the upper threaded portion of a pedicle screw and a horizontal bore for sliding movement along the rod. Blocks are slid into desired
5 positions along the rod to line up with inserted pedicle screws and are locked in place by pairs of traction screws. When the rod is installed, the respective blocks receive corresponding screws and nuts are tightened thereon to lock the rod into
10 position.

Although the R-F system does provide an elongated rod system capable of providing both top loading simple fixation and selected segment by segment angular correction, it does not provide all of the
15 benefits of the slotted plate system. Specifically, when used to provide simple fixation, it still suffers from the risk of unbalanced reactive forces as a result of the spacing between the axis of the rod and the post attachment points.

20 Thus, it should be apparent that in exchange for their ability to allow graded, angular movement at each segment, the elongated rod systems sacrifice the simplicity and rotational stability of slotted rod systems. Accordingly, unless the treatment requires
25 segment by segment angular positioning of the screws, it will generally be more appropriate to use a slotted plate system.

Heretofore, the distinct advantages of the slotted plate systems and the elongate rod systems
30 have required the surgeon to learn how to use a form of each system and the hospital to buy or have access to a variety of different systems, depending upon the preference of the surgeons practicing therein. Using the available systems of the prior art, the surgeon
35 must preoperatively decide on the type of fixation treatment required and then chose an appropriate

system to use. There has thus been a long felt need by those in this art for a single system offering all the advantages of the prior systems, which may be adapted to a variety of differing operative conditions and applications, which also provides variable types of control at each level as needed.

SUMMARY OF THE INVENTION

10

The present invention thus presents a versatile new system capable of the simple, top loading fixation provided by the slotted plate systems and the selective angular correction provided by the elongated rod systems. Specifically, the system of the present invention can be used either as a simple slotted plate when that is sufficient or can accommodate a graded movement at any segment, as needed. A new post member design allows variable controlled angles and three plane adjustment.

20

The present invention is deemed to have general application in the stabilization of adjacent bone segments throughout the body of a patient and particular application to the stabilization of vertebrae in the thoracolumbar, lumbar, and sacral spine. For convenience therefore, the invention is described herein with reference to its use in spinal fixation, but this description should not be construed as limiting the invention to this particular application since the device described herein works equally well in stabilizing bones other than those in the spine.

25

30

There are problems of fixation unique to the lumbar area of the spine such as the fact that this area is normally lordotic and this lordosis must be preserved. In addition, there is a need to provide

35

corrective forces in the case of a fracture or a deformity. Additionally, the points of sacral fixation are the weakest point of fixation and
5 therefore require special accommodations. These problems are specifically addressed by the present invention.

The present invention is a device for the stabilization of one or more bone segments comprising,
10 in one embodiment, a single fixation assembly as described below, i.e., for use with bones other than the spine, or alternately, in a further embodiment, two interconnected fixation assemblies for use in stabilizing and/or adjusting the bones of the spine.
15 Each such assembly comprises an elongated rod member having a threaded exterior portion, said rod defining at least one slotted opening extending entirely therethrough from a first upper surface to a second lower surface thereof. The assembly further comprises
20 at least two anchor means for securing the device to one or more bone segment(s). Each anchor means comprises a post member, having a threaded distal end for engaging a bone and a proximal end configured and adapted to extend through the opening in the rod and
25 locking means engageable with the proximal end of said post member for locking the elongated rod to the post. In one embodiment, one or more of the post members may be "bent" i.e., having a portion thereof longitudinally offset or "angled" from the vertical,
30 to provide the capability of variably angling the stabilization device of the invention as desired relative to the surface of the bone.

Each elongated rod comprises upper and lower surfaces through which the opening in the rod extends
35 and first and second lateral surfaces which are externally threaded. Moreover, each post member

comprises a shoulder portion located between its proximal and distal ends, which shoulder portion is positioned and adapted for engagement with a lower surface of said locking means. The assembly further includes a plurality of spacers. The spacers are engageable with the shoulder portion of the post member for controlling the distance between the shoulder portion and the lower surface of the locking means.

The locking means comprises a block nut member having both an axial opening and a vertical opening extending therethrough. The axial opening receives the elongated rod while the vertical opening of the block nut member receives the proximal end of a corresponding post member. The locking means further comprises means for retaining the proximal end of the post member after it has been received in the vertical opening of the block nut member and for retaining the post member in fixed relation with the block nut member, either perpendicularly or at an incremental angle.

In one embodiment of the present invention, the axial opening of the block nut member comprises a threaded bore. The block nut member is thus in threaded engagement with the elongated rod for rotatable movement therealong, wherein the threads provide a locking engagement between the rod and the block to prevent unwanted axial movement by the block along the rod. In one version of this embodiment, the axial opening intersects the vertical opening within the block nut member. In another version, the vertical opening is offset from the axial opening, i.e., they do not intersect.

In yet another embodiment, the axial opening is configured as a slot, i.e., it is not threaded, and

the block nut member is thus slideably movable along the elongated rod. The locking means used with the subject embodiment thus further comprises means for
5 securing said slotted block nut member in a predetermined position relative to said elongated rod. One example of such securing means comprises adjustable traction nuts positioned upon the rod on either side of and abutting against the block nut
10 member to control movement of said member along the rod for permitting distraction or compression of the bone.

The present invention further includes means for maintaining a pair of said rod members in
15 predetermined spatial relation to each other, said means comprising an elongate connecting member extendable between the rod portion of each fixation assembly, first attaching means for connecting a first portion of the elongate connecting member with a first
20 one of the elongated rod members, and second attaching means for connecting a second portion of the elongate connecting member with the other elongated rod such that, by rotating the elongate connecting member, the action of cooperating threaded portions upon the
25 attaching means and the elongate connecting member causes the elongated rod members to be drawn together or pushed apart, depending upon the direction of rotation which is chosen, i.e., clockwise or counterclockwise. The attaching means are preferably
30 clamping assemblies, each comprising a pair of clamp members configured and adapted to work in unison for gripping engagement of both longitudinal sides of the elongated rod member. These clamp members are threaded to permit locking engagement with the
35 threaded outer surface by the elongated rod.

The invention additionally includes end blocks positioned at a lower (i.e., adjacent the sacrum) terminal portion of the elongated rod for securing each said elongated rod to a patient's sacrum. Each end block defines a first aperture configured for receiving the elongated rod and a second aperture adapted for receiving a sacrum engaging screw which has a threaded distal portion similar to that of a post member but wherein the proximal portion is provided with a bolt head. The first aperture defines a first axis and the second aperture defines a second axis intersecting with the first axis, wherein the first and second axes intersect at an angle of between about 65 and 90 degrees.

The system of the invention additionally includes a bore adjustment member intended for use where (1) a post member for affixing a block nut member (either threaded or slotted) to a vertebra, or (2) a screw for attaching an end block to the sacrum, is broken or loosened from within its bore hole and therefore must be repaired or replaced. The bore adjustment member is interposed between the post (or the screw) and the corresponding bone, and is provided with an augur thread configuration upon its outer surface adapted to permit creation of a bore within the bone having a width greater than that of the originally emplaced post or screw.

A repair is thus effected by removing the damaged post or screw and twisting the bore adjustment member into the bone until the upper surface of the member lies flat upon the surface of the bone, after which a new post (or screw) is inserted into a threaded axial inner bore portion of the member having a pitch and a diameter corresponding to that of the threaded distal portion of the post or screw, whichever is used. The

member may thus be provided in variety of different sizes to correspond to the dimensions of several different sized posts and/or screws used in a number
5 of applications.

BRIEF DESCRIPTION OF THE DRAWINGS

FIG. 1 is a plan view of one embodiment of the
10 present invention;

FIG. 2 is an enlarged cross sectional view of the embodiment of FIG. 1 connected to a vertebra, taken approximately along line 2-2 in FIG. 1;

FIG. 3 is perspective view of the embodiment of
15 FIG. 1;

FIG. 4 is an enlarged cross sectional view of the transverse connector for use in joining the slotted rods of the embodiment of FIG. 1, taken approximately along line 4-4 in FIG. 1;

FIG. 4a is an enlarged perspective view of an
20 inner portion of one of the clamp assemblies illustrated in FIG. 4;

FIG. 4b is an enlarged cross sectional view of an outer portion of one of the clamp assemblies
25 illustrated in FIG. 4;

FIG. 5 is a cross sectional view of a spacer situated between the block nut member and the bone screw shoulder of the embodiment of FIG. 1.

FIG. 6 is a plan view of an alternate embodiment
30 of the present invention;

FIG. 7 is an enlarged cross sectional view of the embodiment of FIG. 6 connected to a vertebra, taken approximately along line 7-7 in FIG. 6;

FIG. 8 is perspective view of the embodiment of
35 FIG. 6;

FIG. 9 is a plan view of a further embodiment of the present invention;

FIG. 10 is an enlarged cross sectional view of the embodiment of FIG. 9, taken approximately along line 10-10 in FIG. 9; and

FIG. 11 is a perspective view of a sacrum insert repair set adapted for use with the present invention.

10 DETAILED DESCRIPTION OF THE INVENTION

One embodiment of the present invention is illustrated in FIG 1. A portion of a spinal column is shown, including a plurality of vertebrae V and a sacrum S. The fixation device generally indicated at 15 10 includes a pair of rod members 20 which are connected to several vertebra V, at respective pedicle portions P thereof, to obtain the desired relative positions therebetween.

20 Each of the rod members 20 is elongate and has a length sufficient to span several vertebrae V which are to be immobilized. It will be readily appreciated that rod members 20 may either be substantially straight or, alternately they may be 25 curved at a predetermined angle, although such curvature (in contrast to the prior art systems discussed above) is not required. In addition, rod members 20 are provided in a variety of lengths as required to achieve stabilization and application of 30 correcting forces in a given area. It will also be apparent that the rod members 20 may be located anywhere along the bone segments to be immobilized and that the location illustrated in FIG. 1 is for illustrative purposes only.

35 Further, as previously noted, the system of the present invention may be used in a variety of

applications for stabilizing, immobilizing and/or adjusting a plurality of bone segments located in a variety of locations within a patient's body, i.e., in addition to its use as a spinal fixation device. Thus the present description, which is provided only for purposes of illustration to assist in understanding the invention, should not be construed as limiting the use of the system only to spinal fixation.

As best shown in FIG. 3, the upper and lower surfaces 22 and 24, respectively, of each rod member 20 are planar, i.e. flat, and longitudinally continuous. The side surfaces 26 and 28 are arcuate and externally threaded. Although it is preferred that surfaces 26 and 28 be threaded along the entire length of rod member 20, it is contemplated that any arrangement of threaded and non-threaded sections might be used. For example, rods 20 might be provided, if desired, with an alternating arrangement of threaded and non-threaded segments along surfaces 26 and 28.

An elongated slot 18 extends through surfaces 22 and 24 of each rod 20. A single slot is preferred because it permits infinite adjustability along the length of the rod. However, any longitudinal arrangement of slots or other apertures is contemplated. For example, a plurality of slots may be provided in each rod at spaced intervals. These slots may be of constant or varying lengths as desired. Alternatively, a plurality of spaced vertical bores might also be used. In a preferred embodiment, rod members 20 are 8 mm in diameter with a 4 mm slot.

Adjustably positioned along the rod members are a plurality of block nut members 30. Each block nut member 30 has a vertical bore 32 and a threaded axial

bore 34. The diameter and thread of the axial bore 34 corresponds to the external diameter and thread of the rod 20, as defined by threaded surfaces 26 and 28.

5 When a block nut member 30 is properly positioned on the rod member 20, vertical bore 32 is aligned with slot 18. It should be apparent that the ability to move block nut members 30 along the rod permits the system to be adapted to fit any linearly spaced
10 arrangement of fastener assemblies 40, as will be described below.

The vertical bore 32 of block nut member 30 is configured to receive a fastener assembly 40, as illustrated in FIGS. 2 and 3, to connect each of the
15 rod members to a pedicle P of the vertebra V. As best seen in FIGS. 2 and 3, each fastener assembly 40 includes a post member (also referred to herein as a "post") 42 having a threaded portion 44 (preferably in 6 mm and 7 mm diameters with varying lengths) threaded
20 into a cancellous portion of the vertebra V. A shoulder 46 on the post spaces rod member 20 away from the vertebra V and provides for a smooth interface with the bone.

Post member 42 includes a second threaded portion
25 48 which extends through the slot 18 of rod member 20 and passes through vertical bore 32 in block nut member 30. Once rod 20 and block nut member 30 are penetrated by threaded portion 48, block 30 can no longer rotate and thereafter becomes fixed.

30 Although the post members 42 illustrated in FIG. 2 are substantially vertical, it is also contemplated, as shown, for example, in FIGS. 3 and 8, to provide posts 42a which are longitudinally "bent" at the shoulder portion, i.e., at angles of between about 5-
35 15 degrees from their vertical axis. In a preferred embodiment, in addition to the substantially vertical

posts 42 described herein, posts 42a are provided having a longitudinal bend of 5, 10 or 15 degrees. Such bent posts permit (with the use of spacer members
5 as described below) the surgeon to install the device of the invention at locations where rod member 20 is not exactly aligned with the bore holes in the underlying vertebrae, i.e., due to a weakness or deformed condition of the bone.

10 The fastener assembly 40 also includes a post nut 50 which is tightened on threaded portion 48 of the post member to lock rod member 20 in position. In the preferred embodiment the proximal portion 48 of the post 48 is "shaved" or narrowed on two sides to
15 provide an effective width of about 4 mm (with a corresponding thickness of about 6 mm). The purpose of this shape is three-fold. First, it permits the upper portion of post member 42 to fit smoothly through the slotted portion of rod member 20. Second,
20 once the post is inserted through the slot in the rod member, it promotes stability of the assembly by preventing rotation of the post within the slot. Thirdly, due to its threaded configuration, it permits the use of a lock nut (as described below) to bind the
25 assembly together.

Beveled recesses are provided on opposite surfaces of the block nut member around the vertical bore 32, and corresponding beveled surfaces are also provided on lock nut 50 and shoulder portion 46 so as
30 to provide a tight fitting engagement which inhibits movement of the rod member relative to the post 42.

As shown in FIG. 3, aperture 49 (preferably 3 mm in diameter) is provided in the proximal end of each post member 42 (and 42a), thus permitting small
35 adjustments to be made to the vertical position of each post through the insertion and movement of a tool

(not shown) such as an allen wrench or the like, which also doubles as a handle to facilitate the movement of the post. Aperture 49 may optionally be threaded to
5 more securely engage the adjusting tool. In addition, apertures 52 provided in post nut 50, are configured and adapted for insertion of a stop member such as an allen screw or the like, inserted at an angle for easy placement, which may be utilized if desired to lock
10 nut 50 on threaded portion 48.

The rod members 20 should be able to withstand lateral bending forces and torsion since the system may be used to correct spinal displacement and curvature. However, the rods, block nut members, and
15 fasteners must also be constructed from materials which are biocompatible with human tissue. It will be understood that any materials which possess sufficient strength and biocompatibility may be used in constructing the present invention. Titanium, cobalt
20 chromium surgical implant alloy or strain hardened stainless steel have been found to display suitable strength and biocompatibility characteristics for use in constructing the present invention and are therefore preferred for this purpose.

When two rod assemblies are utilized, e.g., for
25 spinal fixation, a pair of transverse connectors 60 (FIGS. 1 and 4) interconnect the rod members 20. The transverse connectors 60 block relative movement of the rod members so the vertebrae V connected to the
30 rod members are maintained in their desired relative positions and do not pivot relative to an anterior-posterior axis or a longitudinal central axis A of the spinal column. The transverse connectors 60 are located at longitudinally spaced portions of the rod
35 members so that the resulting structure approximates a parallelogram. It will, of course, be apparent that

the transverse connectors may be located anywhere along the threaded surfaces of rod members 20.

As best seen in FIG. 4, each transverse connector 5 60 includes an elongate member 62 having a first axial end portion 64 with, for example, a righthand thread and a second axial end portion 66 with an opposed, i.e., lefthand, thread. A drive portion 68 is located intermediate the first and second axial end portions 10 64 and 66 and receives a suitable tool (not shown) for applying a torque to the member 62 and rotating the member about its longitudinal central axis N in either direction, i.e., clockwise or counterclockwise. The drive portion 68 preferably has a hexagonal shape 15 taken in a plane extending perpendicular to the longitudinal central axis N of the member 62. The drive portion 68 includes diametrically opposite flats 70 which can be engaged by a wrench for rotating the member 62. The drive portion 68 preferably also 20 includes an opening 72 centrally located in each of the flats 70 for receiving a projection from a tool (not shown) with a tapered end adapted for rotating the member 62.

The transverse connector 60 also includes a pair 25 of clamp assemblies 74 for attaching the member 62 to the rod members 20. Each of the interchangeable clamp assemblies 74 includes an inner clamp member 76 and an outer clamp member 78. Referring now to FIGS. 4 and 4a, the inner clamp member 76 includes a connector 30 portion 80 with a threaded opening 82 extending therethrough for threaded engagement with one of the threaded end portions 64, 66 of member 62. A body portion 84 is formed integral with and extends from the connector portion 80 of the inner clamp member 76. 35 The body portion 84 is machined to define an arcuate, threaded surface 86. The threaded surface 86

corresponds to the threaded surface of the rod member 20 for locking the member to the rod.

In a preferred embodiment, the inner clamp member 5 76 for threaded engagement with the threaded end portion 64 has a righthand threaded opening 82, whereas the inner clamp member 76 for threaded engagement with the threaded end portion 66 has a lefthand threaded opening 82. When the member 62 is 10 rotated in one direction about its longitudinal central axis, the inner clamp members 76 are moved axially along the member toward one another. When the member 62 is rotated about its longitudinal axis in the opposite direction, the inner clamp members are 15 moved away from one another.

Each of the clamp assemblies 74 also includes an outer clamp member 78. Referring now to FIG. 4b, each outer clamp member 78 includes a connector portion 90 with a smooth bore 92 extending longitudinally 20 therethrough for receiving a portion of the member 62. A vertical bore 98 through the surface of connector portion 90 and in communication with the bore 92 permits the introduction of a fastening screw 100 for retention of the outer clamp member 78 relative to end 25 portion 64 or 66. The outer clamp member 78 may be used on either of the threaded end portions 64, 66. A body portion 94 is formed integral with and extends from the connector portion 90 of the outer clamp member 78. The body portion 94 is machined to form an 30 arcuate, threaded surface 96. The threaded surface 96 corresponds to the threaded surface of the rod member 62.

The threaded arcuate surfaces 86 and 96 of the clamps define an axial bore for receiving the threaded 35 rod members 20. To install transverse connector 60, the ends of rod member 62 are inserted within the

threaded openings 82 of two inner clamp members 76 and thereafter through the smooth bore 92 of two corresponding outer clamp members 78. Member 62 is
5 then rotated to achieve the desired spacing. Set screw 100 may be tightened within vertical bore 98 to provide added stability of the clamp member with respect to the member 62.

As best seen in FIGS. 3 and 5, the need for
10 bending the rod member 20 to achieve the varying corrective forces at each vertebra required for maintaining or recreating lordosis is obviated by the use of threaded spacers 102 (in combination with the bent posts described above). However, although no
15 longer required, curved rod members (not shown) are available for use with the system of the invention by those surgeons who prefer them. Spacers 102 are mounted between a bone screw shoulder 46 and the rod member 20. Spacers 102 have a vertical bore
20 corresponding to the external diameter of threaded portion 48 of the post member and are of varying length, i.e., thicknesses. Preferably, the spacer bore is threaded to impart rigidity and provides adequate clearance to facilitate quick insertion on
25 threaded portion 48 of a post member. However, the spacer bore may also be smooth if desired.

The upper and lower surfaces of the spacer 102 are preferably beveled in a fashion identical to the beveled surface of the post nut 50. After a spacer is
30 threaded on a post 42 and positioned between rod 20 and shoulder 46, the upper beveled surface of the spacer will be seated in a corresponding block nut member recess and the lower beveled surface of the spacer will be seated in the beveled shoulder recess.
35 It should be apparent that by selecting spacers of incrementally increasing thickness, a sagittal

curvature can be achieved without bending the rod members 20. As a result, a predetermined lordosis can be maintained or recreated as desired by selecting
5 spacers of appropriate size. It is also contemplated that combinations of spacers may be employed on the same post member to produce a desired spacing effect in a manner similar to using gage blocks, so that individual spacers of known thicknesses may be
10 combined to produce any desired thickness.

As best shown in FIGS. 1 and 3, an angled end block member 2 may be provided at the lower end of each rod member when the assembly is used for spinal stabilization to facilitate attachment of the fixation
15 device 10 to the sacrum S. End block member 2 comprises a first section 4 which is substantially horizontal and a second section 6 which is angled upwardly from the horizontal plane. An axial threaded bore 8 extends substantially through the center of the
20 section 4. The end block member is threaded onto the end of the rod member 20. Second section 6 is angled upwardly at angle θ relative to an axis B defined by the axial bore 8 and includes a bore 9 for receiving a bone screw 12 inserted at an angle approximately
25 perpendicular to the sacrum S. Preferably, the system will include several end block members 2 whose angle θ is equal to between 5 and 25 degrees. By selecting an end block member 2 having an appropriate angle θ , and by rotating member 60 so that rod member 20 extends
30 through the axial bore 8 by an appropriate longitudinal distance, the bore 9 will be precisely positioned to retain the sacrum (or "bone") screw 12 in whatever alignment the surgeon desires in three dimensions. This perpendicular alignment minimizes
35 the risk of screw displacement and obviates the necessity of bending rod member 20.

With particular reference to FIGS. 6-8, a second embodiment of the present invention is also described. As shown in FIG. 6, the fixation device of the subject
5 embodiment has a number of features similar to the arrangement shown in FIG. 1. However, in the embodiment of FIGS. 6-8, the axially threaded block nut member is omitted and the fasteners 40 are instead secured by axially slotted block nut members 130. As
10 best seen in FIGS. 7 and 8, each axially slotted block nut member 130 has a threaded vertical bore 132 and a smooth bored axial slot 134. The cross sectional dimensions of axial slot 134 corresponds to the peripheral contour of the rod member 120, as defined
15 by threaded portions 126 and 128 and planar surfaces 122 and 124.

As shown in FIG. 7, there is sufficient clearance between the interior wall of the block nut member 130 and the threaded surface of the rod member 120 to
20 permit sliding movement therealong. Vertical bore 132 remains aligned with slot 118 at all times. Slotted block nut member 130 may be provided with beveled recesses on its upper and lower surfaces in order to receive corresponding bevelled portions of post nut
25 150 and shoulder 146, respectively. Once the block nut members 130 are positioned in their desired locations, or moved along the threaded rod to create forces of compression and distraction, they are held in place by positioning a pair of threaded traction nuts 160 as
30 shown in FIG. 8. Corresponding faces of traction nuts 160 and the block nut member 130 may be correspondingly bevelled to produce a tight, interlocking engagement.

With particular reference to FIGS. 9 and 10, a
35 third embodiment of the present invention is also described. As shown in FIG. 9, the fixation device

has many features similar to those of the arrangement shown in FIG. 1. However, in this embodiment, the axially threaded block nut members are omitted and the fasteners 240 are instead secured by axially threaded offset block nut members 230.

Referring now to FIG. 10, each offset block nut member 230 has a threaded axial bore 232 and an offset vertical bore 234. The diameter and thread of axial bore 232 correspond to the diameter and threads of the rod member 220, as defined by threaded portions 226 and 228 and planar surfaces 222 and 224. It will be apparent that by rotating offset block nut member 230, it can be moved along the rod 220 and into any predetermined angular position with respect thereto. Further, rotating the offset blocks permits respective fasteners 240 to be maintained in any desired angular relationship with respect to corresponding pedicles and with respect to each other.

FIG. 11, a illustrates a bore adjustment member for use in making "repairs" to the system of the present invention. Alternatively, this member may, with modifications made as described below, be adapted for use in repairing other (i.e., prior art) fixation devices available for similar applications.

Because of the impact of flexure and torsion due to patient movements and the like, a post for affixing a rod member and one or more slotted or threaded block members to corresponding pedicles, or alternately, a screw for affixing the end block member to the sacrum, may either break or loosen within the bone and thus lose its effectiveness. In either event, it therefore becomes necessary to remove and replace the post or screw in question. In the situation where loosening of a post or screw has necessitated its removal, the prior art requires that the vacated bore be reamed to

accommodate a larger fastener. The present invention obviates the reaming of a new hole by the use of bore adjustment member 250, having an augur thread configuration 252 upon its outer surface. The "augur" thread configuration of member 250 permits it to enter the preexisting hole and create a new bore of suitable width as it does so, as in the manner of a "molly" in drywall construction. The upper surface 254, i.e., that closest to the surface of the bone, of member 250 is configured (once member 250 is screwed into the bone) to lie substantially flat upon the surface of the bone.

Member 250 is available in a variety of configurations, i.e., having a threaded axial bore 256 of a pitch and diameter corresponding either to that of a bone screw 12 or a post member 42 or 42a (not shown), depending upon the application desired. Once member 250 is fully augured into the existing hole in the bone, e.g., either the pedicular portion of a vertebrae, or a sacrum, the distal end of a bone screw 12 (or a post member) is threaded into interior bore 256 of member 250.

Thus, when used for example, to repair a loose or broken bone screw 12 for securing an end block member to the sacrum, the fixation device is disassembled, the old bone screw 12 is removed and member 250, adapted and configured for insertion therein of a replacement bone screw, is augured into the sacrum to provide a new support therefor. The fixation device is then reassembled and a new bone screw (or the original screw if it is still intact) is passed through the vertical bore in the end block member and screwed into bore 256 in member 250.

Alternately, when a post member 42 (or 42a) requires repair or replacement, after disassembling

the fixation device of the invention, the old post (42 or 42a) is removed and a bore adjustment member 250, configured and adapted for insertion of a post member, is augured into the corresponding pedicle or other bony surface until its upper surface lays flat on the bone. Then, a new (or the original) post member is screwed down into the bore 256 until the post is locked in place. The fixation device is then reassembled in the normal manner as described above.

Moreover, by configuring bore adjustment member 250 in different sizes and/or shapes as necessary to accept the posts and/or screws used for securing the bone segments in other prior art fixation systems available on the market, it is presently contemplated that the apparatus described herein can also have a substantially universal application to any number of prior art fixation devices, thus substantially reducing the surgical difficulties previously encountered in making repairs to such prior art systems.

Although the present invention has been described in connection with the field of stabilization and immobilization of the spine, this is for purposes of general illustration only and it should be readily appreciated by those of ordinary skill in the art that applicants' system may be employed to immobilize other bone segments of the body such as, for example, those of the arm or the leg in the case of, e.g., a compound fracture. Further, it is specifically contemplated that the various elements of each of the disclosed individual embodiments may be used together in a single system.

What is claimed is:

1. A device for stabilizing bone segments, said
5 device comprising:
at least one elongated rod member, said member
defining at least one slotted opening therethrough,
and having a threaded exterior portion; and
means for anchoring said at least one rod member
10 to a plurality of bone segments, each said anchoring
means comprising means for engaging one of said bone
segments and separate means, positioned on said rod
member and adapted for movement therealong, for
securing said elongated rod member relative to said
15 bone engaging means, said engaging means and said
securing means configured and adapted for an
interlocking fit therebetween.

2. A stabilization device according to claim 1
20 wherein said engaging means comprises a post member
having a proximal end and a distal end, said proximal
end configured and adapted for insertion through said
at least one opening in said rod member and into said
securing means to create said interlocking fit, and
25 said distal end being threaded for insertion into and
engagement with one of said bone segments.

3. A stabilization device according to claim 2,
wherein said post member further comprises a shoulder
30 portion located between said proximal and said distal
ends, said shoulder portion adapted for spacing said
rod member from said one or more bone segments and
configured for engagement with a lower surface of said
locking means.

35

4. A stabilization device according to claim 3
wherein said proximal end of said post member is bent
at said shoulder portion at an angle of between about
5 5 to about 15 degrees from the vertical.

5. A stabilization device according to claim 3
wherein said shoulder is provided upon an upper
portion thereof with a bevel adapted to facilitate a
10 substantially locking engagement between said securing
means and said engaging means.

6. A stabilization device according to claim 5
wherein each anchoring means further comprises at
15 least one spacer member positioned between said
shoulder portion and said locking means, said at least
one spacer configured for controlling the distance
between said shoulder portion and said lower surface
of said locking means.

20 7. A stabilization device according to claim 6
wherein said at least one spacer member is provided
with a bevel upon a first and second portion thereof
adjacent, respectively, said shoulder and the lower
25 surface of said locking means, to facilitate a
substantially interlocking fit thereamong.

8. A stabilization device according to claim 2
wherein said securing means comprises an adjustable
30 block nut member, each said block nut member having an
axial bore extending longitudinally therethrough from
a first side to a second side thereof, configured and
adapted for passage of at least a portion of said
elongated rod member therethrough to permit adjustable
35 positioning of said block nut member along said rod
member.

9. A stabilization device according to claim 8
wherein said axial bore is provided with threads
corresponding to those on said elongated rod member,
5 whereby said block nut member is rotatably movable
along said elongated rod member.

10. A stabilization device according to claim 8
wherein said axial bore comprises a substantially
10 smooth slot, whereby said block nut member is
slideably moveable along said elongated rod member.

11. A stabilization device according to claim 10,
wherein said securing means further comprises means
15 for retaining said block nut member in a predetermined
position relative to said rod member.

12. A stabilization device according to claim 11
wherein said retaining means comprise at least one
20 threaded traction nut positioned in abutting contact
with said block nut member to prevent further movement
of said block nut member in at least one predetermined
direction.

25 13. A stabilization device according to claim 12
wherein abutting surfaces of said at least one
traction nut and said block nut member are
correspondingly beveled to facilitate a substantially
locking fit therebetween.

30 14. A stabilization device according to claim 8
wherein said block nut member further defines a
substantially vertical bore configured for receiving
the proximal end of said post member.

35

15. A stabilization device according to claim 14 wherein said vertical bore intersects with said axial bore within said block nut member and wherein said
5 vertical bore is alignable with said at least one slotted opening in said rod member.
16. A stabilization device according to claim 14 wherein said vertical bore is offset from said axial
10 bore within said block nut member.
17. A stabilization device according to claim 14 wherein said proximal end of said post member is threaded and wherein said engaging means further
15 comprises means for locking said proximal end of said post member within said substantially vertical bore of said block nut member.
18. A stabilization device according to claim 17
20 wherein said locking means comprises a post nut adapted for threaded engagement with said proximal end of said post member.
19. A stabilization device according to claim 8
25 further comprising means for securing said elongated rod to a sacrum, said sacrum securing means comprising an end block member positioned upon a terminal portion of said elongated rod member adjacent said sacrum, said end block member defining a first axial bore
30 configured and adapted for receiving said terminal portion of said elongated rod and a second, substantially vertical bore, spaced apart from said first bore, and adapted for receiving a sacrum engaging screw for securing said end block member to
35 said sacrum.

20. A stabilization device according to claim 19,
wherein said first aperture defines a first axis and
said second aperture defines a second axis
5 intersecting with said first axis, and wherein said
first and second axes intersect at an angle of between
about 65 and 90 degrees.
21. A stabilization device according to claim 19
10 which further comprises a bore adjustment member
adapted for repairing means for engaging at least one
of said bone segments, said engaging means selected
from the group consisting of a post member and a bone
15 screw, said bore adjustment member having a proximal
end and a distal end, said distal end provided with an
augur thread configuration adapted to create, within
said bone segment, a new bore having a width greater
than that of said engaging means, said proximal end
20 having a threaded inner axial bore portion therein
with a pitch and a diameter corresponding to that of
the threaded portion of said engaging means, said
engaging means thereafter being screwed into the inner
axial bore of the bore adjustment member to provide a
locking engagement therebetween.
- 25 22. A device for stabilizing a plurality of spinal
bone segments, said device comprising:
at least one elongated rod member defining at
least one slotted opening therethrough and having a
30 threaded exterior portion;
at least one adjustable block nut member,
each said adjustable block nut member having an axial
bore extending therethrough from a first side to a
second side thereof, configured and adapted to permit
35 adjustable positioning of said block nut member along
said elongated rod member; and a substantially

vertical bore adapted for engagement with at least a portion of a means for securing said block nut member to a bone segment;

5 a post member for securing each said adjustable block nut member to a bone segment, each said post member having a proximal and a distal end, said distal end being threaded for insertion into and engagement with a spinal bone segment, said proximal
10 end configured and adapted for insertion through said at least one slotted opening in said elongated rod member and into said substantially vertical bore in a corresponding adjustable block nut member;

a locking member threadably engageable upon
15 a correspondingly threaded portion of the proximal end of each said post member for locking together each said adjustable block nut member with a corresponding post member; and

an end block member upon a terminal portion
20 of each said elongated rod adjacent a sacrum portion of said spinal column for securing said elongated rod member to said sacrum, said end block member defining a first axial bore configured and adapted for receiving said terminal portion of said elongated rod
25 and a second substantially vertical bore, spaced apart from said first bore, adapted for receiving a sacrum engaging screw for securing said end block member to said sacrum.

30 23. A stabilization device according to claim 22 which further comprises a bore adjustment member adapted for repairing means for engaging at least one of said bone segments, said engaging means selected from the group consisting of a post member and a bone
35 screw, said bore adjustment member having a proximal end and a distal end, said distal end provided with an

augur thread configuration adapted to create, within said bone segment, a new bore having a width greater than said engaging means, said proximal end having a threaded inner axial bore portion therein with a pitch and a diameter corresponding to that of the threaded portion of said engaging means, said engaging means thereafter being screwed into the inner axial bore of the bore adjustment member to provide a locking engagement therebetween.

24. A stabilization device according to claim 22 which comprises first and second elongated rod members and at least one means for transversely interconnecting said members and thereby maintaining said rod members in a predetermined spatial relation to each other.

25. A device for stabilizing a plurality of spinal bone segments, said device comprising:

at least one elongated rod member defining at least one slotted opening therethrough and having a threaded exterior portion;

at least one adjustable block nut member, each said adjustable block nut member having an axial bore extending therethrough from a first side to a second side thereof, configured and adapted to permit adjustable positioning of said block nut member along said elongated rod member; and a substantially vertical bore adapted for engagement with at least a portion of a means for securing said block nut member to a bone segment;

a post member for securing each said adjustable block nut member to a bone segment, each said post member having a proximal and a distal end, said distal end being threaded for insertion into and

engagement with a bone segment, said proximal end configured and adapted for insertion through said at least one slotted opening in said elongated rod member
5 and into said substantially vertical bore in a corresponding adjustable block nut member;

a locking member threadably engageable upon a correspondingly threaded portion of the proximal end of each said post member for locking together each
10 said adjustable block nut member with a corresponding post member;

an end block member upon a terminal portion of each said elongated rod adjacent a sacrum portion of said spinal column for securing said elongated rod
15 member to said sacrum, said end block member defining a first axial bore configured and adapted for receiving said terminal portion of said elongated rod and a second substantially vertical bore, spaced apart from said first bore, adapted for receiving a sacrum
20 engaging screw for securing said end block to said sacrum; and

a bore adjustment member interposed between said sacrum engaging screw and said sacrum, said bore adjustment member having a proximal end and a distal
25 end, said distal end provided with an augur thread configuration adapted to permit creation of a new bore in said sacrum having a width greater than that of said sacrum engaging screw, and said proximal end having a threaded inner axial bore portion therein
30 with a pitch and a diameter corresponding to that of a threaded portion of said sacrum engaging screw, said sacrum engaging screw thus being thereafter screwed into said axial bore of said bore adjustment member to provide a locking engagement therebetween.

35

26. A device for stabilizing bone segments, said device comprising:

- (a) first and second fixation assemblies, each
5 said fixation assembly comprising
at least one elongated rod member defining at least one slotted opening therethrough and having a threaded exterior portion;
at least one adjustable block nut member,
10 each said adjustable block nut member having an axial bore extending therethrough from a first side to a second side thereof, configured and adapted to permit adjustable positioning of said block nut member along said elongated rod member; and a substantially
15 vertical bore adapted for engagement with at least a portion of a means for securing said block nut member to a bone segment;
a post member for use in securing each said adjustable block nut member to a bone segment, each
20 said post member having a proximal end and a distal end, said distal end being threaded for insertion into and engagement with a spinal bone segment, said proximal end configured and adapted for insertion through said at least one slotted opening in said
25 elongated rod member and into said substantially vertical bore in a corresponding adjustable block nut member;
a locking member threadably engageable upon a correspondingly threaded portion of the proximal end
30 of each said post member for locking together each said block nut member with a corresponding post member; and
- (b) at least one means for transversely interconnecting said first and second fixation
35 assemblies and thereby maintaining said assemblies in substantially parallel relation to each other.

27. A stabilization device according to claim 26 further comprising means for securing said elongated rod to a sacrum, said sacrum securing means comprising
5 an end block member positioned upon a terminal portion of said elongated rod member adjacent said sacrum, said end block member defining a first axial bore configured and adapted for receiving said terminal portion of said elongated rod and a second,
10 substantially vertical bore, spaced apart from said first bore, and adapted for receiving a sacrum engaging screw for securing said end block to said sacrum.
- 15 28. A stabilization device according to claim 27, wherein each said transverse connection means comprises:
an elongate member extendable between said first and said second elongated rod members;
20 first attachment means for connecting a first terminal portion of said elongate member with said first elongated rod member; and
second attachment means for connecting a second terminal portion of said elongate member with said
25 second elongated rod member.
29. A stabilization device according to claim 28 wherein said elongate member comprising a first axial end portion having a left hand thread and a second
30 axial end portion having a right hand thread.
30. A stabilization device according to claim 29 wherein said elongate member further comprises a drive portion located intermediate to said first and said
35 second axial end portions.

31. A stabilization device according to claim 30
wherein said drive portion comprises a plurality of
diametrically opposed flats configured for engagement
5 by wrench means for causing rotation thereof.

32. A stabilization device according to claim 31
wherein at least one of said flats defines an
aperture, each said aperture being configured and
10 adapted for engagement with tool means adapted for
insertion within said aperture to permit rotation of
said drive member.

33. A stabilization device according to claim 30
15 wherein said first and said second attachment means
each comprise:

an inner clamp member comprising a connector
portion having a threaded bore extending axially
therethrough for threaded engagement with a first one
20 of the threaded end portions, and a body portion
formed integral with said connector portion, said body
portion having, on an inner aspect thereof, a threaded
surface corresponding to the threads on said elongated
rod member for securing said inner clamp member
25 thereto; and

an outer clamp member comprising a connector
portion having a substantially smooth bore extending
therethrough in alignment with said axial threaded
bore in said inner clamp member for engagement with
30 said first end portion of said elongate member, and a
body portion formed integral with said connector
portion of said outer clamp member, said body portion
having, on an inner aspect thereof a threaded surface
corresponding to the threads on said elongated rod
35 member for securing said outer clamp member thereto,

wherein each said axial end portion is connected, respectively, to both an inner and an outer clamp member through respectively, said threaded and said
5 substantially smooth axial bores thereof such that rotation of said drive portion in a first direction causes said inner and outer clamp members to move toward one another whereas rotation in a second, opposite direction causes them to move apart.

10

34. A stabilization device according to claim 33 wherein said outer clamp member further includes a set screw for retention of said threaded end portion of
15 said elongate member within said substantially smooth bore.

35. A bore adjustment member configured and adapted for repair of means for securing a bone segment
20 stabilization device to at least one skeletal bone segment, said securing means selected from the group consisting of a post member and a bone screw, said bore adjustment member having a first end and a second end, said first end provided with an augur thread configuration adapted to permit creation of a bore in
25 said bone segment, said bore having a width greater than that of said securing means, and said second end having a threaded inner axial bore portion therein with a pitch and a diameter corresponding to that of a threaded portion of said securing means to permit
30 rotatable insertion of said securing means within said member, thus forming an interlocking fit between said adjustment member and said securing means.

36. A method for stabilizing skeletal bone segments,
35 said method comprising:

installing, upon one or more bone segments,
a stabilization device comprising

5 at least one elongated rod member, said member
defining at least one slotted opening therethrough and
having a threaded exterior portion; and

means for anchoring said at least one rod member
to said bone segments, each said anchoring means
comprising means for engaging one of said bone
10 segments and separate means, positioned on said rod
member and adapted for movement therealong, for
securing said elongated rod member relative to said
bone engaging means, said engaging means and said
securing means configured and adapted for an
15 interlocking fit therebetween; and

adjusting said stabilization device to provide
graded angular movement to said one or more bone
segments.

20 37. A method for supplying selective angular
corrective forces to a plurality of spinal bone
segments, said method comprising:

providing a surgical incision on a dorsal
surface of a patient adjacent said patient's spinal
25 column;

installing, upon said spinal column, a
stabilization device comprising

(a) first and second fixation assemblies, each
said fixation assembly comprising

30 at least one elongated rod member defining at
least one slotted opening therethrough and having a
threaded exterior portion;

at least one adjustable block nut member,
each said adjustable block member having an axial bore
35 extending therethrough from a first side to a second
side thereof, configured and adapted to permit

adjustable positioning of said block nut member along
said elongated rod member; and a substantially
vertical bore adapted for engagement with at least a
5 portion of means for securing said block nut member to
a bone segment;

a post member for use in securing each said
adjustable block nut member to a bone segment, each
said post member having a proximal and a distal end,
10 said distal end being threaded for insertion into and
engagement with a spinal bone segment, said proximal
end configured and adapted for insertion through said
at least one slotted opening in said elongated rod
member and into said substantially vertical bore in a
15 corresponding adjustable block nut member;

a locking member threadably engageable upon
a correspondingly threaded portion of the proximal end
of each said post member for locking together each
said block nut member with a corresponding post
20 member, and

an end block member located upon a lower
terminal portion of each said elongated rod adjacent a
sacrum portion of said spinal column for securing said
elongated rod member to said sacrum, said end block
25 member defining a first axial bore configured and
adapted for receiving said terminal portion of said
elongated rod and a second substantially vertical
bore, spaced apart from said first bore, adapted for
receiving a sacrum engaging screw for securing said
30 end block to said sacrum; and

(b) at least one means for interconnecting said
first and second fixation assemblies and thereby
maintaining said assemblies in substantially parallel
relation to each other; and

35

adjusting said stabilization device to provide graded angular movement to said spinal bone segments.

5

38. A method for repairing means for securing the stabilization device of claim 36 to at least one of said spinal bone segments, said method comprising:

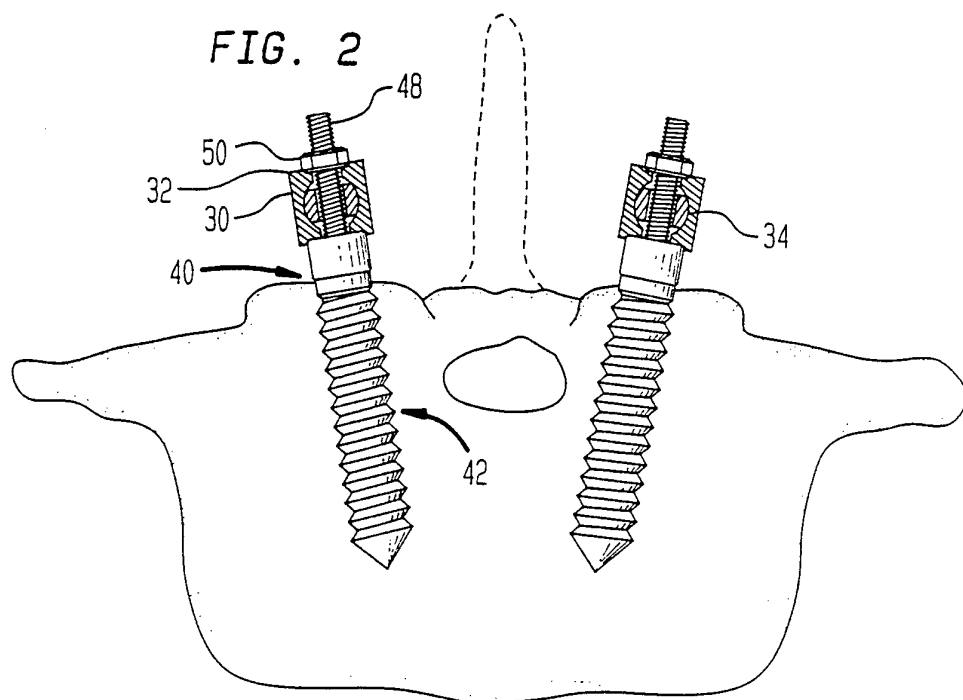
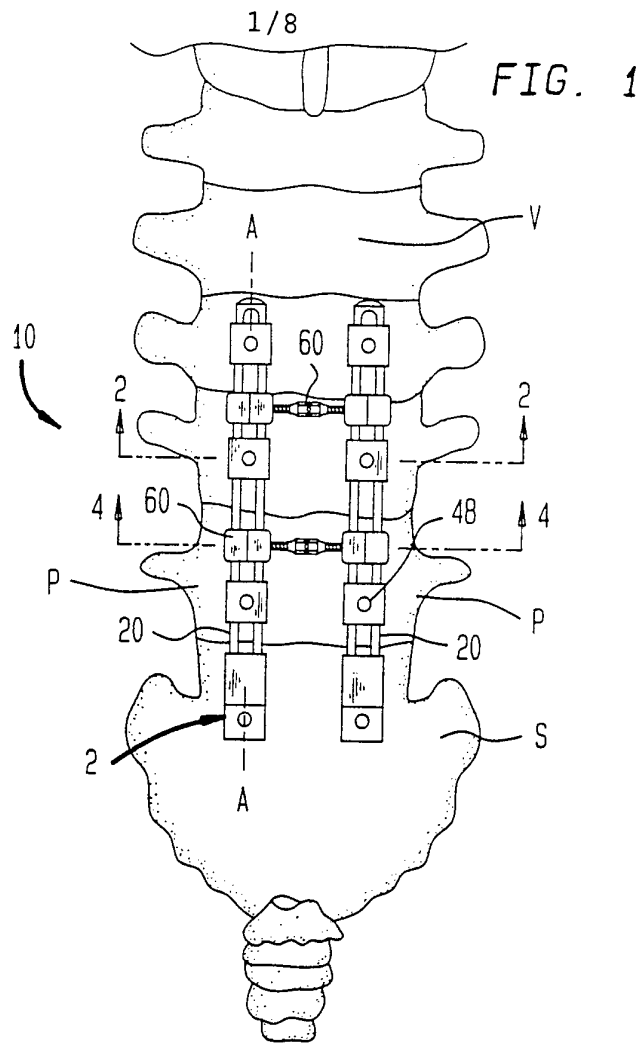
installing a bore adjustment member between
10 means for securing said stabilization device to at least one of said bone segments, said securing means selected from the group consisting of a post member and a bone screw, said bore adjustment member having a proximal end and a distal end, said distal end being
15 provided with an augur thread configuration adapted to permit creation of a bore in said bone segment having a width greater than that of said securing means, and said proximal end having a threaded inner axial bore portion therein with a pitch and a diameter
20 corresponding to that of a threaded portion of said securing means, and

screwing said securing means into said inner axial bore of said bore adjustment member to provide a locking engagement therebetween.

25

30

35



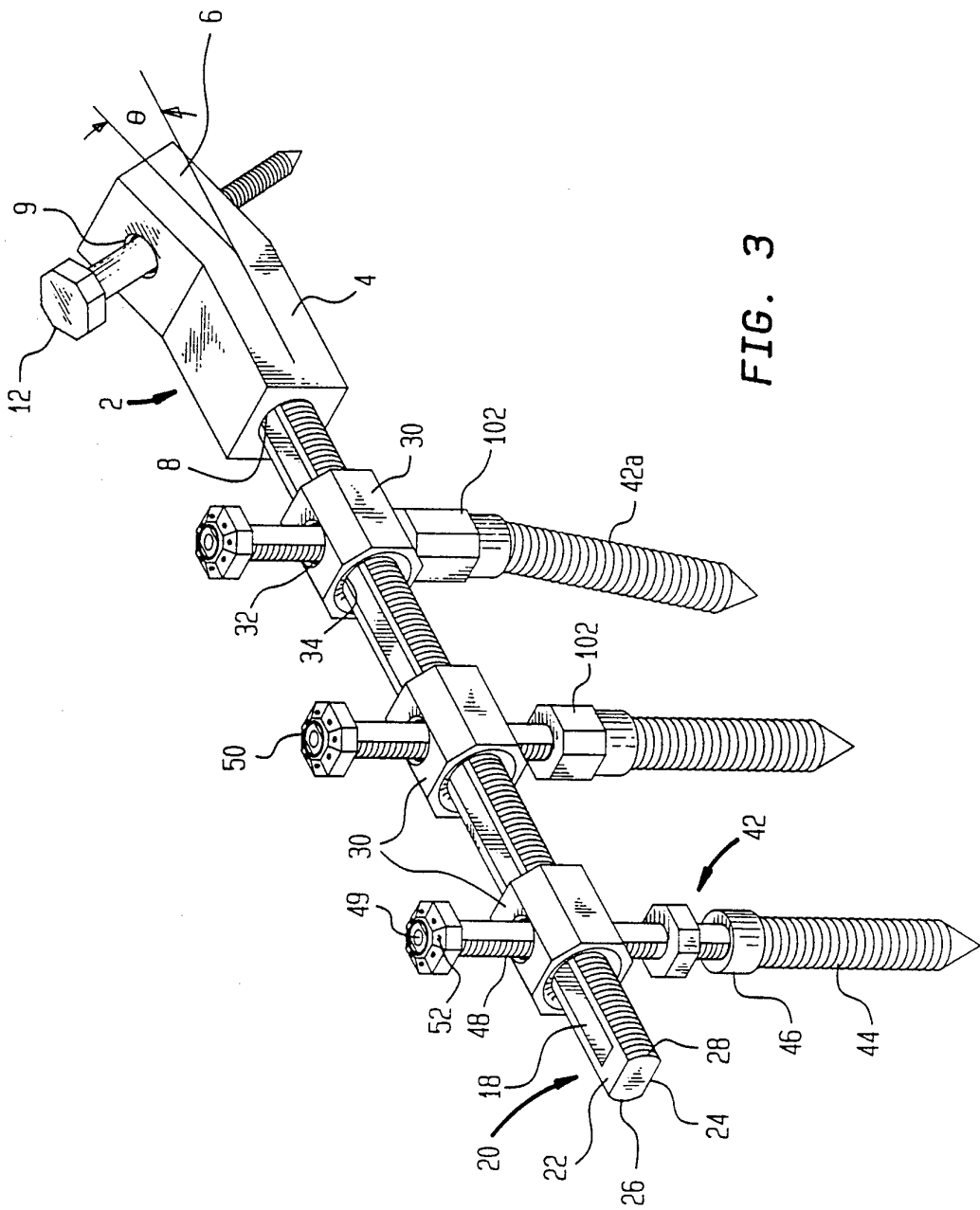


FIG. 3

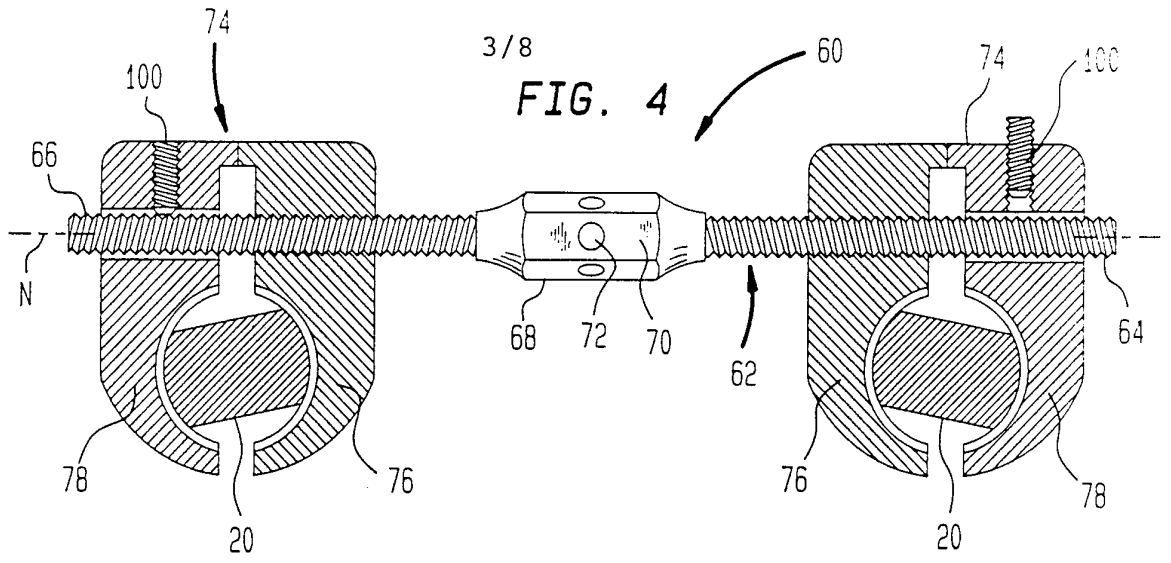


FIG. 4A

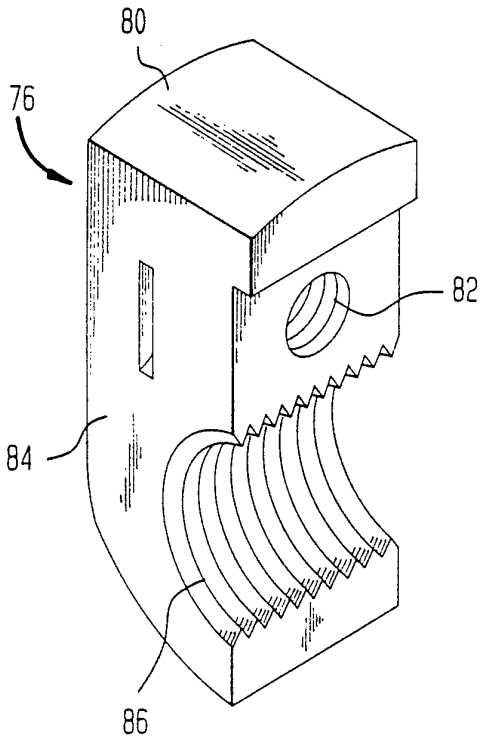
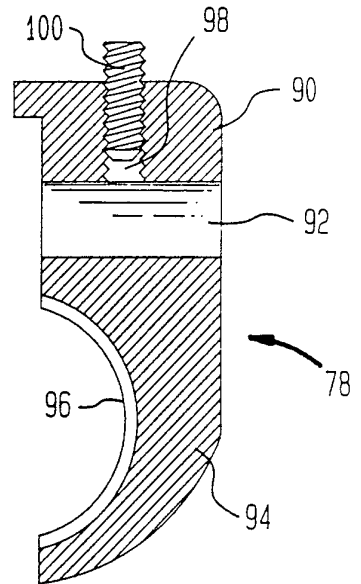
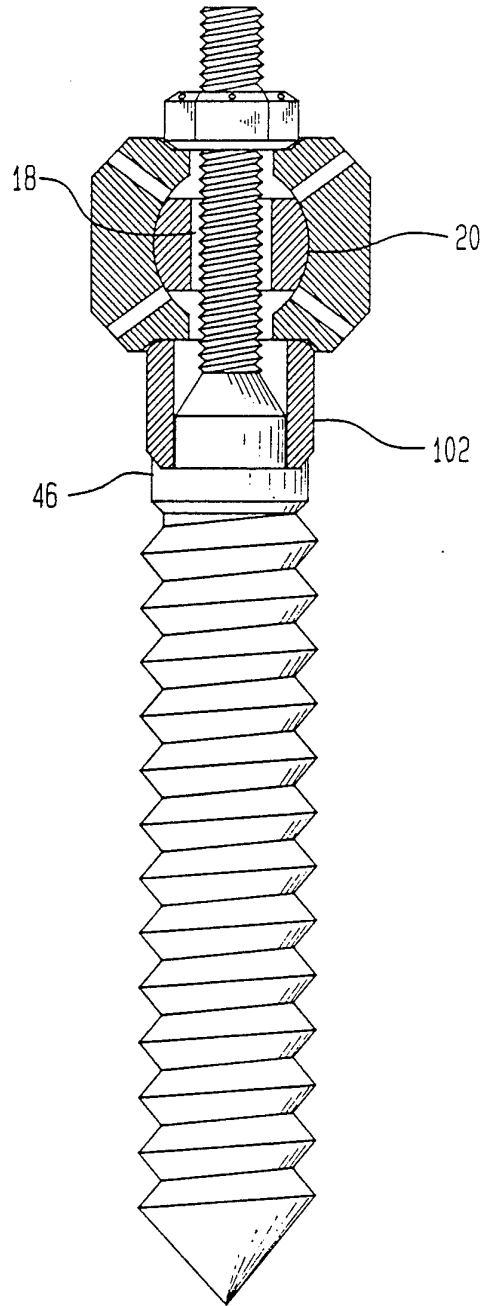


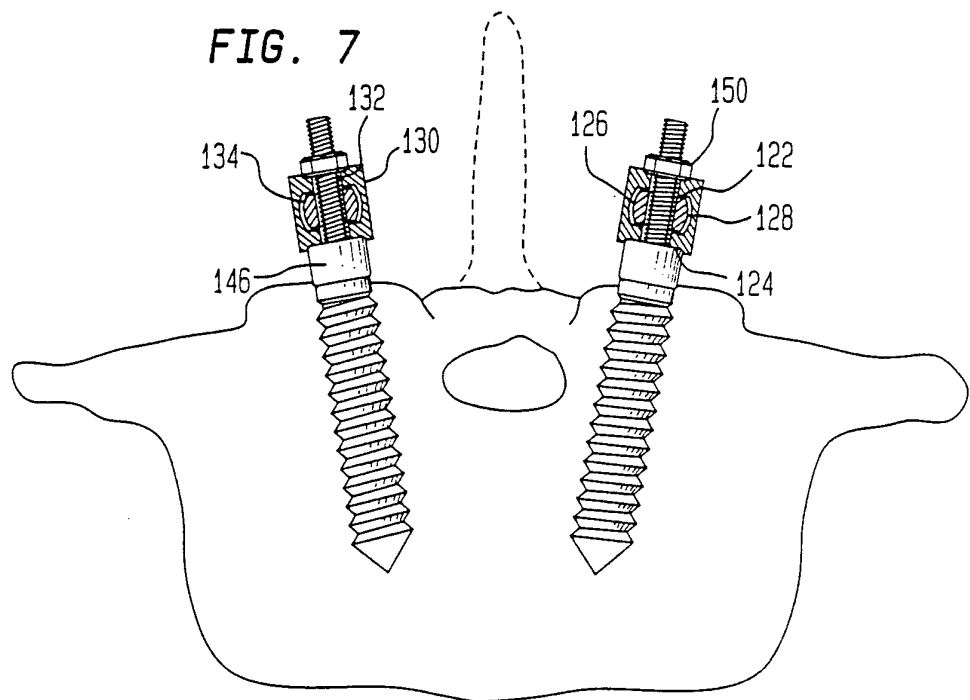
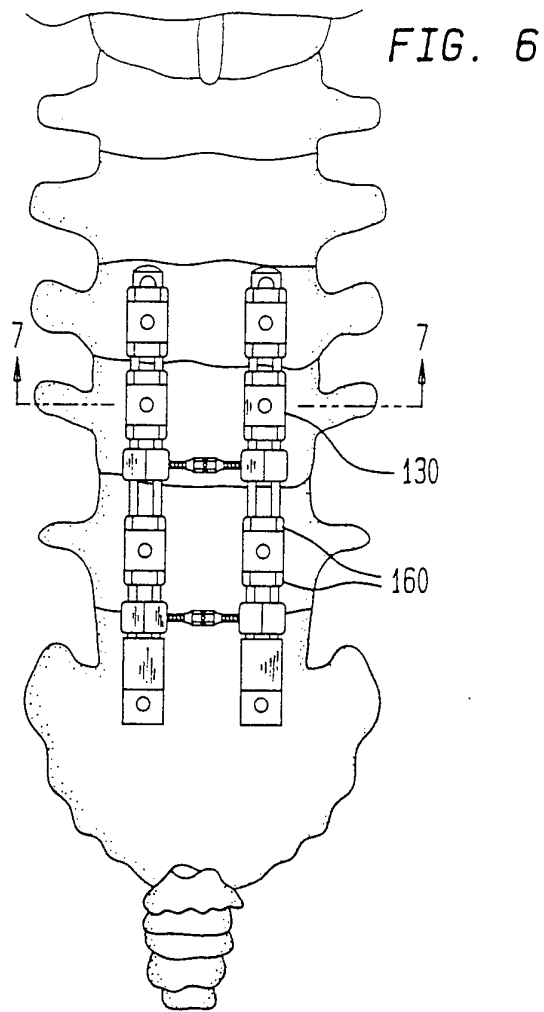
FIG. 4B



4/8

FIG. 5





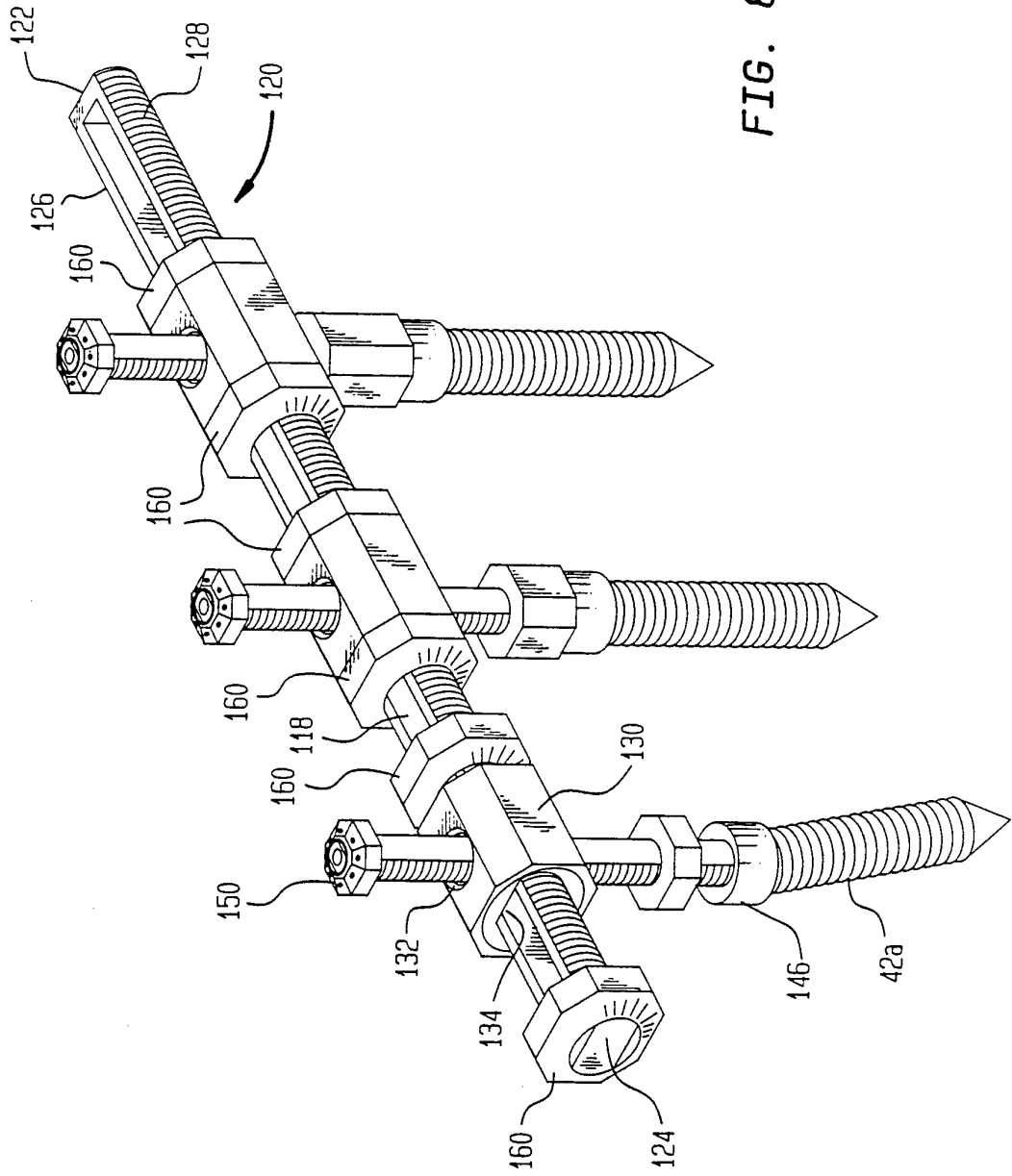


FIG. 8

FIG. 9

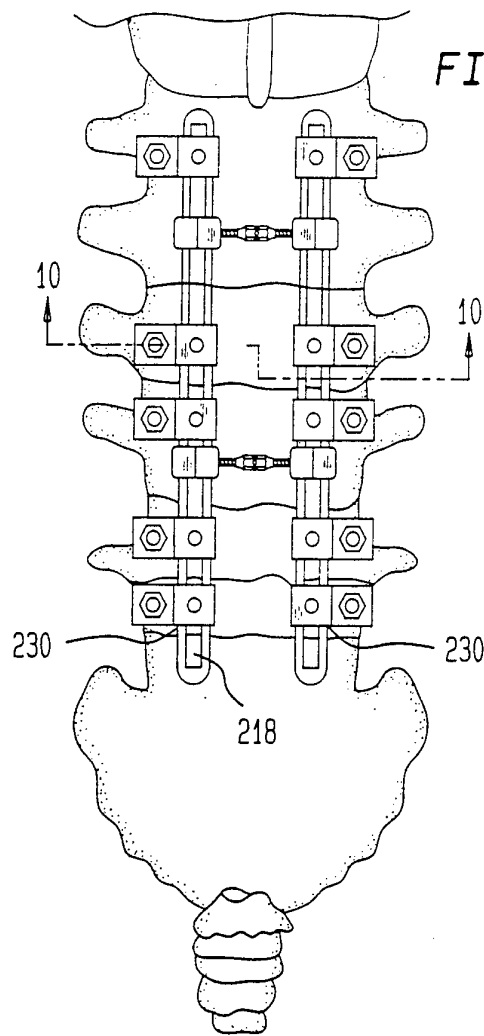


FIG. 10

