

(19) World Intellectual Property Organization
International Bureau



(43) International Publication Date
1 May 2003 (01.05.2003)

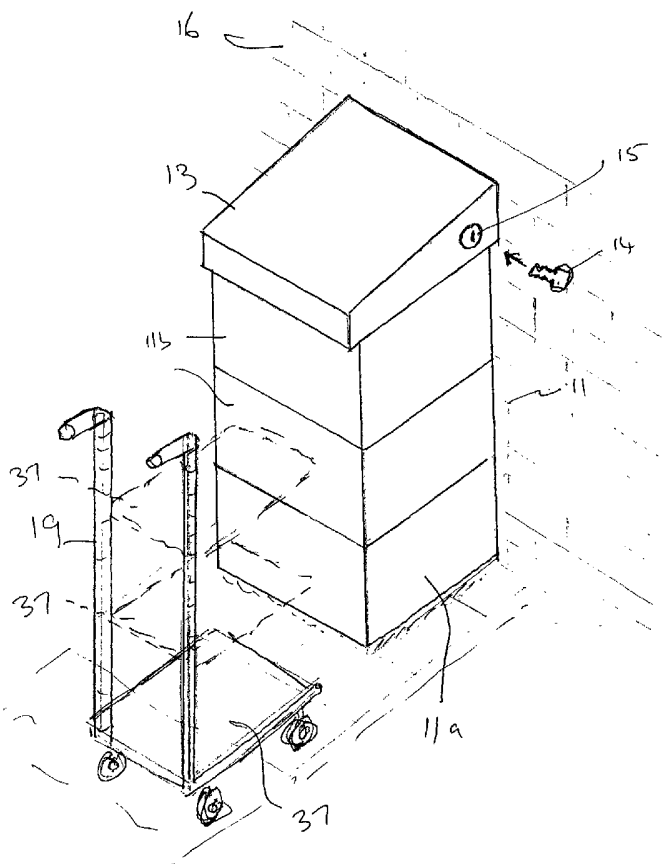
PCT

(10) International Publication Number
WO 03/036573 A3

- (51) International Patent Classification⁷: **A47G 29/14**, G07F 17/12
- (21) International Application Number: PCT/GB02/04833
- (22) International Filing Date: 25 October 2002 (25.10.2002)
- (25) Filing Language: English
- (26) Publication Language: English
- (30) Priority Data:
0125632.0 25 October 2001 (25.10.2001) GB
- (71) Applicant (for all designated States except US): **THE UNIVERSITY OF SALFORD** [GB/GB]; The Crescent, Salford, Lancashire M5 4WT (GB).
- (72) Inventors; and
- (75) Inventors/Applicants (for US only): **FORD, Roger, Roydon** [GB/GB]; 66 New Street, Altrincham, Cheshire WA14 2QP (GB). **VISHNYAKOV, Vladimir, Mikhailovich** [GB/GB]; 8 Tunwell Avenue, Sheffield, South Yorkshire S5 9FD (GB). **DONNELLY, Stephen, Eastwood** [GB/GB]; 1 Blackrod Drive, Bury, Lancashire BL8 2HN (GB).
- (74) Agents: **COLLINGWOOD, Anthony, Robert** et al.; Lloyd Wise, McNeight & Lawrence, Regent House, Heaton Lane, Stockport, Cheshire SK4 1BS (GB).
- (81) Designated States (national): AE, AG, AL, AM, AT, AU, AZ, BA, BB, BG, BR, BY, BZ, CA, CH, CN, CO, CR, CU, CZ, DE, DK, DM, DZ, EC, EE, ES, FI, GB, GD, GE, GH, GM, HR, HU, ID, IL, IN, IS, JP, KE, KG, KP, KR, KZ, LC, LK, LR, LS, LT, LU, LV, MA, MD, MG, MK, MN, MW, MX, MZ, NO, NZ, OM, PH, PL, PT, RO, RU, SD, SE, SG, SI, SK, SL, TJ, TM, TN, TR, TT, TZ, UA, UG, US, UZ, VC, VN, YU, ZA, ZM, ZW.

[Continued on next page]

(54) Title: GROCERY TRADING METHOD



(57) Abstract: A grocery trading method includes loading goods to order into a container (11) at a store (12). The loaded container (11) is delivered to customer premises (16) equipped with a receiver (13) for the container (11). The receiver (13) secures the container (11) against opening and/or removal except by a customer key (14).



WO 03/036573 A3



(84) Designated States (regional): ARIPO patent (GH, GM, KE, LS, MW, MZ, SD, SL, SZ, TZ, UG, ZM, ZW), Eurasian patent (AM, AZ, BY, KG, KZ, MD, RU, TJ, TM), European patent (AT, BE, BG, CH, CY, CZ, DE, DK, EE, ES, FI, FR, GB, GR, IE, IT, LU, MC, NL, PT, SE, SK, TR), OAPI patent (BF, BJ, CF, CG, CI, CM, GA, GN, GQ, GW, ML, MR, NE, SN, TD, TG).

— *before the expiration of the time limit for amending the claims and to be republished in the event of receipt of amendments*

(88) Date of publication of the international search report:
3 July 2003

Published:

— *with international search report*

For two-letter codes and other abbreviations, refer to the "Guidance Notes on Codes and Abbreviations" appearing at the beginning of each regular issue of the PCT Gazette.

INTERNATIONAL SEARCH REPORT

International Application No
PCT/GB 02/04833

A. CLASSIFICATION OF SUBJECT MATTER
IPC 7 A47G29/14 G07F17/12

According to International Patent Classification (IPC) or to both national classification and IPC

B. FIELDS SEARCHED
Minimum documentation searched (classification system followed by classification symbols)
IPC 7 A47G G07F

Documentation searched other than minimum documentation to the extent that such documents are included in the fields searched

Electronic data base consulted during the international search (name of data base and, where practical, search terms used)
EPO-Internal

C. DOCUMENTS CONSIDERED TO BE RELEVANT

Category °	Citation of document, with indication, where appropriate, of the relevant passages	Relevant to claim No.
X	GB 2 351 972 A (GREENWOOD RICHARD THOMAS PARKE) 17 January 2001 (2001-01-17) page 1 -page 5 ---	1-3, 10-13, 21-23
X	DE 197 16 138 A (ACCUMULATA VERWALTUNGS GMBH) 22 October 1998 (1998-10-22) column 1, line 40 -column 4, line 18 figure 2 ---	1,2,7, 11,12, 20-22
X A	DE 199 52 984 A (WINCOR NIXDORF GMBH & CO KG) 23 May 2001 (2001-05-23) column 1, line 39 -column 3, line 60 figure 2 --- -/--	21-23 1,2,7,8, 11,12

Further documents are listed in the continuation of box C.

Patent family members are listed in annex.

° Special categories of cited documents :

- *A* document defining the general state of the art which is not considered to be of particular relevance
- *E* earlier document but published on or after the international filing date
- *L* document which may throw doubts on priority claim(s) or which is cited to establish the publication date of another citation or other special reason (as specified)
- *O* document referring to an oral disclosure, use, exhibition or other means
- *P* document published prior to the international filing date but later than the priority date claimed

- *T* later document published after the international filing date or priority date and not in conflict with the application but cited to understand the principle or theory underlying the invention
- *X* document of particular relevance; the claimed invention cannot be considered novel or cannot be considered to involve an inventive step when the document is taken alone
- *Y* document of particular relevance; the claimed invention cannot be considered to involve an inventive step when the document is combined with one or more other such documents, such combination being obvious to a person skilled in the art.
- *&* document member of the same patent family

Date of the actual completion of the international search

29 April 2003

Date of mailing of the international search report

09/05/2003

Name and mailing address of the ISA

European Patent Office, P.B. 5818 Patentlaan 2
NL - 2280 HV Rijswijk
Tel. (+31-70) 340-2040, Tx. 31 651 epo nl,
Fax: (+31-70) 340-3016

Authorized officer

Bocage, S

INTERNATIONAL SEARCH REPORT

International Application No
PCT/GB 02/04833

C.(Continuation) DOCUMENTS CONSIDERED TO BE RELEVANT

Category °	Citation of document, with indication, where appropriate, of the relevant passages	Relevant to claim No.
X	US 3 236 443 A (PHILIP ORLANDO)	21,22
A	22 February 1966 (1966-02-22) column 3, line 18 -column 4, line 4 figures 1-3	1,7

X	WO 01 31487 A (BRIVO SYSTEMS INC)	21,22
A	3 May 2001 (2001-05-03) page 7, line 30 -page 11, line 4 figures 6-9	1,2,7-19

A	US 5 595 263 A (PIGNATARO ANTHONY)	
	21 January 1997 (1997-01-21)	

A	DE 201 01 654 U (HERKERT PETRA)	
	17 May 2001 (2001-05-17)	

INTERNATIONAL SEARCH REPORT

Information on patent family members

International Application No

PCT/GB 02/04833

Patent document cited in search report	Publication date	Publication date	Patent family member(s)	Publication date
GB 2351972	A	17-01-2001	NONE	
DE 19716138	A	22-10-1998	DE 19716138 A1	22-10-1998
DE 19952984	A	23-05-2001	DE 19952984 A1 AU 7780900 A WO 0133517 A1 EP 1226557 A1	23-05-2001 14-05-2001 10-05-2001 31-07-2002
US 3236443	A	22-02-1966	NONE	
WO 0131487	A	03-05-2001	AU 1237901 A AU 1354101 A WO 0131487 A2 WO 0131545 A2 AU 2425701 A WO 0137712 A2 US 2002087375 A1 AU 1237801 A WO 0130129 A2	08-05-2001 08-05-2001 03-05-2001 03-05-2001 04-06-2001 31-05-2001 04-07-2002 08-05-2001 03-05-2001
US 5595263	A	21-01-1997	AU 701093 B2 AU 1221995 A	21-01-1999 24-08-1995
DE 20101654	U	17-05-2001	DE 20101654 U1 EP 1226776 A2	17-05-2001 31-07-2002