



US0D1049665S

(12) **United States Design Patent**
Deng

(10) **Patent No.:** **US D1,049,665 S**

(45) **Date of Patent:** **** Nov. 5, 2024**

(54) **MODULAR SOFA**

FOREIGN PATENT DOCUMENTS

(71) Applicant: **Shenzhen Unlimit Technology Co., Ltd.**, Shenzhen (CN)

CA 208881 * 10/2022
IN 349680-001 * 1/2023

(72) Inventor: **Bangyu Deng**, Shenzhen (CN)

OTHER PUBLICATIONS

(**) Term: **15 Years**

Linor Toddler Couch, 12Pcs Kids Couch with 2 Pillows. Published on Walmart.com. Site visited Feb. 21, 2024. Available from Internet. <<https://www.walmart.com/ip/Linor-Toddler-Couch-12Pcs-Kids-Couch-2-Pillows-Tunnel-Elements-Sofa-Fold-Out-Playroom-Bedroom-Creative-Baby-Play-Blue/5267817832>> (Year: 2024).*

(21) Appl. No.: **29/921,454**

(Continued)

(22) Filed: **Dec. 18, 2023**

(51) **LOC (14) Cl.** **06-01**

(52) **U.S. Cl.**
USPC **D6/335**

(58) **Field of Classification Search**

USPC D6/335-336, 355, 370-371, 377, 381
CPC A47C 13/005; A47C 13/00; A47C 11/00;
A47C 7/405; A47C 3/16; A47C 7/624;
A47C 4/52; A47C 1/146; A47C 7/024;
A47C 15/004; A47C 17/045; A47C
17/86; A47C 12/02; A47C 17/04; A47C
7/54; A47C 7/622; A47C 7/70; A47C
17/22

See application file for complete search history.

Primary Examiner — Jae Liang
Assistant Examiner — Christopher Torma
(74) *Attorney, Agent, or Firm* — Daniel M. Cohn;
Howard M. Cohn

(57) **CLAIM**

The ornamental design for a modular sofa as shown and described.

DESCRIPTION

FIG. 1 is a perspective view of a modular sofa showing my new design;
FIG. 2 is another perspective view thereof;
FIG. 3 is a front elevational view thereof;
FIG. 4 is a rear elevational view thereof;
FIG. 5 is a left side elevational view thereof;
FIG. 6 is a right side elevational view thereof;
FIG. 7 is a top plan view thereof;
FIG. 8 is a bottom plan view thereof;
FIG. 9 is a perspective view of the modular sofa, shown in an open configuration;
FIG. 10 is another perspective view of the modular sofa, shown in an open configuration;
FIG. 11 is a perspective view of the modular sofa where the modular sofa is in a combined state; and,
FIG. 12 is a perspective view of the modular sofa where the modular sofa is in another combined state.

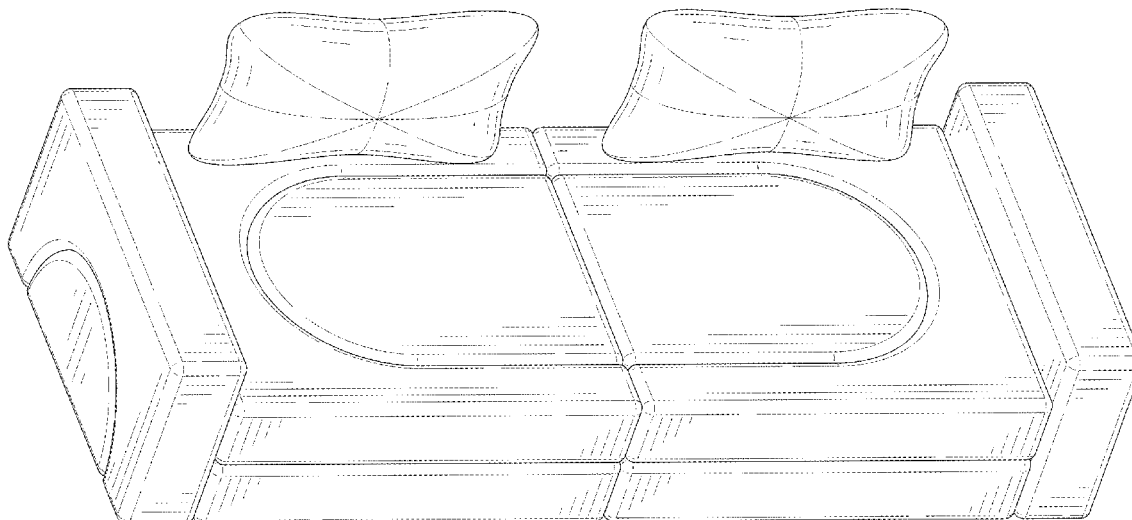
(56) **References Cited**

U.S. PATENT DOCUMENTS

D192,679	S	*	5/1962	Kamp	D6/336
D269,057	S	*	5/1983	Schatz	D6/335
D272,968	S	*	3/1984	Fairaizen	D6/381
D327,174	S	*	6/1992	Hopfer	D6/334
D540,062	S	*	4/2007	Natuzzi	D6/381
D541,545	S	*	5/2007	Gomez	D6/381
D545,070	S	*	6/2007	Hutton	D6/334
D566,980	S	*	4/2008	Mourgue	D6/381
D587,918	S	*	3/2009	Bergman	D6/381
D639,083	S	*	6/2011	Martin	D6/381
D715,574	S	*	10/2014	Wanders	D6/381
D742,134	S	*	11/2015	Miller	D6/381
D849,441	S	*	5/2019	King	D6/381

(Continued)

1 Claim, 12 Drawing Sheets



(56)

References Cited

U.S. PATENT DOCUMENTS

D874,837 S * 2/2020 Andersen D6/335
D968,831 S * 11/2022 Andersen D6/335
D977,864 S 2/2023 Doshi et al.
D982,920 S 4/2023 Pathiratne

OTHER PUBLICATIONS

Barabike Kindermöbel Children's Sofa. Published on Amazon.de, published Nov. 11, 2015. Site visited Feb. 21, 2024. Available from Internet. <<https://www.amazon.de/-/en/barabike-Kinderm%C3%B6bel-Childrens-Mattress-Cushions/dp/B017W1Q5C6>> (Year: 2015).*

Jela Kids Couch Extended Size. Published on Amazon.com, published Oct. 9, 2022. Site visited Feb. 21, 2024. Available from Internet. <<https://www.amazon.com/jela-Modular-Furniture-Playhouse-Toddlers/dp/B0BHQC64LC?th=1>> (Year: 2022).*

* cited by examiner

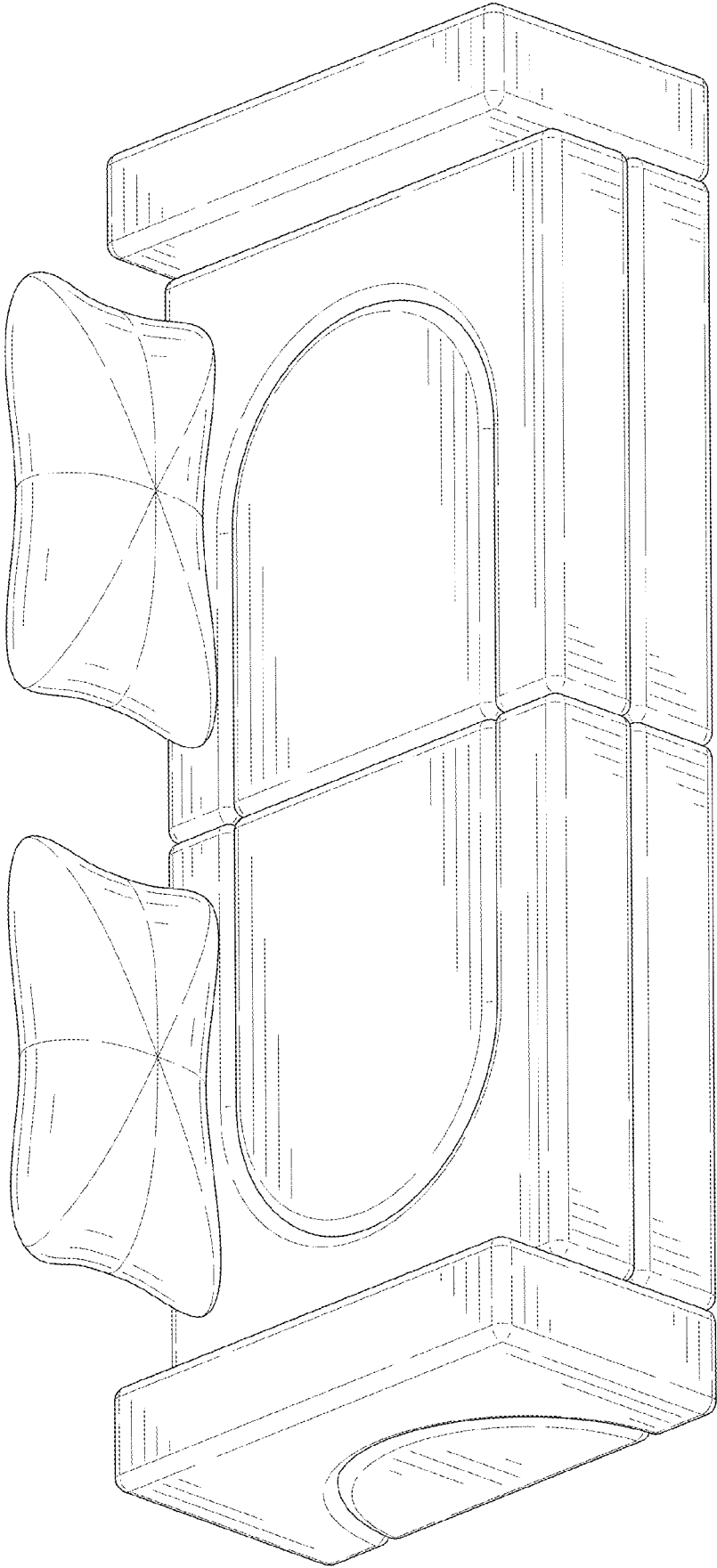


FIG. 1

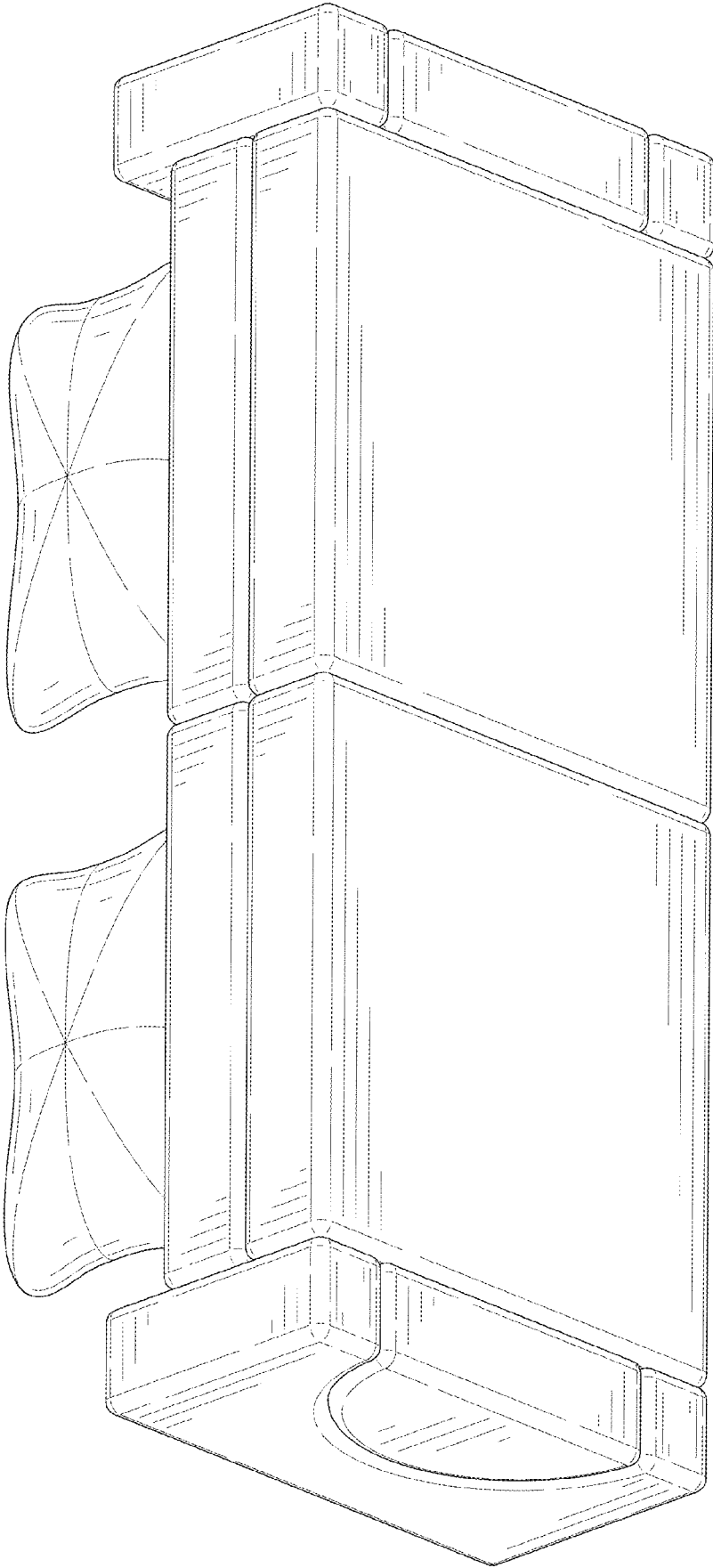


FIG. 2

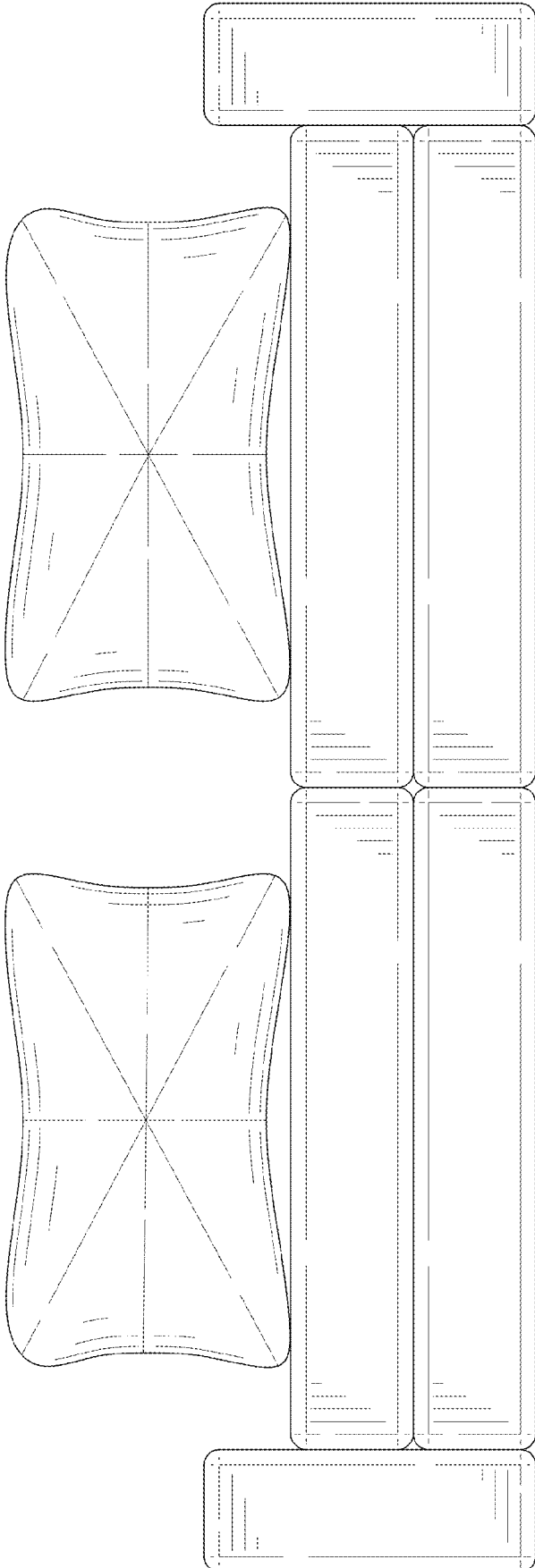


FIG. 3

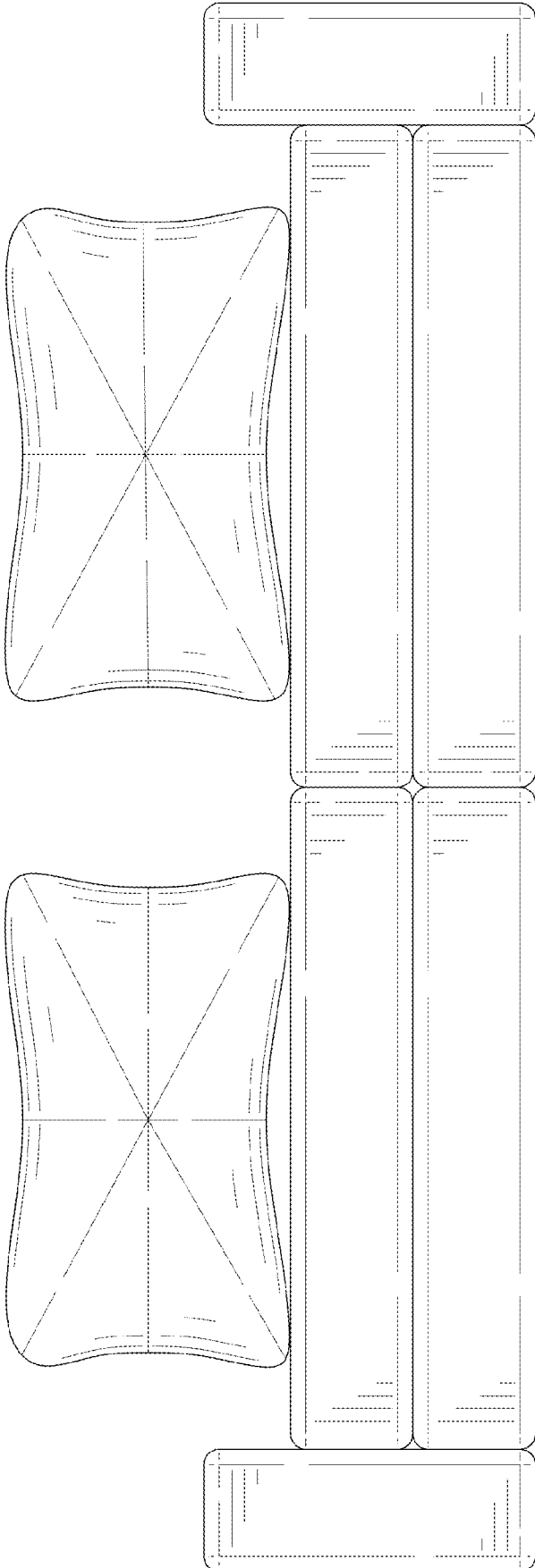


FIG. 4

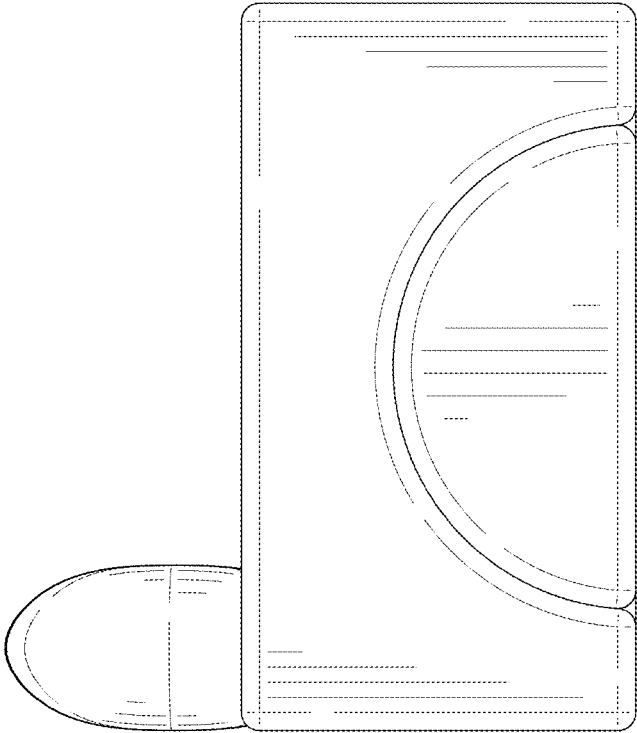


FIG. 5

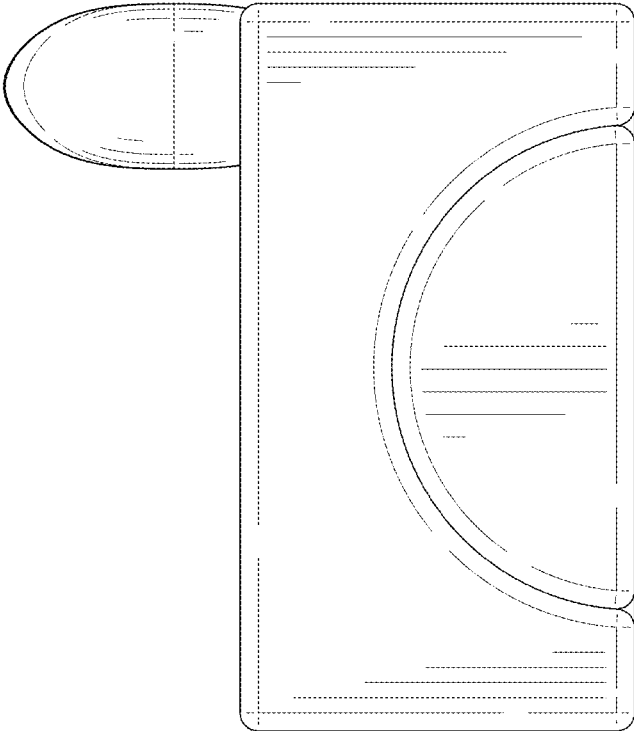


FIG. 6

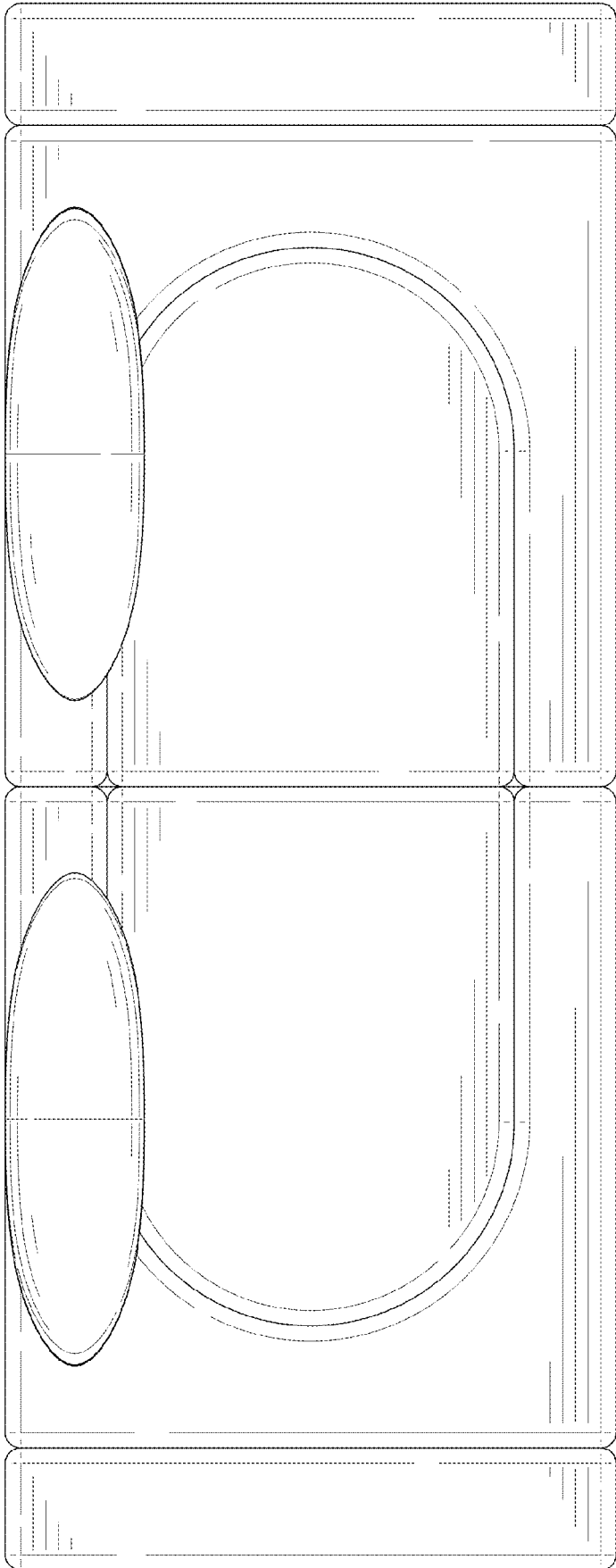


FIG. 7

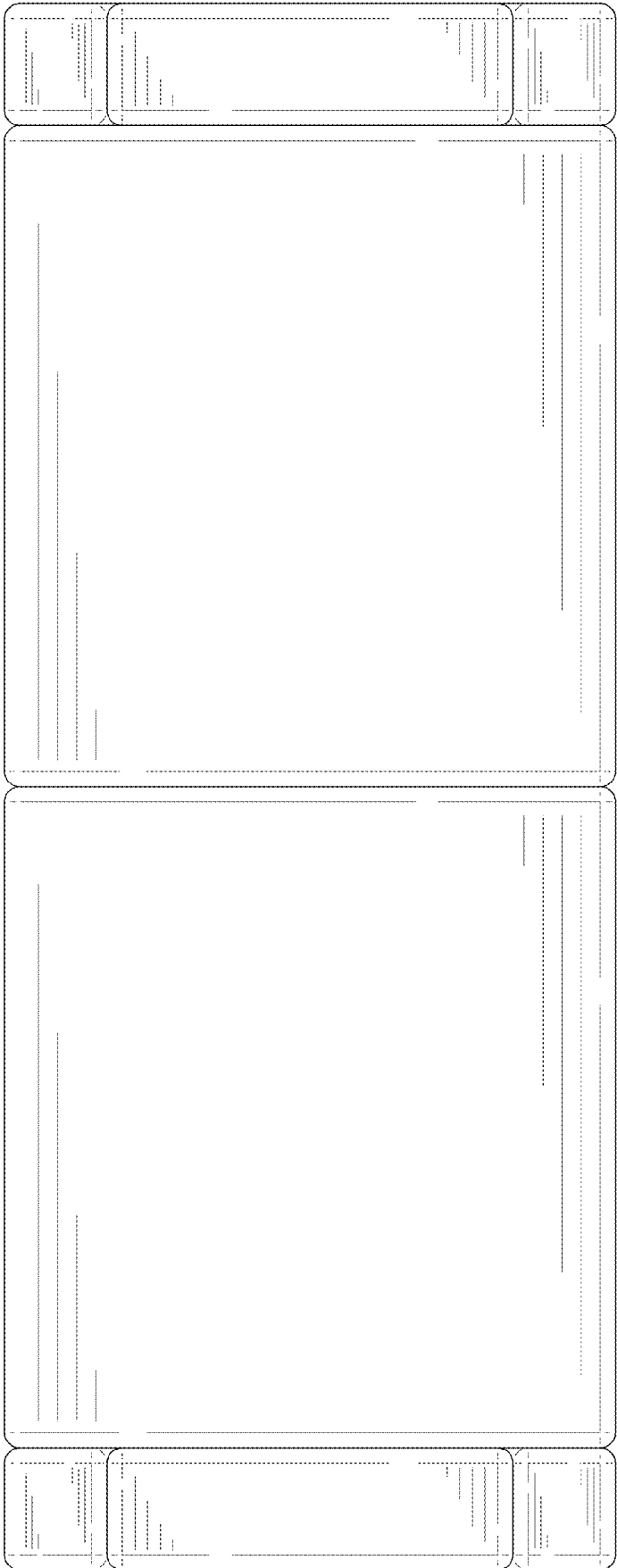


FIG. 8

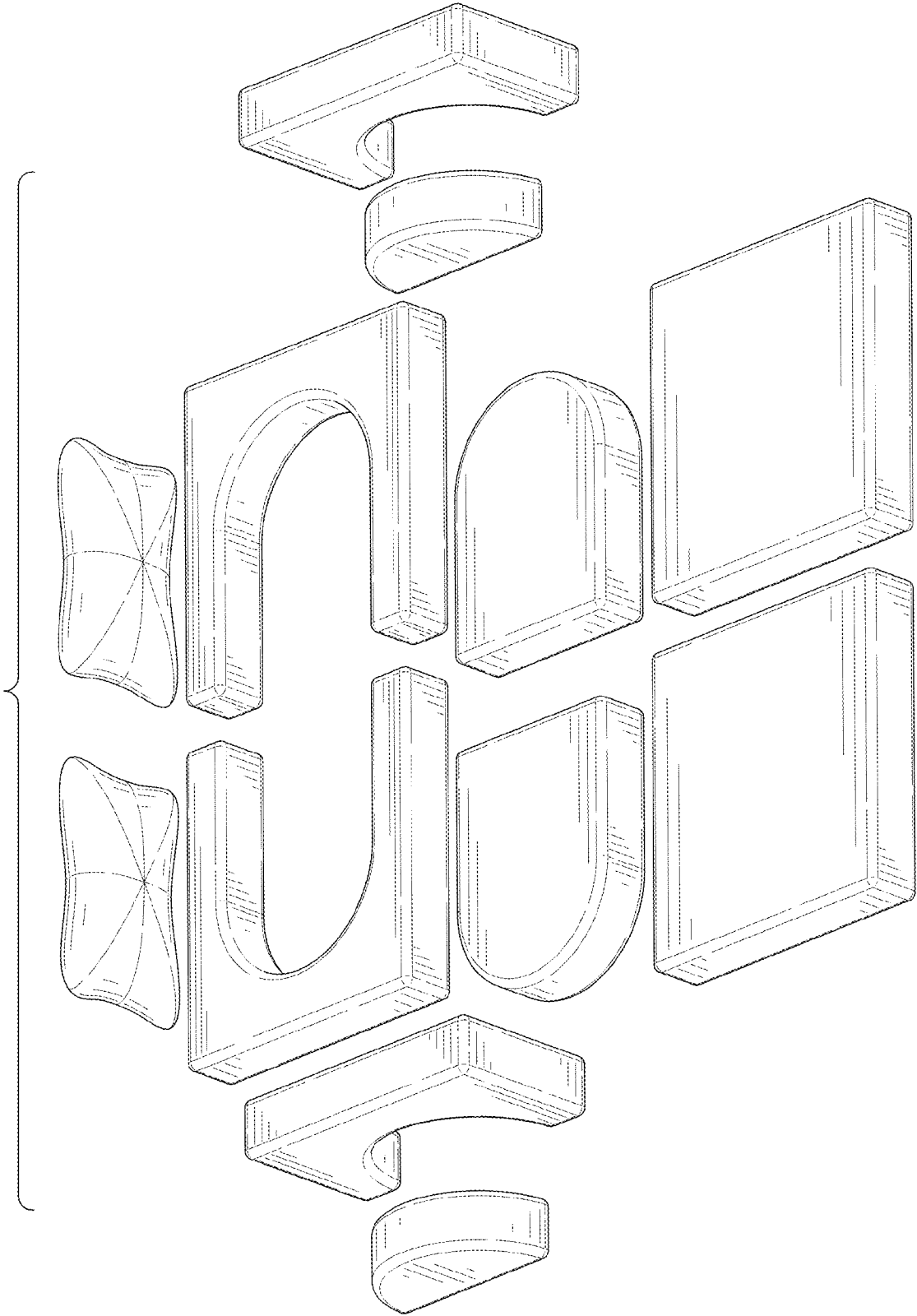


FIG. 9

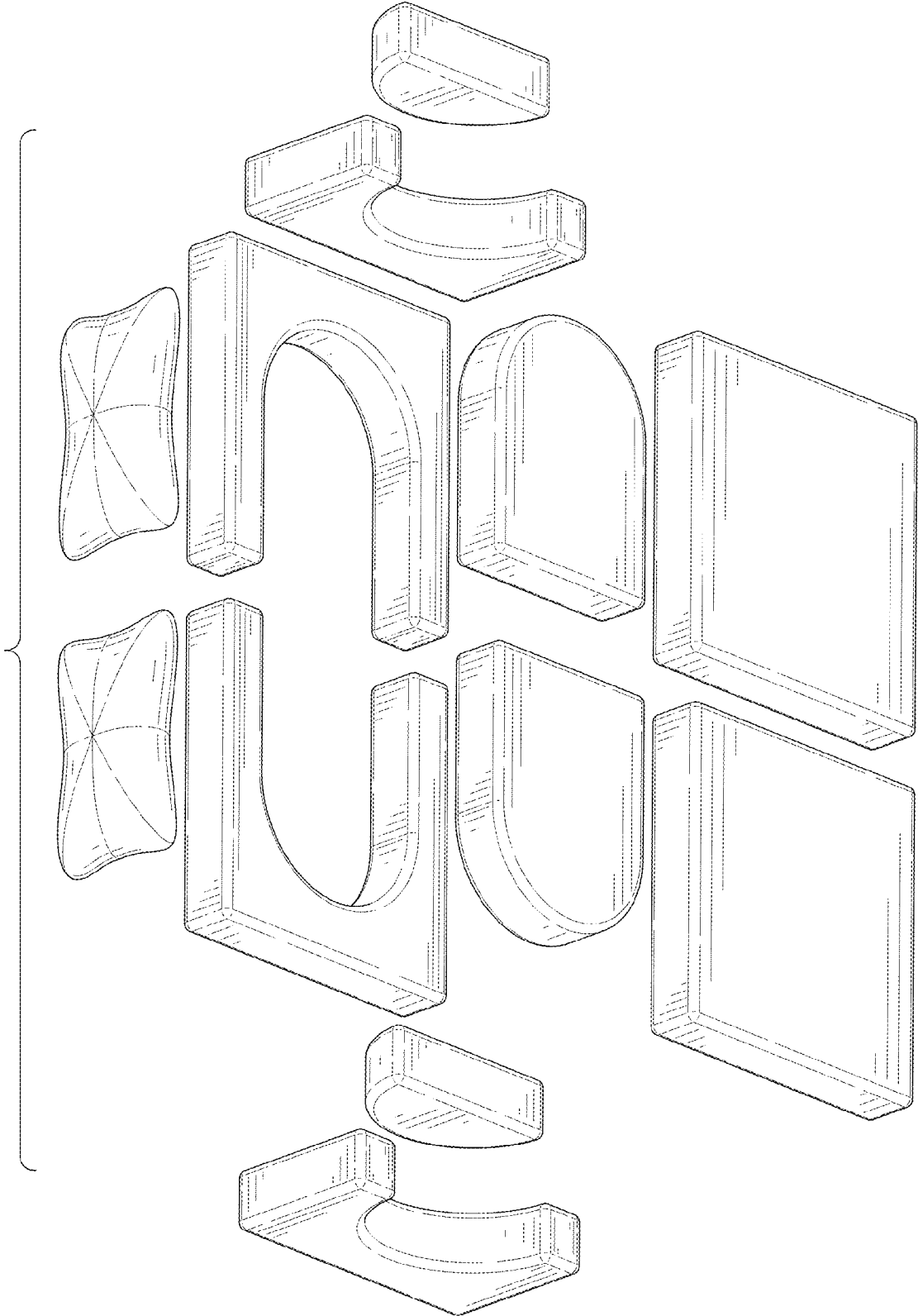


FIG. 10

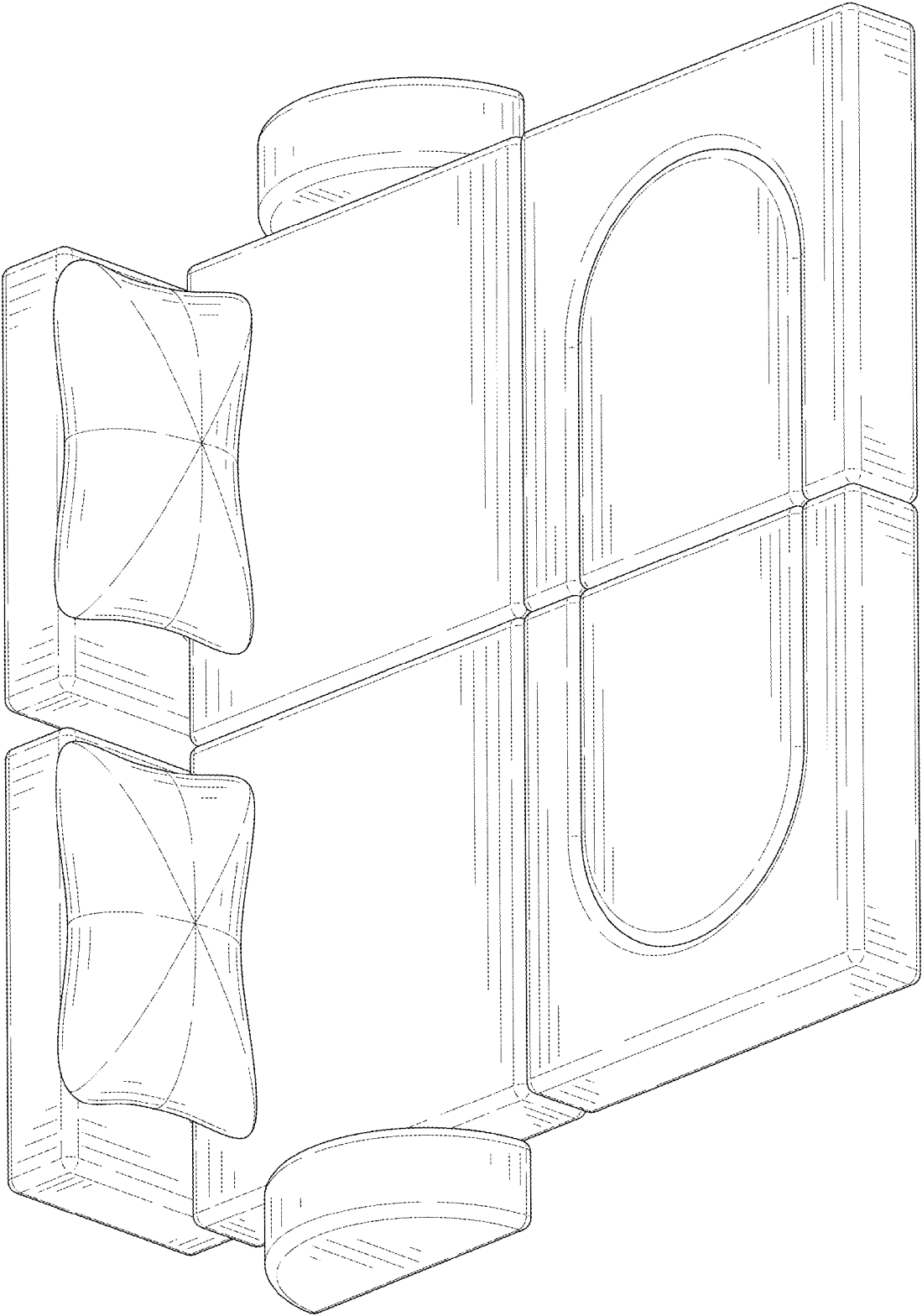


FIG. 11

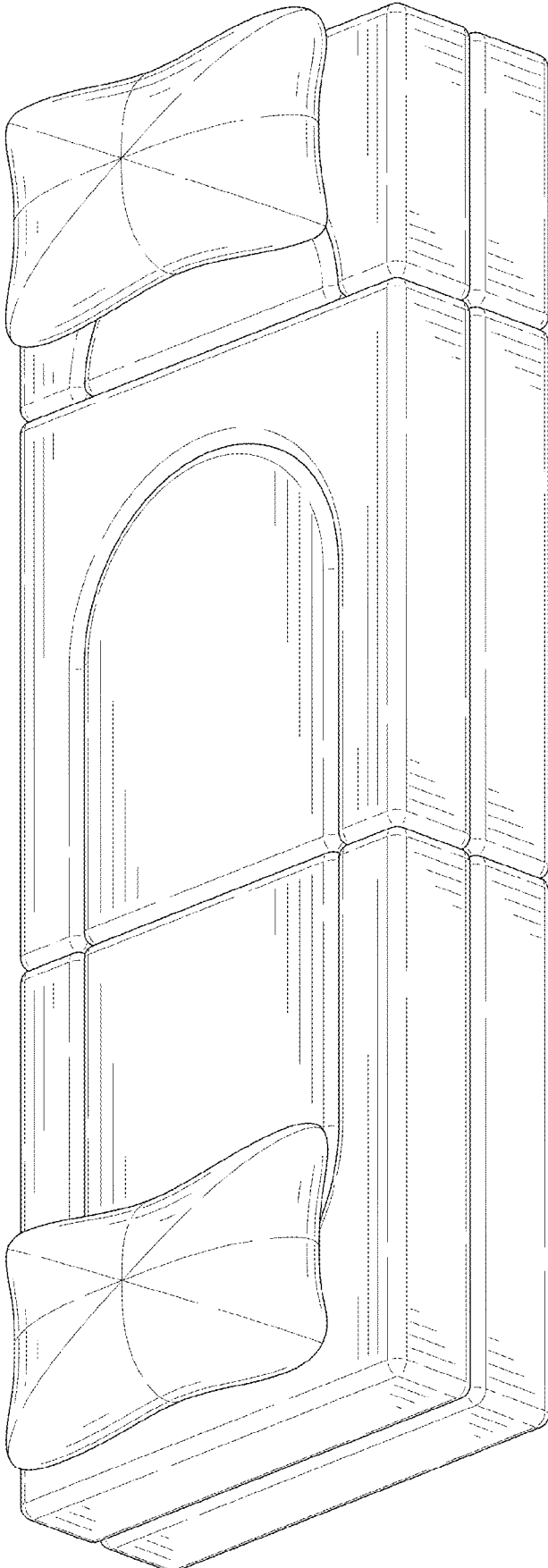


FIG. 12