



US00D794484S

(12) **United States Design Patent**  
**Takeya et al.**

(10) **Patent No.:** **US D794,484 S**

(45) **Date of Patent:** **\*\* Aug. 15, 2017**

(54) **ELECTRIC POWER METER**

OTHER PUBLICATIONS

(71) Applicant: **OMRON Corporation**, Kyoto-shi, Kyoto (JP)

U.S. Appl. No. 29/556,856, filed Mar. 3, 2016; Takeya et al.

\* cited by examiner

(72) Inventors: **Akihiro Takeya**, Kusatsu (JP); **Satoshi Motouji**, Kyoto (JP); **Shinichiro Iura**, Kameoka (JP); **Goro Kawakami**, Kusatsu (JP); **Naoki Okada**, Itami (JP); **Koyuru Nakano**, Nara (JP); **Kazuo Inaba**, Nagaokakyo (JP)

*Primary Examiner* — Antoine D Davis

(74) *Attorney, Agent, or Firm* — Sterne, Kessler, Goldstein & Fox P.L.L.C.

(73) Assignee: **OMRON Corporation**, Kyoto-shi (JP)

(57) **CLAIM**

(\*\*) Term: **15 Years**

The ornamental design for an electric power meter, as shown and described.

(21) Appl. No.: **29/556,857**

(22) Filed: **Mar. 3, 2016**

(30) **Foreign Application Priority Data**

**DESCRIPTION**

Nov. 19, 2015 (JP) ..... 2015-025954

(51) **LOC (10) CL.** ..... **10-04**

(52) **U.S. CL.**  
USPC ..... **D10/103**

(58) **Field of Classification Search**  
USPC ..... D10/99, 100, 102, 103  
CPC ..... G01R 22/00; G01R 22/06; G01R 22/061; G01R 22/08; G01R 22/10; G01R 22/065; G01R 21/00; G01R 21/06; G01R 21/133; G01R 21/1331; G01R 21/1333; G01R 21/1335; G01R 21/1336; G01R 21/1338  
See application file for complete search history.

FIG. 1 is a top, front and left side perspective view of an electric power meter;  
FIG. 2 is a front elevational view thereof;  
FIG. 3 is a rear elevational view thereof;  
FIG. 4 is a left side view thereof;  
FIG. 5 is a right side view thereof;  
FIG. 6 is a top plan view thereof;  
FIG. 7 is a bottom plan view thereof;  
FIG. 8 is a top, front and left side perspective view thereof in an opened position; and,  
FIG. 9 is a top, front and right side perspective view thereof in the opened position.

(56) **References Cited**

U.S. PATENT DOCUMENTS

The dashed broken lines in the figures show portions of the electric power meter that form no part of the claimed design. The dot-dash broken lines in the figures show boundaries of the claimed design.

D703,078 S \* 4/2014 Hong ..... D10/100  
D772,088 S \* 11/2016 Kono ..... D10/100  
D774,931 S \* 12/2016 Kono ..... D10/100

**1 Claim, 9 Drawing Sheets**

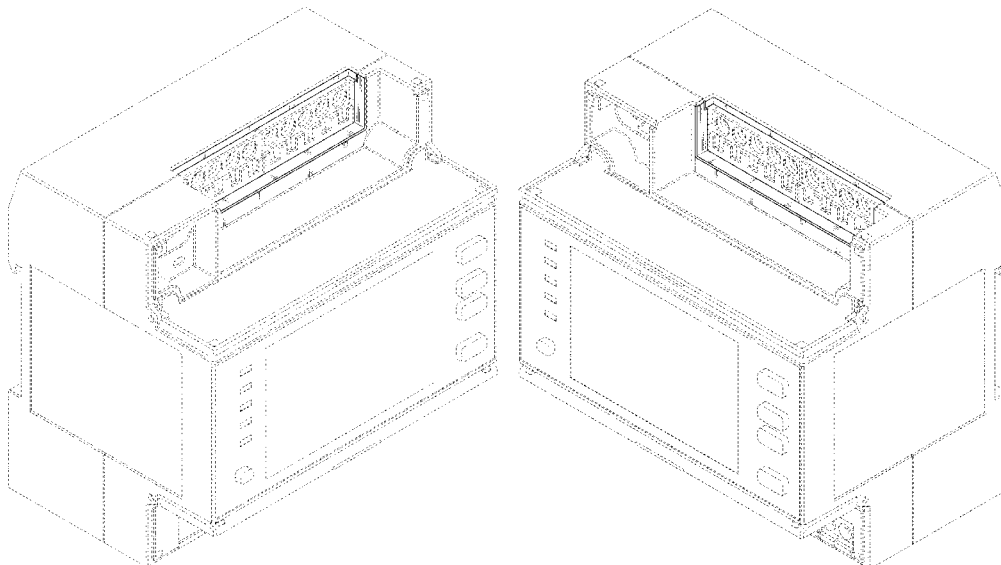


Fig. 1

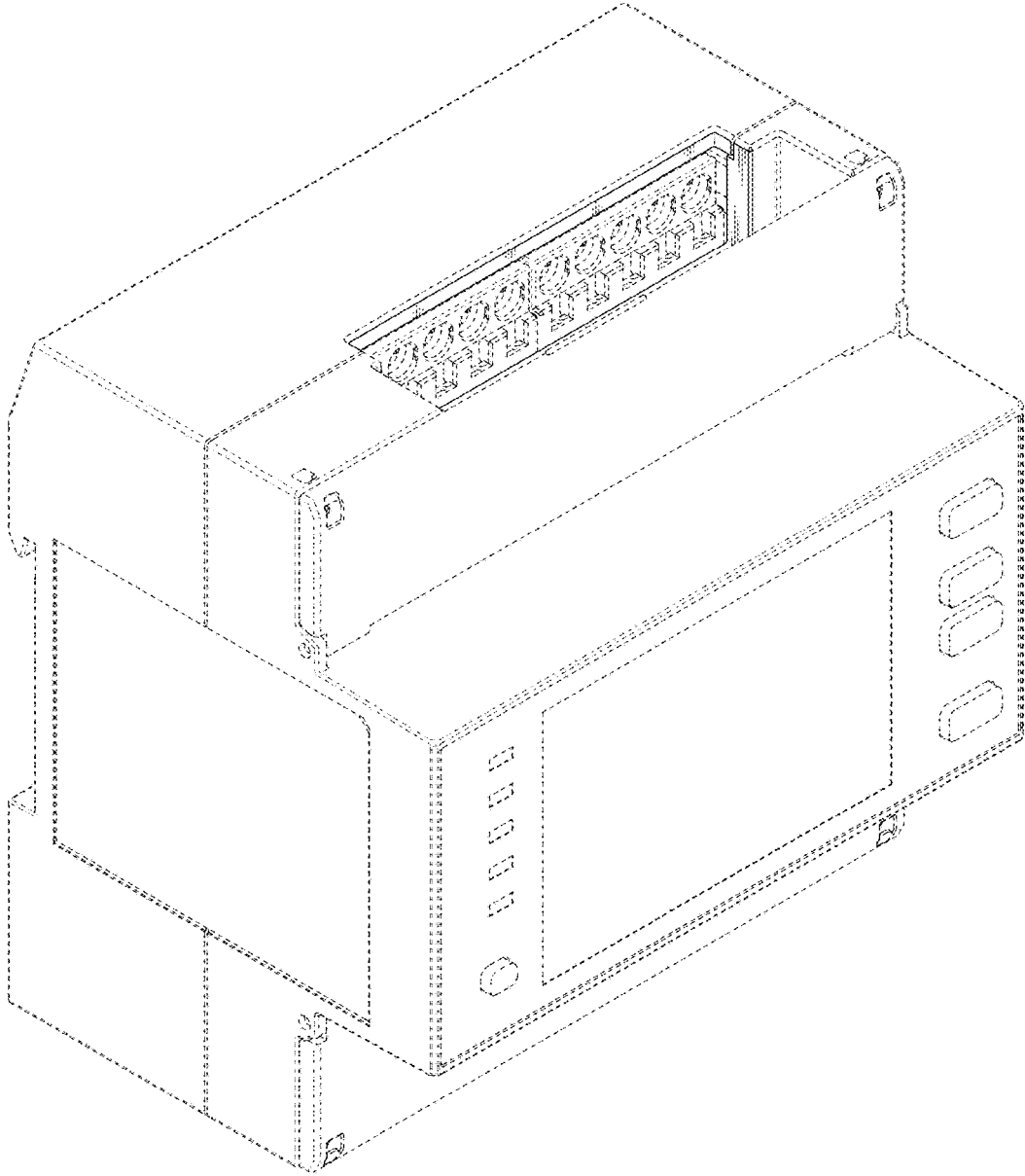


Fig. 2

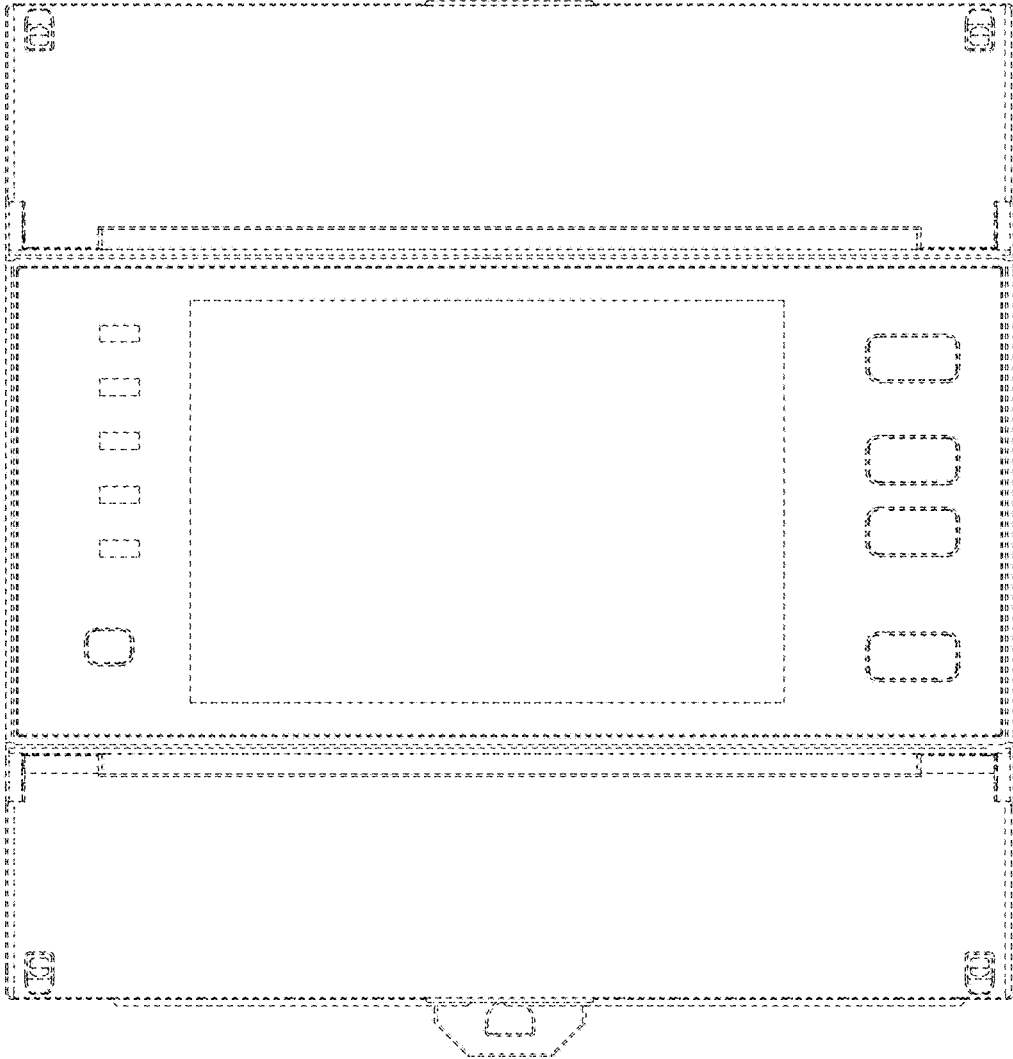


Fig. 3

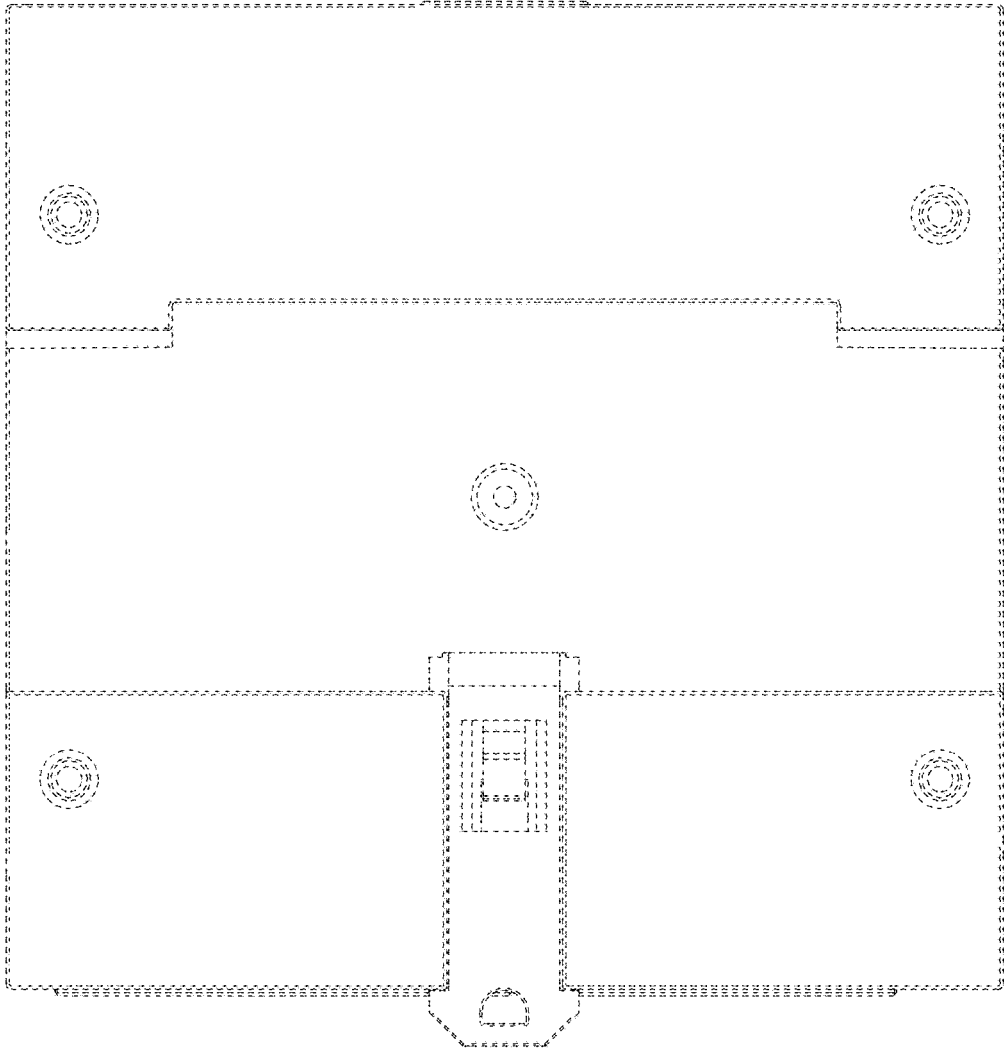


Fig. 4

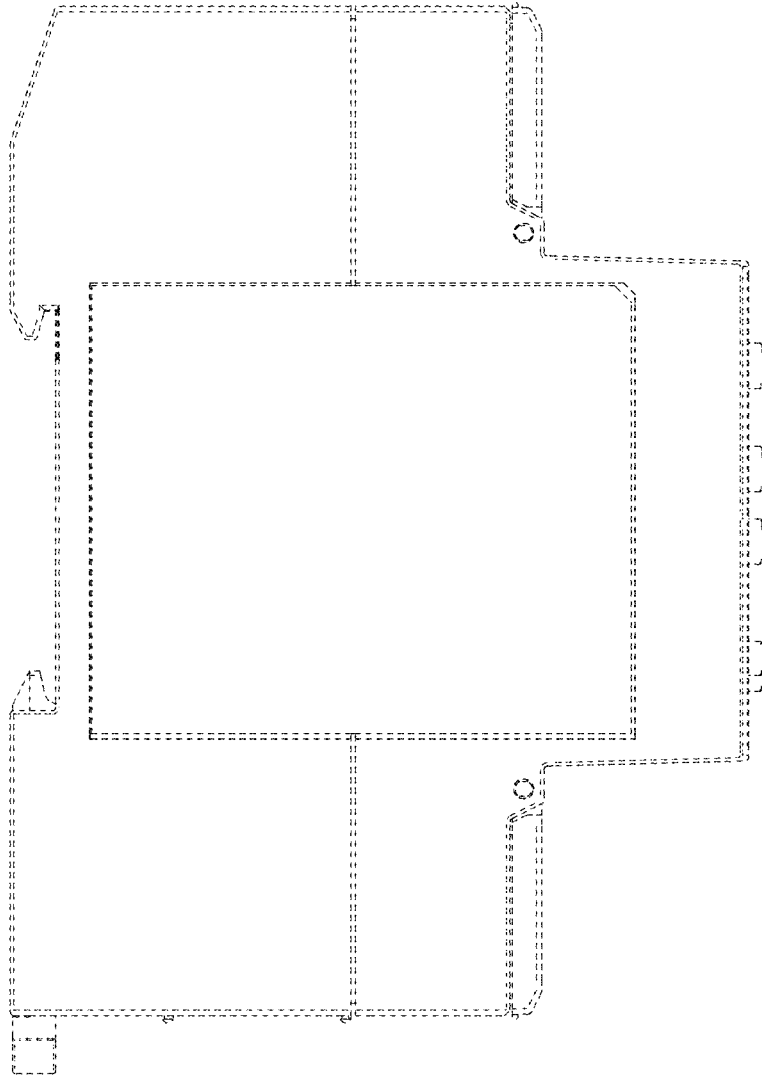


Fig. 5

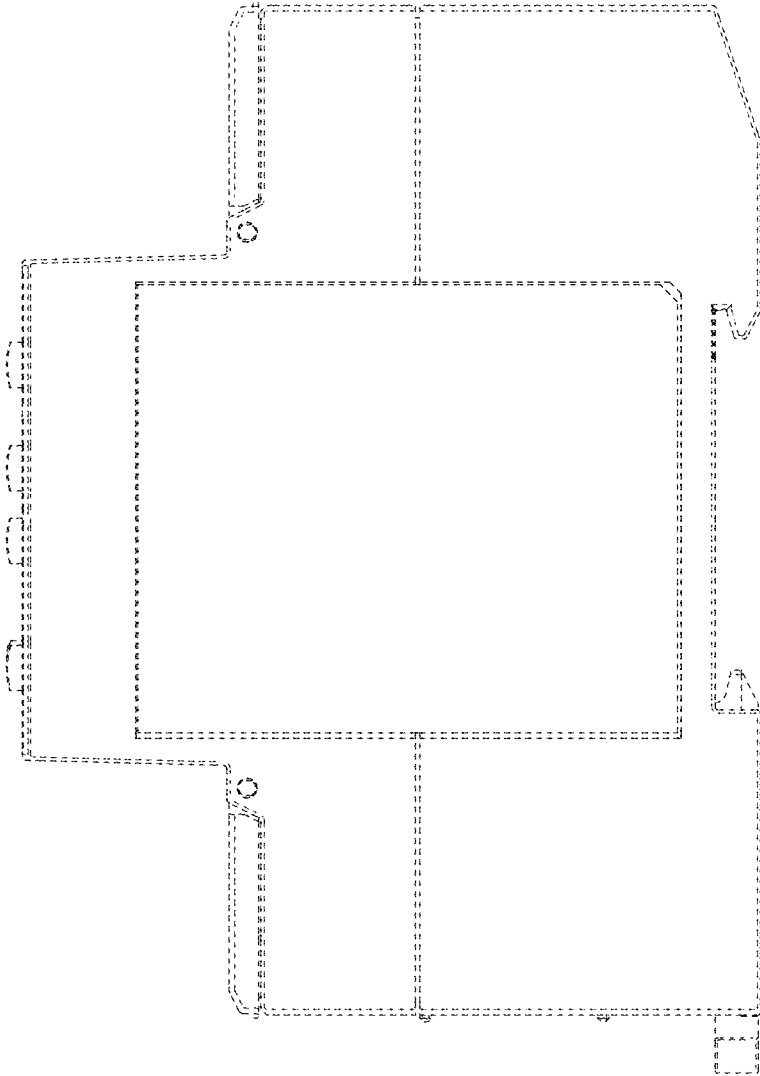


Fig. 6

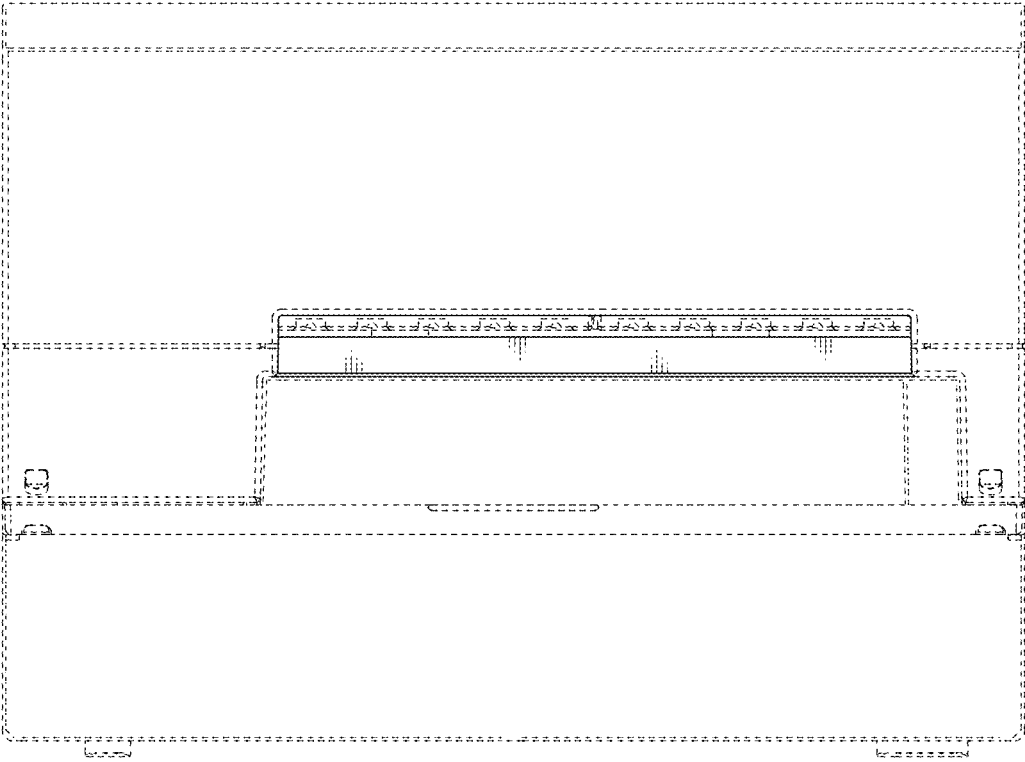


Fig. 7

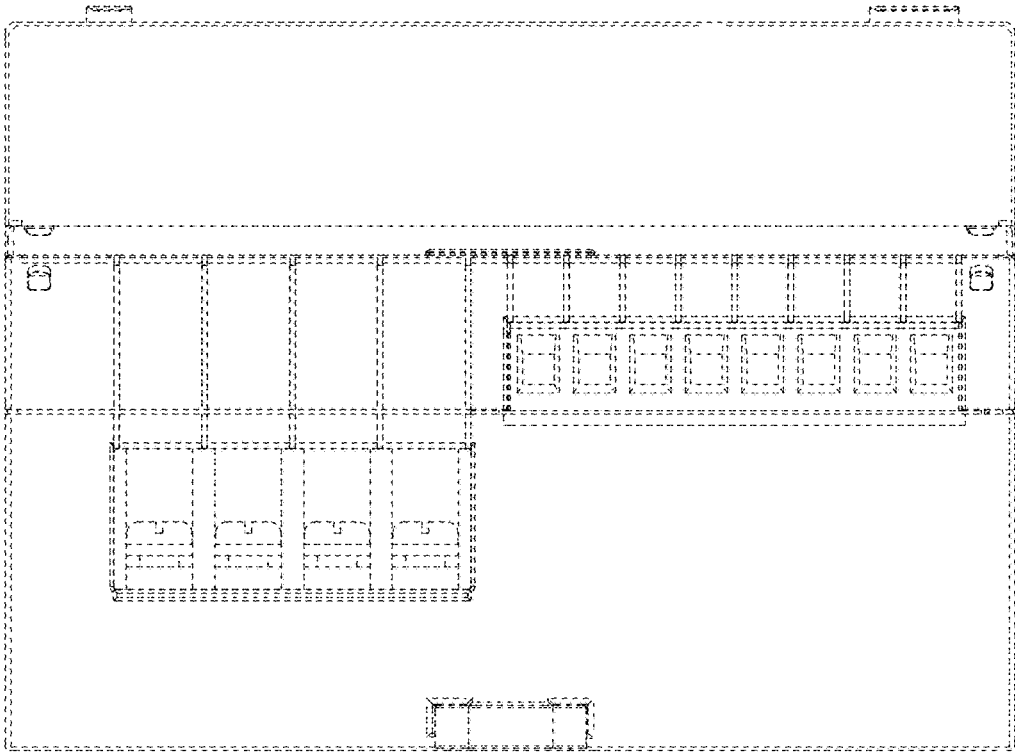


Fig. 8

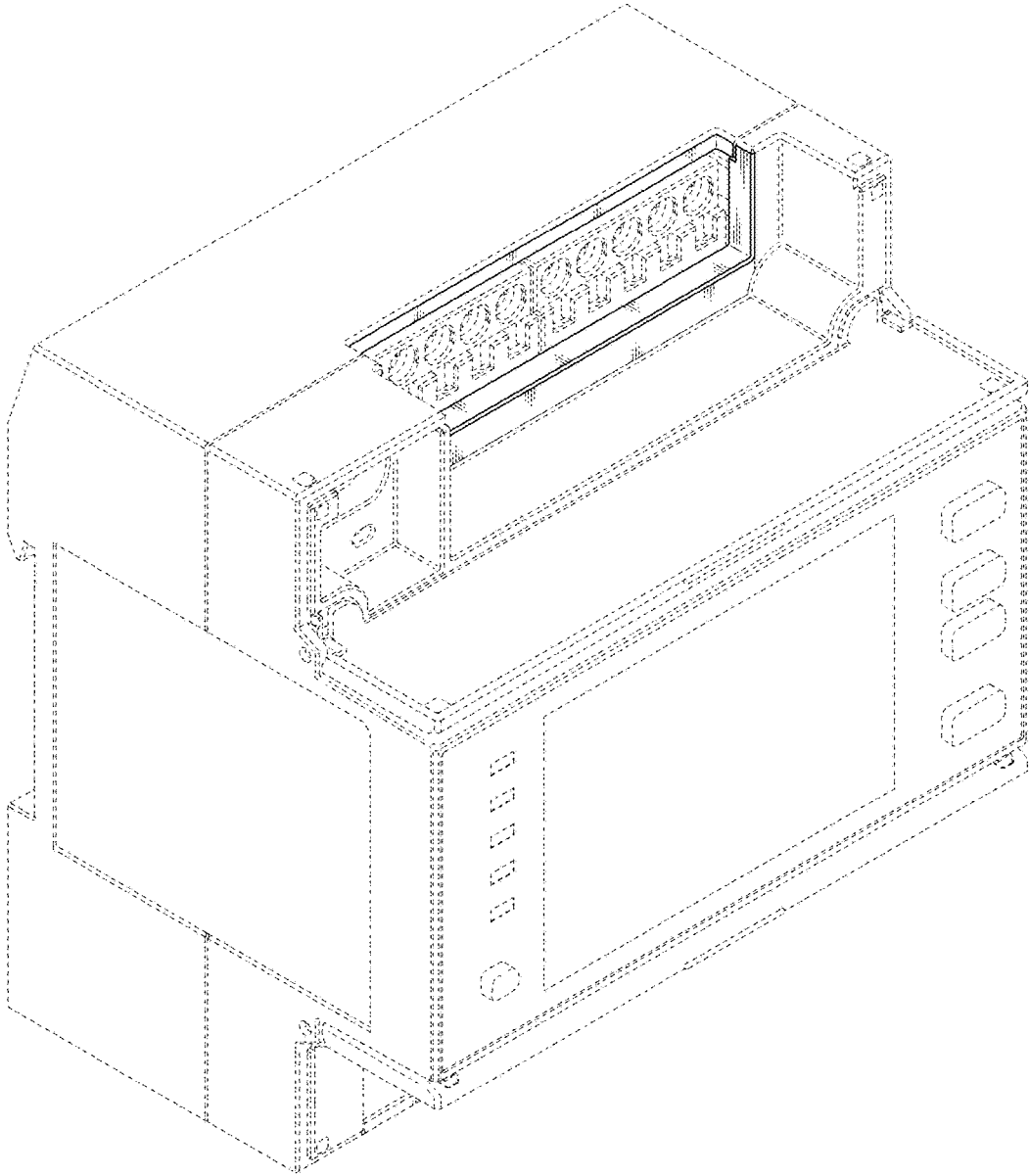


Fig. 9

