



US00D348938S

United States Patent [19]

[11] Patent Number: Des. 348,938

Kennett

[45] Date of Patent: ** Jul. 19, 1994

[54] LADDER STABILIZER

[76] Inventor: Douglas A. Kennett, 255 Willow St., Woonsocket, R.I. 02895

[**] Term: 14 Years

[21] Appl. No.: 1,767

[22] Filed: Nov. 23, 1992

[52] U.S. Cl. D25/68

[58] Field of Search 182/107, 214; 248/302-303; D8/370, 354, 380, 373; D25/67, 68, 62

[56] References Cited

U.S. PATENT DOCUMENTS

D. 305,567	1/1990	Scott	D25/67
D. 309,026	7/1990	Harvey et al.	D25/68
D. 316,608	4/1991	Wagner	D25/68
4,306,632	12/1981	Brown	182/107
4,363,378	12/1982	Williams et al.	182/107
4,591,023	5/1986	Hodson	182/107
4,798,263	1/1989	Harvey et al.	182/107
4,949,810	8/1990	Dwinnell	182/107
5,010,979	4/1991	Shreve, III	182/107

Primary Examiner—A. Hugo Word

Assistant Examiner—Doris Clark

Attorney, Agent, or Firm—Robert J. Doherty

[57] CLAIM

The ornamental design for a ladder stabilizer, as shown and described.

DESCRIPTION

FIG. 1 is a front perspective view showing my new design for a ladder stabilizer;

FIG. 2 is a right side elevational view of the ladder stabilizer shown in FIG. 1, the left side elevational view being the substantial mirror image thereof;

FIG. 3 is front elevational view of the ladder stabilizer shown in FIG. 1, the rear elevational view being the substantial mirror image thereof;

FIG. 4 is a top plan view of the ladder stabilizer shown in FIG. 1;

FIG. 5 is a bottom plan view of the ladder stabilizer shown in FIG. 1;

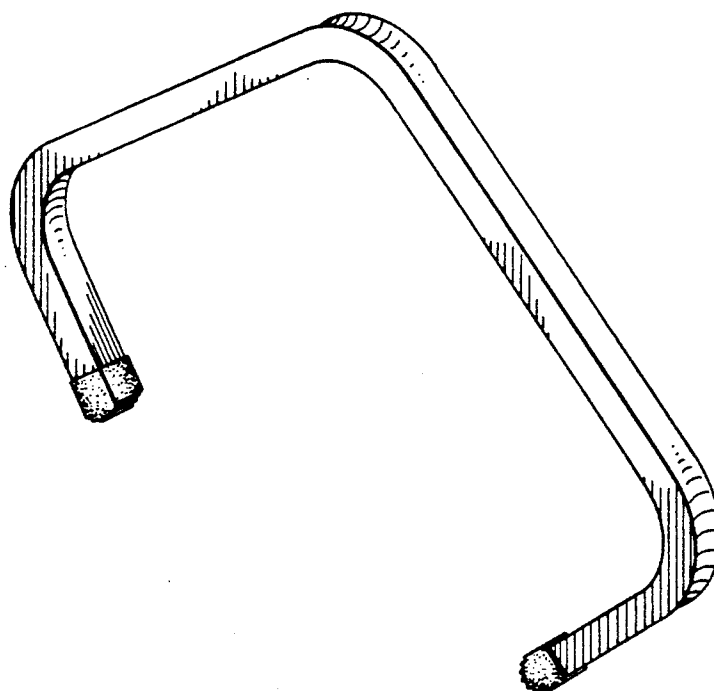
FIG. 6 is a front perspective view of an alternate form of a ladder stabilizer from that shown in FIG. 1;

FIG. 7 is a right side elevational view of the ladder stabilizer shown in FIG. 6, the left side elevational view being the substantial mirror image thereof;

FIG. 8 is a front elevational view of the ladder stabilizer shown in FIG. 6, the rear elevational view being the substantial mirror image thereof;

FIG. 9 is a top plan view of the ladder stabilizer shown in FIG. 6; and,

FIG. 10 is a bottom plan view of the ladder stabilizer shown in FIG. 6.



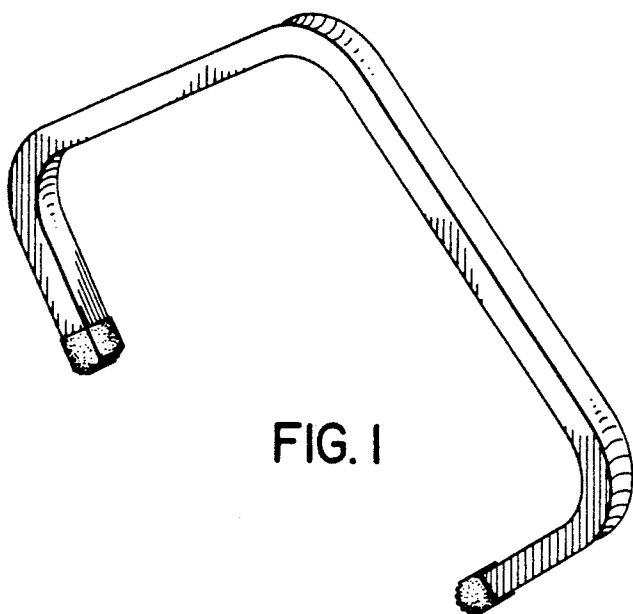


FIG. 1

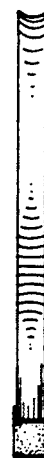


FIG. 2

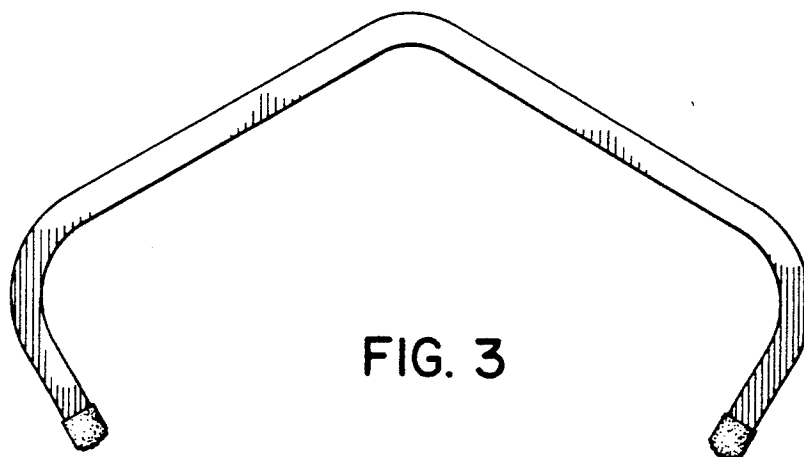


FIG. 3

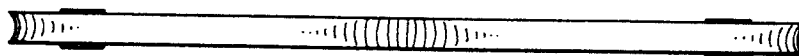


FIG. 4



FIG. 5

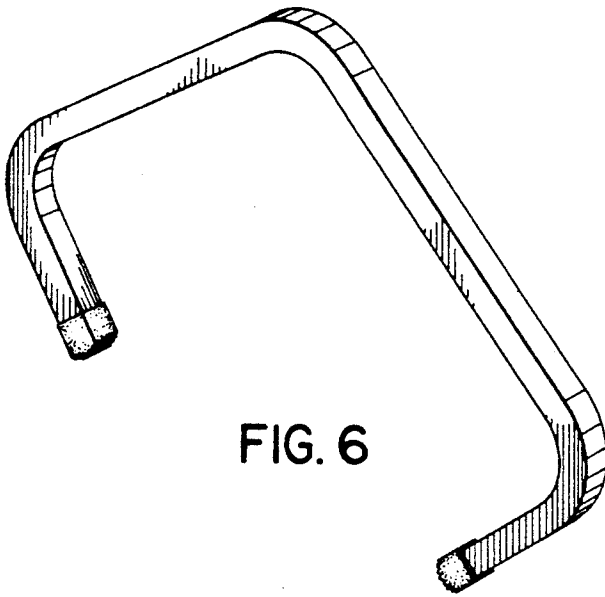


FIG. 6



FIG. 7

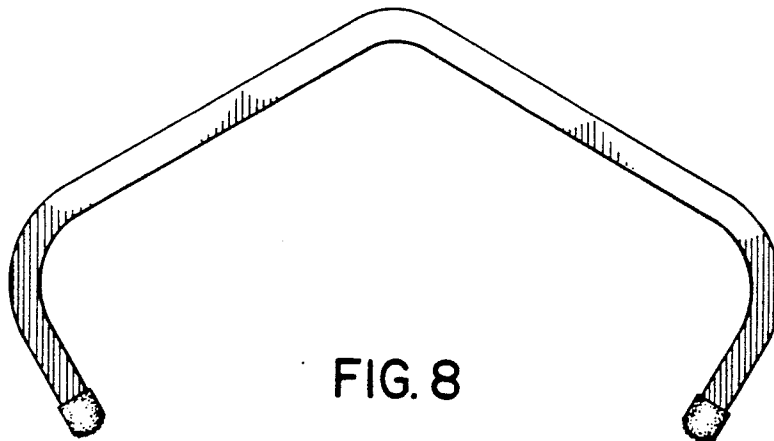


FIG. 8



FIG. 9



FIG. 10