



US00D766537S

(12) **United States Design Patent** (10) **Patent No.:** **US D766,537 S**
Thuma et al. (45) **Date of Patent:** **** Sep. 13, 2016**

(54) **REFUSE CONTAINER**
(71) Applicant: **Suncast Technologies, LLC**, Palm Beach Gardens, FL (US)
(72) Inventors: **Michael Thuma**, La Grange, IL (US); **Michael R. Vogler**, Oswego, IL (US)
(73) Assignee: **Suncast Technologies, LLC**, Palm Beach Gardens, FL (US)
(**) Term: **15 Years**
(21) Appl. No.: **29/533,194**
(22) Filed: **Jul. 15, 2015**
(51) **LOC (10) Cl.** **09-09**
(52) **U.S. Cl.**
USPC **D34/7**
(58) **Field of Classification Search**
USPC D34/1-11; 220/908, 263, 260, 4.28, 220/4.32, 812
CPC B65F 1/02; B65F 1/1607; B65F 1/1615
See application file for complete search history.

D507,687 S * 7/2005 Moon D34/1
7,073,677 B2 * 7/2006 Richardson B65F 1/02
220/4.32
D537,222 S * 2/2007 Presnell D34/7
D551,414 S * 9/2007 Weiss D34/1
D644,391 S * 8/2011 Kopp D34/7
D707,108 S * 6/2014 Fischer, Jr. D8/359
2005/0016999 A1 * 1/2005 Richardson B65F 1/02
220/4.28

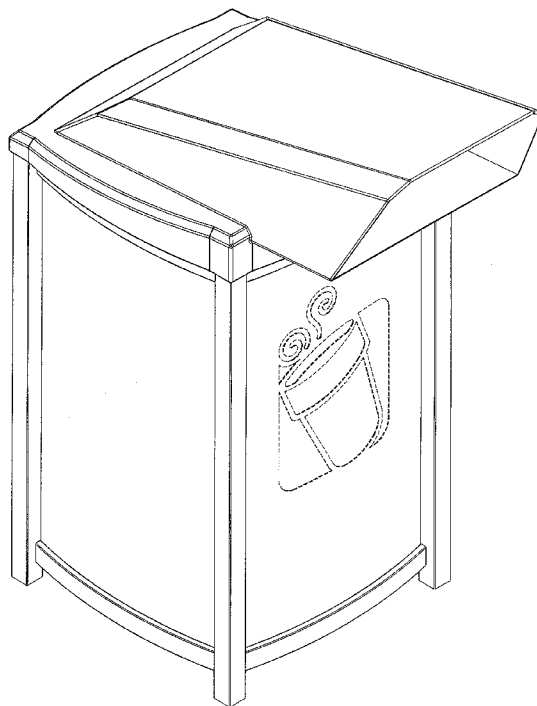
* cited by examiner
Primary Examiner — Cynthia Ramirez
Assistant Examiner — Gino Colan
(74) *Attorney, Agent, or Firm* — McHale & Slavin, P.A.

(56) **References Cited**
U.S. PATENT DOCUMENTS
3,394,832 A * 7/1968 McAllister B65F 1/06
220/254.3
D229,279 S * 11/1973 Kay D34/1
D232,211 S * 7/1974 Kay D34/1
5,967,355 A * 10/1999 Ragot B65F 1/02
220/4.32
D493,591 S * 7/2004 Skalka D34/7

(57) **CLAIM**
The ornamental design for a refuse container, as shown and described.

DESCRIPTION
FIG. 1 is a top left perspective view of the refuse container of the present invention;
FIG. 2 is a left side view thereof;
FIG. 3 is a right side view thereof;
FIG. 4 is a rear view thereof;
FIG. 5 is a front view thereof;
FIG. 6 is a top view thereof; and,
FIG. 7 is a top right perspective view thereof.
The portions of the refuse container illustrated in broken lines form no part of the claimed subject matter.

1 Claim, 7 Drawing Sheets



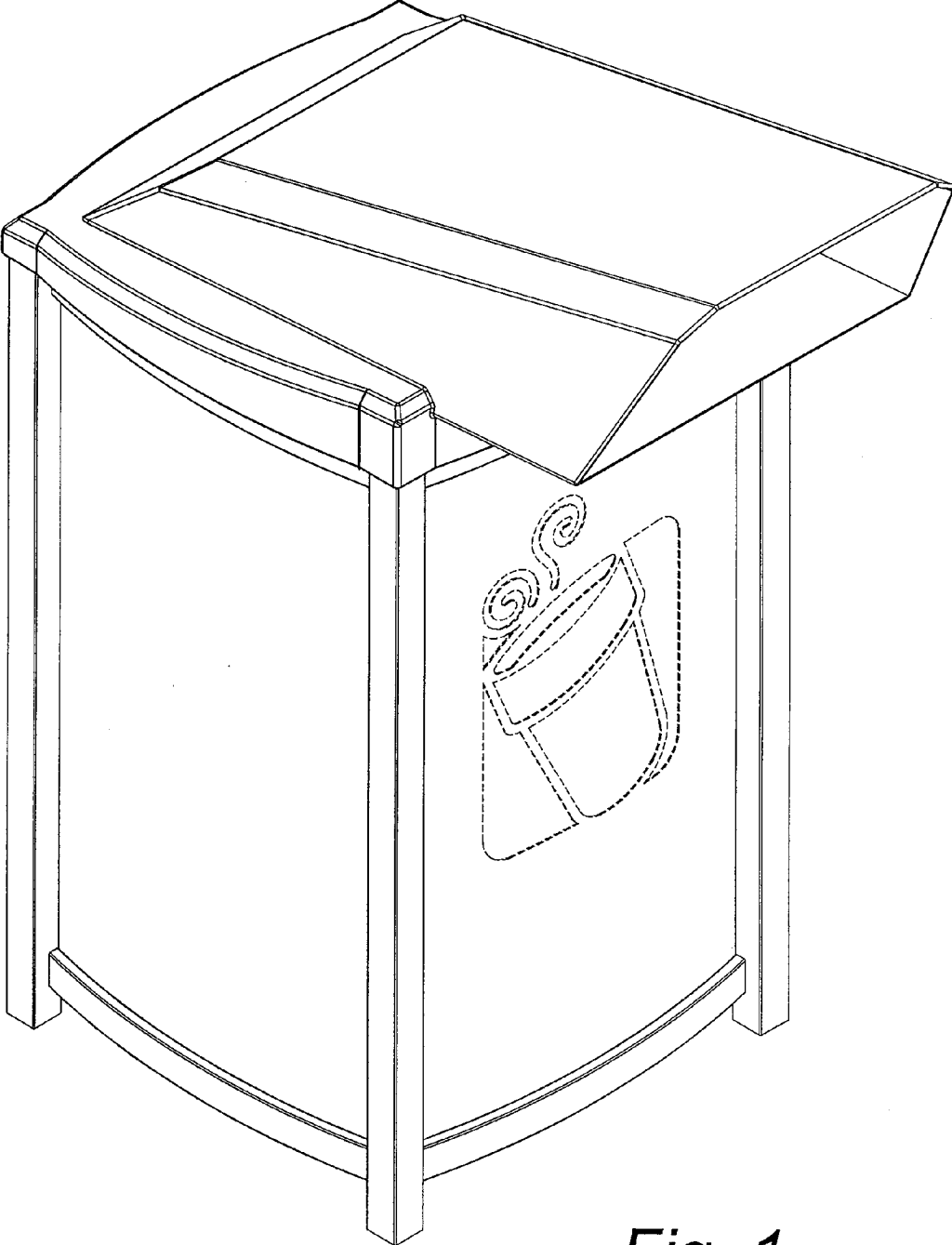


Fig. 1

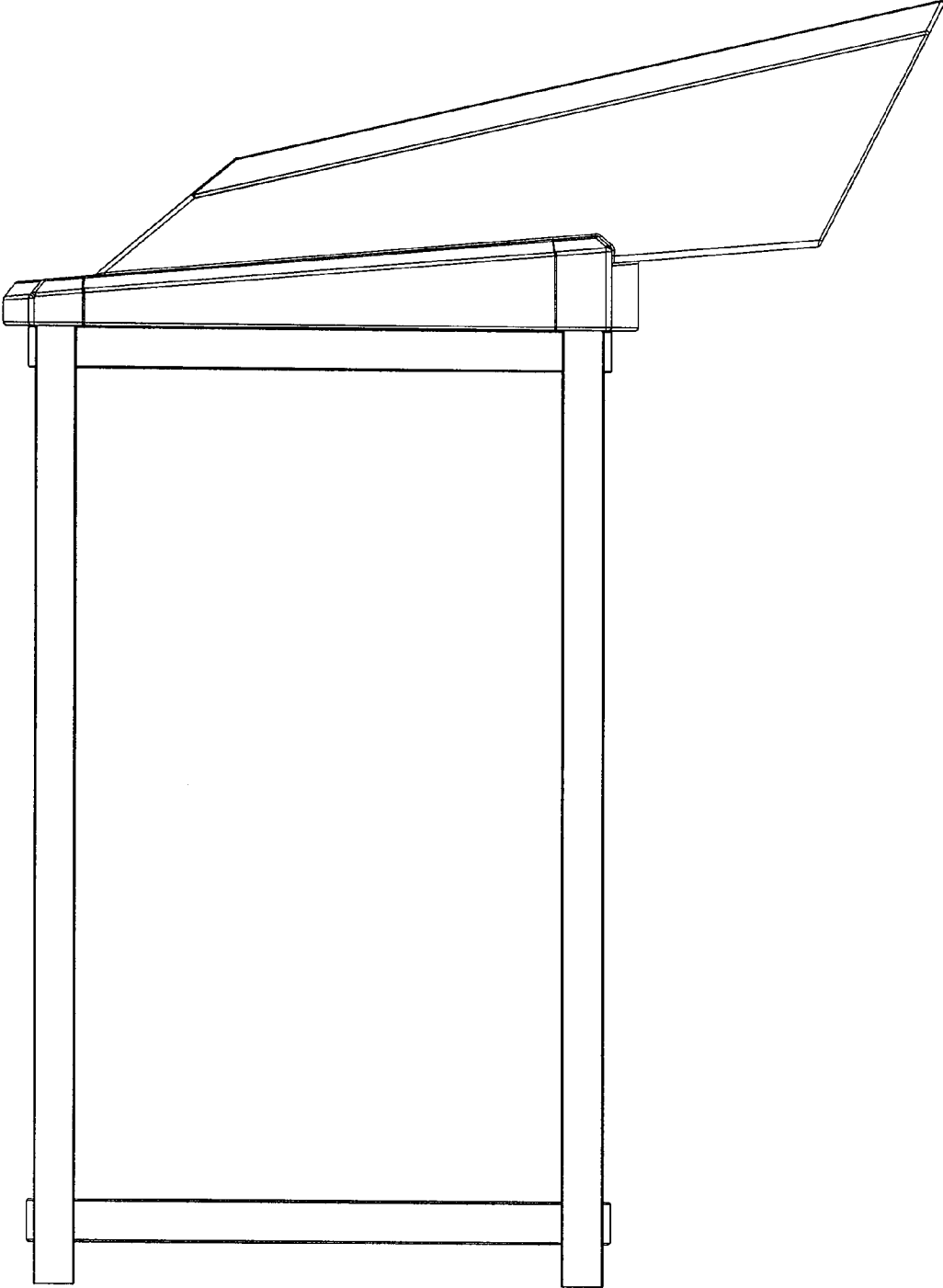


Fig. 2

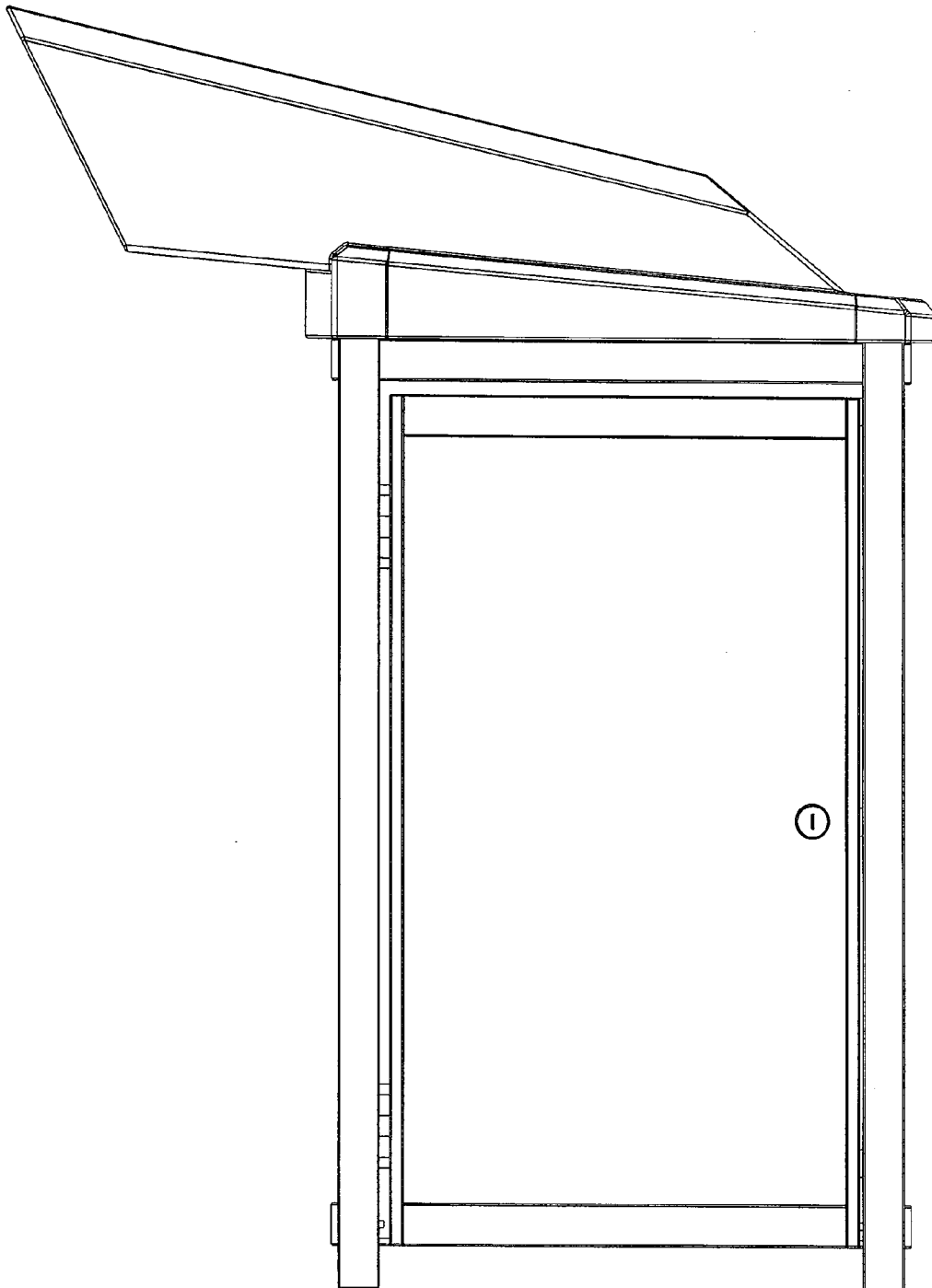


Fig. 3

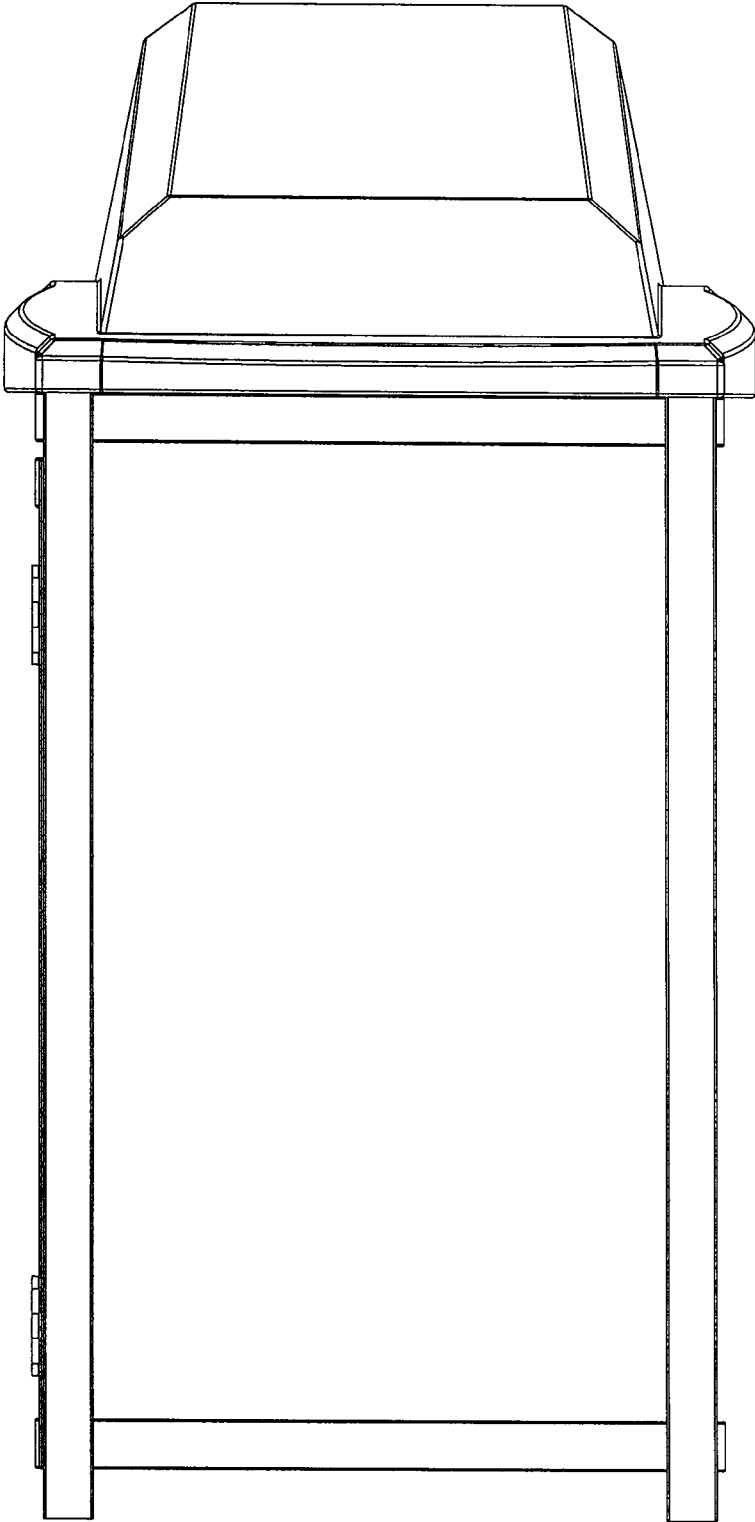


Fig. 4

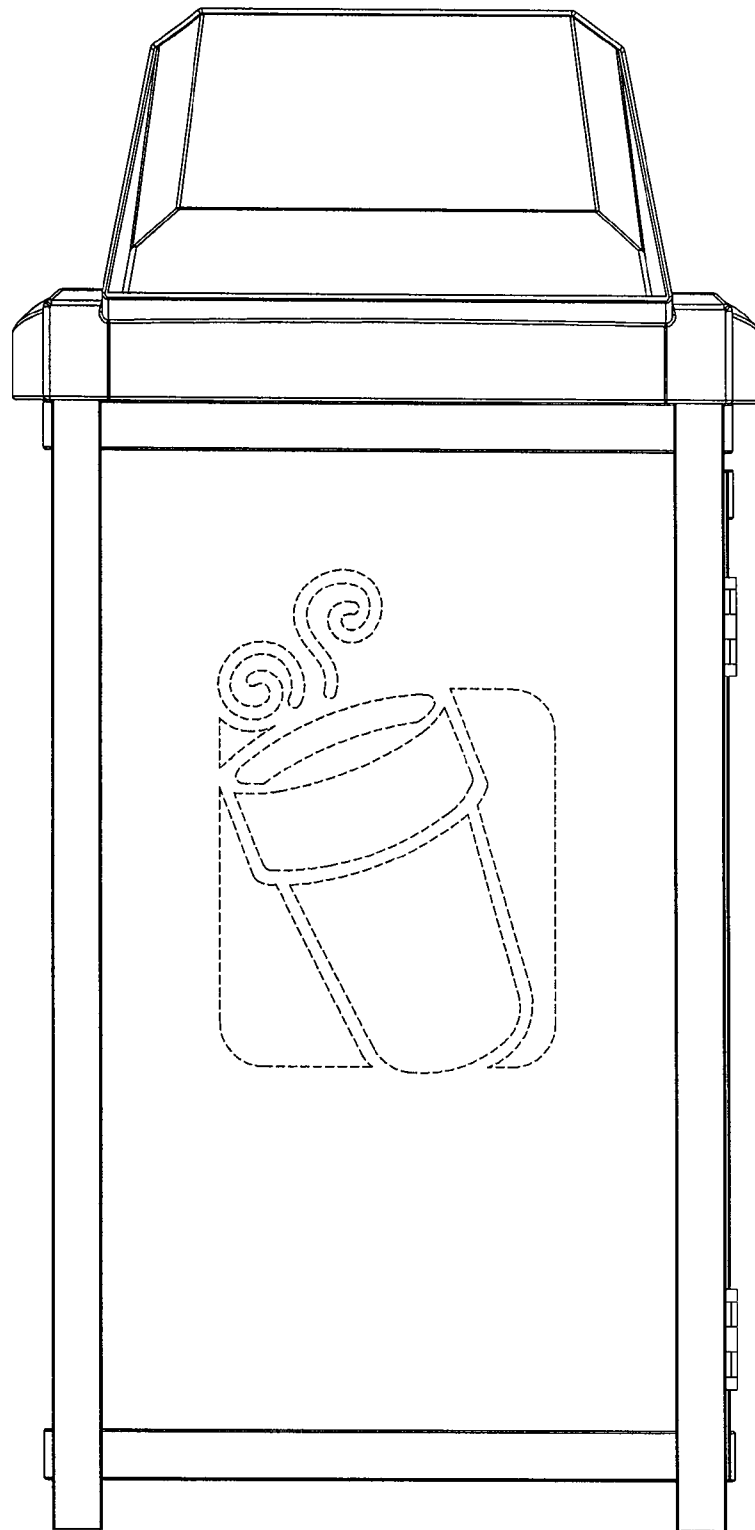


Fig. 5

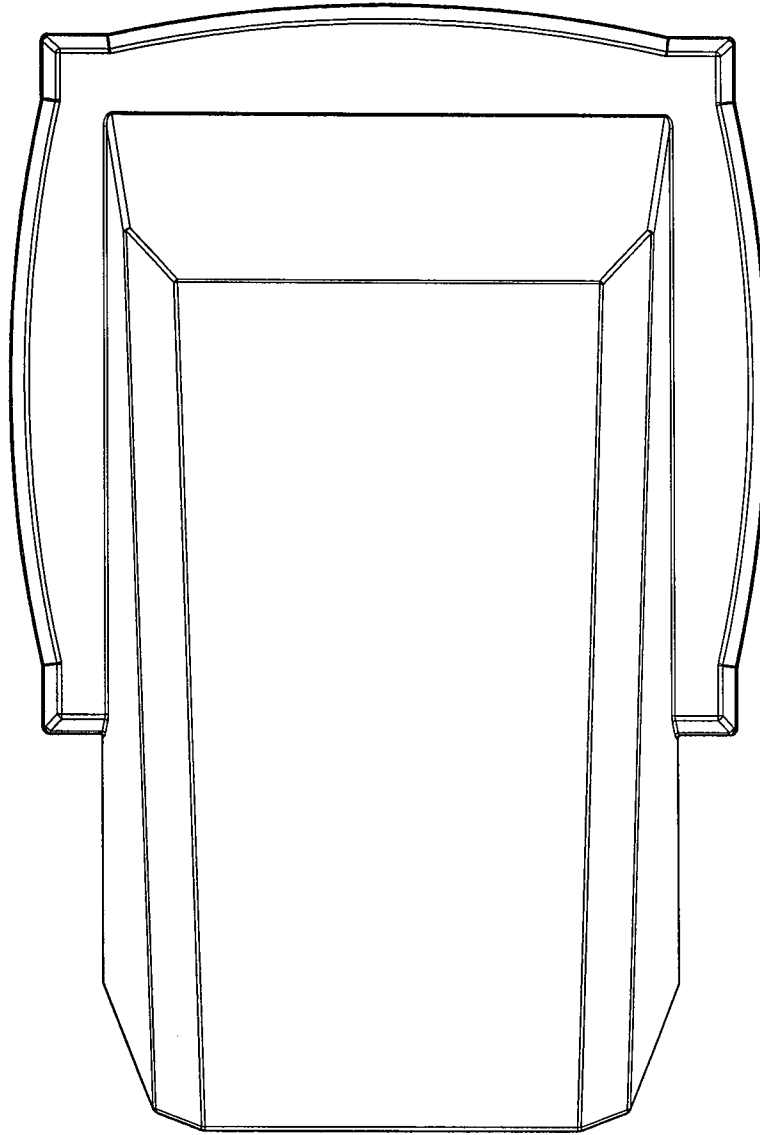


Fig. 6

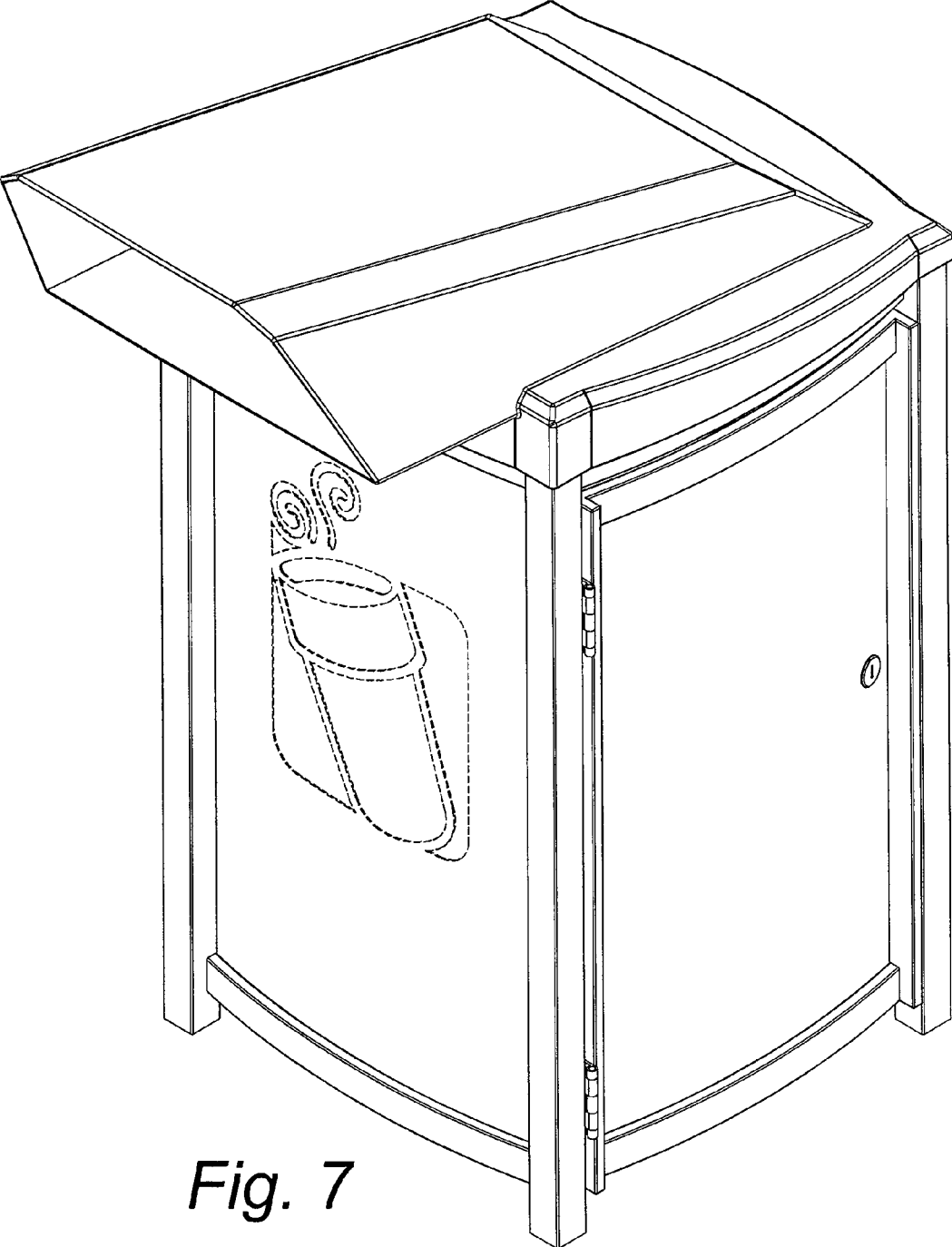


Fig. 7