



US0D1069752S

(12) **United States Design Patent**
Lee

(10) **Patent No.:** **US D1,069,752 S**

(45) **Date of Patent:** **** Apr. 8, 2025**

(54) **HEADSET ATTACHMENT**

FOREIGN PATENT DOCUMENTS

(71) Applicant: **RAZER (ASIA-PACIFIC) PTE. LTD.**,
Singapore (SG)

CN 307609018 10/2022
EM 015038120-0002 * 10/2023
EM 0150381200003 10/2023

(Continued)

(72) Inventor: **Chang Tat Lee**, Singapore (SG)

OTHER PUBLICATIONS

(73) Assignee: **Razer (Asia-Pacific) Pte. Ltd.**,
Singapore (SG)

Ex Parte Quayle Action of the corresponding Design U.S. Appl. No. 29/967,880, dated Nov. 5, 2024, 7 pages (for informational purposes only).

(**) Term: **15 Years**

Primary Examiner — Paula Allen Greene

(21) Appl. No.: **29/874,827**

(74) *Attorney, Agent, or Firm* — Viering, Jentschura & Partner mbB

(22) Filed: **Apr. 25, 2023**

(51) **LOC (15) Cl.** **14-01**

(52) **U.S. Cl.**
USPC **D14/205; D14/207**

(58) **Field of Classification Search**
USPC D14/205, 207, 206; D29/112; 2/209;
D21/617; 446/189, 370
CPC H04R 25/00; H04R 25/02; H04R 1/1066;
H04R 1/1016; H04R 5/033; H04R
5/0335; H04R 1/10
See application file for complete search history.

(57) **CLAIM**

The ornamental design for a headset attachment as shown and described.

DESCRIPTION

FIG. 1 is a top perspective view of a first embodiment of a headset attachment, showing my new design; FIG. 2 is a front elevational view thereof; FIG. 3 is a rear elevational view thereof; FIG. 4 is a right side elevational view thereof; FIG. 5 is a left side elevational view thereof; FIG. 6 is a top plan view thereof; FIG. 7 is a bottom plan view thereof; and FIG. 8 is a bottom perspective view thereof. FIG. 9 is a top perspective view of a second embodiment of a headset attachment, showing my new design; FIG. 10 is a front elevational view thereof; FIG. 11 is a rear elevational view thereof; FIG. 12 is a right side elevational view thereof; FIG. 13 is a left side elevational view thereof; FIG. 14 is a top plan view thereof; FIG. 15 is a bottom plan view thereof; and FIG. 16 is a bottom perspective view thereof. The broken lines show portions of the headset attachment that form no part of the claimed design.

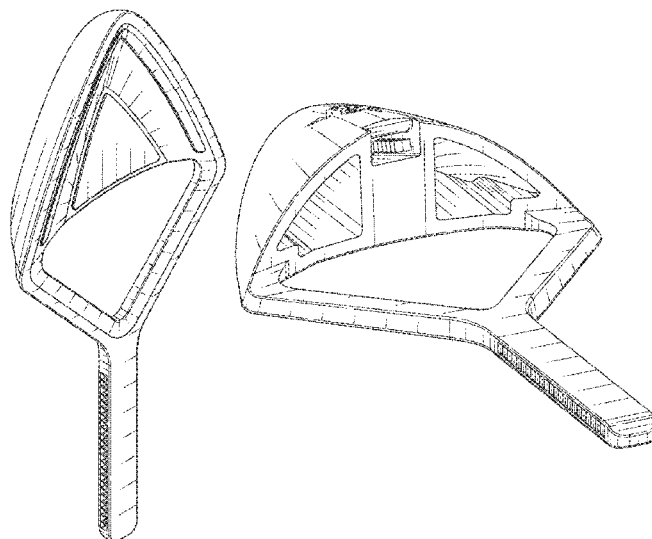
(56) **References Cited**

U.S. PATENT DOCUMENTS

D795,837 S * 8/2017 Cai D14/205
D813,195 S * 3/2018 Huang D14/207
10,021,487 B2 * 7/2018 Yan H04R 5/0335
D884,669 S * 5/2020 Zhong D14/205
D890,124 S * 7/2020 ShiXing D14/207
D909,989 S * 2/2021 Lu D14/207
D920,954 S * 6/2021 Tong D14/207
D926,154 S * 7/2021 Tong D14/206
D989,738 S * 6/2023 Liu D14/207
D989,739 S * 6/2023 Liu D14/207
D1,016,784 S * 3/2024 Guo D14/207

(Continued)

1 Claim, 10 Drawing Sheets



(56)

References Cited

U.S. PATENT DOCUMENTS

D1,020,685 S * 4/2024 Liu D14/207
2016/0088383 A1 * 3/2016 Yan H04R 5/0335
381/378

FOREIGN PATENT DOCUMENTS

EM 0150381200004 10/2023
EM 0150381200005 10/2023
TW 231928-0001 * 6/2024
TW 232132-0001 * 7/2024

* cited by examiner

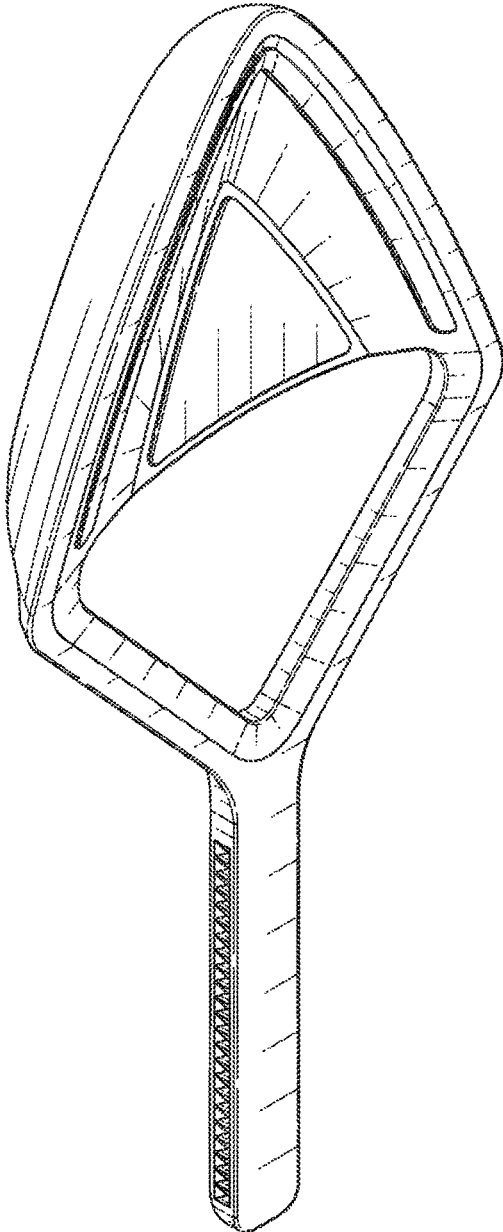


FIG. 1

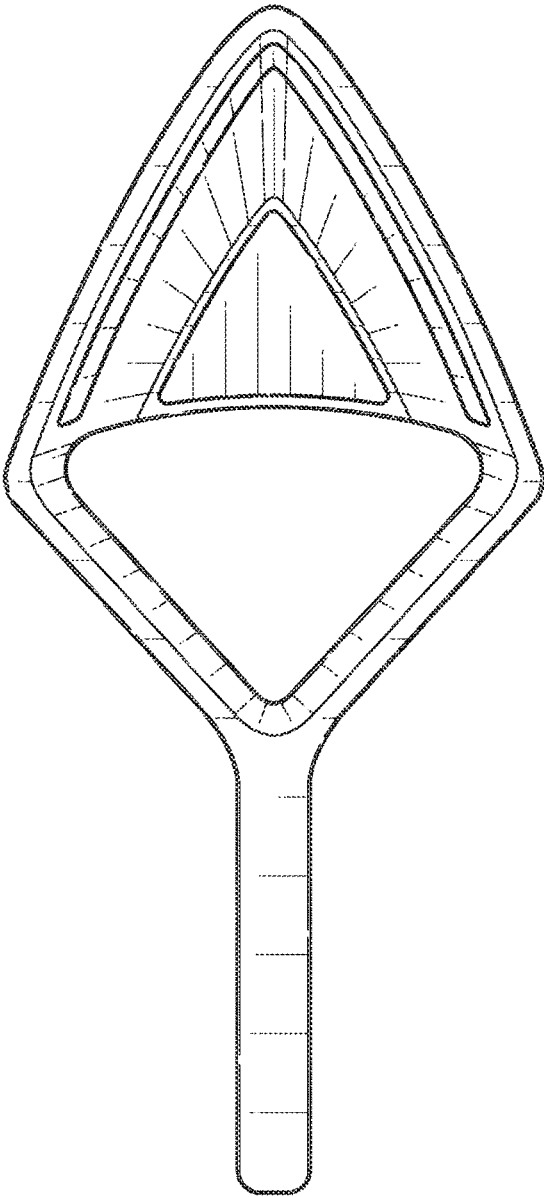


FIG. 2

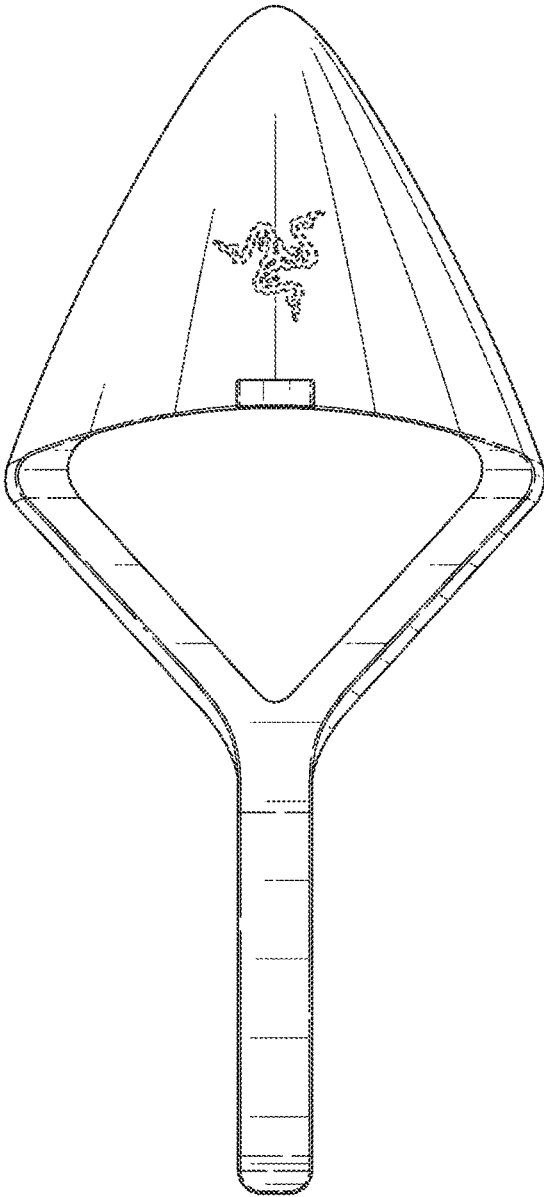


FIG. 3

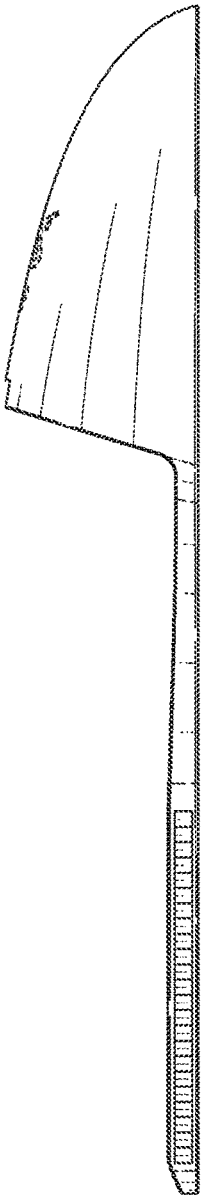


FIG. 4

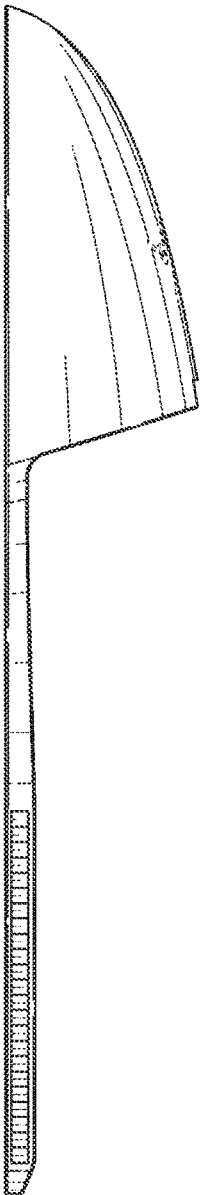


FIG. 5

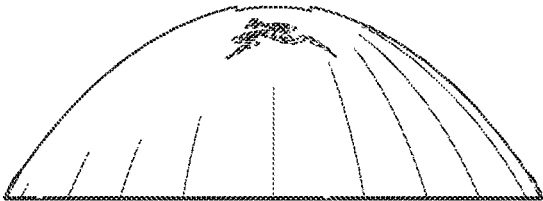


FIG. 6

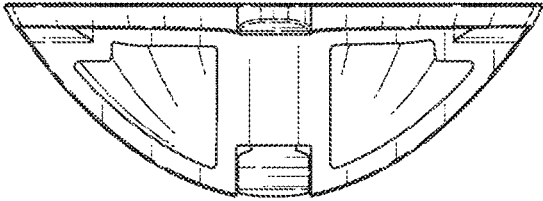


FIG. 7

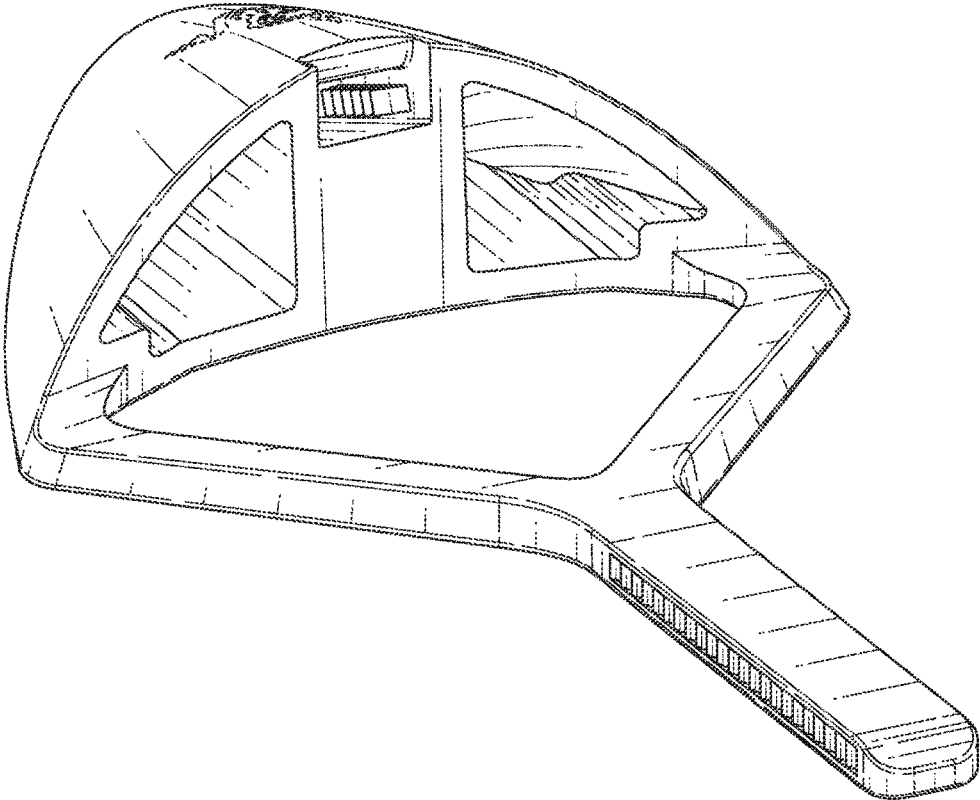


FIG. 8

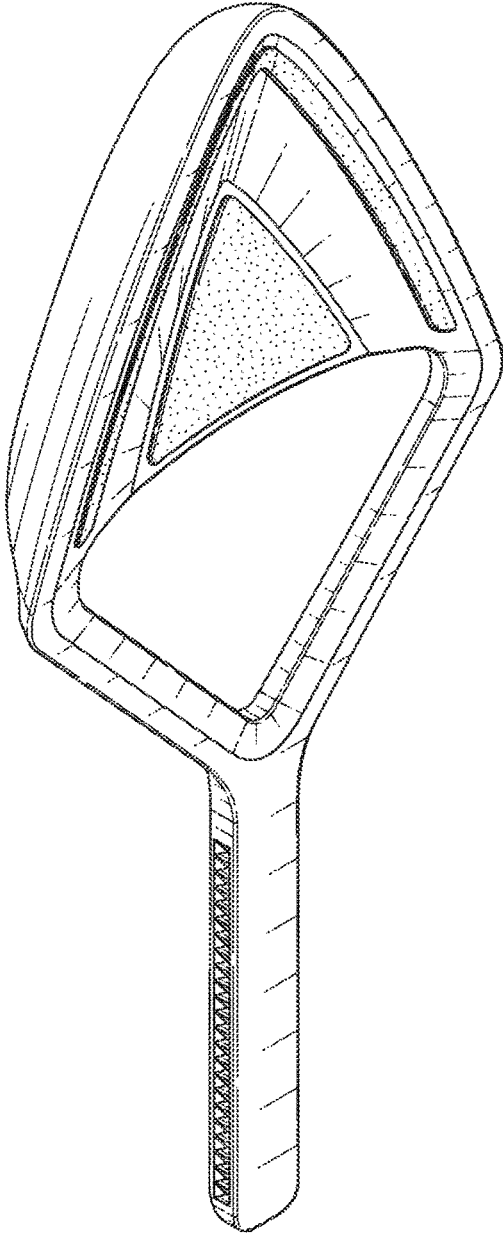


FIG. 9

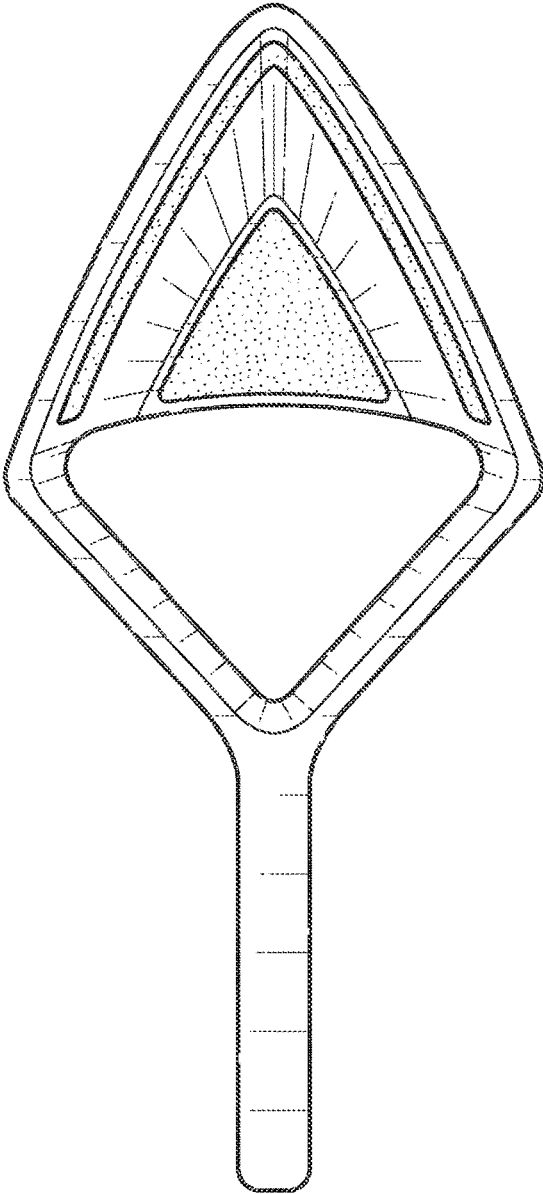


FIG. 10

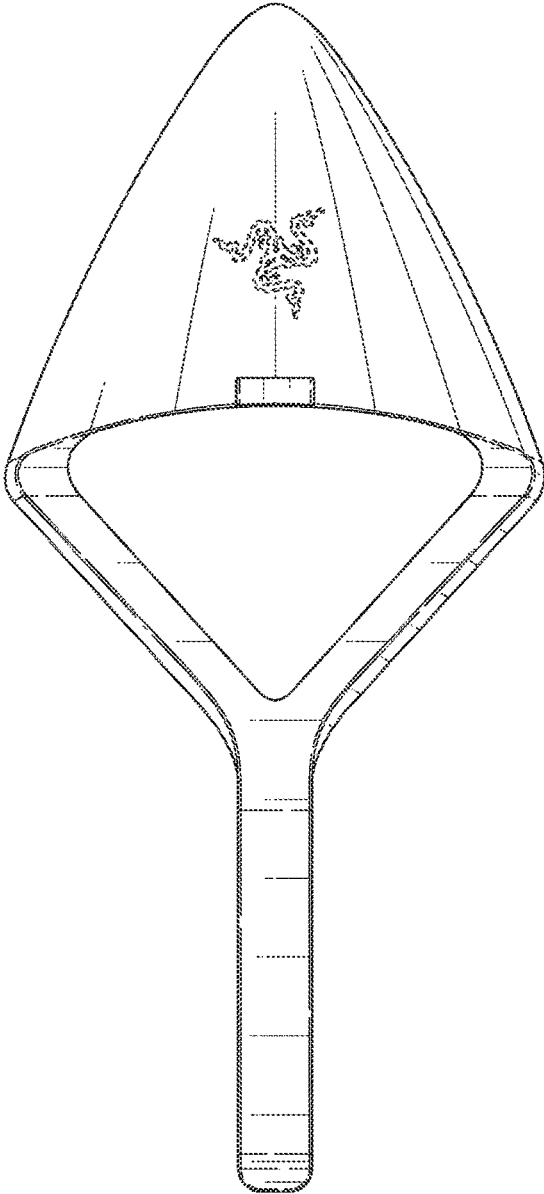


FIG. 11

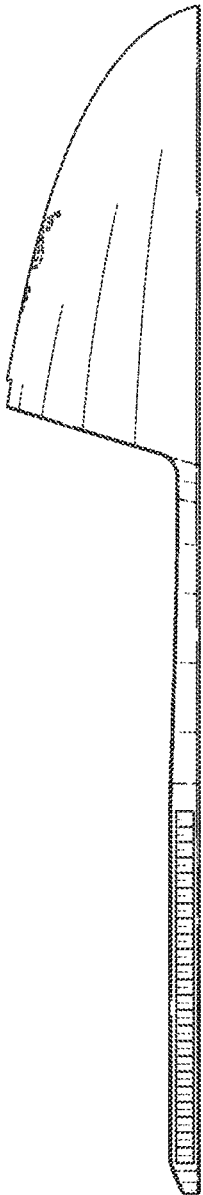


FIG. 12

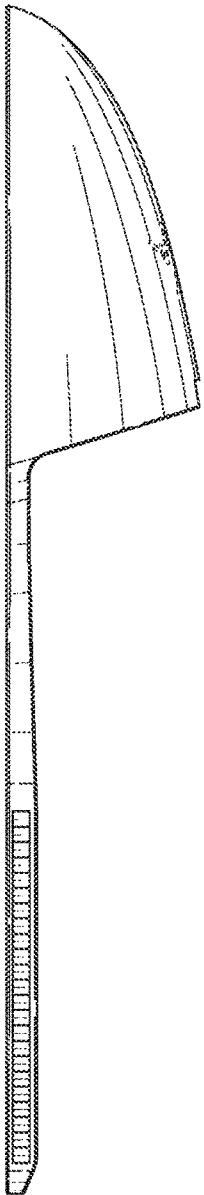


FIG. 13

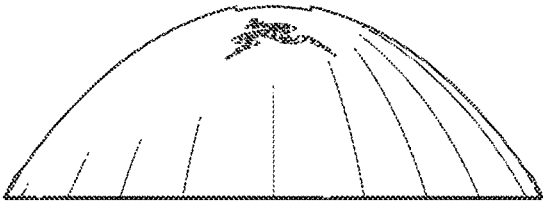


FIG. 14

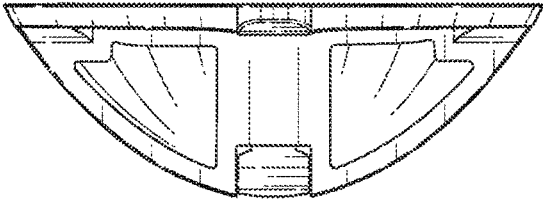


FIG. 15

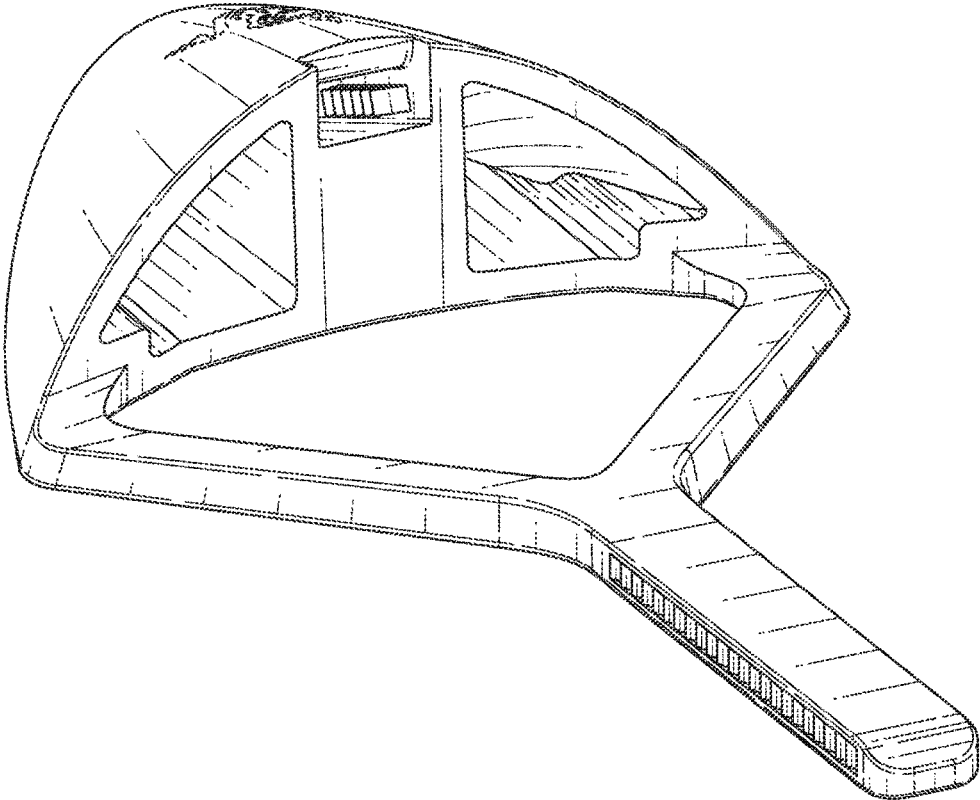


FIG. 16