



US00D997477S

(12) **United States Design Patent**
Kim et al.

(10) **Patent No.:** **US D997,477 S**
(45) **Date of Patent:** **** Aug. 29, 2023**

(54) **HANGER FOR CLOTHING CARE MACHINE**

FOREIGN PATENT DOCUMENTS

(71) Applicant: **LG ELECTRONICS INC.**, Seoul (KR)

JP D1723079 * 8/2022

(72) Inventors: **Kihyuk Kim**, Seoul (KR); **Hoil Jeon**, Seoul (KR)

OTHER PUBLICATIONS

(73) Assignee: **LG ELECTRONICS INC.**, Seoul (KR)

Amazon. ca LG Styler Steam Closet https://www.amazon.ca/LG-S3MFBN-Deodorizes-Chemical-Free-Technology/dp/B0932K1LR7/ref=sr_1_46 (Year: 2023).*

(**) Term: **15 Years**

(Continued)

(21) Appl. No.: **29/773,707**

(22) Filed: **Mar. 11, 2021**

(30) **Foreign Application Priority Data**

Oct. 14, 2020 (KR) 30-2020-0049210

(51) **LOC (14) Cl.** **15-05**

(52) **U.S. Cl.**
USPC **D32/6; D6/326**

(58) **Field of Classification Search**
USPC D6/315–328; D8/349; D32/1–6, 13, D32/25–33, 39
CPC A47G 25/28; A47G 25/487; A47G 25/485; A47G 25/473; A47G 25/66; A47G 25/36; A47G 25/48; A47G 25/50; A47G 25/225; A47G 2025/1492; D06F 58/30; D06F 58/38; D06F 34/18; D06F 34/28; D06F 39/14; D06F 33/34; D06F 34/34; D06F 39/002; D06F 39/02; D06F 37/22; D06F 37/06; D06F 34/20; D06F 2103/04; D06F 33/44; D06F 37/40; D06F 13/00; D06F 13/04; D06F 13/06; D06F 13/08; D06F 39/024; D06F 39/12

See application file for complete search history.

(56) **References Cited**

U.S. PATENT DOCUMENTS

3,028,974 A * 4/1962 Loeb A47G 25/32 211/113
D195,132 S * 4/1963 Kore, Jr. D8/355
D219,989 S * 2/1971 Grantonie D6/320

(Continued)

Primary Examiner — Kevin K Rudzinski
Assistant Examiner — Richard E Yenchesky
(74) *Attorney, Agent, or Firm* — Birch, Stewart, Kolasch & Birch, LLP

(57) **CLAIM**

We claim the ornamental design for a hanger for clothing care machine, as shown and described.

DESCRIPTION

FIG. 1 is a front perspective view of a hanger for clothing care machine showing the new design; FIG. 2 is a bottom perspective view thereof; FIG. 3 is a front view thereof; FIG. 4 is a rear view thereof; FIG. 5 is a left-side elevation view thereof; FIG. 6 is a right-side elevation view thereof; FIG. 7 is a top plan view thereof; FIG. 8 is a bottom plan view thereof; and, FIG. 9 is a perspective view showing a state of use thereof. The broken lines showing portions of a Hanger for clothing care machine and portions of a clothing care machine in FIG. 9 form no part of the claimed design.

1 Claim, 9 Drawing Sheets

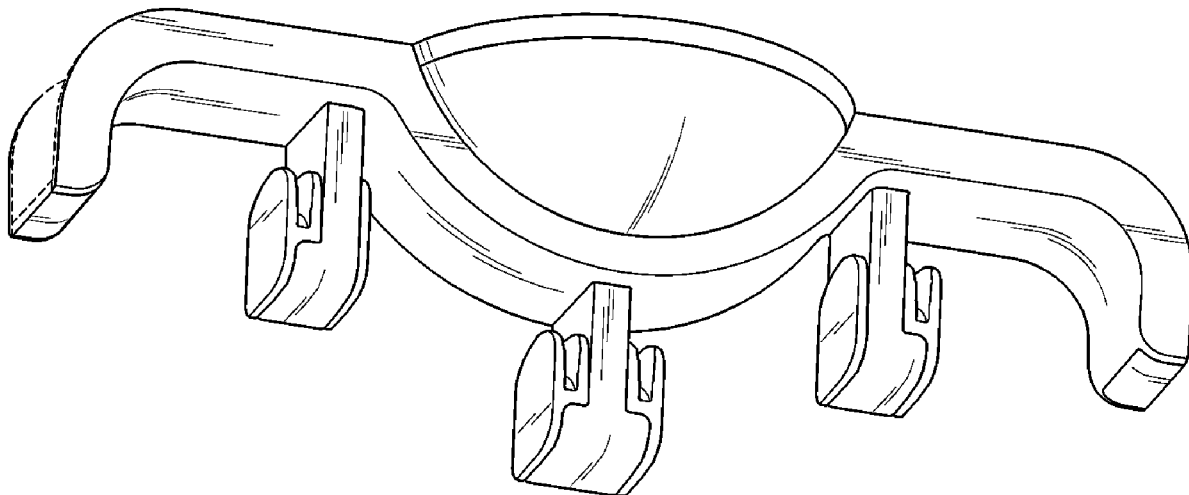


FIG. 1

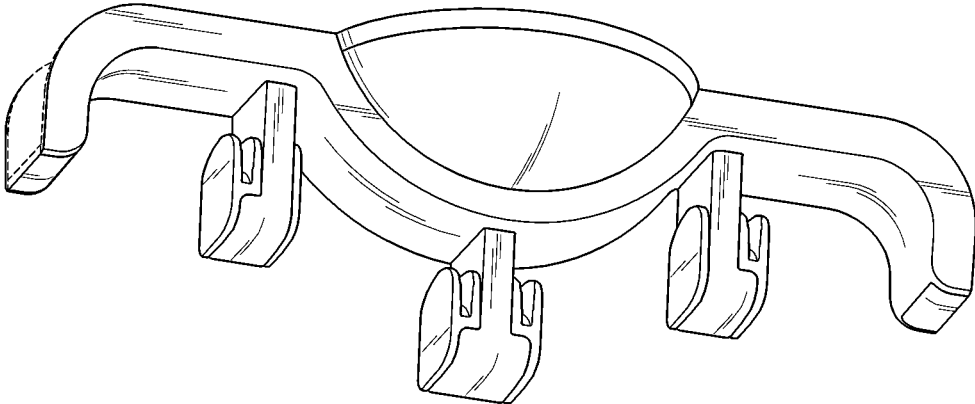


FIG. 2

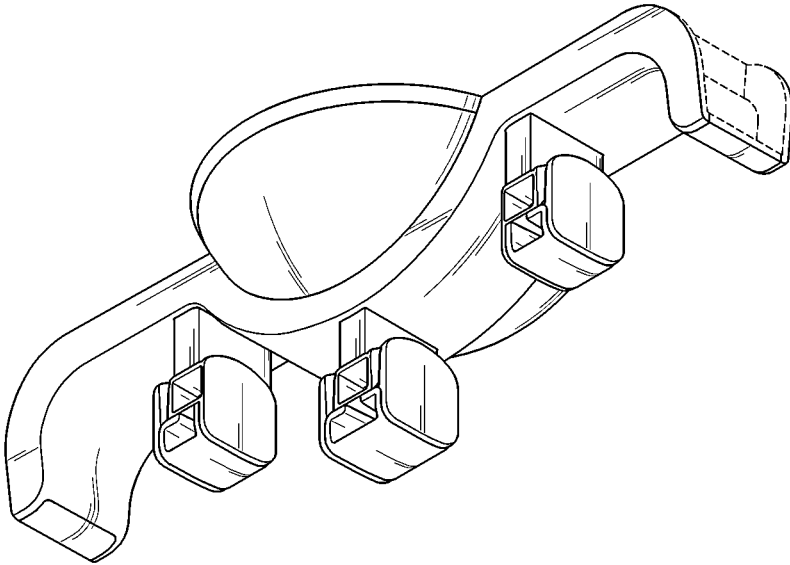


FIG. 3

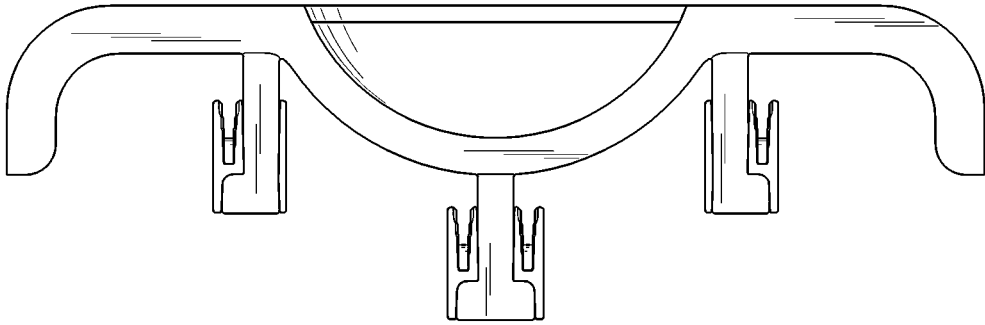


FIG. 4

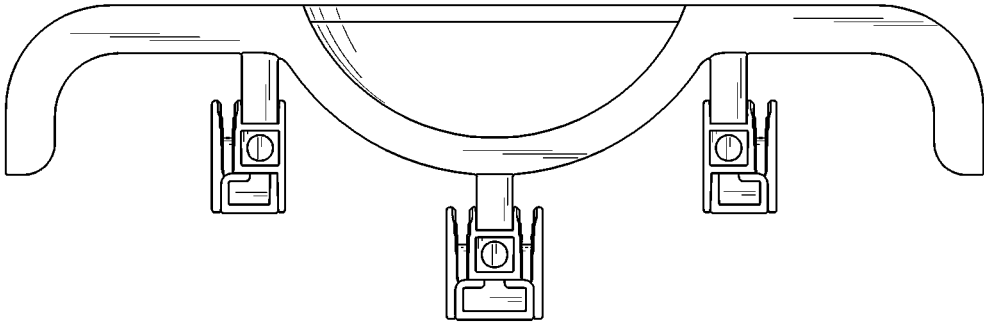


FIG. 5

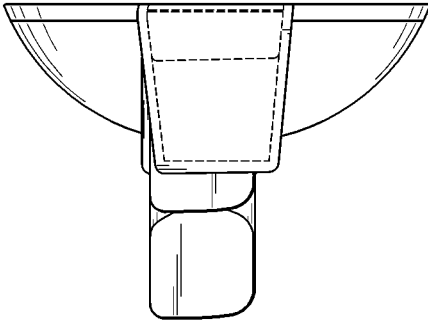


FIG. 6

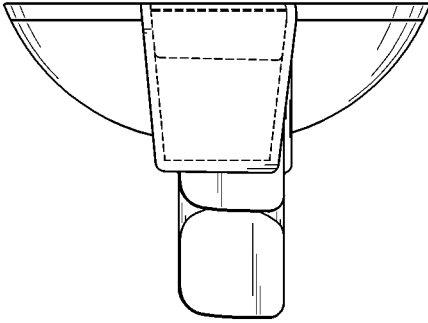


FIG. 7

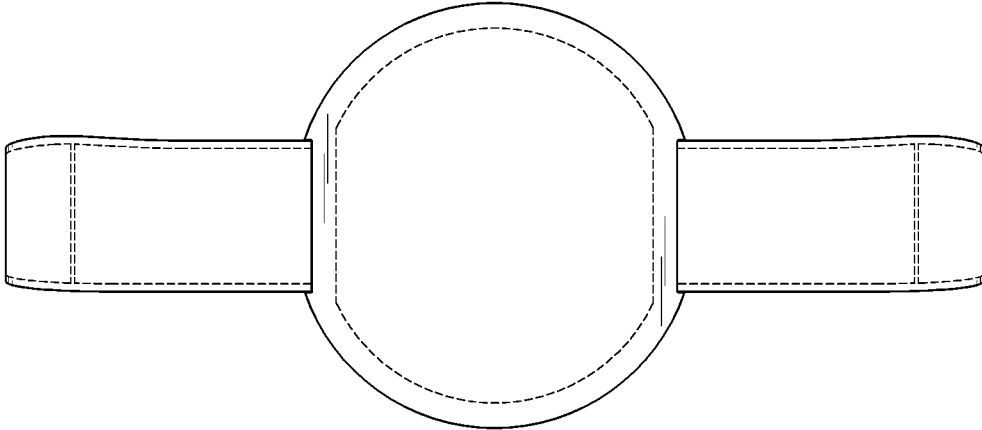


FIG. 8

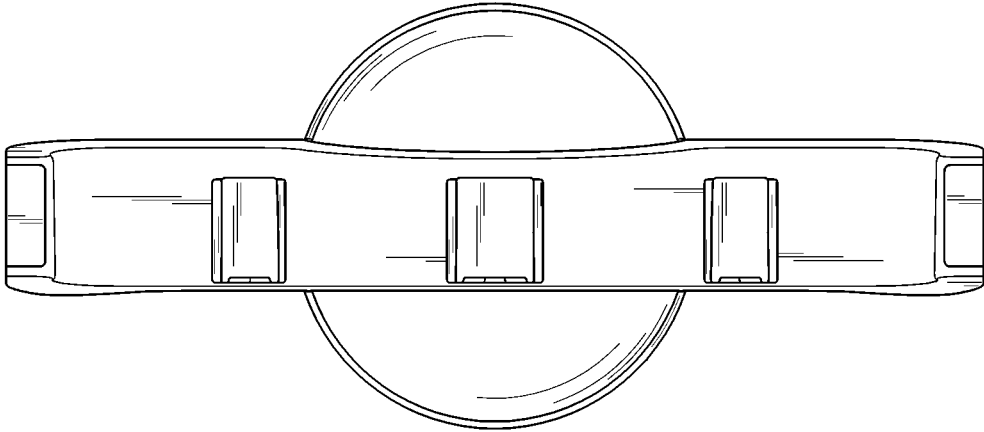


FIG. 9

