



- (51) International Patent Classification:
H02J 7/00 (2006.01) *H02J 7/02* (2016.01)
- (21) International Application Number:
PCT/US2015/025156
- (22) International Filing Date:
9 April 2015 (09.04.2015)
- (25) Filing Language: English
- (26) Publication Language: English
- (30) Priority Data:
14/278,813 15 May 2014 (15.05.2014) US
- (71) Applicant: INTEL CORPORATION [US/US]; 2200 Mission College Boulevard, Santa Clara, California 95054 (US).
- (72) Inventors: HUANG, Lilly; 2071 NW 129th Pl., Portland, Oregon 97229 (US). CHEN, Yang-Lin; Room 254, EE2 Building, No. 1, Sec. 4, Roosevelt Rd. Dean Dist., Taipei City, 106 (TW). VAIDYA, Vaibhav; 735 SW Saint Clair Ave., Apt. 1608, Portland, Oregon 97205 (US).
- (74) Agent: OREN, David C.; KED & Associates LLP, c/o CPA Global, P.O. Box 52050, Minneapolis, Minnesota 55402 (US).
- (81) Designated States (unless otherwise indicated, for every kind of national protection available): AE, AG, AL, AM,

AO, AT, AU, AZ, BA, BB, BG, BH, BN, BR, BW, BY, BZ, CA, CH, CL, CN, CO, CR, CU, CZ, DE, DK, DM, DO, DZ, EC, EE, EG, ES, FI, GB, GD, GE, GH, GM, GT, HN, HR, HU, ID, IL, IN, IR, IS, JP, KE, KG, KN, KP, KR, KZ, LA, LC, LK, LR, LS, LU, LY, MA, MD, ME, MG, MK, MN, MW, MX, MY, MZ, NA, NG, NI, NO, NZ, OM, PA, PE, PG, PH, PL, PT, QA, RO, RS, RU, RW, SA, SC, SD, SE, SG, SK, SL, SM, ST, SV, SY, TH, TJ, TM, TN, TR, TT, TZ, UA, UG, US, UZ, VC, VN, ZA, ZM, ZW.

- (84) Designated States (unless otherwise indicated, for every kind of regional protection available): ARIPO (BW, GH, GM, KE, LR, LS, MW, MZ, NA, RW, SD, SL, ST, SZ, TZ, UG, ZM, ZW), Eurasian (AM, AZ, BY, KG, KZ, RU, TJ, TM), European (AL, AT, BE, BG, CH, CY, CZ, DE, DK, EE, ES, FI, FR, GB, GR, HR, HU, IE, IS, IT, LT, LU, LV, MC, MK, MT, NL, NO, PL, PT, RO, RS, SE, SI, SK, SM, TR), OAPI (BF, BJ, CF, CG, CI, CM, GA, GN, GQ, GW, KM, ML, MR, NE, SN, TD, TG).

Declarations under Rule 4.17:

- as to applicant's entitlement to apply for and be granted a patent (Rule 4.17(ii))

Published:

- with international search report (Art. 21(3))

(54) Title: BATTERY CHARGER FOR DIFFERENT POWER SOURCES

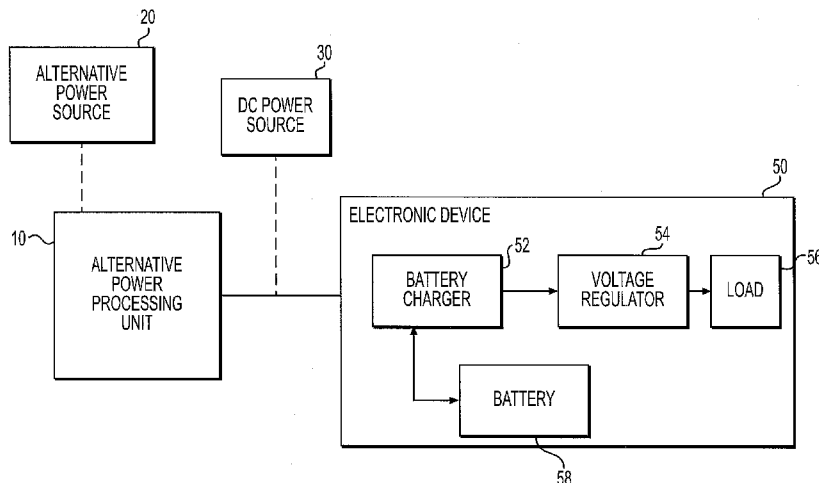


FIG. 1

(57) Abstract: A charger may determine a type of power source to couple to the charger, and to adjust power from the power source based on the determined type of the power source.

WO 2015/175120 A1

BATTERY CHARGER FOR DIFFERENT POWER SOURCES

BACKGROUND

1. Field

5 Embodiments may relate to a battery charger of an electronic device

2. Background

Power availability and battery life are factors that may impact a user's experience with an electronic device, such as a mobile terminal. The electronic device may be powered by a direct
10 current (DC) power source or alternatively an alternative power source (or alternative energy source).

BRIEF DESCRIPTION OF THE DRAWINGS

Arrangements and embodiments may be described in detail with reference to the following
15 drawings in which like reference numerals refer to like elements and wherein:

FIG. 1 is a diagram of a charging system and an electronic device according to an example arrangement;

FIG. 2 is a diagram of components to charge a battery for an electronic device according to an example embodiment;

20 FIG. 3A is a graph showing characteristics of a DC power supply;

FIG. 3B is a graph showing characteristics of an alternative power source;

FIG. 4 is a diagram of a battery charger and other components according to an example embodiment;

FIG. 5A shows different modes of power control according to an example embodiment;
25 and

FIG. 5B shows different scenarios of relative power levels between a power source and a load according to an example embodiment;

FIG. 6 shows an electronic device according to an example embodiment; and

FIG. 7 shows an electronic system according to an example embodiment.

30

DETAILED DESCRIPTION

In the following detailed description, like numerals and characters may be used to designate identical, corresponding and/or similar components in differing figure drawings. Further, in the detailed description to follow, example sizes/models/values/ ranges may be given

although embodiments are not limited to the same. Where specific details are set forth in order to describe example embodiments, it should be apparent to one skilled in the art that embodiments may be practiced without these specific details.

An electronic device (such as a mobile device) may utilize a power source (or power supply) in order to power the electronic device. The power source may be a direct current (DC) power source, an alternating current (AC) power source or an alternative power source (or alternative energy source), for example. Other types of power sources may also be provided. The following description may relate to an electronic device; however, the description may also relate to an electronic system.

An electronic device may be any one of a mobile terminal, a mobile device, a mobile computing platform, a mobile platform, a laptop computer, a tablet, an ultra-mobile personal computer, a mobile Internet device, a smartphone, a personal digital assistant, a display device, a television (TV), and/or etc.

FIG. 1 shows a charging system and an electronic device according to an example arrangement. Other arrangements may also be provided.

More specifically, FIG. 1 shows a first arrangement in which an electronic device 50 may be powered by an alternative power source 20. FIG. 1 also shows a second arrangement in which an electronic device 50 may be powered by a DC power source 30. The electronic device may be different depending on the type of power source used to power the electronic device. In other words, electrical devices may be powered by specific types of power sources.

An alternative power processing unit 10 (or function block of impedance matching and voltage regulation) may be used when the electronic device 50 is to be powered by the alternative power source 20. In the alternative, the DC power source 30 may be directly coupled to the electronic device 50 (without using the alternative power processing unit) to provide a DC voltage (or power).

FIG. 1 shows the alternative power processing unit 10 as being external to the electronic device 50. However, the alternative power processing unit 10 may be part of the electronic device 50 (i.e., internal).

The alternative power source 20 may be any one of a solar energy source, a mechanical energy source (such as via wind), a photovoltaic (PV) energy source, a thermal energy source, a radio frequency (RF) energy source, a vibration energy source, a biomechanical energy source, a fuel cell and/or any other power source.

The alternative power source 20 may provide power (or energy) to the alternative power processing unit 10. As one example, the alternative power source 20 may provide an input power

(or input energy) to a Maximum Power Point Tracking (MPPT) device. The MPPT device may be a device to dynamically tune an output impedance of the connected power source (or energy source) so that output power of the power source is optimal and/or a maximum available power (from a harvester, for example) is outputted and delivered to a load.

5 The MPPT device may provide a power (or a voltage) to a voltage regulator based at least in part on the power provided by the alternative power source 20. The voltage regulator may provide a regulator output voltage to the electronic device 50.

As shown in FIG. 1, the electronic device 50 may include a battery charger 52, a voltage regulator (VR) 54, a load 56 and a battery 58 (such as in a battery port). The electronic device 50
10 may include other components, which may or may not be part of the load 56. Additional components may include, but are not limited to, a processor, a display, a speaker (or audio output device), a wireless communication device, a camera, a memory (or storage device), a microphone, etc. Other components and/or fewer components may also be provided.

The battery charger 52 may receive an input voltage (or input power). FIG. 1 shows that
15 the battery charger 52 may receive power from either the alternative power source 10 (for the alternative power source 20) or the battery charger 52 may receive power from the DC power source 30. The battery charger 52 may also receive power from other types of power sources.

The battery charger 52 may provide an output voltage to a voltage regulator 54, for example. The voltage regulator 54 (of the electronic device 50) may provide an output voltage to
20 the load 56. The voltage regulator 54 may provide a regulated output voltage to the load 56.

The battery charger 52 may also (or alternatively) provide an output voltage to the battery 58 (provided at a battery port of the electronic device 50). The battery 58 may be charged by the voltage received from the battery charger 52.

The battery charger 52 may provide an output voltage to the load 56 (via a voltage
25 regulator 54) and/or the battery 58.

FIG. 1 shows use of an alternative power source (or alternative energy source). However, the received power and output voltage from the alternative power source 20 may not be stable.

FIG. 1 shows that different power sources may be used to power different types of electronic devices. However, an electronic device may not be compatible with an arbitrary power source, requiring instead an output voltage that is regulated within a certain percentage of a
30 nominal value. Additionally, the power level of a power or energy source (or power supply) may have to be large enough to charge the battery as well as supply the load. However, certain requirements of the power source (or power supply) may make alternative power sources incompatible with different types of electronic devices.

For example, in at least one arrangement, a hybrid power delivery system may be provided to enable an electronic device (such as a mobile platform) to be powered with either a DC power supply or an alternative power source. In at least one arrangement, a plurality of battery chargers may be provided on a platform with a plurality of power source inputs.

5 Embodiments may provide a control mechanism (or control scheme) on power conversion distribution. Embodiments may provide a single power conversion. Embodiments may provide performance requirements of both the device/system (workload, charging) and the power source (power conditioning).

10 FIG. 2 is diagram of components to charge a battery for an electronic device according to an example embodiment. Other embodiments and configurations may also be provided.

FIG. 2 shows a power source 22 (or power supply), a battery charger 60, the load 56 (device or system) and the battery 58 (such as in a battery port). The power source 22 (FIG. 2) may represent any of a number of different power sources such as a direct current (DC) power source and/or an alternative power source, for example.

15 The battery charger 60 may perform various functions as will be described below relating to any of a number of different power sources. The battery charger 60 may be for use with any of a number of different power sources.

The load 56 may be an electronic device load (or an electronic system load). The load 56 and the battery 58 may correspond to the load and the battery shown in FIG. 1.

20 In at least one embodiment, the battery charger 60, the load 56 and the battery 58 may all be considered as part of an electronic device (or electronic system). The battery charger 60 may also be separate from (or external to) the electronic device (or electronic system).

25 Embodiments may provide only a single power conversion stage with a feedback control or multiple feedback controls. Control logic (or a control algorithm) may dynamically adapt to power characteristics of the power source and a demand of the load. Power distribution and partition may be self-configured and optimized even with different types of power sources (such as the DC power source or the alternative power source).

Embodiments may increase power conversion efficiency by using a single power stage rather than a plurality of power stages.

30 Embodiments may provide a single power stage (in hardware) by combining two distinct functions, namely power processing and voltage regulation. This may be better than arrangements having cascaded power conversions.

Embodiments may provide one of a plurality of operational modes (or states) based on different scenarios of power demands, battery charging status and/or different source. Electronic

device/system operation parameters may be determined (with software/firmware) based on an application during run time.

Embodiments may provide critical performance requirements from the power source (e.g. impedance tuning), the battery (e.g. charging profile) and/or device/system load during operation with an adaptive control algorithm (and/or with logic, at least a portion of which is hardware).

Embodiments may power a load (system or device) and/or charge the battery regardless of a type of a power source connected to the electronic device, and thereby only depend on the power output of the power source. The control mechanism (or control algorithm) may dynamically adapt to a type of power source, such as a fixed DC voltage supply or a non-linear current-voltage (I-V) curve of the alternative energy source (such as a photovoltaic voltage (PV) harvested energy). An output voltage may be controlled or regulated at the device/system load or the battery, for example. Therefore, both power processing and battery charging may be performed by the battery charger 60 (shown in FIG. 2). As such, the battery charger 60 may be referred to as a general purpose battery charger and/or a universal battery charger.

Embodiments may provide a control mechanism (or control algorithm) that may adjust a single stage of power conversion such that the input power from the power source to the device or system may be optimized, while also satisfying device/system performance criteria on power/voltage/current.

FIG. 2 shows that an input of the battery charger 60 may be a power source with a fixed DC output voltage (such as from a DC power source) or a non-linear (or linear) current-voltage (I-V) profile (such as from an alternative power source). The power source may supply a limited energy (e.g. $P_{\text{supply}} < P_{\text{demand}}$) or have an excess power capacity.

FIG. 3A shows characteristics of a DC power supply. For example, FIG. 3A shows a graph of an output voltage (V) versus an output current (A)/power (W) for a DC power source. As can be seen, the DC power source may be a fixed DC voltage. FIG. 3A shows the constant supply voltage of the DC power supply.

FIG. 3B shows characteristics of an alternative power source (or supply). For example, the left-hand graph of FIG. 3B shows an output voltage (V) versus an output current (A) and the right-hand graph of FIG. 3B shows an output voltage (V) versus an output power (W). While FIG. 3A shows a constant voltage supply for a DC power source, FIG. 3B shows a varying output voltage for an alternative power source.

FIG. 3B shows that an output current of an alternative power source may vary with its output voltage. This is in contrast to FIG. 3A that shows characteristics of a DC power source that may supply current at any given supply voltage. FIG. 3B further shows that the alternative

power supply may supply a maximum power (P_{max}) at a particular voltage and current, which may be defined as its maximum power point (MPP) depending on the input (light, mechanical motion, radio frequency (RF) energy and others), and that the power supplied by the alternative power source may drop significantly if the alternative power source is operated at a voltage or current different from its maximum power point MPP.

In previous arrangements in which the device/system is connected to a DC power source (or an AC grid through an AC/DC adaptor), then the electronic device (or system) may be sufficiently powered to supply the load and charge the battery at a same time.

However in arrangements in which the device/system is connected to the alternative power source, there may be a varying upper-bound in energy or power capacity of the alternative power source. For example, the graph in FIG. 3B shows that a PV power may be always less than or equal to a maximum power value (such as for solar power). FIG. 3B shows maximum powers as P_{MPP1} , P_{MPP2} , P_{MPP3} and P_{MPP4} . The power output from the power source may vary from zero to P_{MPP} (or P_{max}) based on the operating voltage, the load current and etc. Additionally, the non-linearity of current-voltage I-V of the alternative power source may require a different design than of the DC power source.

Embodiments may power an electronic device (such as mobile platforms) using a DC power supply and/or a variable power source.

FIG. 4 is a diagram of a battery charger and other components according to an example embodiment. Other embodiments and configurations may also be provided.

FIG. 4 shows that a power source 22 (such as a variable power source) may connect to an electronic device (or electronic system) with the load 56 and the battery 58, leveraging components such as a power converter 106, a pulse width modulation (PWM) device 108 (or pulse width generator) and a second compensator 104. Embodiments may provide a feedback control that is embedded and combined with the power converter 106 and the pulse width modulation device 108. Embodiments may include a first compensator 102 (or perturb & observe compensator) and a second compensator 104 (or PID compensator). These features may perform a closed loop control of stability and regulation, and also drive circuit performance such that the available power to the load is optimized (e.g. MPPT).

The battery charger 60 may be provided within an electronic device, such as the electronic device 50 (of FIG. 1). Alternatively, the battery charger 60 may be provided external to an electronic device, such as the electronic device 50 (of FIG. 1).

In a similar manner as shown in FIG. 2, the power source 22 may provide power to the battery charger 60. The battery charger 60 may then operate and provide power to the load 56.

and/or the battery 58. The power source 22 (FIG. 2) may represent any of a number of different power sources such as a direct current (DC) power source and/or an alternative power source, for example. The power converter 106 may provide first power to the load 56. The power converter 106 may provide second power to the battery 58. The first power may be similar to the second power. Alternatively, the first power may be different than the second power.

As shown in FIG. 4, the battery charger 60 may include the first compensator 102, the second compensator 104, the power converter 106, and the pulse width modulation (PWM) device 108.

The first compensator 102 may be called a perturb and observe compensator (or P&O compensator). The second compensator 104 may be a current feedback control compensator. The first compensator 102 may be a circuit or hardware entity, for example. The second compensator 104 may be a circuit or hardware entity, for example. Features of the first compensator 102 and/or the second compensator 104 may each be an algorithm (or software entity) that may run on a microprocessor, a digital signal processor (DSP), a microcontroller or a computer. Features of the first compensator 102 and/or the second compensator 104 may include logic, at least a portion of which is hardware.

The battery charger 60 may provide an adjustable current reference parameter, I_{ref} . The adjustable current reference parameter I_{ref} may be generated from the first compensator 102. The adjustable current reference parameter I_{ref} may be dynamically adjusted, in real time, based on run-time values of the input power as well as battery capacity.

An add-on element 105 may be a circuit element to connect features, such as the first compensator 102 and the second compensator 104 to a battery charger. The battery charger may attempt to regulate charging current to a given reference, which may depend on how much the battery may be charged, for example. The add-on element 105 may enable minimal modifications to a battery charger to achieve alternative power compatibility.

As shown, the power converter 106 may receive, from the device 103, an input voltage V_{IN} (or input voltage value) and an input current I_{IN} (or input current value). The input voltage V_{IN} and the input current I_{IN} may be actual real-time measured input voltage and current of the power converter 106. The power converter 106 may receive pulse width modulation from the pulse width modulation device 108 and thereby provide the output current $I_{battery}$ and the output voltage V_{out} . Output power may then be provided to the load 56 and/or the battery 58. A similar power may be provided to the load 56 and the battery 58. Alternatively, a different power may be provided to the load 56 and the battery 58.

The power converter 106 may include a DC/DC power stage with power sense elements. For example, the power converter 106 may include a power converter with voltage step-down, voltage step-up and/or Buck-Boost functionality, since there may be a wide range of voltage input from the power source.

5 The first compensator 102 may receive, such as feedback, the output voltage V_{out} and the output current $I_{battery}$ from the power converter 106. The first compensator 102 may adapt an operational mode of the battery charger 60 based on the output voltage V_{out} and the output current $I_{current}$. The first compensator 102 may change the mode of the battery charger 60.

10 The PWM device 108 may provide a pulse-width modulated signal to the power converter 106. The pulse-width modulated signal may be used by the power converter 106 to adjust the output current $I_{battery}$ and the output voltage V_{out} . The pulse width modulated signal (or signals) may drive the switches of a switching converter, for example, to achieve the output voltage V_{out} and the output current $I_{battery}$ in the output of the power converter 106.

15 The first compensator 102 may receive the output current $I_{battery}$ and the output voltage V_{out} from the power converter 106. The power P_{IN} and the current I_{IN} that flows into the power converter 106 may be equal to (or same as) the power and the current of the input source (i.e., the alternative power source or the DC power source). The first compensator 102 may monitor these values to ascertain a corresponding or proper operation under the alternative power or energy source. The first compensator 102 may track the maximum power point MPP of the power source. The battery 58 may be charged based on the output current $I_{battery}$, which is current controlled so as to meet several criteria at a same time. Embodiments may satisfy the charging profile of a specific battery or a specific battery type while taking advantage of alternative power source or harvested energy source.

25 Embodiments may control a parameter or characteristic of the output power based on a type of power source coupled to the battery charger 60. For example, the first compensator 102 may output the current reference, I_{ref} , which may be continuously adjusted based on an amount of input power from the power source 22. This may achieve functionality of impedance matching (or maximum power point tracking) when the input of an alternative power source is provided (as the power source 22) or may be implemented through a stage of power conversion that exists in the battery charger 60. Accordingly, the plurality of power conversions may be provided at a single stage.

30 Embodiments may control and manage the device/system power distribution, voltage regulation and/or battery operation so as to avoid (or reduce) issues relating to power mismatch.

FIG. 5A shows different modes of power control according to an example embodiment. Other embodiments and configurations may also be provided.

FIG. 5A is a graph showing voltage versus time (at a lower part of the figure) and a graph showing current versus time (at a higher part of the figure). The time axis (i.e., the y-axis) shows a precharge time period, a constant current (CC) time period and a constant voltage (CV) time period. These are respective time periods of the battery charger.

FIG. 5A show three distinct operation states (or modes) of the battery charger to cover different possible power scenarios of the electronic device. FIG. 5A shows a maximum power point tracking (MPPT) operational state, a maximum constant current tracking (MCCT) operational state and a voltage regulator (VR) operational state. The operational states may also be called modes.

The battery charger 60 may be provided in the MPPT (or maximum power point tracking) mode to obtain a maximum power from the input power source.

The battery charger 60 may be provided in the MCCT (or maximum constant current tracking) mode to perform the maximum charge current tracking when a capacity of the battery 58 is past the stage of a pre-charge but is not yet or is not yet close to a full charge (e.g. less than 90% of full capacity).

The battery charger 60 may be provided in the voltage regulation (VR) mode to handle situations in which a lower-bound voltage has to be maintained for the electronic device (i.e., a trickle charging of the battery), when the total available power from an input source could be smaller or larger than the load demand and/or the charging current. In this example, the power balance between a source and a load may be monitored, evaluated and adjusted in order to advance performance and maintain system stability and controllability.

FIG. 5B shows different scenarios of relative power levels between a power supply (or power source) and a load according to an example embodiment. Other embodiments and configurations may also be provided. For example, the different scenarios relate to power levels of the power source and the load.

In each of FIGs. 5B, the graphs show power delivery and supply versus time. In the top graph, a P_{MPP} is greater than the highest power demand from the load $P_{load, max}$. In the middle graph, $P_{load, max}$ is greater than P_{MPP} , which is greater than the minimum power drawn by the load over time, $P_{load, min}$. In the bottom graph, P_{mpp} is less than $P_{load, min}$. The conditions shown in FIG. 5B show possibilities of input and output power that the control logic (or circuits) may adapt to, while still maintaining optimal power transfer and battery charging while keeping the load supplied with a proper voltage.

The following may relate to an algorithm that may be performed based on the battery charger 60.

$$B = (I_{in_k+1} < I_{in_k})$$

$$\text{XOR}(P_{in_k+1} > P_{in_k})$$

$$\text{XOR}((I_{battery_k+1} > I_{max}))$$

$$\text{OR}(V_{out_k+1} > V_{max})$$

if $B = 1$, $I_{ref_k+1} = I_{ref_k} + \Delta I$, increase current, a control variable;

10 if $B = 0$, $I_{ref_k+1} = I_{ref_k} - \Delta I$, Decrease current, a control variable.

As in the above-described equation, B may represent a Boolean value. In this equation; k , $k+I$ may indicate sequential values; I_{in} may represent the current of the input power source; P_{in} may represent the power of the input power source; V_{out} may represent the voltage output of the battery charger; and $I_{battery}$ may represent the charging (+) or discharging (-) current from the battery.

Both the maximum charging current, I_{max} , and the maximum voltage, V_{max} , may be adjusted during operation of the battery charger based on battery status (and energy capacity).

In the above described equation, ΔI may represent the current step, which may be a fixed value or a variable.

As an example, when the electronic device shows a decrease in the input current ($I_{in_k+1} < I_{in_k}$) and an increase in the input power ($P_{in_k+1} > P_{in_k}$) while maintaining the condition of charging current and voltage at the battery below its limits, ($I_{Battery} < I_{max}$), ($V_{out} < V_{max}$), then the battery charger (or control logic) may decrease the value of I_{ref} ($B = 0$). In another example, when the electronic device (or system) is not drawing current and its battery is charged almost fully, while the input alternative power source is capable of providing excess power, then the control logic (or circuits) may change the value of I_{ref} to a trickle-charge current of the battery. Thus, the battery may operate under the specified pre-charge mode under a controlled and relevant low input current.

FIG. 6 shows an electronic device according to an example embodiment. Other embodiments and configurations may also be provided.

More specifically, FIG. 6 shows an electronic device 200 that may include any of the features, elements or operations discussed above. The electronic device 200 shown in FIG. 6

may correspond, in whole or in part, to the electronic device 50 shown in FIG. 1 and/or features of the other figures. More or less components may also be provided.

FIG. 6 shows that the electronic device 200 may include a battery 210, a processor 220, a display 230, a speaker 240, a wireless communication device 250, a camera 260, a flash device 270, a memory 280, a microphone 290 and a battery charger 295.

The processor 220 may perform operations discussed above by using instructions received, such as via a computer-readable medium.

FIG. 6 shows the battery charger 295 inside the electronic device 200. However, the battery charger 295 may also be provided outside the electronic device 200. The battery charger 295 may perform operations discussed above (with regard to the above described battery charger).

FIG. 7 shows an electronic system according to an example embodiment. Other embodiments and configurations may also be provided.

More specifically, FIG. 7 shows a system 300 that includes a processor 305, a power supply 310 and a memory 320, which may be a random access memory, for example. The processor 305 may include an arithmetic logic unit 312 and an internal cache 304, for example. The processor 305 may perform operations discussed above by using the instructions received, such as via a computer-readable medium.

The system 300 may also include a graphical interface 330, a chipset 340, a cache 350, a network interface 360 and a wireless communication unit 370, which may be incorporated within the network interface. Alternatively or additionally the communications unit 380 may be coupled to the processor 305, and a direct connection may exist between the memory 320 and the processor 305.

The processor 305 may be a central processing unit, a microprocessor or any other type of processing or computing circuit and may be included on a chip die with all or any combination of the remaining features, or one or more of the remaining features may be electrically coupled to the microprocessor die through known connections and interfaces. Also, the connections that are shown are merely illustrative as other connections between or among the elements depicted may exist depending, for example, on chip platform, functionality, or application requirements.

In at least one embodiment, a computer-readable medium (or machine-readable medium) may store a program for controlling circuitry or logic of a battery charger. The program may be stored in a system memory, which for example, may be internal or external to the electronic device. In at least one embodiment, the program may be part of a control algorithm for controlling operations of the battery charger.

Instructions or code executed by a processor, for example, may be provided to a memory from a machine-readable medium, or an external storage device accessible via a remote connection (e.g. over a network via an antenna and/or network interface) providing access to one or more electronically-accessible media, etc. A machine-readable medium may include any mechanism that provides (i.e., stores and/or transmits) information in a form readable by a machine (e.g., a computer). For example, a machine-readable medium may include random access memory (RAM), read only memory (ROM), magnetic or optical storage medium, flash memory devices, electrical, optical, acoustical or other form of propagated signals (e.g., carrier waves, infrared signals, digital signals), etc. In alternative embodiments, hard-wired circuitry may be used in place of or in combination with the instructions or code, and thus the embodiments are not limited to any specific combination of hardware circuitry and software instructions.

The program may include code or instructions to perform any of the operations or functions performed in embodiments previously discussed above.

Example 1 is an electronic apparatus comprising a charger to determine a type of power source to couple to the charger, and to adjust power from the power source based on the determined type of the power source.

In Example 2, the subject matter of Example 1 can optionally include that the charger to change an impedance of the power based on the determined type of power source.

In Example 3, the subject matter of Example 1 can optionally include that the charger to perform power processing of the power based on the determined type of power source.

In Example 4, the subject matter of Example 1 can optionally include that the charger to determine a specific mode of the charger.

In Example 5, the subject matter of Example 1 and Example 4 can optionally include that the specific mode is one of a maximum power point tracking (MPPT) mode, a maximum constant current tracking (MCCT) mode and a voltage regulator mode.

In Example 6, the subject matter of Example 1 and Example 4 can optionally include that the charger to determine the specific mode of the charger based on power demand.

In Example 7, the subject matter of Example 1 and Example 4 can optionally include that the charger to determine the specific mode of the charger based on a status of battery charging.

In Example 8, the subject matter of Example 1 can optionally include that the type of power source is a direct current (DC) power source or an alternative power source.

In Example 9, the subject matter of Example 1 and Example 8 can optionally include that the alternative power source is one of a solar power source, a mechanical power source, a

photovoltaic power source, a thermal power source, a radio frequency power source, a vibration power source, biomechanical power source or a fuel cell.

5 Example 10 is an electronic apparatus comprising: logic, at least a portion of which is hardware, to determine a type of power source, and to adjust power from the power source based on the determined type of the power source.

In Example 11, the subject matter of Example 10 can optionally include that the logic to change an impedance of the power based on the determined type of power source.

In Example 12, the subject matter of Example 10 can optionally include that the logic to perform power processing of the power based on the determined type of power source.

10 In Example 13, the subject matter of Example 10 can optionally include that the logic to determine a specific mode.

In Example 14, the subject matter of Example 10 and Example 13 can optionally include that the specific mode is one of a maximum power point tracking (MPPT) mode, a maximum constant current tracking (MCCT) mode and a voltage regulator mode.

15 In Example 15, the subject matter of Example 10 and Example 13 can optionally include that the logic to determine the specific mode based on power demand.

In Example 16, the subject matter of Example 10 and Example 13 can optionally include that the logic to determine the specific mode based on a status of battery charging.

20 In Example 17, the subject matter of Example 10 can optionally include that the type of power source is a direct current (DC) power source or an alternative power source.

In Example 18, the subject matter of Example 10 and Example 17 can optionally include that the alternative power source is one of a solar power source, a mechanical power source, a photovoltaic power source, a thermal power source, a radio frequency power source, a vibration power source, biomechanical power source or a fuel cell.

25 Example 19 is an electronic system comprising a load, a processor to perform an operation on the load, a battery port to receive a battery, and a charger to determine a type of power source, and to adjust power from the power source based on the determined type of the power source.

In Example 20, the subject matter of Example 19 can optionally include that the charger to provide power to the load.

30 In Example 21, the subject matter of Example 19 can optionally include that the charger to provide power to the battery.

In Example 22, the subject matter of Example 19 can optionally include that the charger to change an impedance of the power based on the determined type of power source.

In Example 23, the subject matter of Example 19 can optionally include that the charger to perform power processing of the power based on the determined type of power source.

In Example 24, the subject matter of Example 19 can optionally include that the charger to determine a specific mode of the charger.

5 In Example 25, the subject matter of Example 19 and Example 24 can optionally include that the specific mode is one of a maximum power point tracking (MPPT) mode, a maximum constant current tracking (MCCT) mode and a voltage regulator mode.

In Example 26, the subject matter of Example 19 and Example 24 can optionally include that the charger to determine the specific mode of the charger based on power demand.

10 In Example 27, the subject matter of Example 19 and Example 24 can optionally include that the charger to determine the specific mode of the charger based on a status of battery charging.

In Example 28, the subject matter of Example 19 can optionally include that the type of power source is a direct current (DC) power source or an alternative power source.

15 In Example 29, the subject matter of Example 19 and Example 28 can optionally include that the alternative power source is one of a solar power source, a mechanical power source, a photovoltaic power source, a thermal power source, a radio frequency power source, a vibration power source, biomechanical power source or a fuel cell.

20 Example 30 is an electronic apparatus comprising: first means for determining a type of power source to couple to the electronic apparatus, and second means for adjusting power from the power source based on the determined type of the power source.

In Example 31, the subject matter of Example 30 can optionally include that the second means to change an impedance of the power based on the determined type of power source.

25 In Example 32, the subject matter of Example 30 can optionally include that the second means to perform power processing of the power based on the determined type of power source.

In Example 33, the subject matter of Example 30 can optionally include that the second means to determine a specific mode.

30 In Example 34, the subject matter of Example 30 and Example 33 can optionally include that the specific mode is one of a maximum power point tracking (MPPT) mode, a maximum constant current tracking (MCCT) mode and a voltage regulator mode.

In Example 35, the subject matter of Example 30 and Example 33 can optionally include that the second means to determine the specific mode based on power demand.

In Example 36, the subject matter of Example 30 and Example 33 can optionally include that the second means to determine the specific mode based on a status of battery charging.

In Example 37, the subject matter of Example 30 can optionally include that the type of power source is a direct current (DC) power source or an alternative power source.

In Example 38, the subject matter of Example 30 and Example 37 can optionally include that the alternative power source is one of a solar power source, a mechanical power source, a photovoltaic power source, a thermal power source, a radio frequency power source, a vibration power source, biomechanical power source or a fuel cell.

Example 39 is a machine-readable medium comprising one or more instructions that when executed cause a device to perform one or more operations to: determine a type of power source, and adjust power from the power source based on the determined type of the power source.

In Example 40, the subject matter of Example 39 can optionally include that the one or more instructions to adjust power by changing an impedance of the power based on the determined type of power source.

In Example 41, the subject matter of Example 39 can optionally include that the one or more instructions to adjust power by performing power processing of the power based on the determined type of power source.

In Example 42, the subject matter of Example 39 can optionally include one or more instructions that when executed to determine a specific mode.

In Example 43, the subject matter of Example 39 and Example 42 can optionally include that the specific mode is one of a maximum power point tracking (MPPT) mode, a maximum constant current tracking (MCCT) mode and a voltage regulator mode.

In Example 44, the subject matter of Example 39 and Example 42 can optionally include that the one or more instructions to determine the specific mode based on power demand.

In Example 45, the subject matter of Example 39 and Example 42 can optionally include that the one or more instructions to determine the specific mode based on a status of battery charging.

In Example 46, the subject matter of Example 39 can optionally include that the type of power source is a direct current (DC) power source or an alternative power source.

In Example 47, the subject matter of Example 39 and Example 46 can optionally include that the alternative power source is one of a solar power source, a mechanical power source, a photovoltaic power source, a thermal power source, a radio frequency power source, a vibration power source, biomechanical power source or a fuel cell.

Example 48 is a method of an electronic apparatus comprising determining a type of power source to couple to the electronic apparatus; and adjusting power from the power source based on the determined type of the power source.

In Example 49, the subject matter of Example 48 can optionally include that adjusting the power includes changing an impedance of the power based on the determined type of power source.

5 In Example 50, the subject matter of Example 48 can optionally include that adjusting the power includes performing power processing of the power based on the determined type of power source.

In Example 51, the subject matter of Example 48 can optionally include determining a specific mode of a charger.

10 In Example 52, the subject matter of Example 48 and Example 51 can optionally include that the specific mode is one of a maximum power point tracking (MPPT) mode, a maximum constant current tracking (MCCT) mode and a voltage regulator mode.

In Example 53, the subject matter of Example 48 and Example 51 can optionally include that determining the specific mode includes determining the specific mode based on power demand.

15 In Example 54, the subject matter of Example 48 and Example 51 can optionally include that determining the specific mode includes determining the specific mode based on a status of battery charging.

In Example 55, the subject matter of Example 48 can optionally include that the type of power source is a direct current (DC) power source or an alternative power source.

20 In Example 56, the subject matter of Example 48 and Example 55 can optionally include that the alternative power source is one of a solar power source, a mechanical power source, a photovoltaic power source, a thermal power source, a radio frequency power source, a vibration power source, biomechanical power source or a fuel cell.

Any reference in this specification to “one embodiment,” “an embodiment,” “example embodiment,” etc., means that a particular feature, structure, or characteristic described in connection with the embodiment is included in at least one embodiment. The appearances of such phrases in various places in the specification are not necessarily all referring to the same embodiment. Further, when a particular feature, structure, or characteristic is described in connection with any embodiment, it is submitted that it is within the purview of one skilled in
25
30 the art to affect such feature, structure, or characteristic in connection with other ones of the embodiments.

Although embodiments have been described with reference to a number of illustrative embodiments thereof, it should be understood that numerous other modifications and embodiments can be devised by those skilled in the art that will fall within the spirit and scope of

the principles of this disclosure. More particularly, various variations and modifications are possible in the component parts and/or arrangements of the subject combination arrangement within the scope of the disclosure, the drawings and the appended claims. In addition to variations and modifications in the component parts and/or arrangements, alternative uses will also be apparent to those skilled in the art.

5

WHAT IS CLAIMED IS:

1. An electronic apparatus comprising:
a charger to determine a type of power source to couple to the charger, and to adjust
5 power from the power source based on the determined type of the power source.
2. The electronic apparatus of claim 1, wherein the charger to change an impedance of
the power based on the determined type of power source.
- 10 3. The electronic apparatus of claim 1, wherein the charger to perform power
processing of the power based on the determined type of power source.
4. The electronic apparatus of claim 1, wherein the charger to determine a specific
mode of the charger.
- 15 5. The electronic apparatus of claim 4, wherein the specific mode is one of a maximum
power point tracking (MPPT) mode, a maximum constant current tracking (MCCT) mode and a
voltage regulator mode.
- 20 6. The electronic apparatus of claim 4, wherein the charger to determine the specific
mode of the charger based on power demand.
7. The electronic apparatus of claim 4, wherein the charger to determine the specific
mode of the charger based on a status of battery charging.
- 25 8. The electronic apparatus of claim 8, wherein the alternative power source is one of a
solar power source, a mechanical power source, a photovoltaic power source, a thermal power
source, a radio frequency power source, a vibration power source, biomechanical power source
or a fuel cell.
- 30 9. An electronic apparatus comprising:
logic, at least a portion of which is hardware, to determine a type of power source,
and to adjust power from the power source based on the determined type of the power source.

10. The electronic apparatus of claim 9, wherein the logic to change an impedance of the power based on the determined type of power source.

5 11. The electronic apparatus of claim 9, wherein the logic to perform power processing of the power based on the determined type of power source.

12. The electronic apparatus of claim 9, wherein the logic to determine a specific mode.

10 13. An electronic system comprising:
a load;
a processor to perform an operation on the load;
a battery port to receive a battery; and
a charger to determine a type of power source, and to adjust power from the power source based on the determined type of the power source.

15

14. The electronic system of claim 13, wherein the charger to change an impedance of the power based on the determined type of power source.

20 15. The electronic system of claim 13, wherein the charger to perform power processing of the power based on the determined type of power source.

16. The electronic system of claim 13, wherein the charger to determine a specific mode of the charger.

25 17. An electronic apparatus comprising:
first means for determining a type of power source to couple to the electronic apparatus; and
second means for adjusting power from the power source based on the determined type of the power source.

30

18. The electronic apparatus of claim 17, wherein the second means to change an impedance of the power based on the determined type of power source.

19. The electronic apparatus of claim 17, wherein the second means to perform power processing of the power based on the determined type of power source.

5 20. A machine-readable medium comprising one or more instructions that when executed cause a device to perform one or more operations to:
determine a type of power source, and
adjust power from the power source based on the determined type of the power source.

10 21. The machine-readable medium of claim 20, wherein the one or more instructions to adjust power by changing an impedance of the power based on the determined type of power source.

15 22. The machine-readable medium of claim 20, wherein the one or more instructions to adjust power by performing power processing of the power based on the determined type of power source.

20 23. A method of an electronic apparatus comprising:
determining a type of power source to couple to the electronic apparatus; and
adjusting power from the power source based on the determined type of the power source.

25 24. The method of claim 23, wherein adjusting the power includes changing an impedance of the power based on the determined type of power source.

25 25. The method of claim 23, wherein adjusting the power includes performing power processing of the power based on the determined type of power source.

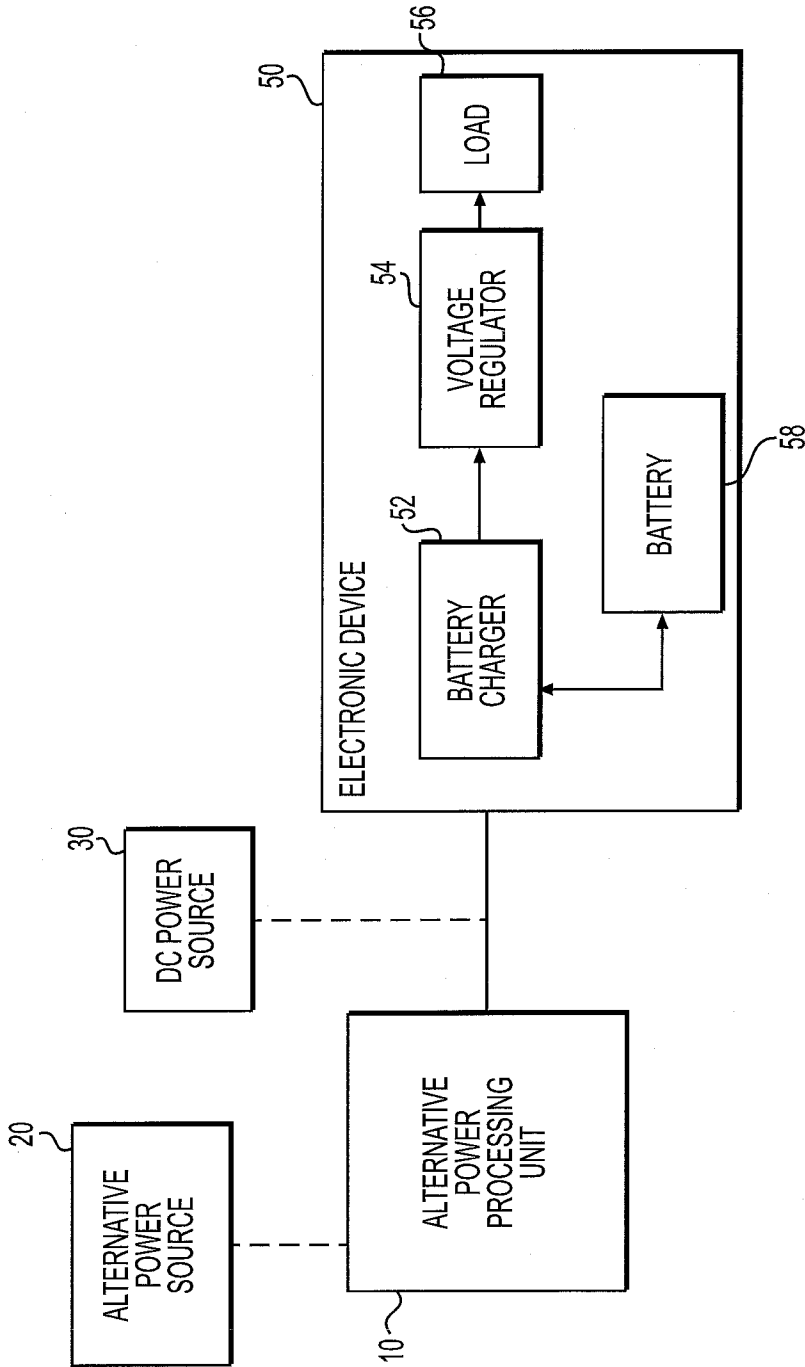


FIG. 1

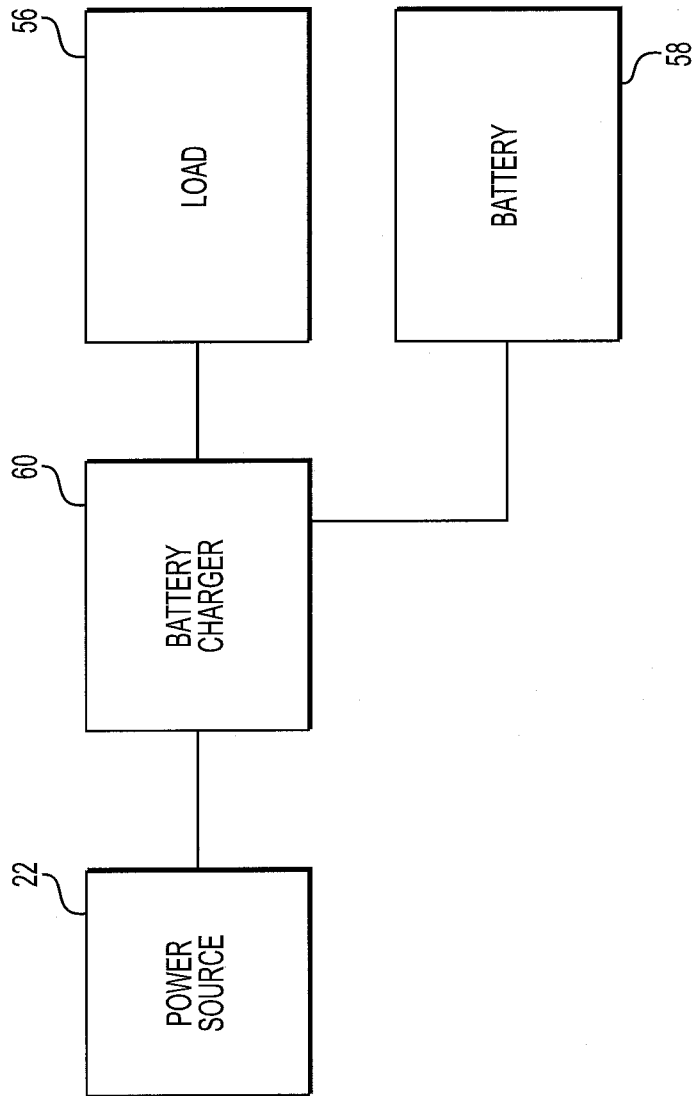


FIG. 2

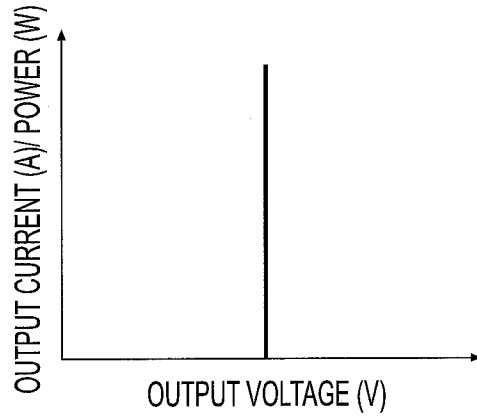


FIG. 3A

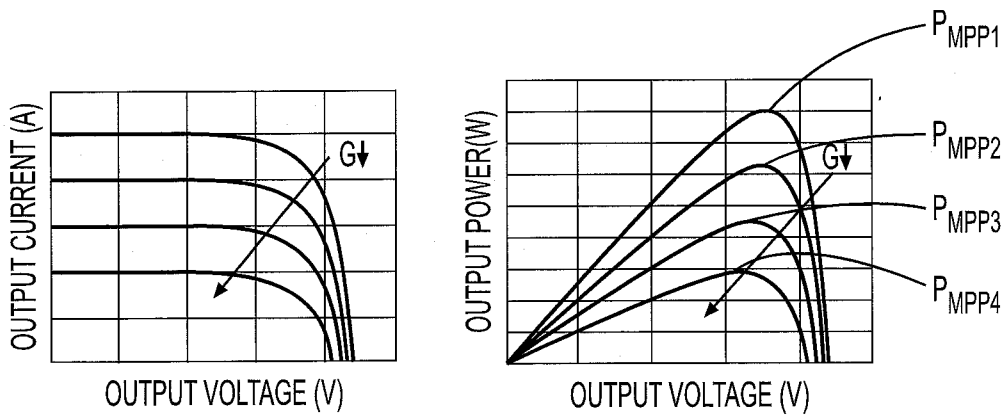


FIG. 3B

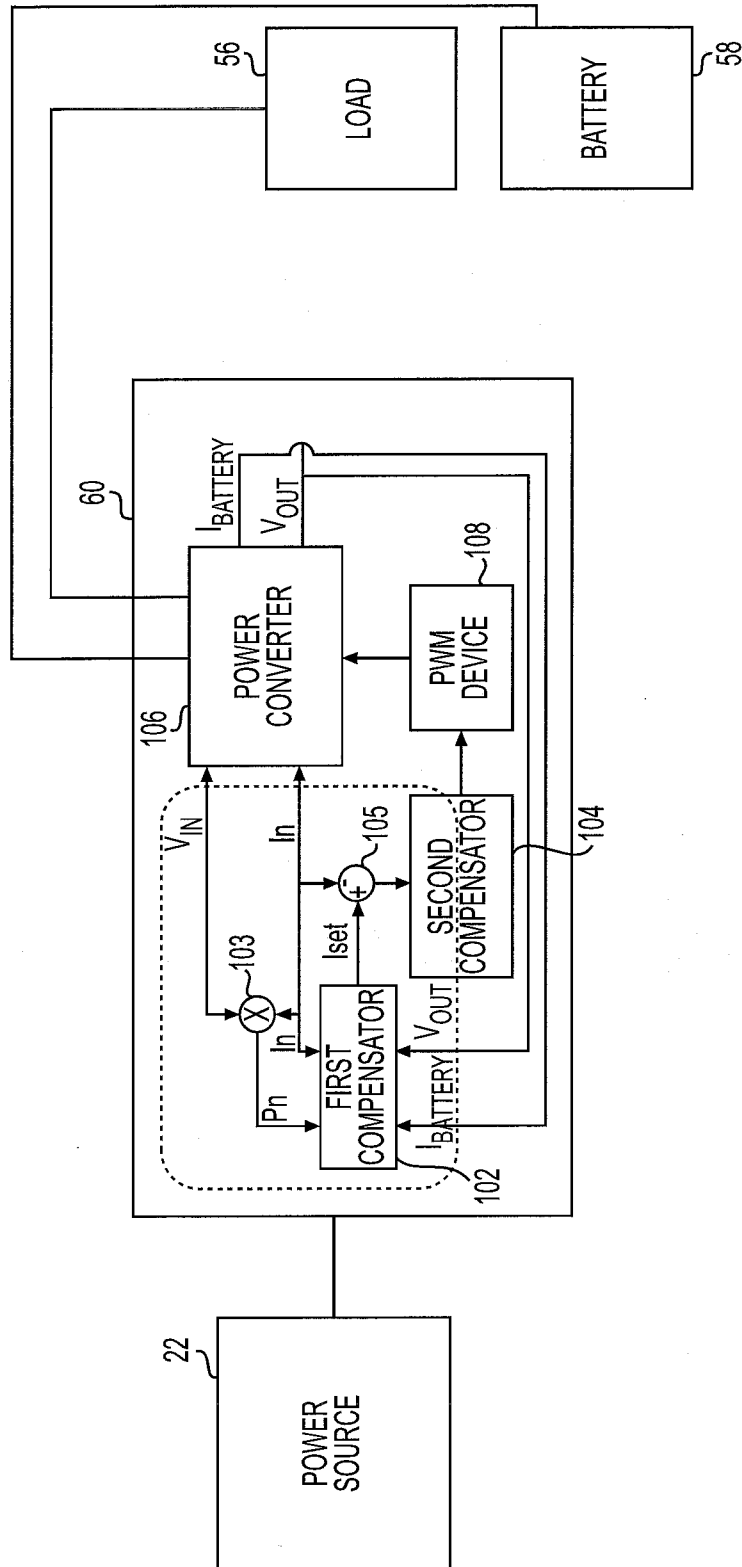


FIG. 4

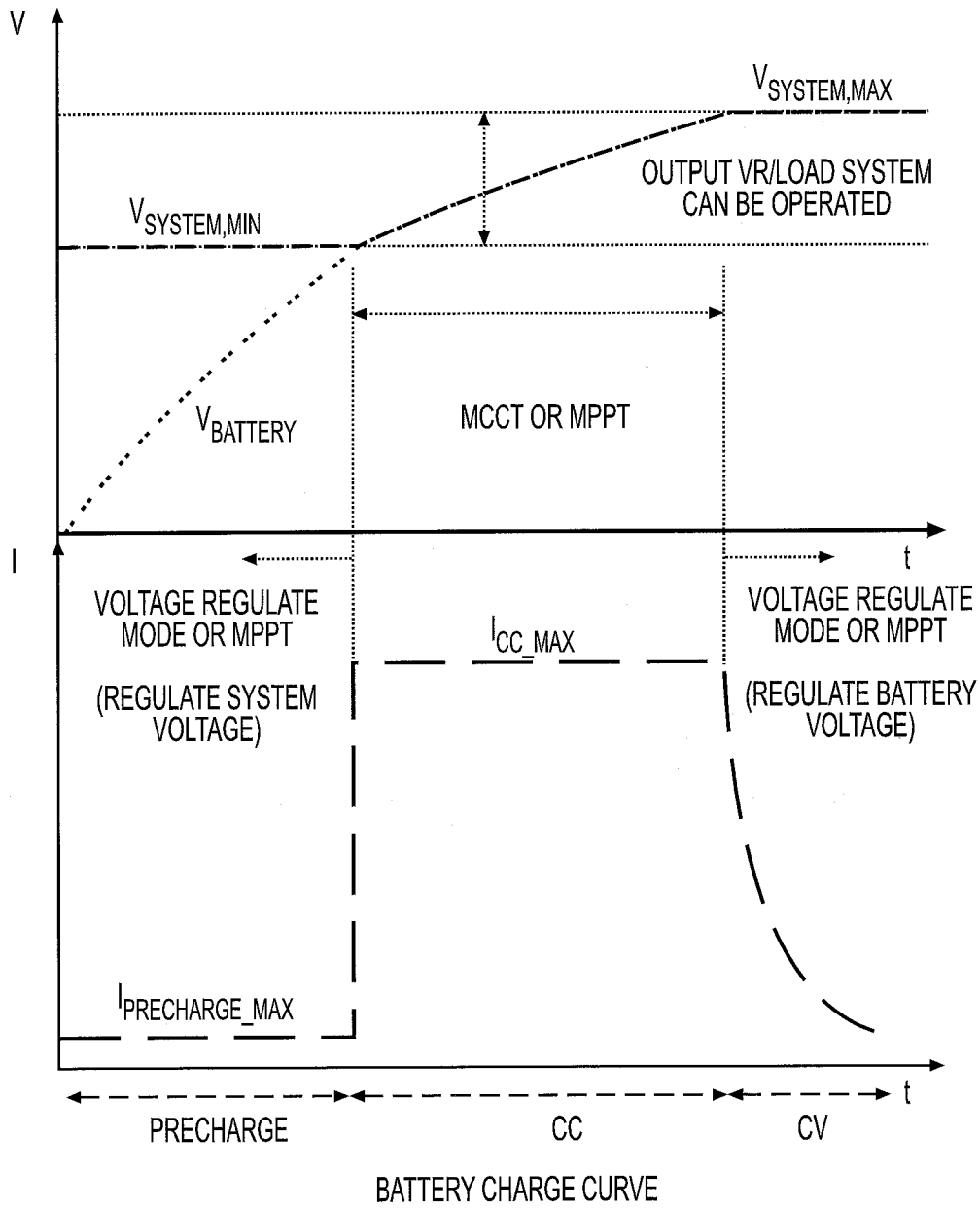


FIG. 5A

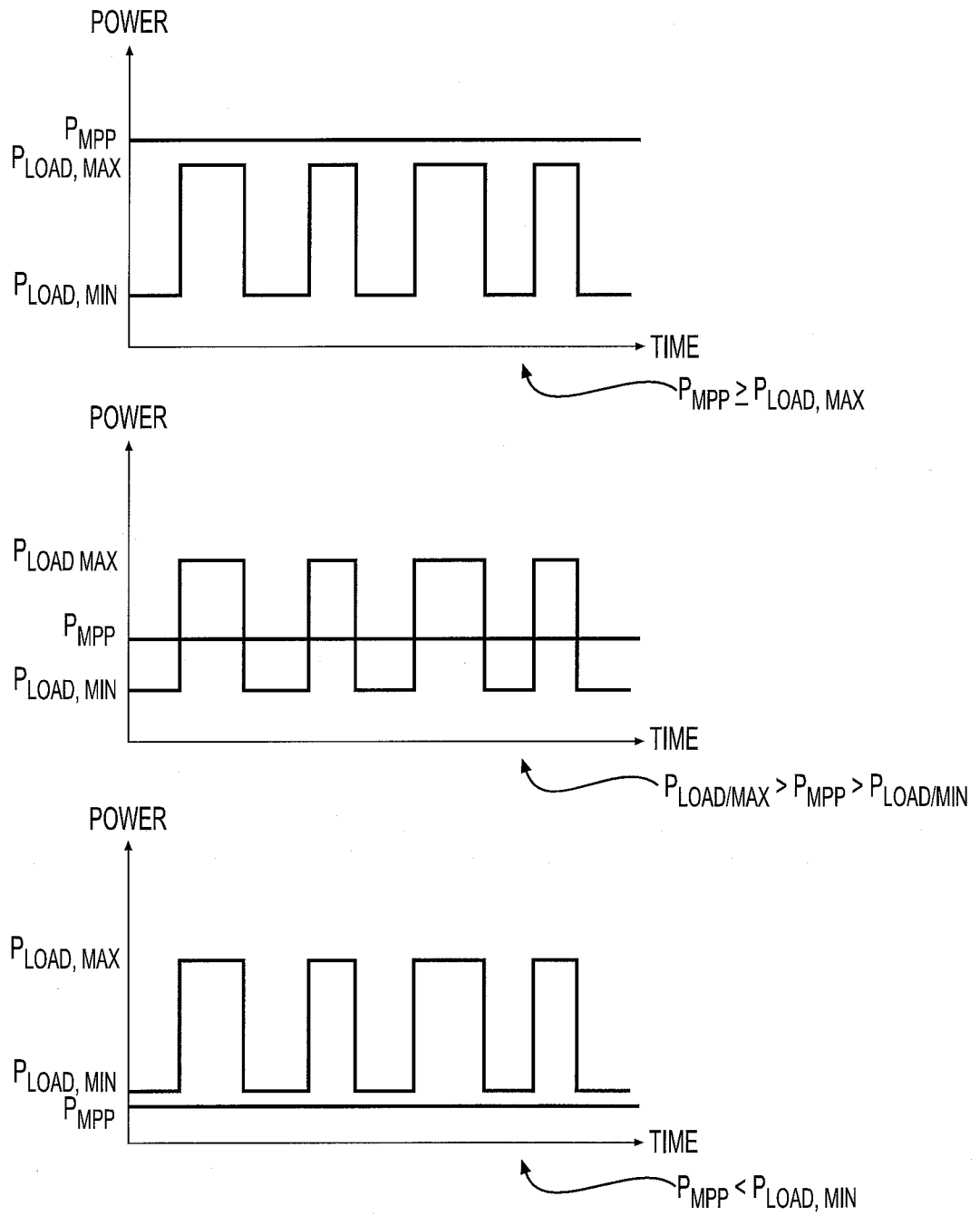


FIG. 5B

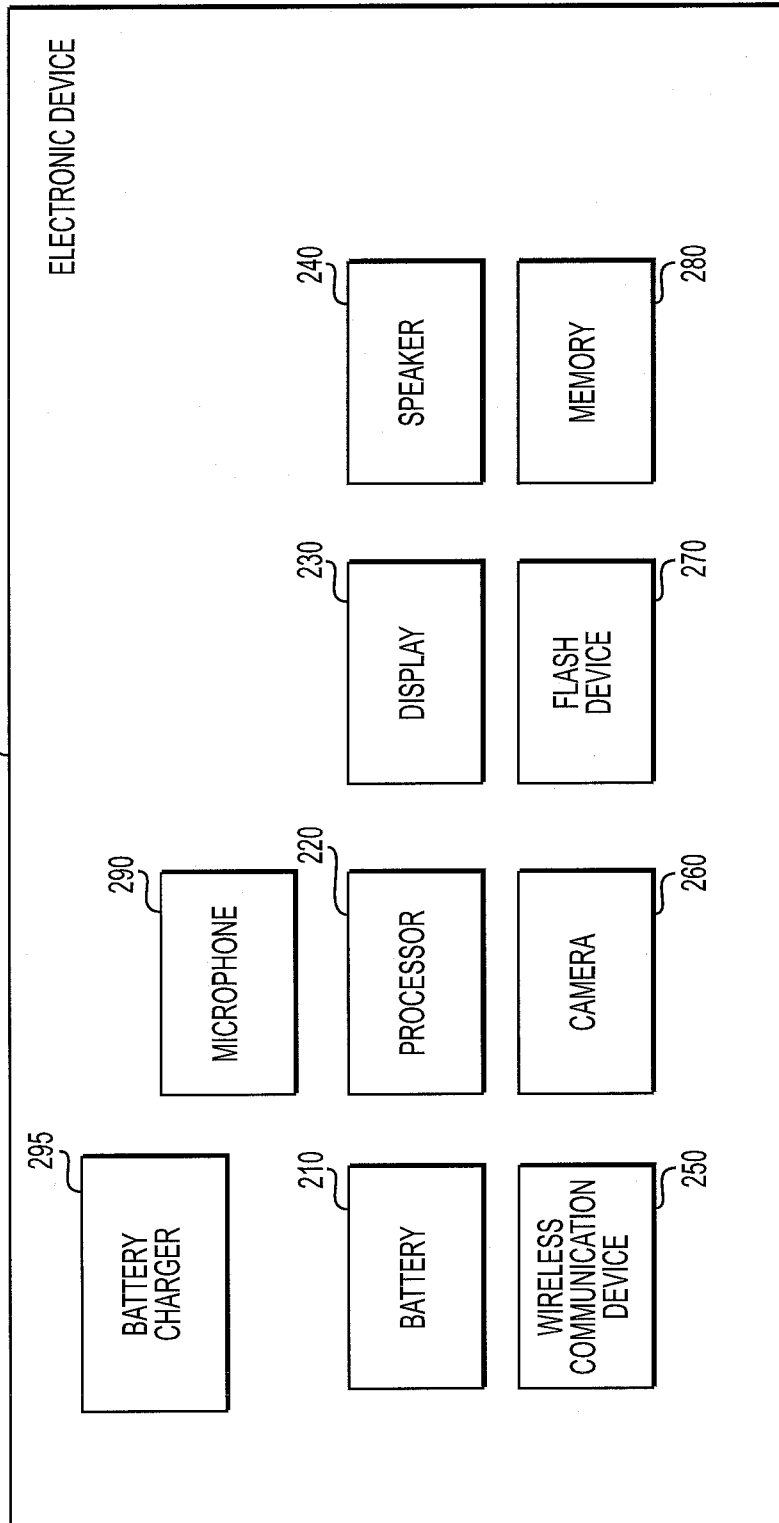


FIG. 6

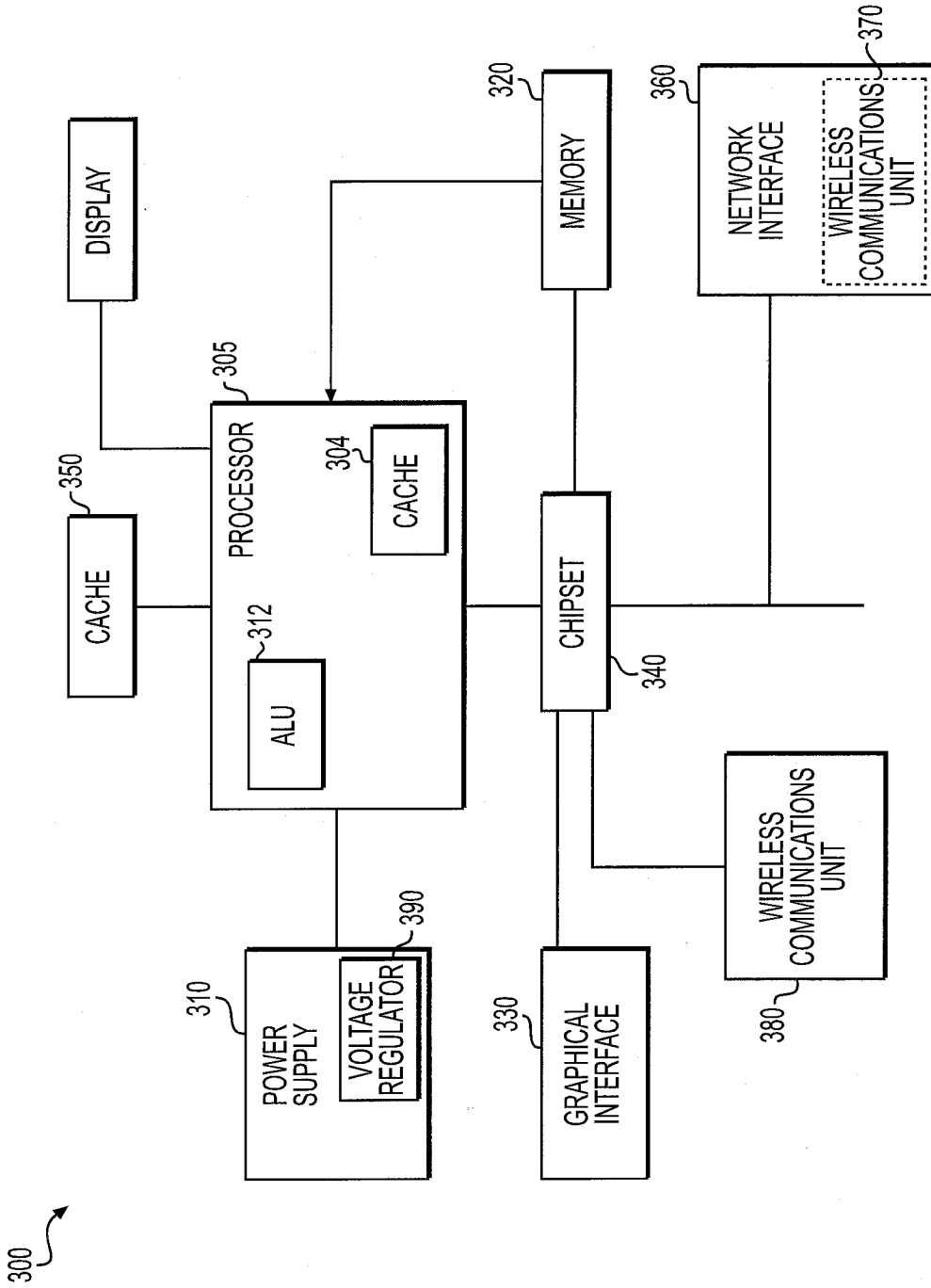


FIG. 7

A. CLASSIFICATION OF SUBJECT MATTER**H02J 7/00(2006.01)i, H02J 7/02(2006.01)i**

According to International Patent Classification (IPC) or to both national classification and IPC

B. FIELDS SEARCHED

Minimum documentation searched (classification system followed by classification symbols)

H02J 7/00; H02J 7/35; H02J 9/02; H02J 7/32; H02J 7/02

Documentation searched other than minimum documentation to the extent that such documents are included in the fields searched

Korean utility models and applications for utility models

Japanese utility models and applications for utility models

Electronic data base consulted during the international search (name of data base and, where practicable, search terms used)

eKOMPASS(KIPO internal) & keywords: charger, power source, type, adjust, battery, impedance, mode

C. DOCUMENTS CONSIDERED TO BE RELEVANT

Category*	Citation of document, with indication, where appropriate, of the relevant passages	Relevant to claim No.
X Y	JP 3148817 U (MING-XIANG YE) 05 March 2009 See paragraphs 12-14, claims 1, 10, and figure 2.	1, 3, 8-9, 11, 13, 15 , 17, 19-20, 22-23, 25 2, 4-7, 10, 12, 14, 16 , 18, 21, 24
Y	US 2014-0001849 A1 (LILLY HUANG et al.) 02 January 2014 See paragraph 46, claim 7, and figure 2.	2, 4-7, 10, 12, 14, 16 , 18, 21, 24
A	US 2004-0164704 A1 (TAI-HER YANG) 26 August 2004 See paragraphs 15-21, claims 1-2, and figure 1.	1-25
A	EP 2437374 A2 (BIRCHCROFT PLC.) 04 April 2012 See paragraphs 12-24, claim 1, and figure 1.	1-25
A	US 2005-0040785 A1 (JUDITH A. BARNES et al.) 24 February 2005 See paragraphs 22-27, claim 1, and figure 1.	1-25

 Further documents are listed in the continuation of Box C. See patent family annex.

* Special categories of cited documents:

"A" document defining the general state of the art which is not considered to be of particular relevance

"E" earlier application or patent but published on or after the international filing date

"L" document which may throw doubts on priority claim(s) or which is cited to establish the publication date of another citation or other special reason (as specified)

"O" document referring to an oral disclosure, use, exhibition or other means

"P" document published prior to the international filing date but later than the priority date claimed

"T" later document published after the international filing date or priority date and not in conflict with the application but cited to understand the principle or theory underlying the invention

"X" document of particular relevance; the claimed invention cannot be considered novel or cannot be considered to involve an inventive step when the document is taken alone

"Y" document of particular relevance; the claimed invention cannot be considered to involve an inventive step when the document is combined with one or more other such documents, such combination being obvious to a person skilled in the art

"&" document member of the same patent family

Date of the actual completion of the international search

15 July 2015 (15.07.2015)

Date of mailing of the international search report

15 July 2015 (15.07.2015)

Name and mailing address of the ISA/KR

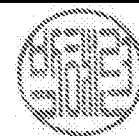
International Application Division
Korean Intellectual Property Office
189 Cheongsu-ro, Seo-gu, Daejeon Metropolitan City, 302-701,
Republic of Korea

Facsimile No. +82-42-472-7140

Authorized officer

PARK, Hye Lyun

Telephone No. +82-42-481-3463



INTERNATIONAL SEARCH REPORT

Information on patent family members

International application No.

PCT/US2015/025156

Patent document cited in search report	Publication date	Patent family member(s)	Publication date
JP 3148817 U	05/03/2009	None	
US 2014-0001849 A1	02/01/2014	None	
US 2004-0164704 A1	26/08/2004	CN 1533010 A EP 1626475 A1 JP 2005-278255 A	29/09/2004 15/02/2006 06/10/2005
EP 2437374 A2	04/04/2012	EP 2437374 A3 GB 2484138 A	29/10/2014 04/04/2012
US 2005-0040785 A1	24/02/2005	US 7119458 B2	10/10/2006