

(19) World Intellectual Property Organization  
International Bureau



(43) International Publication Date  
11 December 2003 (11.12.2003)

PCT

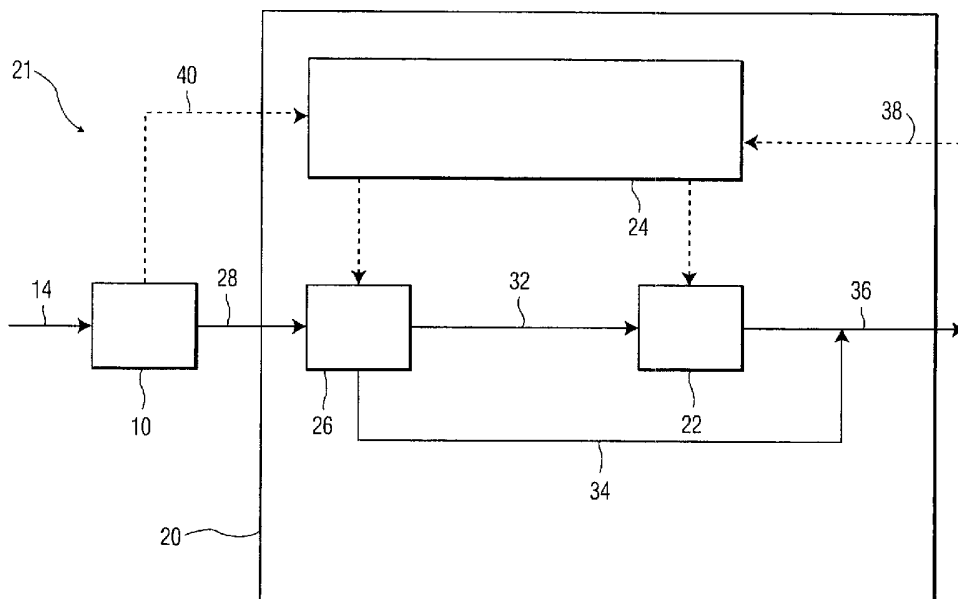
(10) International Publication Number  
WO 2003/103267 A3

- (51) International Patent Classification<sup>7</sup>: **H04N 7/26**
- (21) International Application Number:  
PCT/IB2003/002130
- (22) International Filing Date: 19 May 2003 (19.05.2003)
- (25) Filing Language: English
- (26) Publication Language: English
- (30) Priority Data:  
10/161,795 4 June 2002 (04.06.2002) US
- (71) Applicant: **KONINKLIJKE PHILIPS ELECTRONICS N.V.** [NL/NL]; Groenewoudseweg 1, NL-5621 BA Eindhoven (NL).
- (71) Applicant (*for AE only*): **U.S. PHILIPS CORPORATION** [US/US]; 1251 Avenue of the Americas, New York, NY 10510-8001 (US).
- (72) Inventors: **ZHUN, Zhong**; P.O. Box 3001, Briarcliff Manor, NY 10510-8001 (US). **CHEN, Yingwei**; P.O. Box 3001, Briarcliff Manor, NY 10510-8001 (US).
- (74) Agent: **GROSS, Russell**; Philips Intellectual Property & Standards, 580 White Plains Road, Tarrytown, NY 10591 (US).
- (81) Designated States (*national*): AE, AG, AL, AM, AT, AU, AZ, BA, BB, BG, BR, BY, BZ, CA, CH, CN, CO, CR, CU, CZ, DE, DK, DM, DZ, EC, EE, ES, FI, GB, GD, GE, GH, GM, HR, HU, ID, IL, IN, IS, JP, KE, KG, KP, KR, KZ, LC, LK, LR, LS, LT, LU, LV, MA, MD, MG, MK, MN, MW, MX, MZ, NI, NO, NZ, OM, PH, PL, PT, RO, RU, SC, SD, SE, SG, SK, SL, TJ, TM, TN, TR, TT, TZ, UA, UG, UZ, VC, VN, YU, ZA, ZM, ZW.
- (84) Designated States (*regional*): ARIPO patent (GH, GM, KE, LS, MW, MZ, SD, SL, SZ, TZ, UG, ZM, ZW), Eurasian patent (AM, AZ, BY, KG, KZ, MD, RU, TJ, TM), European patent (AT, BE, BG, CH, CY, CZ, DE, DK, EE, ES, FI, FR, GB, GR, HU, IE, IT, LU, MC, NL, PT, RO, SE, SI, SK, TR), OAPI patent (BF, BJ, CF, CG, CI, CM, GA, GN, GQ, GW, ML, MR, NE, SN, TD, TG).

Published:  
— with international search report

[Continued on next page]

(54) Title: VIDEO DECODING SYSTEM AND METHOD HAVING POST-PROCESSING TO REDUCE SHARPNESS PREDICTION DRIFT



(57) Abstract: A video processing system comprising: a decoder having a complexity reduction system; and a post-processing system for processing an output of the decoder, wherein the post-processing system includes a filter for intentionally blurring a set of frames in a group of pictures (GOP) to achieve a smooth visual transition between frames.

WO 2003/103267 A3



— *before the expiration of the time limit for amending the claims and to be republished in the event of receipt of amendments*

*For two-letter codes and other abbreviations, refer to the "Guidance Notes on Codes and Abbreviations" appearing at the beginning of each regular issue of the PCT Gazette.*

**(88) Date of publication of the international search report:**  
5 February 2004

## INTERNATIONAL SEARCH REPORT

International Application No

PCT/IB 03/02130

A. CLASSIFICATION OF SUBJECT MATTER  
IPC 7 H04N/26

According to International Patent Classification (IPC) or to both national classification and IPC

## B. FIELDS SEARCHED

Minimum documentation searched (classification system followed by classification symbols)  
IPC 7 H04N

Documentation searched other than minimum documentation to the extent that such documents are included in the fields searched

Electronic data base consulted during the international search (name of data base and, where practical, search terms used)

EPO-Internal, INSPEC

## C. DOCUMENTS CONSIDERED TO BE RELEVANT

| Category ° | Citation of document, with indication, where appropriate, of the relevant passages   | Relevant to claim No. |
|------------|--|-----------------------|
| X          | BOYCE J ET AL: "LOW-COST ALL FORMAT ATV DECODING WITH IMPROVED QUALITY"<br>SMPTE ADVANCED MOTION IMAGING CONFERENCE,<br>XX, XX,<br>2 February 1996 (1996-02-02), pages<br>45-51, XP001006067 | 1-3                   |
| Y          | paragraph '03.3!   | 4                     |
| A          | paragraph '04.1!   | 5-19                  |
| Y          | US 5 253 059 A (GUILLEMOT CHRISTINE M ET AL) 12 October 1993 (1993-10-12)<br>abstract<br>column 6, line 35 -column 7, line 6;<br>figure 1  | 4                     |
| A          |  | 1-3, 5-19             |

 Further documents are listed in the continuation of box C. Patent family members are listed in annex.

° Special categories of cited documents :

"A" document defining the general state of the art which is not considered to be of particular relevance

"E" earlier document but published on or after the international filing date

"L" document which may throw doubts on priority claim(s) or which is cited to establish the publication date of another citation or other special reason (as specified)

"O" document referring to an oral disclosure, use, exhibition or other means

"P" document published prior to the international filing date but later than the priority date claimed

"T" later document published after the international filing date or priority date and not in conflict with the application but cited to understand the principle or theory underlying the invention

"X" document of particular relevance; the claimed invention cannot be considered novel or cannot be considered to involve an inventive step when the document is taken alone

"Y" document of particular relevance; the claimed invention cannot be considered to involve an inventive step when the document is combined with one or more other such documents, such combination being obvious to a person skilled in the art.

"&amp;" document member of the same patent family

Date of the actual completion of the international search

20 November 2003

Date of mailing of the international search report

10/12/2003

Name and mailing address of the ISA

European Patent Office, P.B. 5818 Patentlaan 2  
NL - 2280 HV Rijswijk  
Tel. (+31-70) 340-2040, Tx. 31 651 epo nl,  
Fax: (+31-70) 340-3016

Authorized officer

Georgiou, G

## INTERNATIONAL SEARCH REPORT

Intel International Application No

PCT/IB 03/02130

| C.(Continuation) DOCUMENTS CONSIDERED TO BE RELEVANT |   |                       |
|--|---|-----------------------|
| Category °   | Citation of document, with indication, where appropriate, of the relevant passages  | Relevant to claim No. |
| A  | US 6 178 205 B1 (DRIZEN DAVID ET AL)<br>23 January 2001 (2001-01-23)<br>column 9, line 33 -column 10, line 52;<br>figure 6<br>column 4, line 46 - line 52<br>---  | 1-19                  |
| A  | US 5 134 476 A (PURI ATUL ET AL)<br>28 July 1992 (1992-07-28)<br>abstract<br>---  | 1-19                  |
| A  | US 4 941 043 A (JASS WIELAND)<br>10 July 1990 (1990-07-10)<br>abstract<br>---   | 1-19                  |
| A  | US 6 272 177 B1 (KATO YOSHIKI ET AL)<br>7 August 2001 (2001-08-07)<br>column 8, line 54 -column 9, line 23;<br>figures 1,2<br>column 9, line 56 - line 65<br>column 10, line 51 -column 11, line 35;<br>figure 6<br>--- | 1-19                  |
| A  | EP 0 707 426 A (HITACHI LTD)<br>17 April 1996 (1996-04-17)<br>column 6, line 9 - line 14<br>column 11, line 44 - line 58; figure 2A<br>column 13, line 15 - line 22<br>---  | 1-19                  |
| A  | US 6 184 935 B1 (EGAWA REN ET AL)<br>6 February 2001 (2001-02-06)<br>column 5, line 8 - line 58; figure 2<br>-----  | 1-19                  |

**INTERNATIONAL SEARCH REPORT**  
information on patent family members

Inti onal Application No  
PCT/IB 03/02130

| Patent document cited in search report |    | Publication date | Patent family member(s)   | Publication date   |
|--|----|------------------|---|--|
| US 5253059                             | A  | 12-10-1993       | NONE  |  |
| US 6178205                             | B1 | 23-01-2001       | NONE  |  |
| US 5134476                             | A  | 28-07-1992       | NONE  |  |
| US 4941043                             | A  | 10-07-1990       | AT 163245 T<br>DE 58909831 D1<br>EP 0346766 A1<br>JP 2033285 A  | 15-02-1998<br>19-03-1998<br>20-12-1989<br>02-02-1990   |
| US 6272177                             | B1 | 07-08-2001       | JP 3165296 B2<br>JP 6311506 A<br>US 5579051 A<br>AU 656489 B2<br>AU 5186293 A<br>DE 69326990 D1<br>DE 69326990 T2<br>DE 69331939 D1<br>DE 69331939 T2<br>DE 69332180 D1<br>DE 69332180 T2<br>EP 1126723 A2<br>EP 0603878 A2<br>EP 0903945 A2<br>EP 0902592 A2<br>JP 3364483 B2<br>JP 2001186526 A<br>JP 3364484 B2<br>JP 2001186527 A<br>JP 2003116137 A<br>JP 2003163936 A<br>US 5543848 A<br>US 5724098 A | 14-05-2001<br>04-11-1994<br>26-11-1996<br>02-02-1995<br>14-07-1994<br>16-12-1999<br>31-05-2000<br>20-06-2002<br>02-01-2003<br>05-09-2002<br>08-05-2003<br>22-08-2001<br>29-06-1994<br>24-03-1999<br>17-03-1999<br>08-01-2003<br>06-07-2001<br>08-01-2003<br>06-07-2001<br>18-04-2003<br>06-06-2003<br>06-08-1996<br>03-03-1998 |
| EP 0707426                             | A  | 17-04-1996       | US 5614952 A<br>DE 69529323 D1<br>DE 69529323 T2<br>EP 1209916 A2<br>EP 0707426 A2<br>JP 8205161 A<br>US 6262770 B1<br>US 2002176508 A1<br>US 5969768 A<br>US 6141059 A<br>US 6100932 A<br>US 6061402 A<br>US 5635985 A<br>US 5614957 A<br>US 5828421 A<br>US 6167089 A<br>US 6249547 B1<br>US 5646686 A<br>US 6025878 A<br>US 2001017891 A1<br>US 5767907 A  | 25-03-1997<br>13-02-2003<br>20-11-2003<br>29-05-2002<br>17-04-1996<br>09-08-1996<br>17-07-2001<br>28-11-2002<br>19-10-1999<br>31-10-2000<br>08-08-2000<br>09-05-2000<br>03-06-1997<br>25-03-1997<br>27-10-1998<br>26-12-2000<br>19-06-2001<br>08-07-1997<br>15-02-2000<br>30-08-2001<br>16-06-1998                             |
| US 6184935                             | B1 | 06-02-2001       | CN 1219321 A  | 09-06-1999   |

**INTERNATIONAL SEARCH REPORT**  
 information on patent family members

International Application No  
 PCT/IB 03/02130

| Patent document<br>cited in search report | Publication<br>date | Patent family<br>member(s) | Publication<br>date |
|---|---------------------|----------------------------|---------------------|
| US 6184935                                | B1                  | CN 1219321 T               | 09-06-1999          |
|   |                     | CN 1219327 A               | 09-06-1999          |
|   |                     | CN 1219327 T               | 09-06-1999          |
|   |                     | CN 1220800 A               | 23-06-1999          |
|   |                     | CN 1220800 T               | 23-06-1999          |
|   |                     | EP 0901734 A1              | 17-03-1999          |
|   |                     | EP 0908057 A1              | 14-04-1999          |
|   |                     | EP 0901735 A1              | 17-03-1999          |
|   |                     | JP 2001506099 T            | 08-05-2001          |
|   |                     | JP 2000511035 T            | 22-08-2000          |
|   |                     | JP 2000514987 T            | 07-11-2000          |
|   |                     | KR 2000010955 A            | 25-02-2000          |
|   |                     | KR 2000010956 A            | 25-02-2000          |
|   |                     | KR 2000010957 A            | 25-02-2000          |
|   |                     | WO 9841011 A1              | 17-09-1998          |
|   |                     | WO 9841012 A1              | 17-09-1998          |
|   |                     | WO 9841029 A1              | 17-09-1998          |
|   |                     | US 6539120 B1              | 25-03-2003          |

---