



US00D574530S

(12) **United States Design Patent**  
**Tragatschnig**

(10) **Patent No.:** **US D574,530 S**

(45) **Date of Patent:** **\*\* Aug. 5, 2008**

(54) **LIGHT**

(75) Inventor: **Jörg Tragatschnig**, Zell am See (AT)

(73) Assignee: **Zumtobel Lighting GmbH & Co. KG**, Lemgo (DE)

(\*\*) Term: **14 Years**

(21) Appl. No.: **29/271,009**

(22) Filed: **Jan. 8, 2007**

(30) **Foreign Application Priority Data**

Jul. 6, 2006 (EM) ..... 000556238

(51) **LOC (8) Cl.** ..... **26-05**

(52) **U.S. Cl.** ..... **D26/61**

(58) **Field of Classification Search** ..... D26/14,  
D26/60-66; 362/410, 413, 414, 419, 427,  
362/285, 287, 282, 277, 275, 274, 271, 270,  
362/269, 431

See application file for complete search history.

(56) **References Cited**

**U.S. PATENT DOCUMENTS**

- D122,711 S \* 9/1940 May ..... D26/63
- D302,865 S \* 8/1989 von Klier ..... D26/63
- D310,727 S \* 9/1990 Lu ..... D26/63
- D320,865 S \* 10/1991 Chang ..... D26/108

- D340,303 S \* 10/1993 Huang ..... D26/66
- D382,076 S \* 8/1997 Chan ..... D26/65
- D515,235 S \* 2/2006 Opolka ..... D26/107
- D536,474 S \* 2/2007 Chandler ..... D26/93

\* cited by examiner

*Primary Examiner*—Cathron Brooks

*Assistant Examiner*—Barbara Fox

(74) *Attorney, Agent, or Firm*—Marshall, Gerstein & Borun LLP

(57) **CLAIM**

The ornamental design for a light, as shown and described.

**DESCRIPTION**

FIG. 1 is a perspective view of a light that has the design.

FIG. 2 is another perspective view of the light.

FIG. 3 is a side view of the light. The opposite side is a mirror image.

FIG. 4 is a front side view of the light.

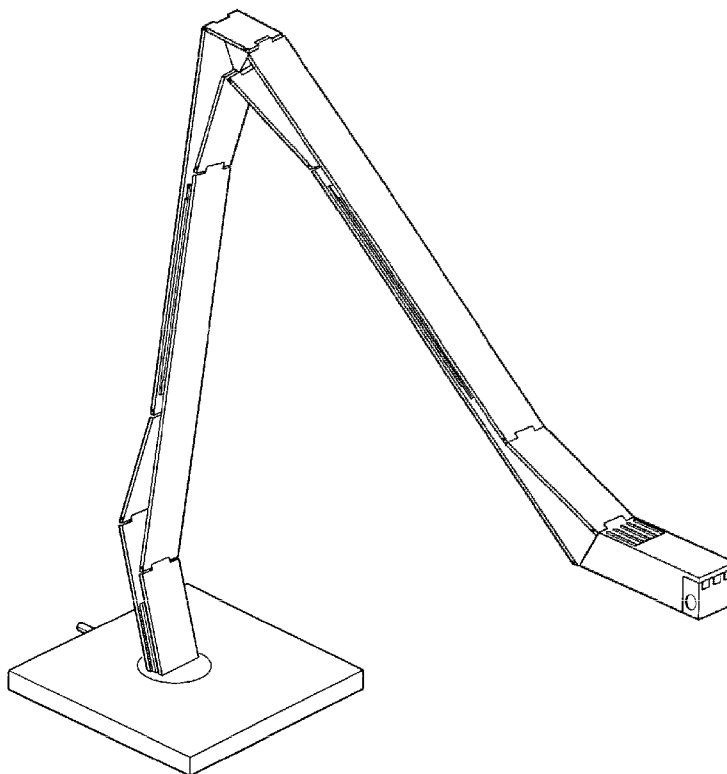
FIG. 5 is a back side view of the light.

FIG. 6 is a bottom view of the light; and,

FIG. 7 is a top view of the light.

The broken line showing of portions of the light is for the purpose of illustrating portions of the light and forms no part of the claimed design.

**1 Claim, 5 Drawing Sheets**



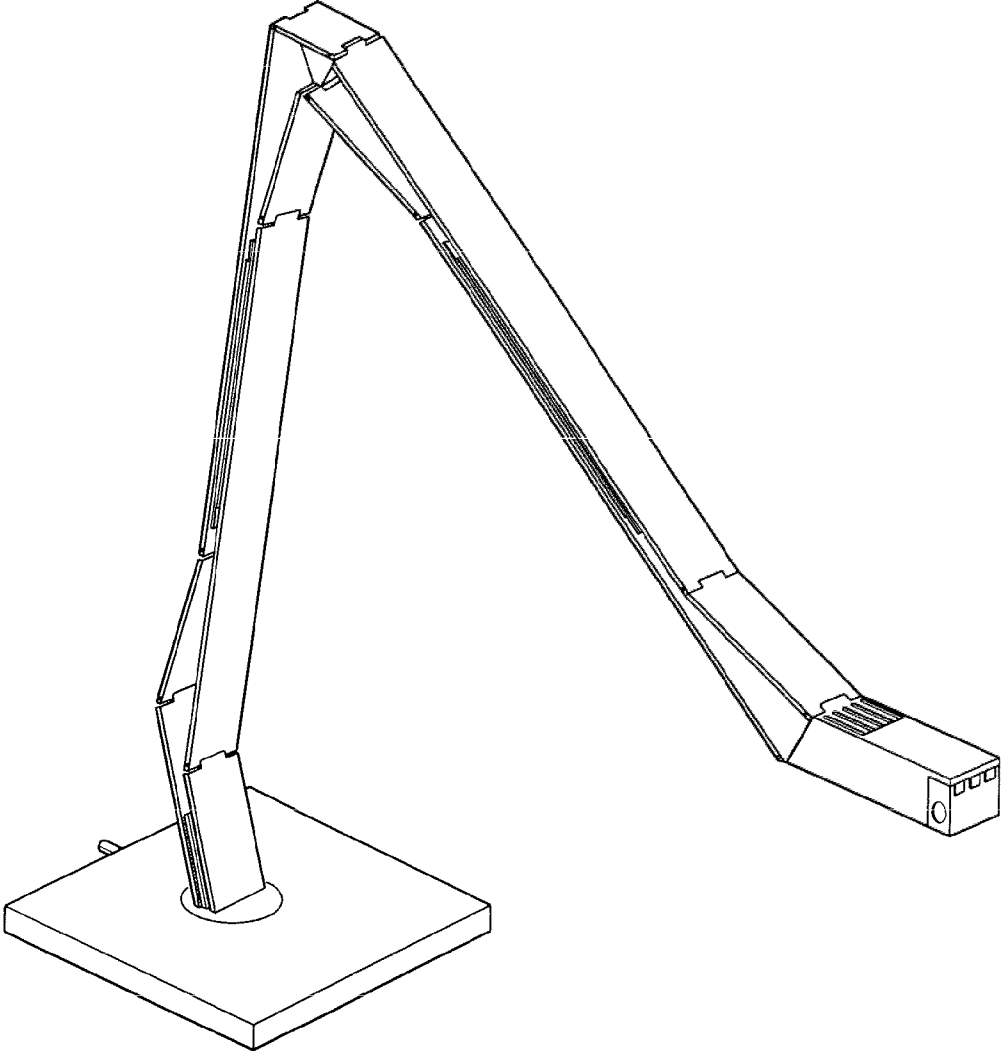


FIG. 1

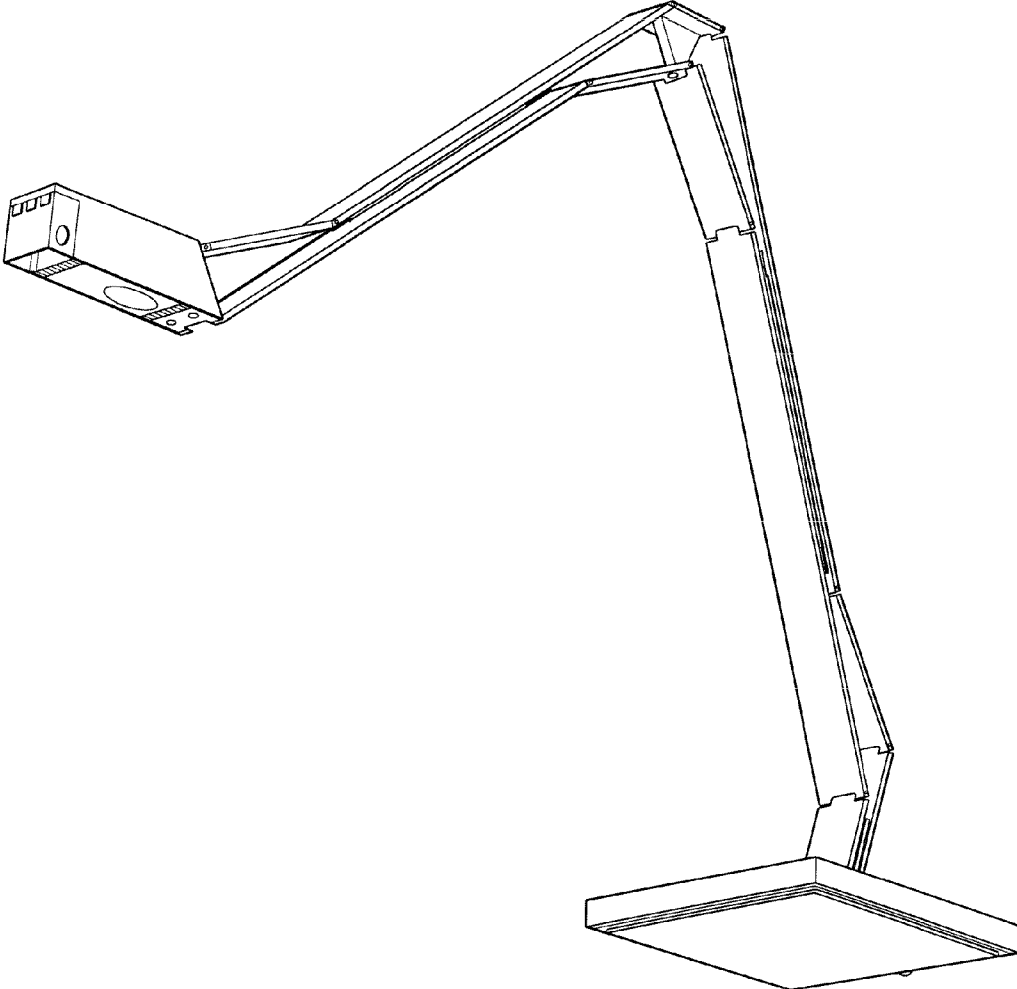


FIG. 2

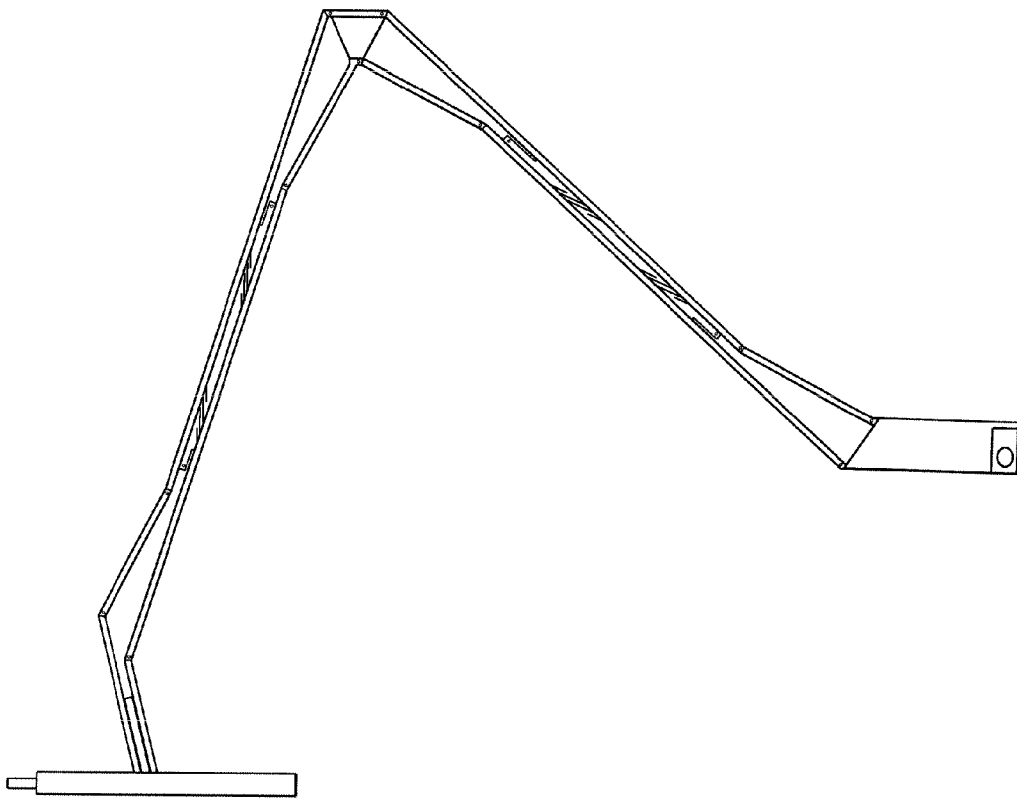


FIG. 3

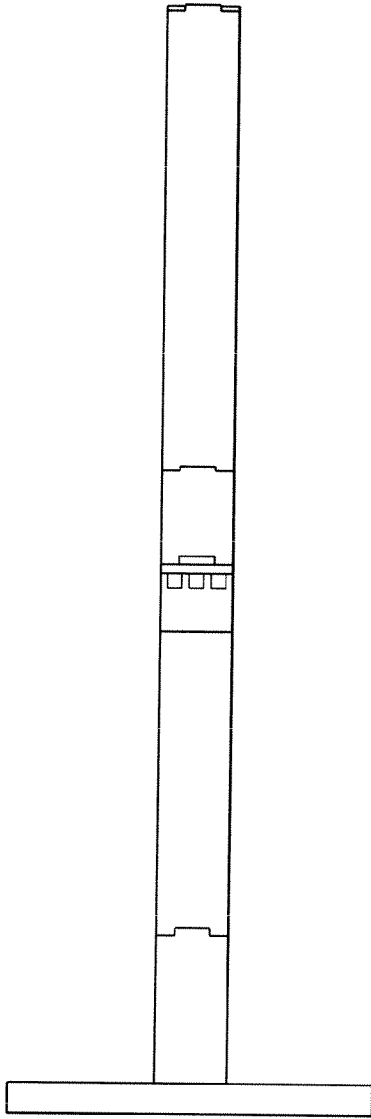


FIG. 4

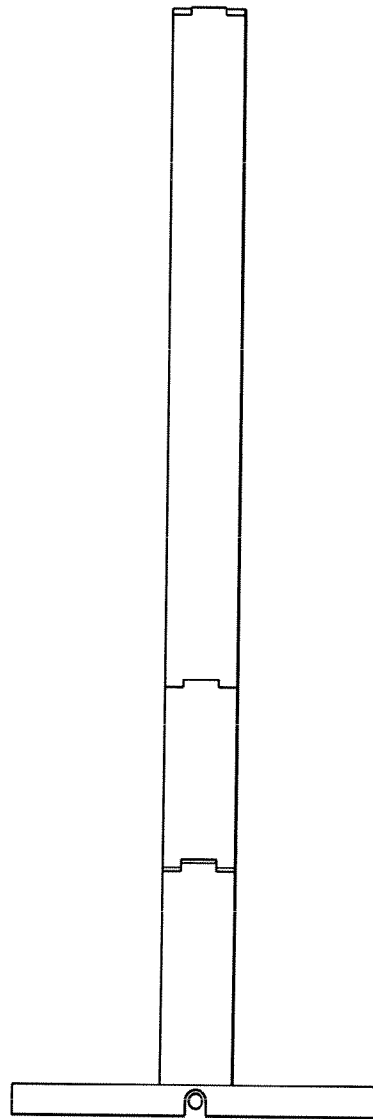


FIG. 5

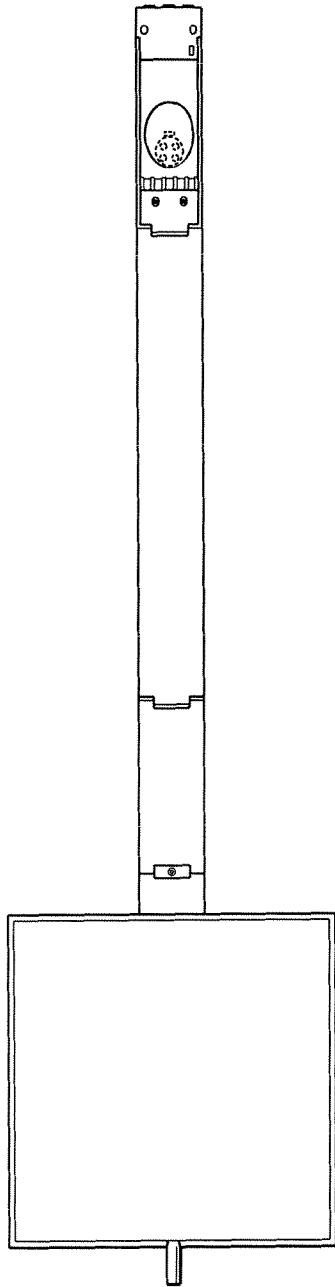


FIG. 6

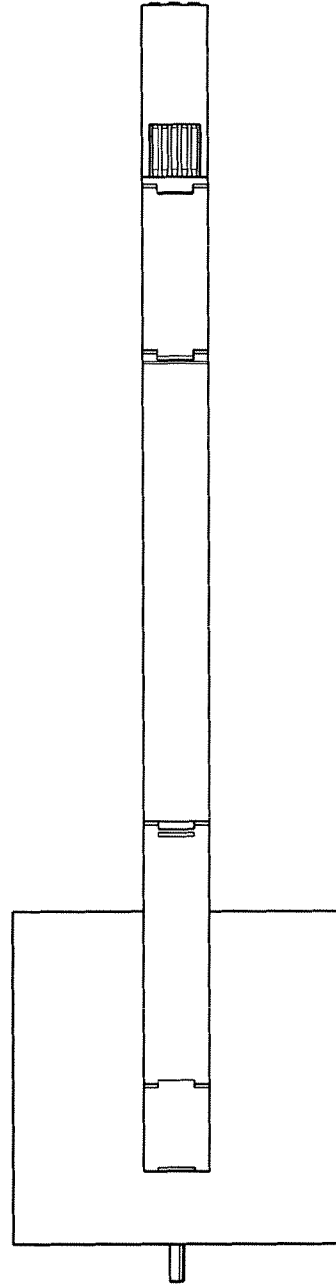


FIG. 7