



US00D729045S

(12) **United States Design Patent**  
**Cavanaugh et al.**

(10) **Patent No.:** **US D729,045 S**

(45) **Date of Patent:** **\*\* May 12, 2015**

(54) **POWER CORD RETAINING SYSTEM**

(71) Applicant: **Huntleigh Technology Ltd**, Houghton Regis, Bedfordshire (GB)

(72) Inventors: **Matthew Cavanaugh**, San Antonio, TX (US); **Mathew Pickering**, San Antonio, TX (US)

(73) Assignee: **Huntleigh Technology Ltd.** (GB)

(\*\*) Term: **14 Years**

(21) Appl. No.: **29/492,033**

(22) Filed: **May 28, 2014**

(30) **Foreign Application Priority Data**

Mar. 10, 2014 (EM) ..... 002421578-0001

(51) **LOC (10) Cl.** ..... **08-05**

(52) **U.S. Cl.**  
USPC ..... **D8/356**

(58) **Field of Classification Search**  
USPC ..... D8/356, 354, 349; 220/575;  
206/521.15; 24/302, 16 R, 306, 17 R;  
439/501; 381/374; D14/217, 205  
See application file for complete search history.

(56) **References Cited**

**U.S. PATENT DOCUMENTS**

423,312 A \* 3/1890 Clark ..... 24/134 R  
1,666,623 A \* 4/1928 Hoover ..... 24/18

4,957,232 A *	9/1990	Sprague	.....	224/674
D311,487 S *	10/1990	Platt	.....	D8/396
5,234,185 A *	8/1993	Hoffman et al.	.....	248/56
D353,990 S *	1/1995	Alfreds	.....	D8/356
D390,447 S *	2/1998	Colen, Jr.	.....	D8/356
6,092,444 A *	7/2000	Hsiao	.....	81/440
D494,450 S *	8/2004	Schultz et al.	.....	D8/356
6,813,981 B2 *	11/2004	Urban et al.	.....	83/13
D613,137 S *	4/2010	Wieberdink et al.	.....	D8/14
D624,378 S *	9/2010	Wysopal	.....	D8/40
D627,632 S *	11/2010	Elmer et al.	.....	D8/383
D660,740 S *	5/2012	Cullen et al.	.....	D11/3
D662,087 S *	6/2012	Peller	.....	D14/223
D675,123 S *	1/2013	Nunez	.....	D11/3
D684,845 S *	6/2013	Wood	.....	D8/356
8,615,849 B2 *	12/2013	Rothbaum et al.	.....	24/16 R

\* cited by examiner

*Primary Examiner* — Cynthia Underwood

(74) *Attorney, Agent, or Firm* — Fenwick & West LLP

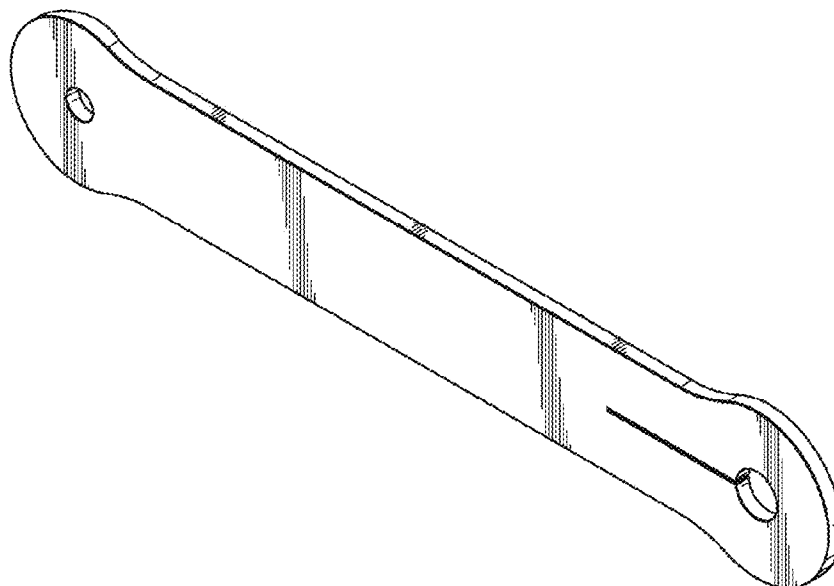
(57) **CLAIM**

The ornamental design for a power cord retaining system, as shown and described.

**DESCRIPTION**

FIG. 1 is a perspective view of a power cord retaining system according to a first embodiment; FIG. 2 is a front view thereof; FIG. 3 is a back view thereof; FIG. 4 is a left view thereof; FIG. 5 is a right view thereof; FIG. 6 is a top view thereof; and, FIG. 7 is a bottom view thereof.

**1 Claim, 5 Drawing Sheets**



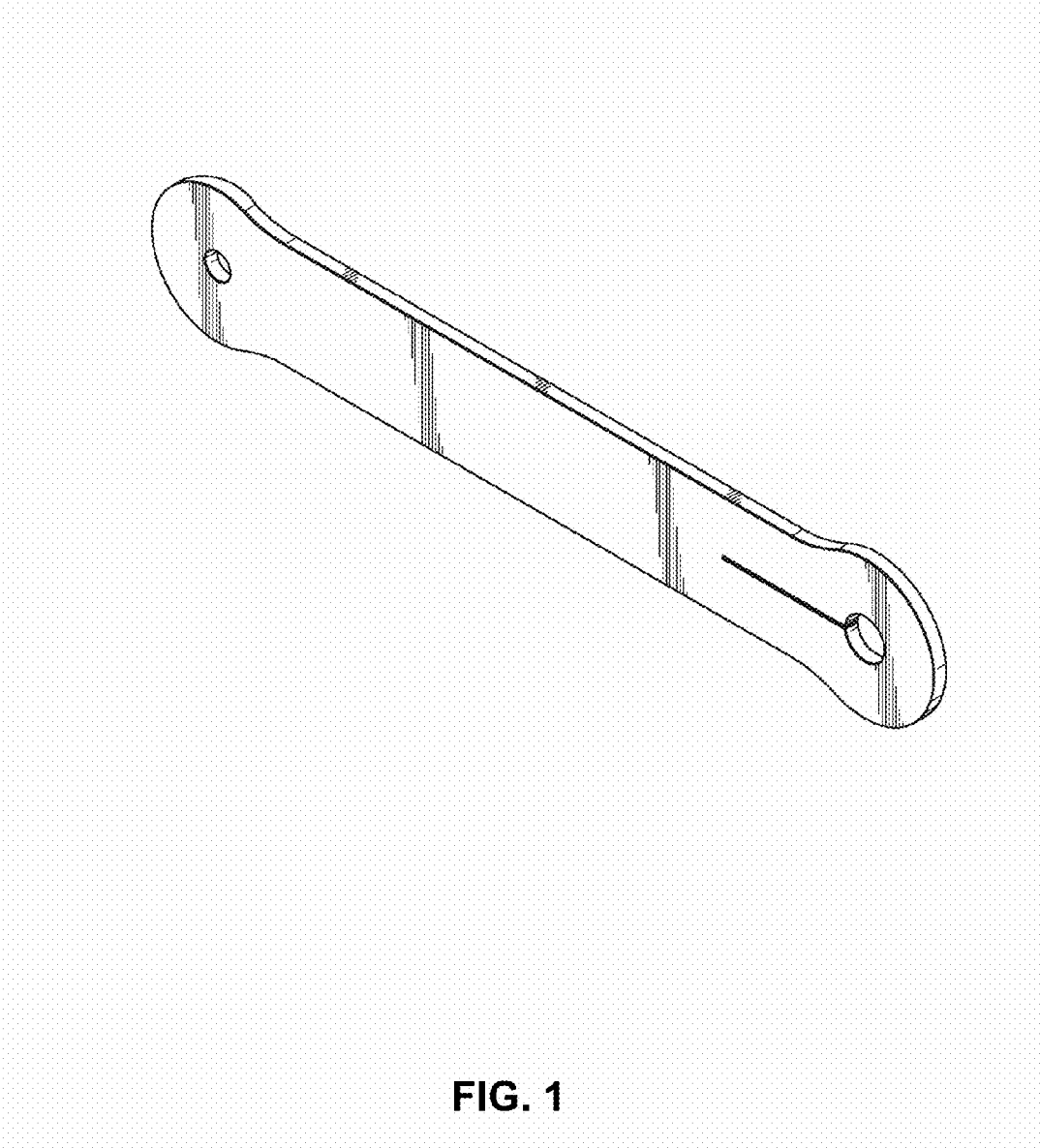


FIG. 1

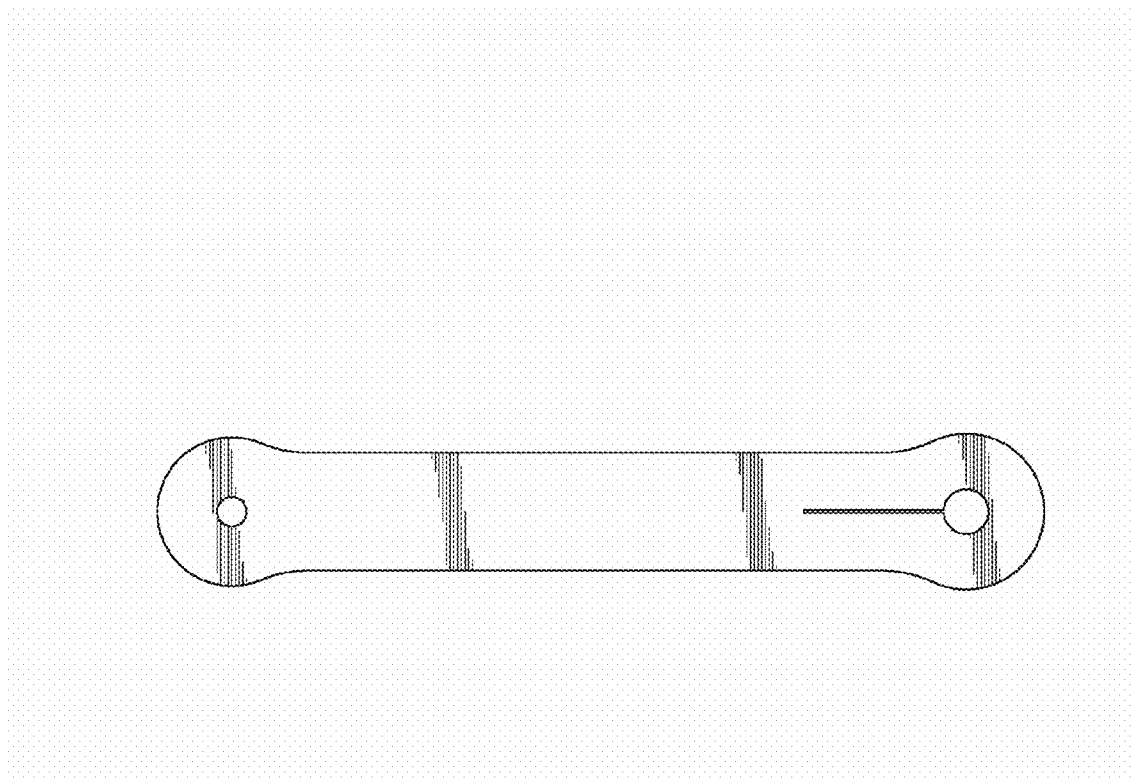


FIG. 2

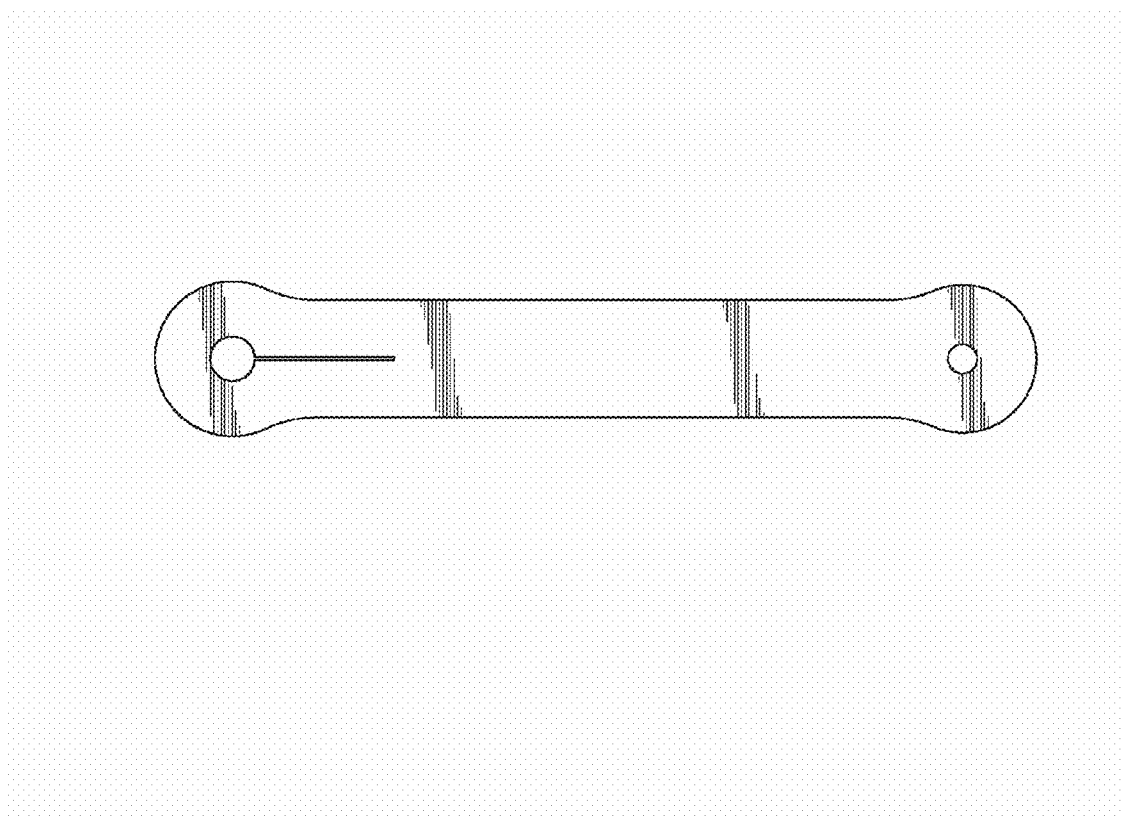


FIG. 3



FIG. 4



FIG. 5

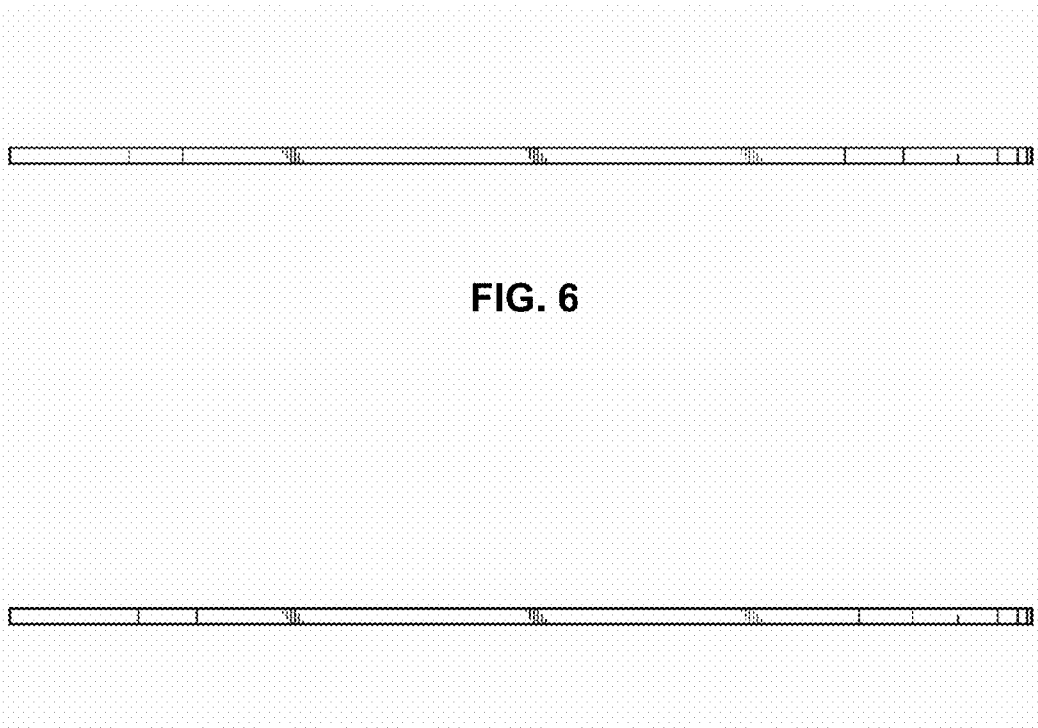


FIG. 6

FIG. 7