

(19) World Intellectual Property Organization
International Bureau



(43) International Publication Date
18 May 2006 (18.05.2006)

PCT

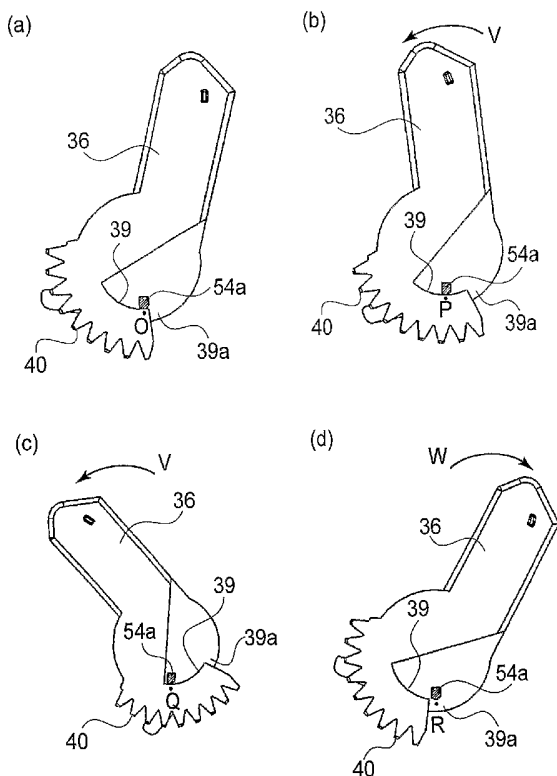
(10) International Publication Number
WO 2006/052005 A2

- (51) International Patent Classification:
G03G 15/08 (2006.01)
- (21) International Application Number:
PCT/JP2005/021066
- (22) International Filing Date:
10 November 2005 (10.11.2005)
- (25) Filing Language: English
- (26) Publication Language: English
- (30) Priority Data:
2004-328680 12 November 2004 (12.11.2004) JP
- (71) Applicant (for all designated States except US): CANON KABUSHIKI KAISHA [JP/JP]; 30-2, Shimomaruko 3-chome, Ohta-ku, Tokyo 146-8501 (JP).
- (72) Inventors; and
- (75) Inventors/Applicants (for US only): SASAE, Kazuyoshi [JP/JP]; 5-15-9-101, Hongo, Toride-shi, Ibaraki 302-0022 (JP). NAKAJIMA, Nobuo [JP/JP]; 1-5-11-I-102, Higashikashiwa, Kashiwa-shi, Chiba 277-0017 (JP). TAZAWA, Fumio [JP/JP]; 1191-188, Matsugasaki, Kashiwa-shi, Chiba 277-0835 (JP).
- (74) Agent: YAMADA, Ryuichi; Toko International Patent Office, Hasegawa Bldg. 4F, 7-7, Toranomom 3-chome, Minato-ku, Tokyo 105-0001 (JP).
- (81) Designated States (unless otherwise indicated, for every kind of national protection available): AE, AG, AL, AM, AT, AU, AZ, BA, BB, BG, BR, BW, BY, BZ, CA, CH, CN, CO, CR, CU, CZ, DE, DK, DM, DZ, EC, EE, EG, ES, FI, GB, GD, GE, GH, GM, HR, HU, ID, IL, IN, IS, KE, KG, KM, KN, KP, KR, KZ, LC, LK, LR, LS, LT, LU, LV, LY, MA, MD, MG, MK, MN, MW, MX, MZ, NA, NG, NI, NO, NZ, OM, PG, PH, PL, PT, RO, RU, SC, SD, SE, SG, SK, SL, SM, SY, TJ, TM, TN, TR, TT, TZ, UA, UG, US, UZ, VC, VN, YU, ZA, ZM, ZW.
- (84) Designated States (unless otherwise indicated, for every kind of regional protection available): ARIPO (BW, GH, GM, KE, LS, MW, MZ, NA, SD, SL, SZ, TZ, UG, ZM, ZW), Eurasian (AM, AZ, BY, KG, KZ, MD, RU, TJ, TM), European (AT, BE, BG, CH, CY, CZ, DE, DK, EE, ES, FI, FR, GB, GR, HU, IE, IS, IT, LT, LU, LV, MC, NL, PL, PT, RO, SE, SI, SK, TR), OAPI (BF, BJ, CF, CG, CI, CM, GA, GN, GQ, GW, ML, MR, NE, SN, TD, TG).

Published:
— without international search report and to be republished upon receipt of that report

[Continued on next page]

(54) Title: DEVELOPER SUPPLY CONTAINER AND IMAGE FORMING APPARATUS



(57) Abstract: A developer supply container detachably mountable to a main assembly of an image forming apparatus includes a developer containing portion for containing a developer; a developer discharge opening disposed at the developer containing portion; a container-side engaging portion for fixing the developer containing portion by being engaged with a main assembly-side engaging portion provided in the main assembly in the mounted state of the container; an operation member capable of performing a moving operation in the mounted state of the container; and a transmitting portion, provided in the operation member, for transmitting a driving force for opening and closing the developer discharge opening to a relay portion provided in the main assembly. In the mounted state of the container, the operation member is capable of opening and closing a main assembly shutter member, provided in the main assembly, for opening and closing the developer discharge opening through the relay portion. The container-side engaging portion is movable by movement of the operation member so that it retains engagement thereof with the main assembly-side engaging portion when the operation member is moved in an opening direction for opening the main assembly shutter member and so that it releases the engagement when the operation member is moved in a closing direction for closing the main assembly shutter member. A position of the operation member when the container-side engaging portion is located in a position to release the engagement is away, in the closing direction, from a position thereof when the container-side engaging portion is located in a position to be engaged with the main assembly-side engaging portion during mounting of the container.

WO 2006/052005 A2



For two-letter codes and other abbreviations, refer to the "Guidance Notes on Codes and Abbreviations" appearing at the beginning of each regular issue of the PCT Gazette.

DESCRIPTION

DEVELOPER SUPPLY CONTAINER AND
IMAGE FORMING APPARATUS

5

[TECHNICAL FIELD]

The present invention relates to a developer supply container for supplying a powdery developer to an electrophotographic image forming apparatus for forming an image with the developer, and the image forming apparatus using the developer supply container.

10

[BACKGROUND ART]

The electrophotographic image forming apparatus is an image forming apparatus for forming an image on a recording medium in accordance with an electrophotographic image forming method. Examples of the electrophotographic image forming apparatus may include an electrophotographic copying machine, electrophotographic printers (such as a laser beam printer and an LED printer), a facsimile apparatus, a word processor, etc.

20

In the image forming apparatus such as the electrophotographic copying machine, the laser beam printer, etc., a latent image is formed by selectively exposing an electrically uniformly charged surface of a photosensitive drum to light and is developed with a

25

developer to form a developer image. Then, the developer image is transferred onto a recording medium to effect image recording. In such an image forming apparatus, the developer is required to be supplied every time the developer is used up. Here, a developer supply container for supplying the developer to the image forming apparatus is roughly classified into a so-called simultaneous supply-type developer supply container which supply the whole amount of developer contained in the developer supply container to a developer receiving container of a main assembly of the image forming apparatus at the same time and a stationary-type developer supply container which is mounted into the image forming apparatus main assembly, left standing as it is, and gradually supplies the developer to a developing apparatus until the developer is used up.

Particularly, in recent years, from the viewpoints of contamination during supply of the developer and operability, many proposals for the latter stationary-type developer supply container have been made. In the case where a developer in an image forming apparatus is consumed, a developer supply container (hereinafter also referred to as a "toner cartridge") is replaced by demounting it from the image forming apparatus and mounting a new one into the image forming apparatus, so that (fresh) toner is

supplied to the image forming apparatus.

The toner as the developer is very fine powder, so that there has arisen such a problem that the toner scatters from a minute spacing between constitutional parts due to operational vibrations or the like during a toner supply operation, thus contaminating a user or surrounding parts with the toner. For this reason, such a method that a developer supply container is mounted inside a main assembly of image forming apparatus and toner is discharged little by little from a small opening has been proposed and put into practical use. In such a method, it is difficult to discharge the toner naturally by the action of gravity or the like, so that the image forming apparatus is generally provided with any toner stirring conveyance means.

Further, below the toner cartridge (developer supply container), the image forming apparatus is provided with a buffer portion, as a toner containing portion, for temporarily storing the toner. Inside the buffer portion, a metering screw for stirring the toner and feeding a predetermined amount of toner corresponding to a degree of rotation and a conveyance screw, disposed downstream from the metering screw, for conveying the toner by being rotated always during recording (image formation) are disposed so as to supply a necessary amount of toner to a process

cartridge.

In the case where all the amounts of toner in the toner cartridge are discharged into the buffer portion to empty the toner cartridge in the above
5 described image forming apparatus, the image forming apparatus detects the empty of the toner cartridge and provides notification, to a user, that the developer supply container should be replaced with new one. In accordance with this notification, the user removes
10 the (old) empty developer supply container from the image forming apparatus and inserts a new developer supply container into the image forming apparatus in place of the empty developer supply container, so that the image forming apparatus is capable of further
15 continuing an image forming operation.

Japanese Laid-Open Patent Application No. 2000-162861 has disclosed, as an example of a conventional developer supply container, such a
constitution that a shutter of a developer supply
20 container is opened and closed through a rotational force transmission member provided in a main assembly of an image forming apparatus, as shown in Figures 13 and 14.

Referring to Figure 13, an image forming
25 apparatus is provided with an open/close portion 501 at a side surface of an main assembly 500 of the image forming apparatus, so that a developer supply

container (toner cartridge) 600 is mounted and demounted from the side surface of the image forming apparatus. The toner cartridge 600 has, as shown in Figure 14(a), a developer discharge opening 601 (Figure 15) sealed or covered with a container shutter 602. The container shutter 602 is constituted so that it is not readily opened even when a user rotationally moves it in a simple one direction outside the main assembly, thus preventing toner from contaminating surrounding parts or portions due to erroneous leakage.

Further, as shown in Figure 14(b), when the toner cartridge 600 is mounted into the main assembly 500 of the image forming apparatus, a driving force is transmitted from a driving force transmission portion 603a of a knob 603 provided to the toner cartridge 600 to a driving force receiving portion 602a of the container shutter 602 through a driving force relay portion 502 provided in the apparatus main assembly by rotationally driving the knob 603 of the toner cartridge 600, so that the container shutter 602 is moved apart from a toner discharge opening.

Incidentally, in Figures 14(a) and 14(b), the toner cartridge 600 is depicted upside down for convenience of explanation. Accordingly, during actual mounting of the toner cartridge 600, an upper surface of the toner cartridge 600 shown in these figures is located at a lower surface thereof in the actual mounted state.

Further, as shown in Figure 15, a buffer portion 503 of the apparatus main assembly 500 is provided with a developer receiving opening 504 opposite to the developer discharge opening 504 is provided with an apparatus shutter 505 for preventing contamination when the toner cartridge 600 is not mounted. The container shutter 602 and the apparatus shutter 505 are engaged with each other by mounting the toner cartridge 600 into the main assembly 500 to perform an open/close operation in an integrated state. Accordingly, by rotating the knob 603, the container shutter 602 and the main assembly shutter 505 can be opened simultaneously to cause the toner container 600 and the buffer portion 503 to communicate with each other to create a toner suppliable state. Further, when the toner container 600 is demounted from the apparatus main assembly 500, the toner container 600 is pulled out after the container shutter 602 and the main assembly shutter 505 are closed by rotating the knob 603. When the toner container 600 is capable of being demounted in such a state that the main assembly shutter 505 is not completely closed, the developer receiving opening 504 is placed in an incomplete closing state, so that contaminant or the like enters the buffer portion. As a result, there is a possibility that a photosensitive drum is damaged to adversely affect an image.

In the constitution as described above, as a driving force transmission mechanism, gears are ordinarily used. For this reason, an idling period is generated by the time rotation members start to transmit a driving force to each other when the container shutter is rotated by the knob from the opened state toward a closing direction. This is because there is backlash between the gears. More specifically, with reference to Figures 16(A) to 16(c), when the knob 603 is rotated, a gear of the driving force transmission receiving portion 602a is rotated in a direction of an arrow E to rotate a gear of the driving force relay portion 502 in a direction of an arrow G. As a result, when the container shutter 602 is opened, as shown in Figure 16(a), an addendum K and an addendum K are stopped in a contact state due to sliding resistance such a reaction force from a seal in contact with the container shutter 602 under pressure. This contact state is retained during recording (image formation) but when the knob 603 is rotated in an opposite direction in order to close the container shutter 602 to rotate a gear of the driving force transmitting portion 603a in a direction of an arrow F, only the gear of the driving force transmitting portion is rotated to start separation of the addendums K and M from each other as shown in Figure 16(b). Thereafter, as shown in Figure 16(c), an

addendum L and the addendum K come in contact with each other. During this period, the driving force cannot be transmitted from the driving force transmitting portion 603a to the driving force relay portion 502. By further rotating the driving force transmitting portion 603a in the direction of the arrow F, the driving force transmitting portion 603a starts to transmit the gear of the driving force relay portion 502.

10 With respect to the above constituted toner container 600, as shown in Figure 14(b), three or four drive gears are ordinarily provided. At an engaging portion between respective gears, loss by the backlash is caused to occur to lead to a non-negligible
15 deviation as a whole. As a result, even when the knob 603 is returned to the original position, such a phenomenon that the container shutter 602 and the main assembly shutter 505 are not returned to their original positions is caused to occur. For this reason,
20 the knob 603 provided to the toner container 600 has been conventionally constituted so that the container shutter 602 and the main assembly shutter 505 can be restored to their original positions by providing the knob 603 with such a structure that it can be much
25 rotated in a shutter close direction compared with a shutter open direction.

Incidentally, demands for a further reduction

in mounting space of the main assembly of image forming apparatus and an improvement in operability have been still increased, so that arrangement of consumable articles such as the developer supply container (toner cartridge) and a removal direction of the developer supply container are of increasing importance. For the reduction in mounting space, it is effective to set the removal direction of the consumable article and an access direction into the main assembly such as a housing open/close direction during clearance of paper jam as uniform as possible. As a result, the apparatus main assembly is provided with a side surface free from an open/close door, so that there is no need to ensure a space for opening and closing the door at the side surface at the time of mounting the image forming apparatus, thus being very effective for space saving. Further, a single function printer having no image reading mechanism is improved in operability by setting the consumable article removal direction as an upward direction of the main assembly since the image reading mechanism covering an upper portion of the image forming apparatus is not employed.

In view of this point, e.g., as shown in Figures 2(a) and 2(b), it can be considered that an image forming apparatus is provided with a toner cartridge cover 23 at an upper surface thereof and a

toner cartridge 31 is mounted from above the image forming apparatus. With respect to the toner cartridge 31, it can be considered that an unshown container shutter and an unshown apparatus shutter are opened
5 and closed by rotationally driving a handle 36 in place of the knob 603.

Even in the case where such a constitution is employed, similarly as in the case of the conventional toner container 600 inserted from a side surface of
10 the apparatus main assembly, there arises the backlash problem. For this reason, it is necessary to adopt such a constitution that the toner container 31 cannot be removed until the main assembly shutter and the container shutter are closed with reliability.
15 Particularly, with respect to the main assembly shutter, there is a possibility that the deviation of the shutter resulting from the backlash is accumulated when the shutter is closed plural times in repetitive use even when the deviation by one closing operation
20 is within an allowance. For this reason, during repetition of replacement of the toner container 31, there are possibilities that the developer receiving opening cannot be finally closed and that the container shutter and the main assembly shutter cannot
25 be engaged with each other in order to ensure conjunction of the container shutter with the main assembly shutter. Accordingly, return of the main

assembly shutter to the original position should be observed carefully.

Further, in order to realize size reduction of the image forming apparatus as a whole, when the
5 respective toner containers 31 are disposed closely, a size of the handle 36 is restricted, so that an amount of rotational movement of the toner container is also restricted. For this reason, in order to ensure the same amount of rotational movement for each mounting
10 of the toner container 31, it is necessary to engage the toner container 31 with the gear drive mechanism of the apparatus main assembly while retaining an initial position of the handle 36. Accordingly, it is necessary to dispose an axial direction of the handle
15 36 to be perpendicular to the insertion direction of the toner container 31 and dispose the drive mechanism of the apparatus main assembly to be substantially under the toner container 31 (downstream in the insertion direction of the developer supply container).
20 In that case, a force is exerted on the gear drive mechanism in such a direction that the gears are separated from each other, i.e., that the toner container 31 is pulled out. Thus, it is necessary to provide such a constitution that the toner container
25 31 can be held simply with reliability. Incidentally, the conventional toner container 600 had the insertion direction, thereof into the apparatus main assembly,

identical to the rotational axis direction of the knob
603, so that it was possible to easily hold the toner
container 600 with respect to a force for separating
the gears from each other, i.e., a force exerted in a
5 vertical direction of the rotational axis of the
rotation member by holding a guide rail 604 of the
toner container 600 with a main assembly guide 506.

When the above described opening and closing
mechanism of the shutters and the holding mechanism of
10 the toner container 31 are intended to be realized as
an automatic control mechanism, an increase in
production cost is caused to occur. Further, when the
respective operations for opening and closing the
shutters and for holding the developer supply
15 container are intended to be performed manually, the
number of steps for performing replacement operation
of the developer supply container is increased, so
that there is a possibility that the increased steps
lead to a poor operability.

20

[DISCLOSURE OF THE INVENTION]

An object of the present invention is to
provide a developer supply container, detachably
mountable to a main assembly of an image forming
25 apparatus, capable of returning a main assembly
shutter to an initial position with reliability during
removal thereof and capable of being mounted and

demounted reliably and simply.

Another object of the present invention is to provide an image forming apparatus to which the developer supply container is detachably mountable.

5 According to an aspect of the present invention, there is provided a developer supply container detachably mountable to a main assembly of an electrophotographic image forming apparatus, comprising:

10 a developer containing portion for containing a developer;

 a developer discharge opening to be disposed opposite to a developer receiving opening provided in the apparatus main assembly when the developer supply
15 container is mounted into the apparatus main assembly;

 a container-side engaging portion for fixing the developer containing portion by being engaged with a main assembly-side engaging portion provided in the apparatus main assembly when the developer supply
20 container is mounted into the apparatus main assembly;

 an operation member capable of performing a moving operation in a mounted state of the developer supply container; and

 a transmitting portion, provided in the
25 operation member, for transmitting a driving force for opening and closing the developer discharge opening to a relay portion, provided in the apparatus main

assembly, for opening and closing the developer discharge opening;

wherein, in the mounted state of the developer supply container, the operation member is capable of opening and closing a main assembly shutter member, provided in the apparatus main assembly, for opening and closing the developer discharge opening through the relay portion;

wherein the container-side engaging portion is movable by movement of the operation member so that it retains engagement thereof with the main assembly-side engaging portion when the operation member is moved in a opening direction for opening the main assembly shutter member and so that it releases the engagement with the main assembly-side engaging portion when the operation member is moved in a closing direction for closing the main assembly shutter member; and

wherein a position of the operation member when the container-side engaging portion is located in a position to release the engagement with the main assembly-side engaging portion is away, in the closing direction, from a position thereof when the container-side engaging portion is located in a position to be engaged with the main assembly-side engaging portion during mounting of the developer supply container.

According to another aspect of the present

invention, there is provided an electrophotographic image forming apparatus having a main assembly to which a developer supply container is detachably mountable, the image forming apparatus, comprising:

5 a developer receiving opening to be disposed opposite to a developer discharge opening of the developer supply container to be mounted;

 a main assembly shutter member for opening and closing the developer receiving opening;

10 a main assembly-side engaging portion for being engaged with a container-side engaging portion of the developer discharge opening of the developer supply container to be mounted; and

 a relay portion, connected with a transmitting portion which is provided in an operation member of the developer supply container so as to transmit a driving force for opening and closing the developer discharge opening, for transmitting a driving force for opening and closing the developer receiving opening to the main assembly shutter member;

 wherein, in the mounted state of the developer supply container, the operation member is moved to transmit the driving force from the transmitting portion to the a main assembly shutter member, through the relay portion to enable an operation for opening and closing the main assembly shutter member;

 wherein the container-side engaging portion is

movable by movement of the operation member so that it retains engagement thereof with the main assembly-side engaging portion when the operation member is moved in a opening direction for opening the main assembly shutter member and so that it releases the engagement with the main assembly-side engaging portion when the operation member is moved in a closing direction for closing the main assembly shutter member; and

wherein a position of the operation member when the container-side engaging portion is located in a position to release the engagement with the main assembly-side engaging portion is away , in the closing direction, from a position thereof when the container-side engaging portion is located in a position to be engaged with the main assembly-side engaging portion during mounting of the developer supply container.

These and other objects, features and advantages of the present invention will become more apparent upon a consideration of the following description of the preferred embodiments of the present invention taken in conjunction with the accompanying drawings.

[BRIEF DESCRIPTION OF THE DRAWINGS]

Figures 1(a) and 1(b) are schematic explanatory views of a main assembly of an image

forming apparatus.

Figures 2(a) and 2(b) are external perspective views of the image forming apparatus main assembly.

Figures 3(a) and 3(b) are perspective views of a toner cartridge including a front surface thereof, and Figure 3(c) is a sectional view of the toner cartridge.

Figures 4(a) and 4(b) are rear views of the toner cartridge.

Figures 5(a) and 5(b) are explanatory views of rotational movement of a handle of the toner cartridge.

Figures 6(a) and 6(b) are schematic views for illustrating a driving force transmitting mechanism.

Figures 7(a) and 7(b) are explanatory views of a toner supply apparatus frame member of the image forming apparatus main assembly.

Figures 8(a), 8(b) and 8(c) are schematic views for illustrating a mounting operation of a developer supply container.

Figures 9(a), 9(b) and 9(c) are schematic views for illustrating a lock release mechanism of the handle.

Figures 10(a) to 10(d) are schematic views for illustrating a relationship between an amount of rotational movement.

Figures 11(a), 11(b) and 11(c) are schematic views for illustrating a shutter.

Figure 12 is a schematic view for illustrating an amount of rotational movement and an operation of the shutter.

Figure 13 is an explanatory view of a
5 conventional image forming apparatus.

Figures 14(a) and 14(b) are explanatory views of a conventional developer supply container.

Figure 15 is a sectional view for illustrating a mounted state of the conventional developer supply
10 container.

Figures 16(a), 16(b) and 16(c) are schematic views for illustrating backlash of gears.

[BEST MODE FOR CARRYING TO THE INVENTION]

15 Embodiments of a developer supply container and an image forming apparatus according to the present invention will be described with reference to the drawings.

(General structure)

20 A main assembly 100 of an image forming apparatus according to this embodiment and a developer supply container to be mounted into the image forming apparatus main assembly 100 will be described with reference to the drawings. First, a general structure
25 of the image forming apparatus main assembly 100 will be described with reference to Figures 1 and 2. Figure 1(a) is a schematic sectional view of the image

forming apparatus main assembly 100 of this embodiment as seen in a left side surface of the image forming apparatus; Figure 1(b) is a conceptual view showing a conveyance process of developer from the developer supply container to the image forming apparatus main assembly 100; Figure 2(a) is an external perspective view of the image forming apparatus main assembly 100; and Figure 2(b) is an external perspective view for illustrating a state of the image forming apparatus main assembly 100 during replacement of the developer supply container.

In Figure 1(a), a front surface of the image forming apparatus is located on a right side on the drawing. Further, as shown in Figure 2(a), the image forming apparatus is provided with a display operation portion 24 at an upper portion thereof, so that a housing cover 21, a sheet (paper) feeding cassette 13, and the like for releasing a conveyance path for paper jam treatment are operable from the front surface of the image forming apparatus.

Inside the image forming apparatus, as shown in Figure 1(a), four photosensitive drums 1a, 1b, 1c and 1d as image bearing members for respective colors are disposed and from which respective color images are transferred onto an intermediary transfer belt 6 as an intermediary transfer belt 6 in a superposition manner, thus providing a full-color image. Accordingly,

the image forming apparatus is a four drum-type (in-line) printer and achieves high speed by utilizing the four drums. The photosensitive drums 1a to 1d and developing devices 3a to 3d are disposed, in series in a substantially horizontal direction, vertically below the intermediary transfer belt 6, and are used for forming images of yellow, magenta, cyan, and black, respectively. A toner cartridge (e.g., a toner cartridge 31) as an example of each of developer supply containers for supplying developer to the developing devices 3a to 3d, respectively, is constituted so that it can be replaced from above the image forming apparatus. A surface of each of the photosensitive drums 1a to 1d is electrically charged uniformly by an associated one of charging apparatuses 2a to 2d. Thereafter, on the surface of each photosensitive drum, a latent image is formed by an associated one of exposure apparatuses 4a to 4d and is developed with developer to form an associated color toner image. The resultant four color toner images formed on the (four) photosensitive drums 1a to 1d are primary-transferred onto the intermediary transfer belt 6 in a superposition manner by primary transfer rollers 5a to 5d, respectively, thus forming a (full-) color toner image. The intermediary transfer belt 6 is extended under tension around a drive roller 7, a follower roller 8, and a tension roller 9 and are

rotated around these rollers. The toner image on the intermediary transfer belt 6 is secondary-transferred onto a sheet by a secondary transfer roller 10. The sheet has been feed from a sheet feeding cassette 13
5 by a pickup roller 14 and conveyed to a secondary transfer portion while being timed to rotation of the intermediary transfer belt 6 by a pair of registration rollers 15. The sheet onto which the color toner image is transferred is subjected to application of heat and
10 pressure by a fixing device 11 to fix the color toner image thereon, followed by discharge out of the image forming apparatus.

Four toner cartridges 31 into which fresh developers of four colors are filled, respectively,
15 are mounted into the image forming apparatus main assembly 100. As shown in Figure 1(b), inside of each toner cartridge 31, a stirring member 37, as described specifically later with reference to Figure 3(c), is disposed and is rotated to permit discharge of
20 developer from a developer discharge opening 30 of the toner cartridge 31. As a result, the developer is accumulated in a buffer portion 42. Below the buffer portion 42, a developer metering screw 43 and a conveyance screw 44 are disposed so as to convey the
25 developer in the buffer portion 42 into a process cartridge. An amount of the developer fed by the developer metering screw 43 is divided into a

plurality of portions equal in amount to each other at a space between a screw pitch and a pipe, so that it is possible to adjust a discharge amount of developer by an amount of rotation of the developer metering screw 43. The rotation amount of the developer metering screw 43 is determined from a video count value on the basis of a predetermined table, so that an appropriate amount of toner is discharged from the developer metering screw 43. During recording (image formation), the toner is fed into the developing device 3 by the conveyance screw 44 which is always rotating. Further, depending on the rotation amount of the developer metering screw 43, the stirring member 37 of the toner cartridge 31 is rotated, so that toner is supplied from the toner cartridge 31 to the buffer portion 42 to keep the amount of toner in the buffer portion 42 at a constant level.

At the buffer portion 42, an unshown toner sensor is disposed and sends a signal to a controller portion when the toner in the toner cartridge 31 is used up and is not discharged into the buffer portion 42 and thus the toner in the buffer portion 42 is used up, so that notification that a developer supply container for which color is emptied out is provided to a user. The user opens a cartridge cover 23 of the main assembly 100 in Y direction on the basis of the information from the main assembly 100 and takes the

empty toner cartridge 31 out of the main assembly 100 in Z direction, and then mounts a new toner cartridge 31 in the main assembly 100. Thereafter, when the cartridge cover 23 is closed, a driving force is
5 transmitted to the stirring member of the toner cartridge 31 on the basis of a signal from the controller portion, so that the inside of the buffer portion is refilled with toner to be returned to a recordable state.

10 Further, each of the photosensitive drums 1a to 1d is constituted so as a process cartridge detachably mountable to the image forming apparatus main assembly. The process cartridge may include
15 either one of the primary charge roller and the developing device, in addition to the photosensitive drum. In this embodiment, the photosensitive drum 1, the charging apparatus 2, and the developing device 3 are integrally disposed in the process cartridge. At
20 an upper surface of the image forming apparatus, an openable and closable top cover 16 is disposed so as to permit replacement of the process cartridge integrally supporting the photosensitive drum, the developing device 3, and the like, and replacement of the intermediary transfer belt 6.

25 Here, as described above, with a demand for reduction in mounting space in a user office, the image forming apparatus main assembly 100 is required

to be designed as a compact one, so that the above described respective members have to be designed to be compact in size and have to be disposed efficiently. Particularly, in the full-color image forming apparatus as in this embodiment, it is important to perform more efficient design since the toner cartridge 31, a developer supply container mounting portion 17 for mounting the toner cartridge 31 described later, the driving force transmitting mechanism, and the like are disposed four by four.

Further, in the image forming apparatus main assembly 100 in this embodiment, the design is performed in view of space saving with respect to not only the mounting space when the image forming apparatus main assembly 100 is mounted but also spaces (such as a space for opening the cover the main assembly and a space for mounting the toner cartridge 31) necessary to replace the toner cartridge 31.

Further, as shown in Figure 2(b), a method of inserting the toner cartridge 31 from above the image forming apparatus main assembly 100 is adopted. (Developer supply container)

Next, the toner cartridge 31 of this embodiment will be described with reference to the drawings. Figures 3(a) and 3(b) are perspective views of a toner cartridge including a front surface thereof, and Figure 3(c) is a sectional view of the toner

cartridge. Figures 4(a) and 4(b) are rear views of the toner cartridge. Figures 5(a) and 5(b) are explanatory views of rotational movement of a handle of the toner cartridge. Figures 6(a) and 6(b) are schematic views
5 for illustrating a driving force transmitting mechanism. Figures 7(a) and 7(b) are explanatory views of a toner supply apparatus frame member of the image forming apparatus main assembly. Figures 8(a), 8(b) and 8(c) are schematic views for illustrating a
10 mounting operation of a developer supply container. Figures 9(a), 9(b) and 9(c) are schematic views for illustrating a lock release mechanism of the handle. Figures 10(a) to 10(d) are schematic views for illustrating a relationship between an amount of
15 rotational movement. Figures 11(a), 11(b) and 11(c) are schematic views for illustrating a shutter. Figure 12 is a schematic view for illustrating an amount of rotational movement and an operation of the shutter.

The toner cartridge 31 is mounted into the
20 image forming apparatus main assembly 100 and gradually supplies developer to a portion to be supplied with the developer while being mounted as it is, thus being of a so-called stationary type. Incidentally, the toner cartridge 31 is mounted, at a
25 position as shown in Figure 2(b), to the image forming apparatus main assembly 100.

The toner cartridge 31 is, as shown in Figure

3(a), provided with a handle 36 as an example of an operation member, a shutter rail 34, and a container shutter 32 slidable along the shutter rail 34. A toner container 31a is prepared by bonding a cover portion 31b thereto by a conventionally known means such as ultrasonic welding. As shown in Figure 4(b), at a lower portion of the toner container 31b, a developer discharge opening 30 for supplying the developer is provided and a seal 48 is disposed so as to surround the developer discharge opening 48. Accordingly, when the container shutter 32 covers the developer discharge opening 30, a gap between the neighborhood of the developer discharge opening 30 and the container shutter 32 is sealed with the seal 48.

Inside the toner container 31a, as shown in Figure 3(c), a stirring member 37 is disposed. The stirring member 37 is provided with a stirring blade 37c which is attached to a stirring shaft 37a and is rotated to function as means for feeding toner contained in the toner container 31a from the developer discharge opening. The stirring shaft 37a is disposed in a direction perpendicular to the insertion direction of the toner cartridge 31 and one end thereof is protruded out of the toner cartridge and provided with a stirring gear 49. The stirring gear 49 is engaged with a stirring drive mechanism 20 provided in the apparatus main assembly when the toner

cartridge 31 is mounted into the main assembly, thus transmitting a driving force. The stirring drive mechanism 20 is a driving force transmitting mechanism comprising a gear train, and the stirring gear 49
5 comes close thereto from a direction perpendicular to the rotational axis, i.e., a direction perpendicular to a facewidth direction, and is engaged with the stirring drive mechanism 20.

To the container shutter 32, as shown in
10 Figure 4(a), a shutter lock 46 as an example of a container shutter locking portion is provided. In such a state that the toner cartridge 31 is not mounted into the apparatus main assembly, the shutter lock 46 is engaged with a shutter lock receiving portion 28,
15 so that toner is not leaked out of the toner container due to the open of the container shutter 32 even when the container shutter 32 is erroneously slid in an open direction (indicated by an arrow X) by a user. Incidentally, the shutter lock 46 interferes with a
20 shutter lock release projection 55 when the toner cartridge 31 is mounted into the image forming apparatus main assembly 100 (Figure 7(a)), so that the shutter lock 46 is moved upward to release the engagement with the shutter lock receiving portion 28
25 as shown in Figure 7(b), thus permitting movement of the container shutter 32.

The handle 36 is, as shown in Figures 3(a) and

4(a), axially supported at both side surfaces of the toner container 31a and can be rotationally moved in an open direction (arrow V direction) and a close direction (arrow W direction). However, as shown in
5 Figure 5(b), a grip portion 36 of the handle 36 abuts against a container grip 35 at an upper portion of the toner container 31a, so that a rotational movement angle is restricted. Further, as shown in Figure 3(a), in the state that the toner cartridge 31 is not
10 mounted into the apparatus main assembly, a handle lock 38 as an example of a lock means is held by an upper receiving portion 33, so that the handle 36 is fixed at a predetermined angle. The fixed position is an initial position of the handle 36 and as shown in
15 Figure 5(a), the handle 36 is set to be capable of being rotationally moved in both the V and W directions.

Further, the handle 36 is, as shown in Figure 4(a), provided with a transmitting portion 40, for
20 transmitting a driving force for opening and closing the developer discharge opening, comprising gears. The driving force transmitting portion 40 is, as shown in Figure 5(a), engaged with a relay portion 19, for transmitting the driving force for opening and closing
25 the developer discharge opening, provided in the apparatus main assembly to transmit the driving force to the driving force relay portion 19. The driving

force relay portion 19 is a driving force transmitting mechanism comprising a gear train, and comes close to an idler gear 19a from a direction perpendicular to the rotational axis, i.e., a direction perpendicular to the face width direction, to be engaged with the idler gear 19a. The idler gear 19a is connected to a portion 32a, for receiving the driving force for opening and closing the developer discharge opening, provided in the container shutter 32, through a small stepped gear 19b and a large stepped gear 19c, thus transmitting the movement of the handle 36 as an open and close motion of the container shutter 32.

Further, the handle 36 is provided with a handle rail 39 as an example of a container-side engaging portion as shown in Figure 3(a) and Figures 4(a) and 4(b). The handle rail 39 is a stepped member shaped in an arc around the rotational movement axis of the handle 36 and is engaged with projections 53a and 54a as an example of a main assembly-side engaging portion provided in the apparatus main assembly, thus fixing and holding the toner cartridge 31 with respect to the image forming apparatus main assembly. These projections 53a and 54a are disposed at ends of base portions 53b and 54b which are integrally formed with a toner supply apparatus frame 55 as shown in Figures 7(a) and 8(a). Each of the projections 53a and 54a has an inclined surface as an upper surface (on an

upstream side in the toner cartridge 31 insertion direction) and a surface substantially perpendicular to the insertion direction as a lower surface (on a downstream side in the insertion direction).

5 Operations and conditions of the handle rail 39 and the projections 53a and 54a will be described later in detail.

At an outer peripheral surface of the container shutter 32, as shown in Figure 3(b), an
10 engaging boss 45 is disposed so that it protrudes from the surface of the container shutter 32. On the other hand, the apparatus shutter 52 provided in the apparatus main assembly is provided with an engaging hole 52b for being engaged with the engaging boss 45
15 during the mounting of the toner cartridge 31 as shown in Figure 7(a). As shown in Figures 11(a) to 11(c), the container shutter 32 and the apparatus shutter 52 cooperate in performing an open/close operation, so that three openings including a developer receiving
20 opening 57 provided in the toner supply apparatus frame 55 of the apparatus main assembly, a toner supply opening 52a provided in the apparatus shutter 52, and the developer discharge opening 30 provided in the toner container 31a, communicate with each other.
25 As a result, supply of the toner is performed. Around the developer receiving opening 57, a main assembly opening seal 56 is provided, so that leakage of the

toner from a gap between the developer receiving opening 57 and the apparatus shutter 52.

<Operation during mounting of developer supply container>

5 An operation when the toner cartridge 31 is mounted will be described with reference to Figures 8(a) to 8(c).

 First, a user opens the toner cartridge cover 23 of the image forming apparatus main assembly 100 in the Y direction (Figure 2(a)). Then, as shown in Figure 8(a), the user grips the container grip 35 at the upper portion of the toner container and starts to insert the toner cartridge 31 from above the main assembly into the toner supply apparatus frame 55 of the main assembly in a direction of an arrow R. At this time, the handle 36 is interposed between an upper handle lock receiving portion 33b and a lower handle lock receiving portion 33c of the toner container to be fixed at an initial position.

20 As shown in Figure 8(b), the toner cartridge 31 is further inserted and when the inclined upper surfaces of the projections 53a and 54a contact the handle rail 39 of the handle 36, the base portions 53b and 54b of the projections 53a and 54a are elastically deformed. As a result, the projections 53a and 54a are moved outward in directions (indicated by arrows I and J), so that the toner cartridge 31 is inserted

smoothly.

Further, as shown in Figure 8(c), when the toner cartridge 31 is completely inserted, the projections 53a and 54a enter spaces above the handle rail 39 by a restoring force of the base portions 53b and 54b. As described above, by only such an operation that the toner cartridge 31 is fixed and held, so that the toner cartridge 31 is restricted in movement toward the removal direction. In this state, it is possible to regulated a center distance between the driving force transmitting portion 40 and the driving force relay portion 19 (Figure 6(a)) and a center distance between the stirring gear 49 and the gear of the stirring drive mechanism 20 (Figure 6(h)), so that the driving force transmission is performed with reliability.

In such a state that the toner cartridge 31 is only mounted, as shown in Figure 10(a), the handle 36 is located at an initial position, and the handle rail 29 and the projection 54a are in such a positional relationship that they are engaged with each other at a position O. The handle lock 38 is not released until immediately before the toner cartridge 31 is completely inserted into the toner supply apparatus, so that this positional relationship is always kept. On the other hand, as shown in Figure 7(b), the toner supply apparatus frame 55 of the apparatus main

assembly is provided with a handle lock release rib 55h for releasing lock with the handle lock 38. The handle lock release rib 55h abuts against the handle lock 38 during the insertion of the toner cartridge 31 as shown in Figure 3(b), so that an end of the handle lock 38 is bent toward the toner container 31a (in a direction of an arrow A1). As a result, the handle lock 38 is deviated from the handle lock receiving portion 33 to be released therefrom, so that the handle 36 is placed in a rotationally movable state.

An operation of the handle lock 38 at that time will be described with reference to Figures 9(a) to 9(c), wherein Figure 9(a) and 9(b) are schematic views of the handle lock 38 and the handle lock receiving portion 33 as seen in a direction from below these members, and Figure 9(c) is a schematic view of the neighborhood of the handle lock 38 as seen in the direction of the handle 36. Figure 9(a) shows a state that the handle 36 is locked. As shown in Figure 9(b), when the handle lock release rib 55h abuts against the handle lock 38 by the insertion of the toner cartridge 31, the end of the handle lock 38 is deformed toward a direction of an arrow A1 and is capable of entering a spacing between the toner container 31a and receiving portions 33b and 33c. More specifically, as shown in Figure 9(c), the handle lock 38 located at a portion 38-0 at the time of the handle release is moved to a

position 38-1 close to the toner container 31a, thus permitting rotation of the handle 36. At this time, as shown in Figure 11(a), the engaging boss 45 of the container shutter 32 is engaged with the engaging hole 52 of the main assembly shutter 52, so that these shutters are in an integrally operable state.

Further, by this inserting operation, a shutter lock 46 of the container shutter 32 is raised by a shutter lock release projection 55f in an upward direction (indicated by an arrow S shown in Figure 4(b)), so that the container shutter 32 is placed in an openable and closable state. Further, as shown in Figure 11(a), a lock release rib 47 (Figure 4(b)) provided to the container shutter 32 presses down on a lock 55a of the apparatus shutter 55 to release the lock 55a, thus placing also the apparatus shutter 55 in the openable and closable state.

Next, when the grip portion 36a is tilted toward a direction of an arrow V as shown in Figure 10(b), the driving force is transmitted from the driving force transmitting portion 40 through the driving force relay portion 19, so that the container shutter 32 and the apparatus shutter 52 start to rotationally move as shown in Figure 11(b). The handle rail 39 is arc-shaped and the projections 53a and 54a are disposed on a center line of rotational movement of the handle 36, so that the projections 53a and 54a

continue holding the handle rail 39 at a position P (Figure 10(b)). Lower ends of the projections 53a and 54a are formed in a bend shape, so that they can reduce a contact surface with the handle rail, thus decreasing a resistance during the rotation of the handle. Incidentally, in order to improve operability, it is also possible to provide small rollers at lower ends of the projections 53a and 54a to further decrease the rotation resistance. When the handle is rotated so that the handle lock 38 located at a position other than the positions of the receiving portions 33b and 33c, the handle lock 38 is restored from the elastically deformed state to a position 38-2 (Figure 9(c)).

As shown in Figure 10(c), when the grip is fully tilted toward the arrow V direction, the container shutter 32 and the apparatus shutter 52 are placed in a full open state as shown in Figure 11(c) to permit the supply of toner. In this state, the apparatus shutter 52 abuts against the abutting portion 55g provided to the toner supply apparatus frame 55 to be restricted in movement, and the handle 36 also reaches its limit of rotational movement. Also in this case, the projections 53a and 54a continue holding of the handle rail 39 at a position Q. Thereafter, when the cartridge cover 23 is closed, the image forming apparatus main assembly 100 is restored

to the recordable (image formable) state. As described above, by such a simple operation that the handle 36 is only rotated, the container shutter 32 and the apparatus shutter 52 are opened to place the image forming apparatus main assembly in the recordable state.

<Operation during removal of developer supply container>

When toner in the toner container 31a is used up and is not supplied from the developer discharge opening 30 to the buffer portion, a toner sensor at the buffer portion detects no toner and a cartridge replacement message is displayed. The user opens the cartridge cover 23 and performs the replacement of the toner cartridge 31.

More specifically, first, the user rotates the grip portion 36a in a direction of an arrow W in order to close the container shutter 32 of the toner cartridge 31 and the apparatus shutter 52. Then, by further rotating the handle 36 so that it exceeds the initial position shown in Figure 10(a), the projection 54a reaches a position R corresponding to a terminated portion 39a at which the handle rail 39 is terminated. As a result, the engagement of the projections 53a and 54a with the handle rail 39 is released, so that removal of the toner cartridge 31 becomes possible. Accordingly, in the case where the toner is emptied,

the shutters are closed by such a simple operation that the handle 36 is only rotated to place the toner cartridge 31 in a removal state.

Here, an amount of rotational movement of the
5 handle 36 will be described with reference to Figure 12.

Referring to Figure 12, an uppermost bar line represents whether the toner cartridge 31 is removable or unremoved, and second bar line represents the
10 amount of handle rotational movement during the open of the shutters. Symbols O, P and Q correspond to those representing the positional relationships between the handle 36 and the projection 54a shown in Figures 10(a), 10(b) and 10(c). When the shutters are
15 opened, the handle 36 is rotationally moved by B.

A third bar line represents the amount of handle rotational movement during the close of the shutters. As described above, the driving force is not transmitted in an amount corresponding to backlash of
20 the gear when the handle 36 starts to be moved, so that only the handle 36 is moved in an amount C. Further, the handle 36 is rotated in the amount B but the toner cartridge 31 cannot be removed since the projection 54a is engaged with the handle rail 39.
25 Then, when the handle 36 is further rotated in an amount D, the terminated portion 39a (position R) comes immediately under the projection 54a, so that it

is possible to remove the toner cartridge 31.

The amount of handle rotational movement (Q to R) in the shutter close direction is larger than the amount of handle rotational movement in the shutter open direction (O to Q). However, by setting a length of the handle rail corresponding to the amount (O to R) so that it is not less than that corresponding to backlash loss, it is possible to realize such a state that the toner cartridge 31 can be removed only after the container shutter 32 and the apparatus shutter 52 are returned to their original positions.

Further, as shown in Figure 9(c), at the upper surface of the upper receiving portion 33b of the handle lock receiving portion 33 is provided with an inclined surface, so that the handle lock 38 is naturally deformed along the inclined surface to enter a spacing 33a during the closer of the handle 36. Incidentally, the spacing 33a is also provided between the lower receiving portion 33c and the toner container 31a, so that the handle 36 can be further rotated when compared with the case of the initial position.

The handle 36 is, after the projections 53a and 54a reach the terminated portion 39a, stopped at such a further moved position at which an upper surface of the container grip 35 and a lower surface of the grip portion 36a run against each other. At

this time, the main assembly shutter lock 55a elastically restored to the original position to lock the apparatus shutter 52. By the above described constitution, it is possible to ensure that the
5 shutters are closed when the user removes the toner cartridge 31 from the image forming apparatus main assembly. By adopting such a constitution that the toner cartridge 31 cannot be taken out until the shutters are completely closed, it is possible to
10 prevent toner scattering from the toner container and accumulation of deviation of the shutters due to repetitive mounting and demounting of the toner cartridge.

Further, when the toner cartridge 31 is taken
15 out, the shutter lock 46 is not supplied with a pressing force from the shutter lock release projection 55f on the toner cartridge 31 side, so that the shutter lock 46 is elastically restored to the original position to be engaged with the shutter lock
20 receiving portion 28. As a result, it is possible to prevent the container shutter 32 from being accidentally opened, so that there is no worry that the toner in the container is scattered out, and handling of the toner cartridge outside the main
25 assembly becomes easy.

Further, at a lower portion below a center of the rotational movement of the handle 36, an abutting

portion 41 as an example of a container-side return means is provided (Figure 4(a)). On the other hand, a return abutting portion 55c as an example of a main assembly-side return means is provided on the main assembly side as shown in Figure 7(a). The abutting portion 41 abuts against the return abutting portion 55c when the toner cartridge 31 is taken out of the main assembly, so that the handle 36 is rotationally moved to restore its phase to the initial position. In this state, the handle lock 38 is elastically restored to the original position and enters the spacing (the position 38-0 in Figure 9(c)) between the upper and lower receiving portions 33b and 33c to be fixed. Accordingly, even when the same toner cartridge 31 is inserted again, the handle operation can be performed always under the same condition. Further, in such a state that the toner cartridge 31 is outside the main assembly, the handle 36 is always locked, so that it is possible to further improve the operability.

20

[INDUSTRIAL APPLICABILITY]

As described hereinabove, according to the present invention, in the image forming apparatus to which the developer supply container is inserted and removed therefrom in a direction perpendicular to the rotation axis of the drive mechanism, it is possible to return the main assembly shutter and the container

25

shutter to their initial positions with reliability during the removal of the developer supply container and to simply hold the developer supply container so as to transmit the driving force with reliability
5 during the mounting of the developer supply container.

Further, by employing such a constitution that the developer supply container is mounted and demounted in the vertical direction, it is not necessary to ensure a space for mounting and
10 demounting the developer supply container at a side surface of the apparatus main assembly. As a result, the image forming apparatus can be mounted in a state close to a wall surface of a room to permit effective utilization of a mounting space of the apparatus main
15 assembly. Particularly, a single function printer has no image reading portion, so that an opening and closing operation can easily be performed even when an opening and closing portion is provided on the apparatus main assembly. As a result, it is not
20 necessary to access a side surface of the printer main assembly, so that it is possible to perform a replacement operation of the developer supply container from a front surface side where an operation portion is provided. Thus, an operability can be
25 improved.

While the invention has been described with reference to the structures disclosed herein, it is

not confined to the details set forth and this application is intended to cover such modifications or changes as may come within the purpose of the improvements or the scope of the following claims.

CLAIMS

1. A developer supply container detachably mountable to a main assembly of an electrophotographic image forming apparatus, comprising:
- 5 a developer containing portion for containing a developer;
- a developer discharge opening to be disposed opposite to a developer receiving opening provided in the apparatus main assembly when said developer supply container is mounted into the apparatus main assembly;
- 10 a container-side engaging portion for fixing said developer containing portion by being engaged with a main assembly-side engaging portion provided in the apparatus main assembly when said developer supply container is mounted into the apparatus main assembly;
- 15 an operation member capable of performing a moving operation in a mounted state of said developer supply container; and
- 20 a transmitting portion, provided in said operation member, for transmitting a driving force for opening and closing said developer discharge opening to a relay portion, provided in the apparatus main assembly, for opening and closing said developer discharge opening;
- 25 wherein, in the mounted state of said developer supply container, said operation member is

capable of opening and closing a main assembly shutter member, provided in the apparatus main assembly, for opening and closing said developer discharge opening through the relay portion;

5 wherein said container-side engaging portion is movable by movement of said operation member so that it retains engagement thereof with the main assembly-side engaging portion when said operation member is moved in a opening direction for opening the
10 main assembly shutter member and so that it releases the engagement with the main assembly-side engaging portion when said operation member is moved in a closing direction for closing the main assembly shutter member; and

15 wherein a position of said operation member when said container-side engaging portion is located in a position to release the engagement with the main assembly-side engaging portion is away, in the closing direction, from a position thereof when said
20 container-side engaging portion is located in a position to be engaged with the main assembly-side engaging portion during mounting of said developer supply container.

25 2. A container according to Claim 1, wherein said developer supply container further comprises a container shutter member for opening and closing said

developer discharge opening, and a transmission receiving portion for receiving a driving force, from the relay portion, for opening and closing said container shutter member, and

5 wherein said container shutter member is capable of being opened and closed in conjunction with the main assembly shutter member.

3. A container according to Claim 2, wherein said
10 container shutter member is provided with an engaging portion capable of being operated in conjunction with the main assembly shutter member by mounting said developer supply container into the apparatus main assembly to engage the engaging portion with the main
15 assembly shutter member.

4. A container according to Claim 1, wherein said operation member is movable in a rotational movement direction, and said developer supply container is
20 mounted into and demounted from the apparatus main assembly in a direction substantially perpendicular to a rotational movement axis of said operation member.

5. A container according to Claim 1, wherein the
25 main assembly-side engaging portion is a projecting retractably urged toward said developer supply container, and said container-side engaging portion

has a stepped portion which is provided with a terminated portion with respect to the main assembly-side engaging portion at the position to release the engagement with the main assembly-side engaging portion when the operation member is moved
5 toward the direction to close the main assembly shutter member.

6. A container according to Claim 2, wherein said
10 developer supply container further comprises a container shutter engaging portion for engaging said container shutter member with said developer containing portion, and the engagement of said container shutter engaging portion is released by
15 mounting said developer supply container into the apparatus main assembly.

7. A container according to Claim 1, wherein said
20 developer supply container further comprises a lock portion for engaging said operation member and an engaged state of said lock portion is released by mounting of said developer supply container.

8. A container according to Claim 7, wherein said
25 developer supply container further comprises a container-side restore portion, provided to a part of said operation member, for abutting against a part of

the apparatus main assembly to move said operation member to a locked position by said lock portion when said developer supply container is removed from the apparatus main assembly.

5

9. An electrophotographic image forming apparatus having a main assembly to which a developer supply container is detachably mountable, said image forming apparatus, comprising:

10 a developer receiving opening to be disposed opposite to a developer discharge opening of the developer supply container to be mounted;

a main assembly shutter member for opening and closing said developer receiving opening;

15 a main assembly-side engaging portion for being engaged with a container-side engaging portion of the developer discharge opening of the developer supply container to be mounted; and

a relay portion, connected with a transmitting portion which is provided in an operation member of the developer supply container so as to transmit a driving force for opening and closing the developer discharge opening, for transmitting a driving force for opening and closing said developer receiving opening to the main assembly shutter member;

20

25

wherein, in the mounted state of the developer supply container, said operation member is moved to

transmit the driving force from the transmitting portion to said a main assembly shutter member, through said relay portion to enable an operation for opening and closing said main assembly shutter member;

5 wherein the container-side engaging portion is movable by movement of the operation member so that it retains engagement thereof with the main assembly-side engaging portion when the operation member is moved in a opening direction for opening the main assembly
10 shutter member and so that it releases the engagement with said main assembly-side engaging portion when the operation member is moved in a closing direction for closing said main assembly shutter member; and

 wherein a position of the operation member
15 when the container-side engaging portion is located in a position to release the engagement with said main assembly-side engaging portion is away, in the closing direction, from a position thereof when the
 container-side engaging portion is located in a
20 position to be engaged with said main assembly-side engaging portion during mounting of the developer supply container.

10. An apparatus according to Claim 9, wherein
25 the developer supply container further comprises a container shutter member for opening and closing the developer discharge opening, and a transmission

receiving portion for receiving a driving force, from said relay portion, for opening and closing the container shutter member, and

wherein said main assembly shutter member is
5 capable of being opened and closed in conjunction with the container shutter member.

11. An apparatus according to Claim 10, wherein said main assembly shutter member is provided with an
10 engaging portion capable of being operated in conjunction with the container shutter member by mounting the developer supply container into the apparatus main assembly to engage the engaging portion with the container shutter member.

15

12. An apparatus according to Claim 9, wherein the operation member is movable in a rotational movement direction, and the developer supply container is mounted into and demounted from the apparatus main
20 assembly in a direction substantially perpendicular to a rotational movement axis of the operation member.

13. An apparatus according to Claim 9, wherein said main assembly-side engaging portion is a
25 projecting retractably urged toward the developer supply container, and the container-side engaging portion has a stepped portion which is provided with a

terminated portion with respect to said main
assembly-side engaging portion at the position to
release the engagement with said main assembly-side
engaging portion when the operation member is moved
5 toward the direction to close said main assembly
shutter member.

14. An apparatus according to Claim 10, wherein
the developer supply container further comprises a
10 container shutter engaging portion for engaging the
container shutter member with the developer containing
portion, and the engagement of the container shutter
engaging portion is released by mounting the developer
supply container into the apparatus main assembly.

15

15. An apparatus according to Claim 9, wherein
the developer supply container is provided with a lock
portion for engaging the operation member and an
engaged state of said lock portion is released by
20 mounting of the developer supply container.

16. An apparatus according to Claim 15, wherein
the apparatus main assembly is provided with a restore
portion, for abutting against a part of the operation
25 member to move the operation member to a locked
position by said lock portion when the developer
supply container is removed from the apparatus main

assembly.

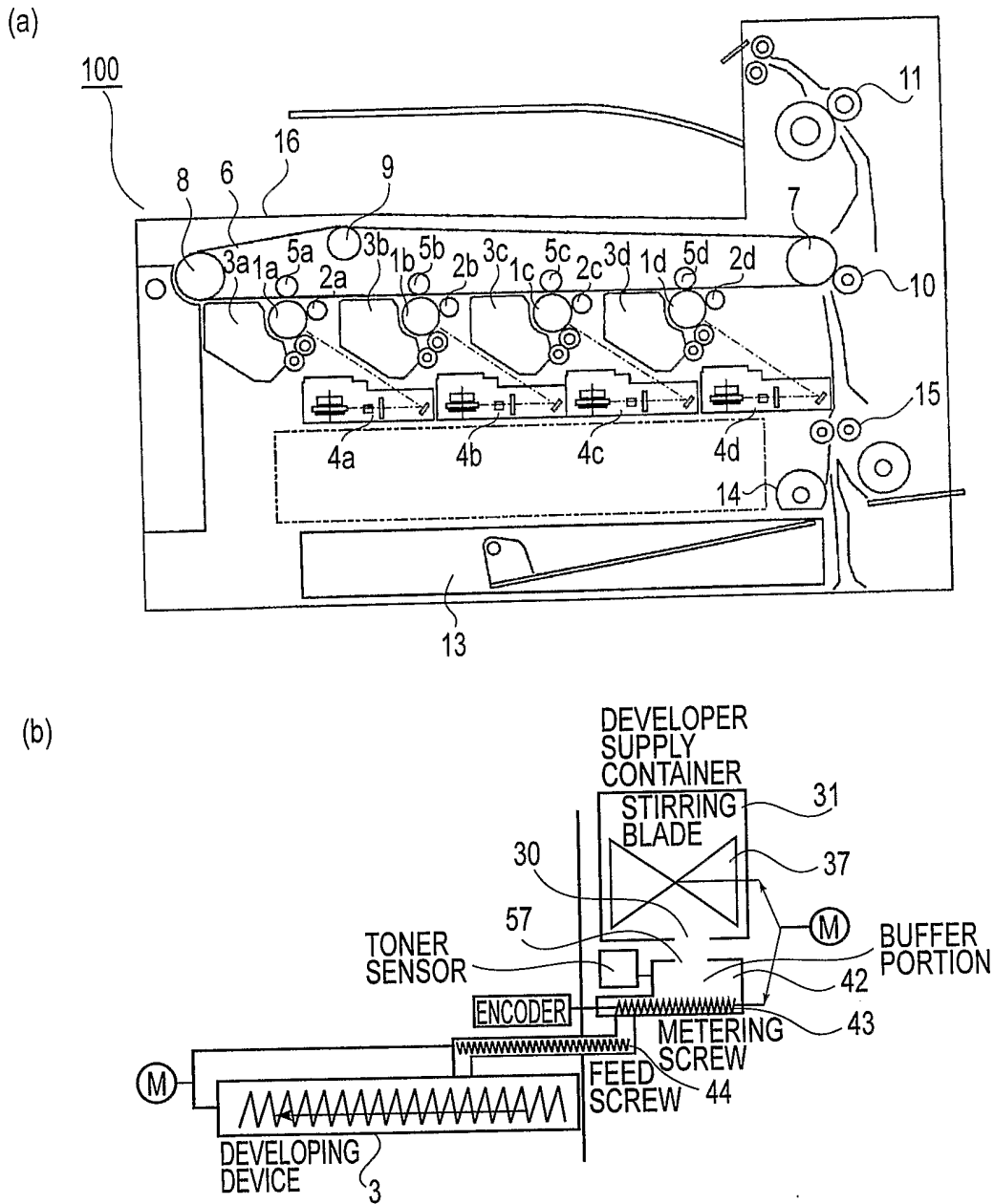


FIG. 1

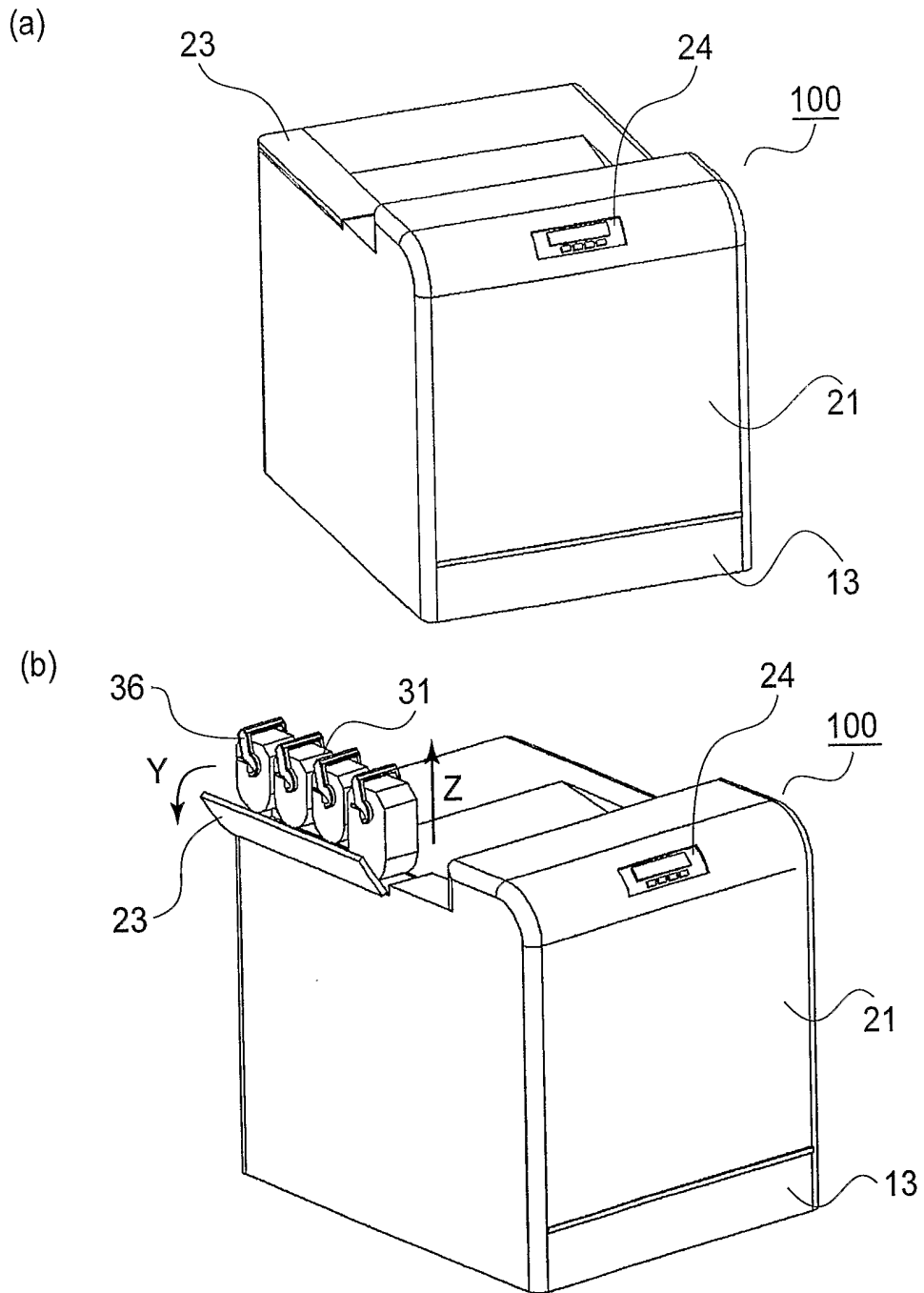


FIG. 2

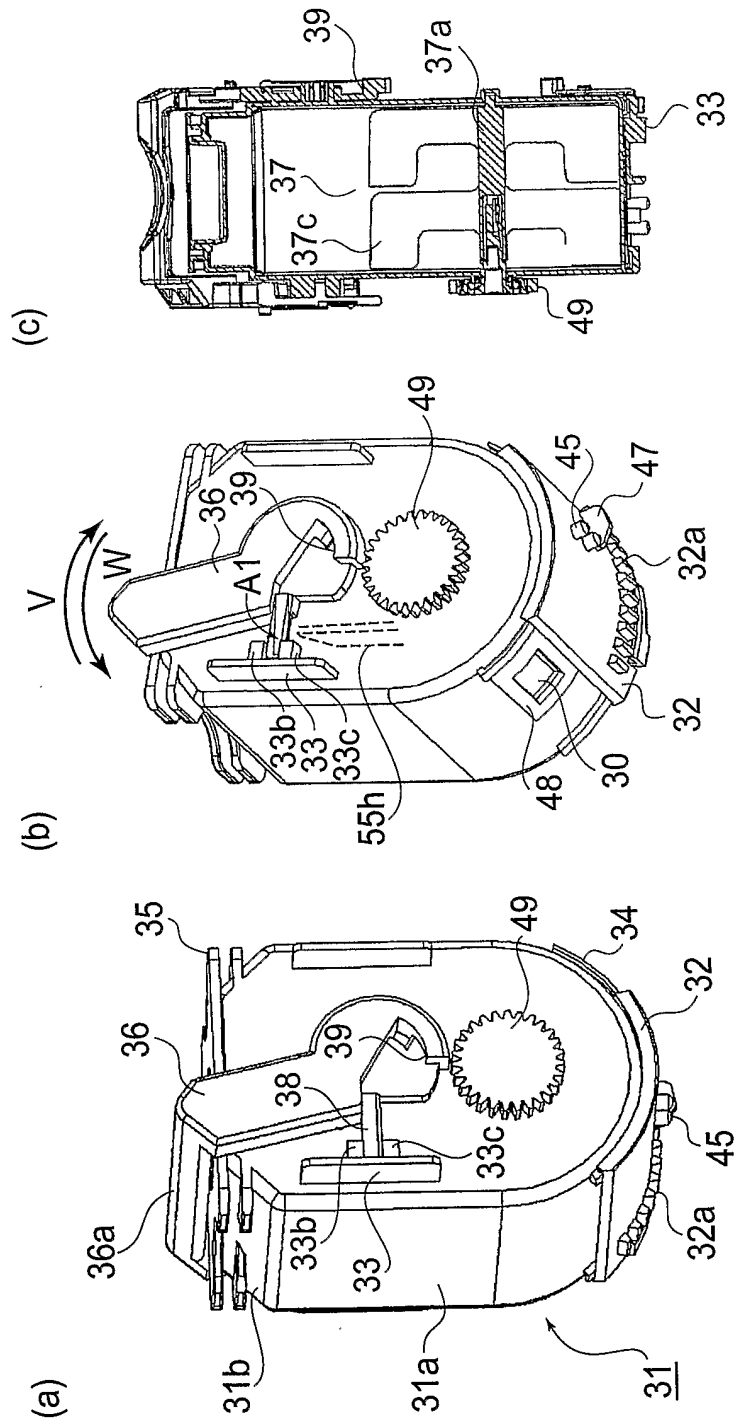


FIG. 3

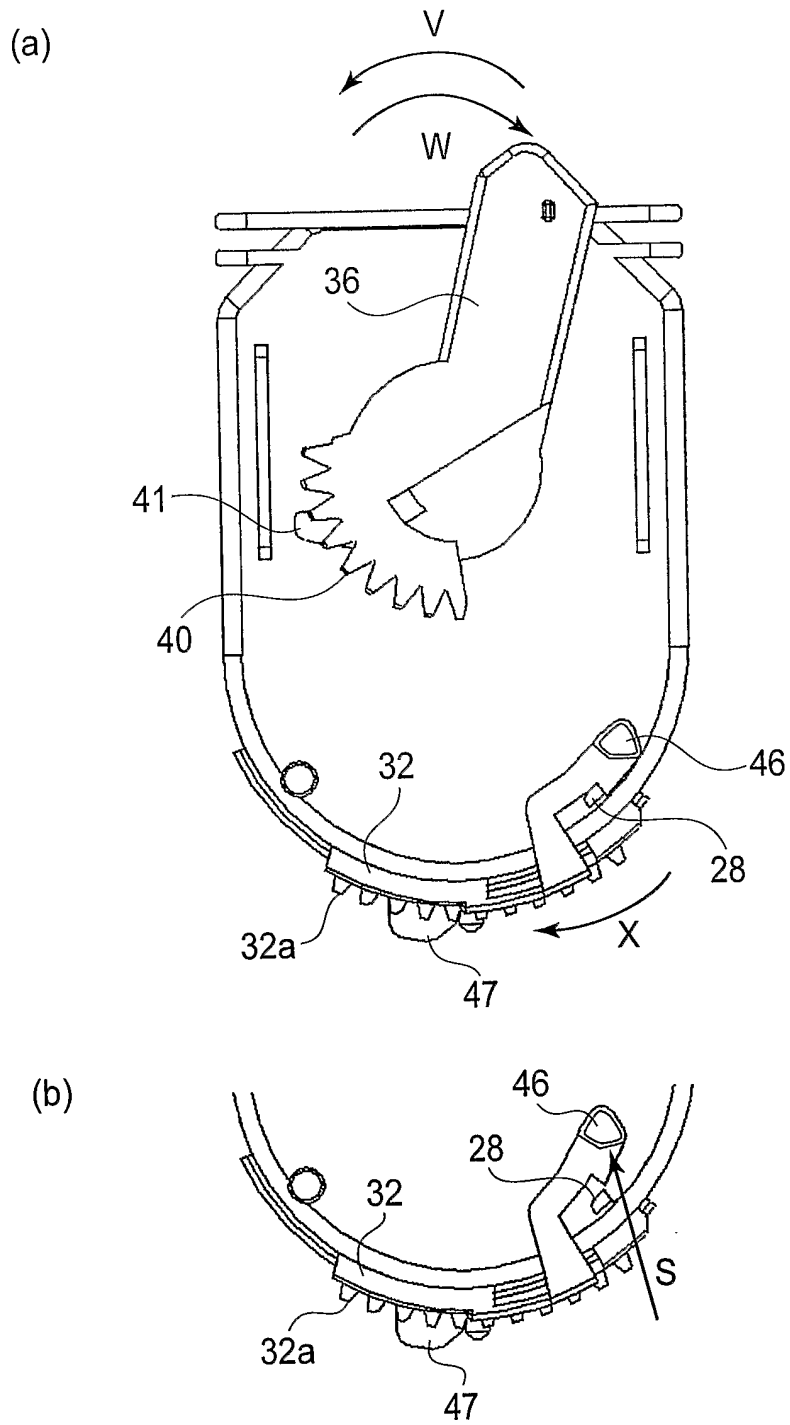


FIG.4

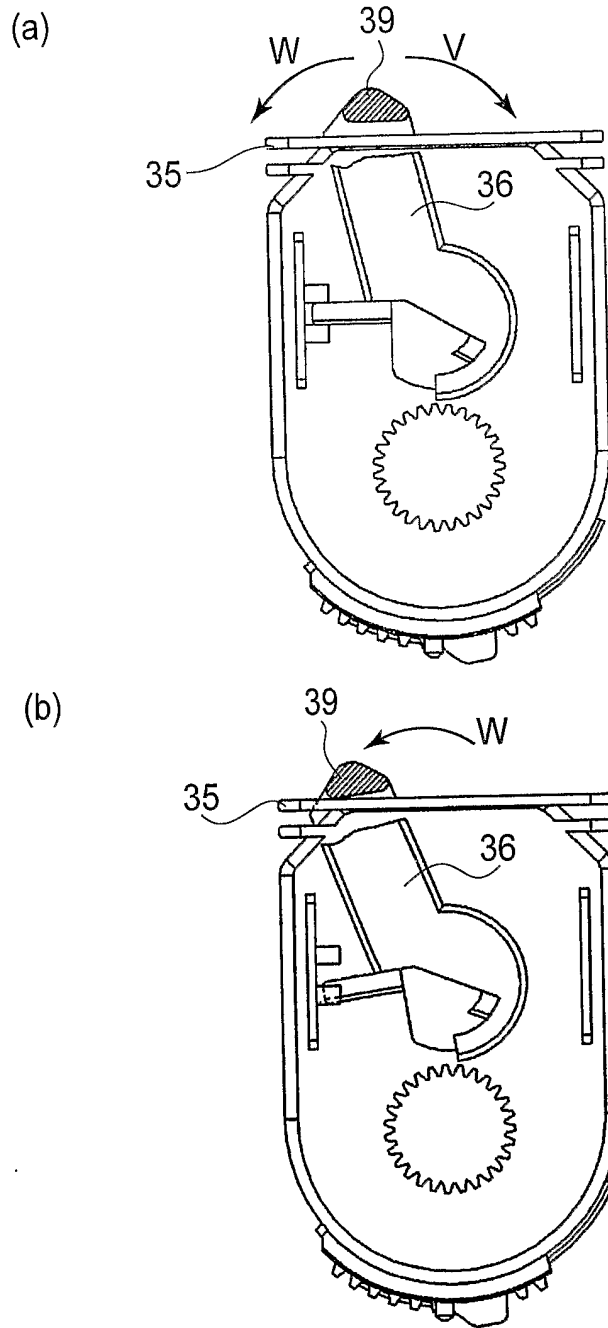


FIG. 5

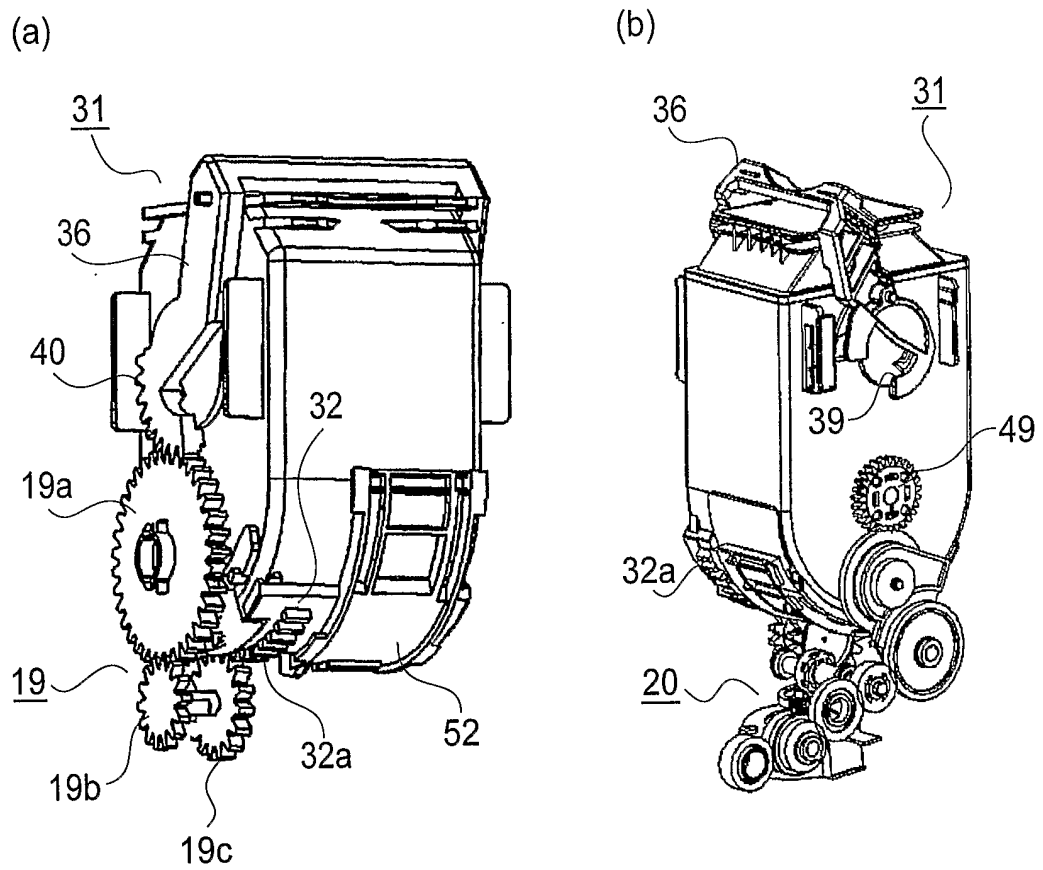


FIG. 6

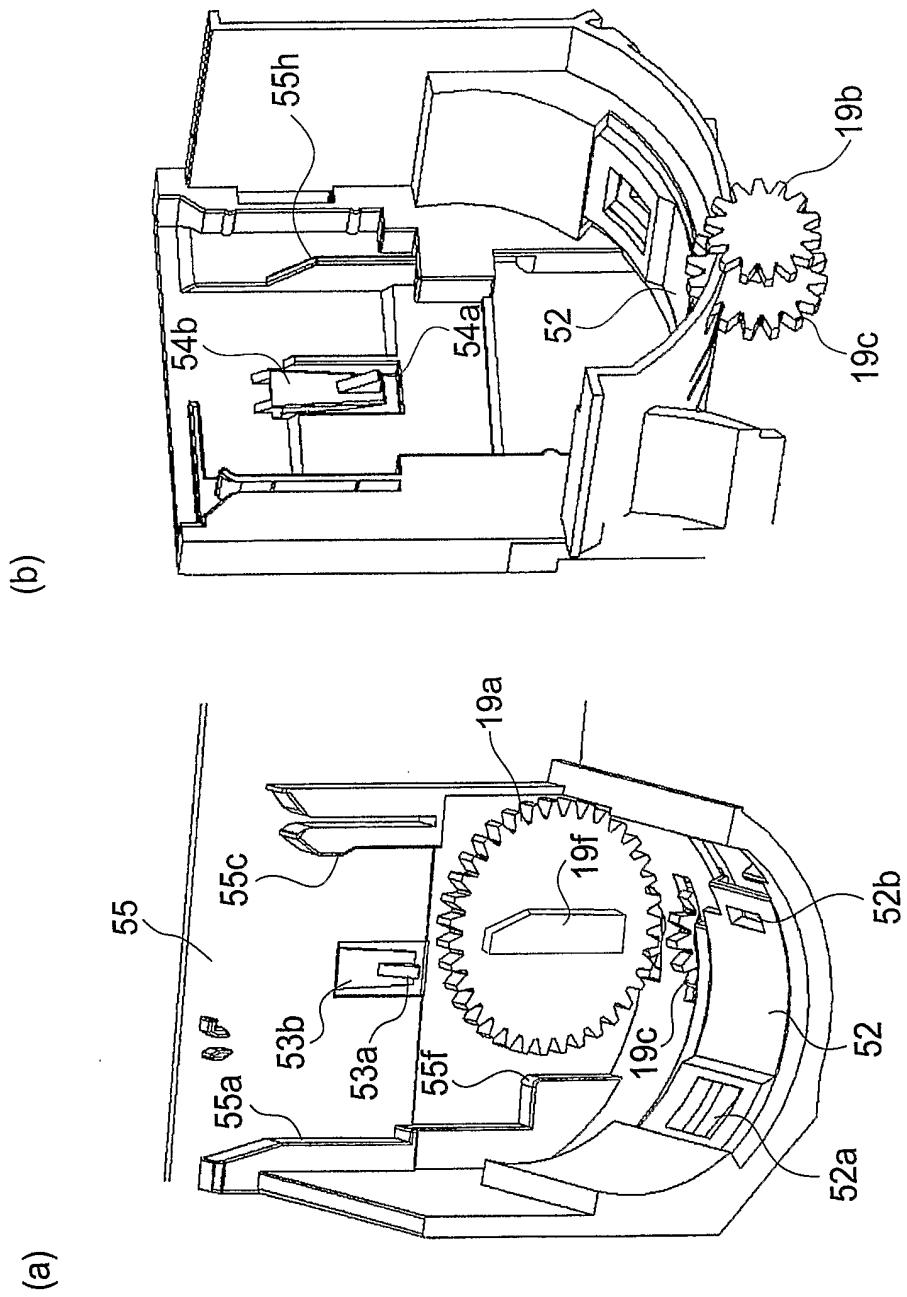


FIG. 7

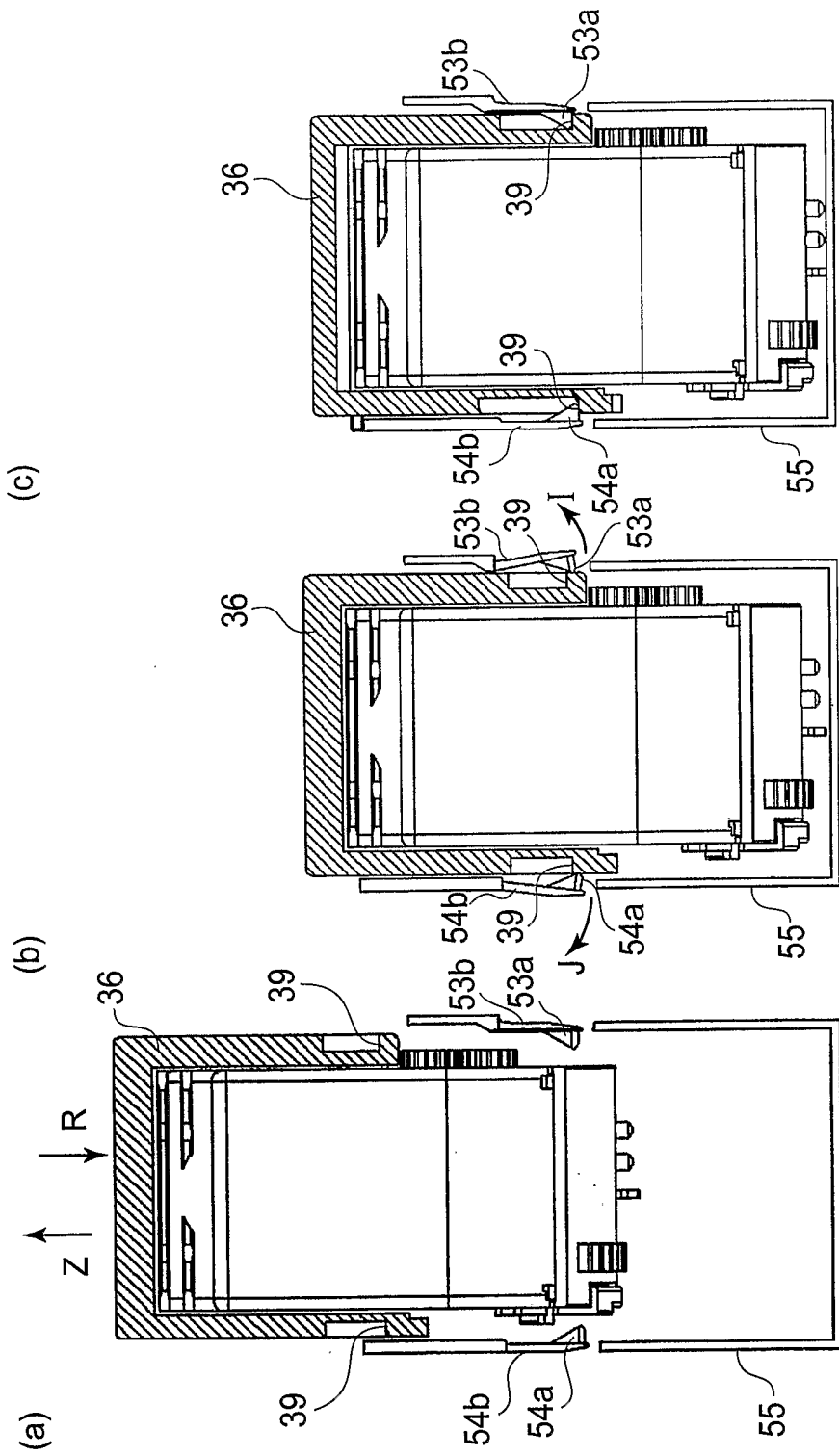


FIG. 8

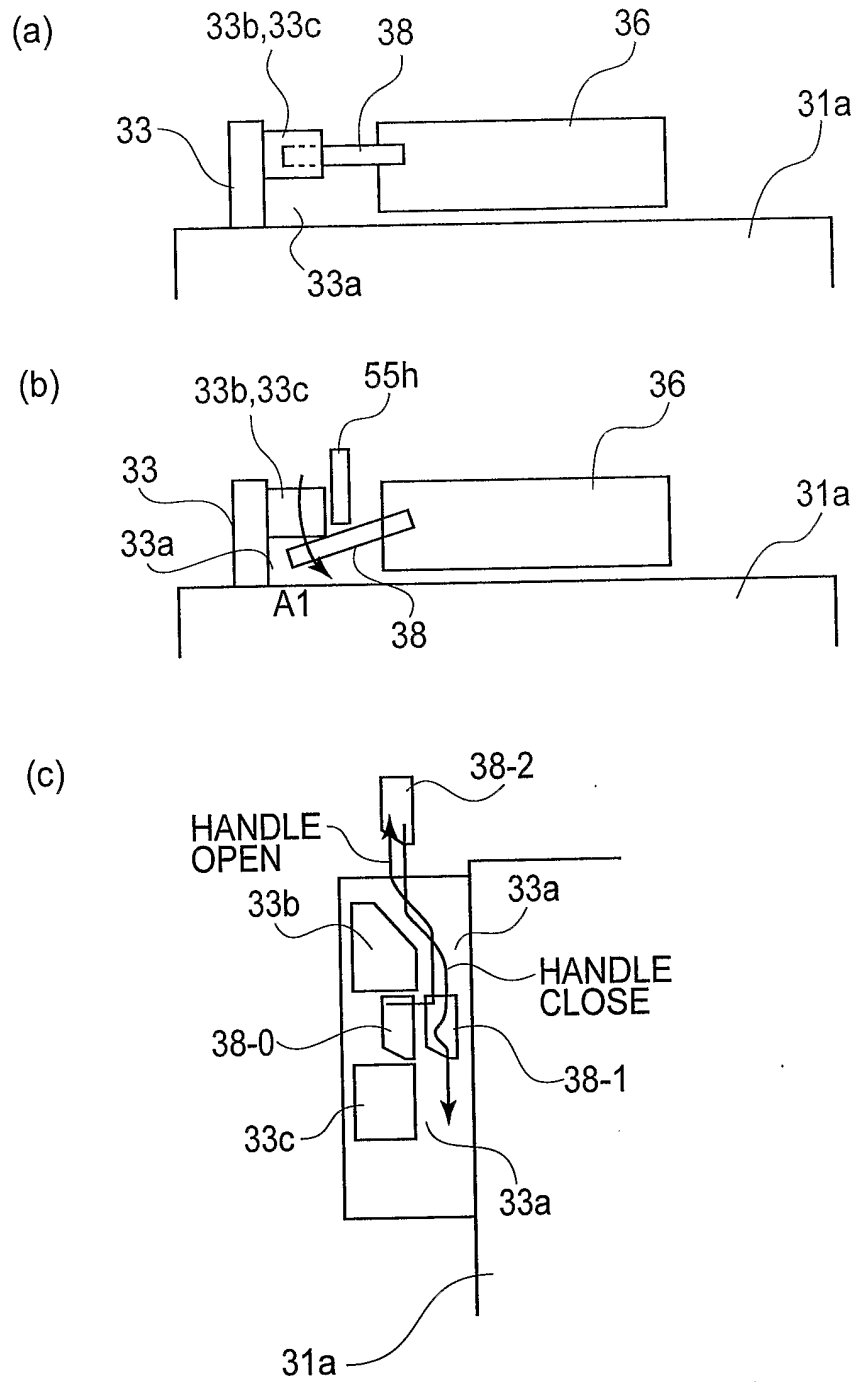


FIG. 9

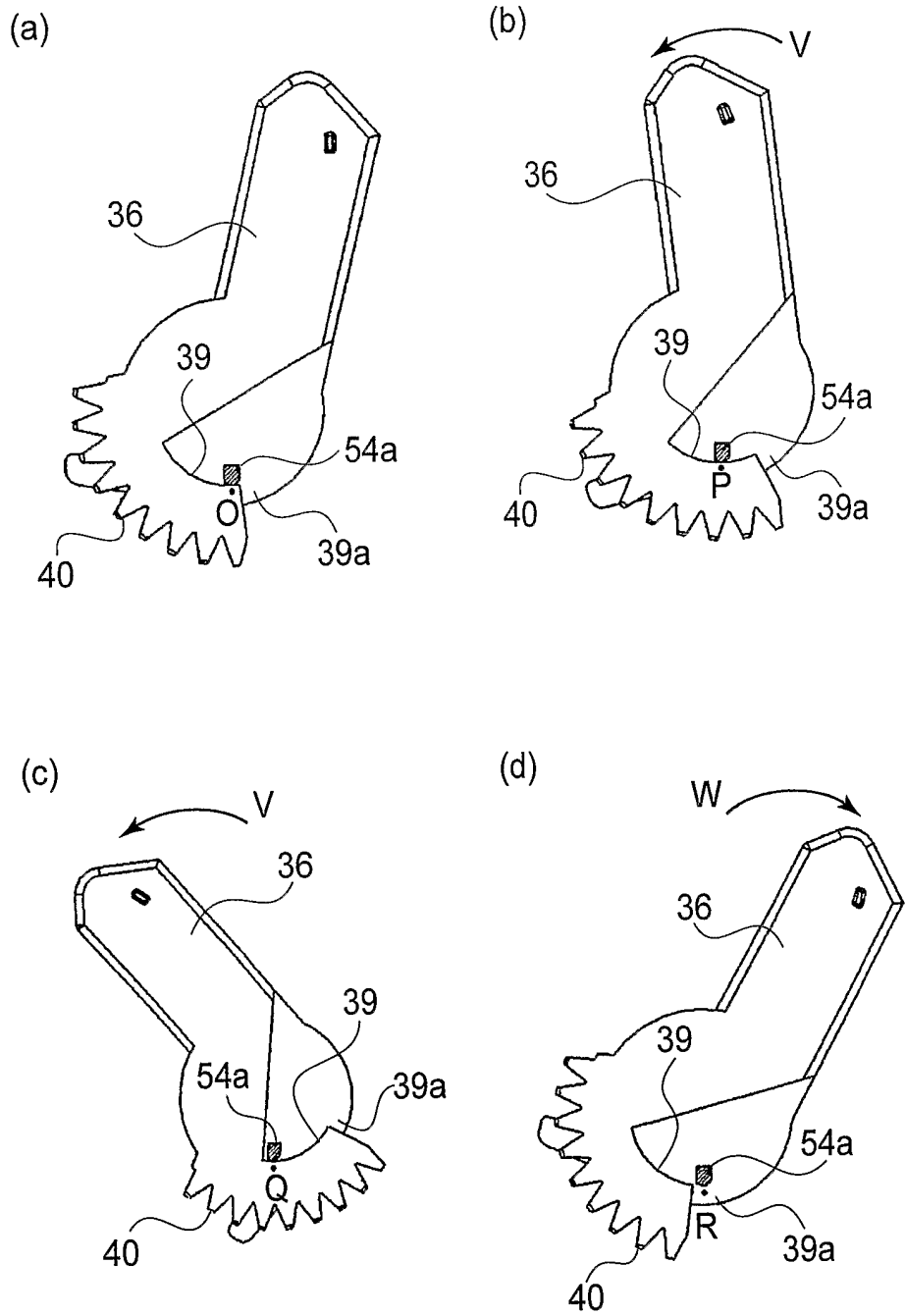


FIG. 10

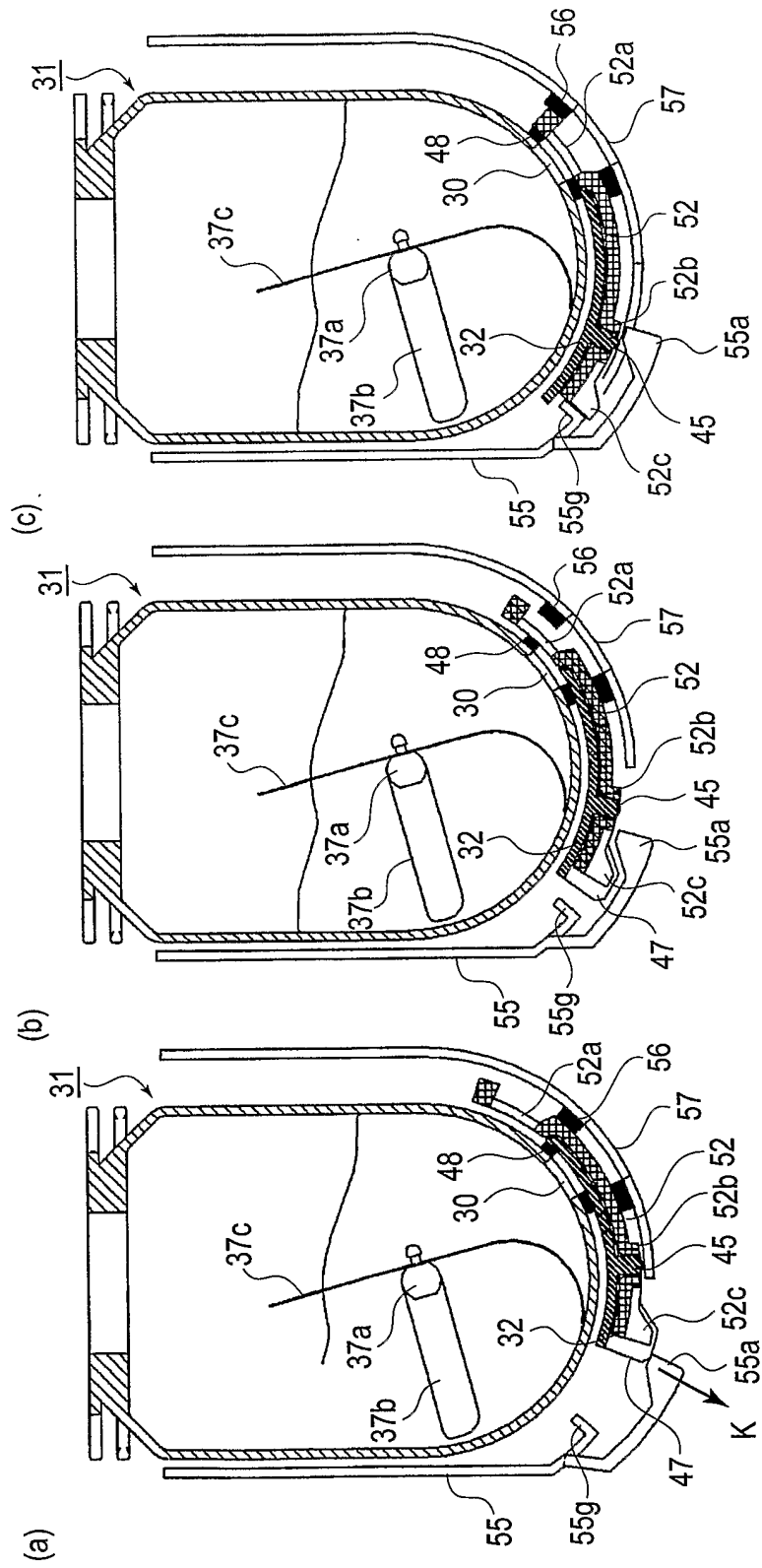


FIG.11

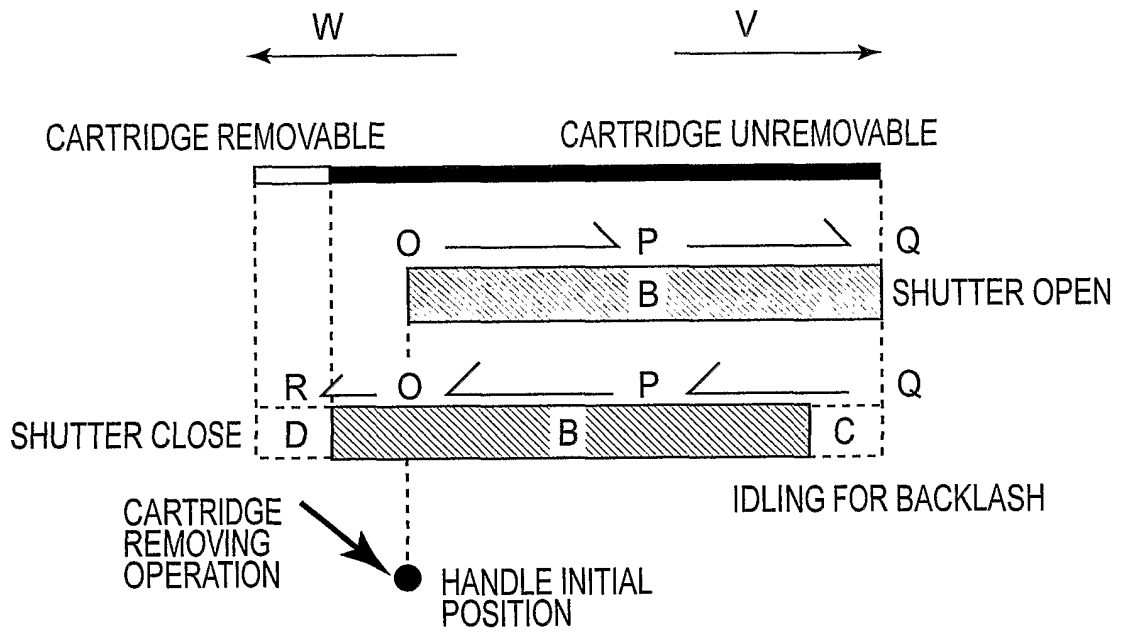


FIG.12

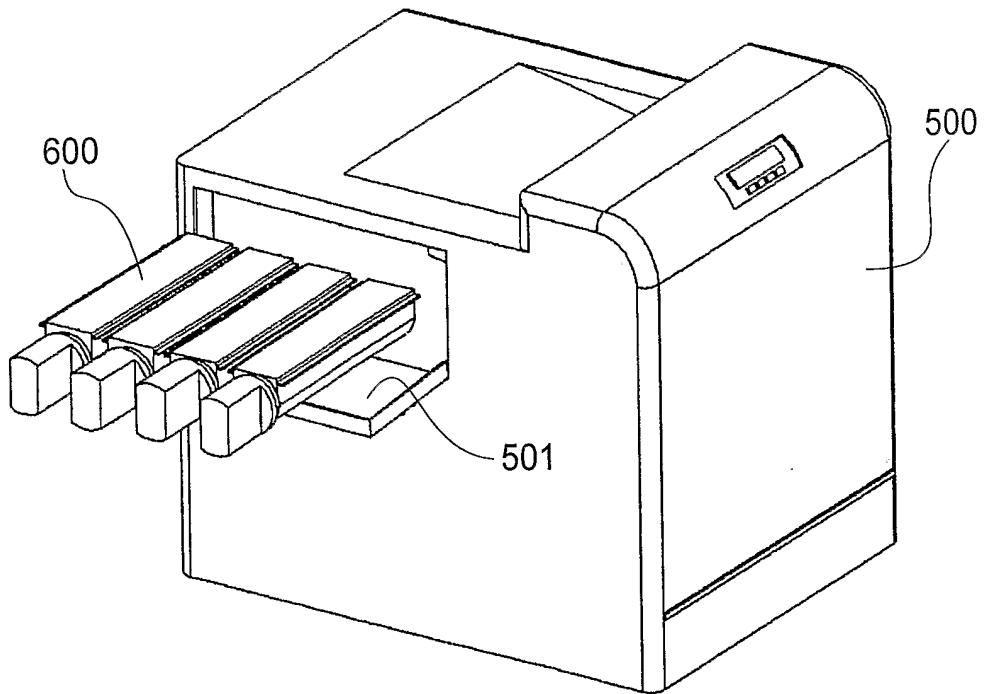


FIG.13

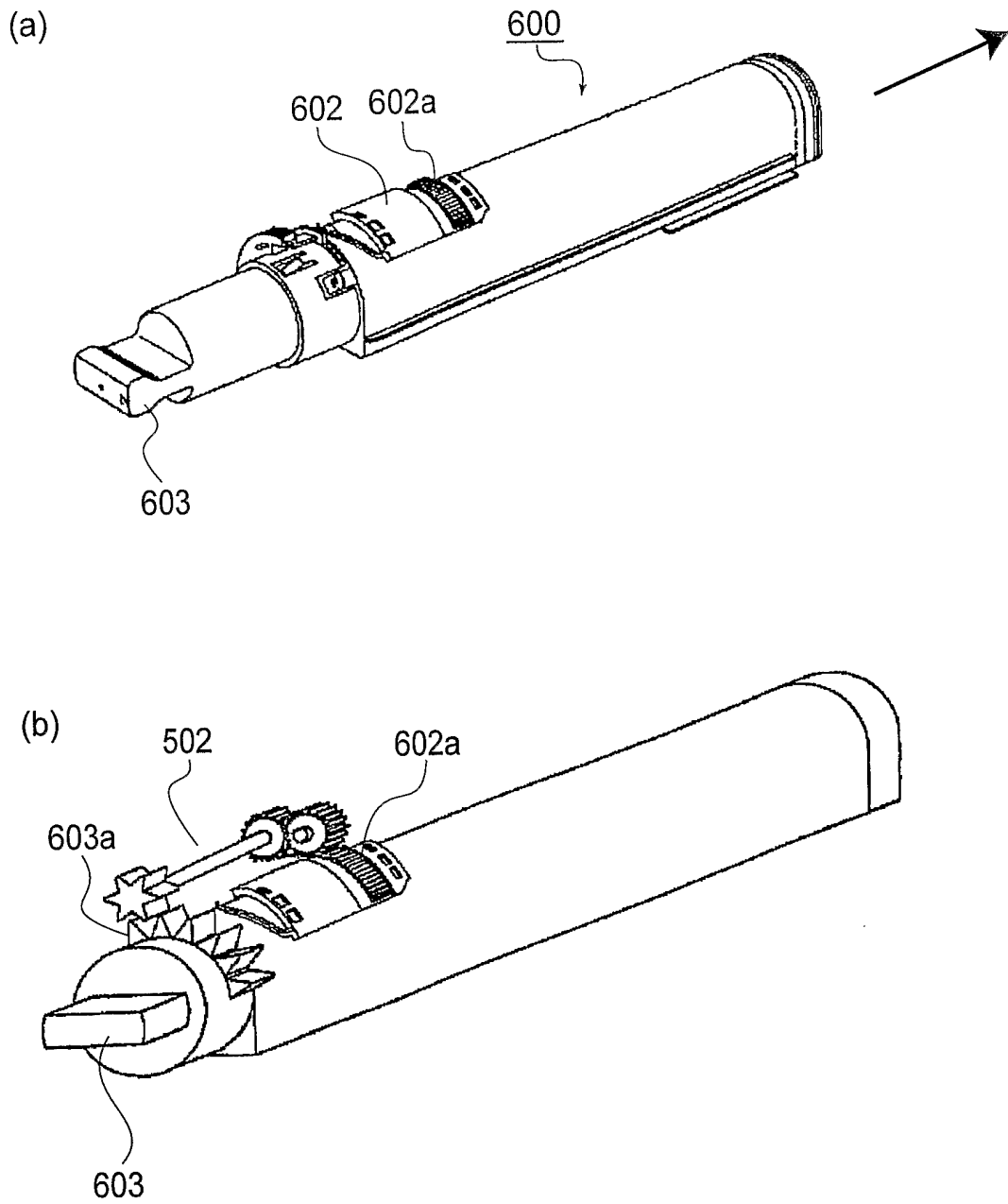


FIG.14

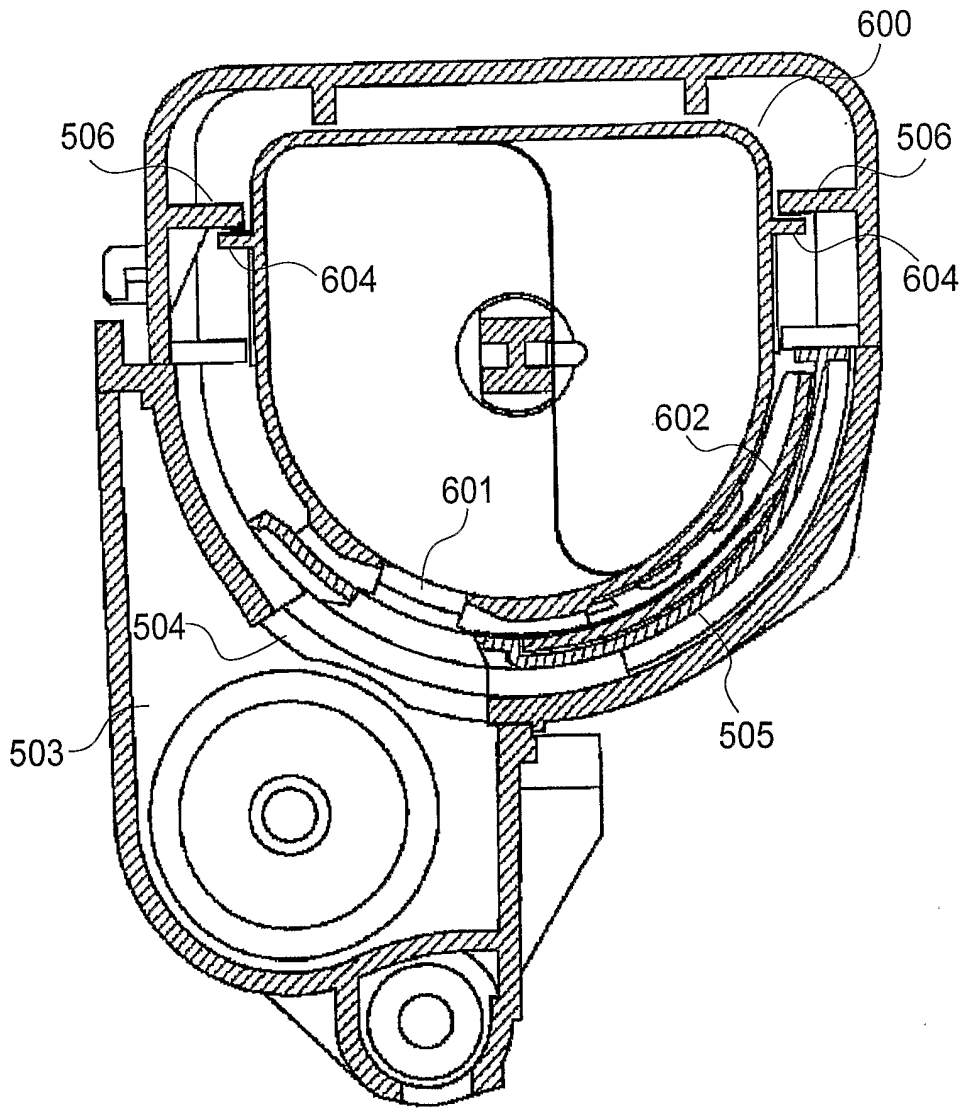


FIG.15

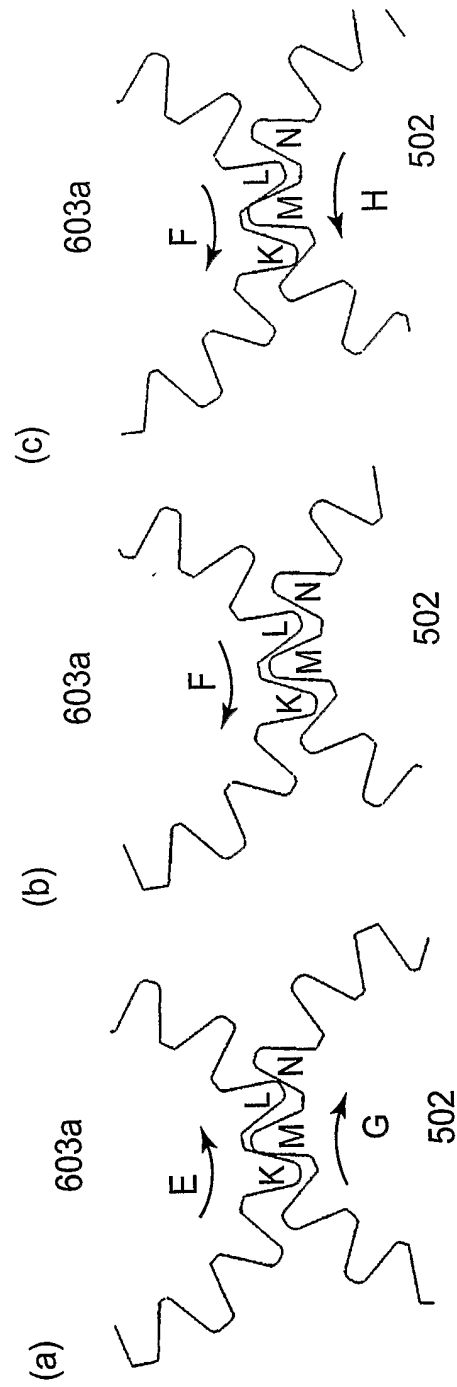


FIG.16