



(51) International Patent Classification:

F16M 11/04 (2006.01) *A47B 97/00* (2006.01)
H01R 33/00 (2006.01) *B60R 11/02* (2006.01)
G06F 1/16 (2006.01)

(21) International Application Number:

PCT/US2024/025949

(22) International Filing Date:

24 April 2024 (24.04.2024)

(25) Filing Language:

English

(26) Publication Language:

English

(30) Priority Data:

18/328,725 03 June 2023 (03.06.2023) US
18/402,327 02 January 2024 (02.01.2024) US

(71) Applicant: **XEBEC, INC.** [US/US]; 500 San Marcos Street, Unit 101, Austin, TX 78702 (US).

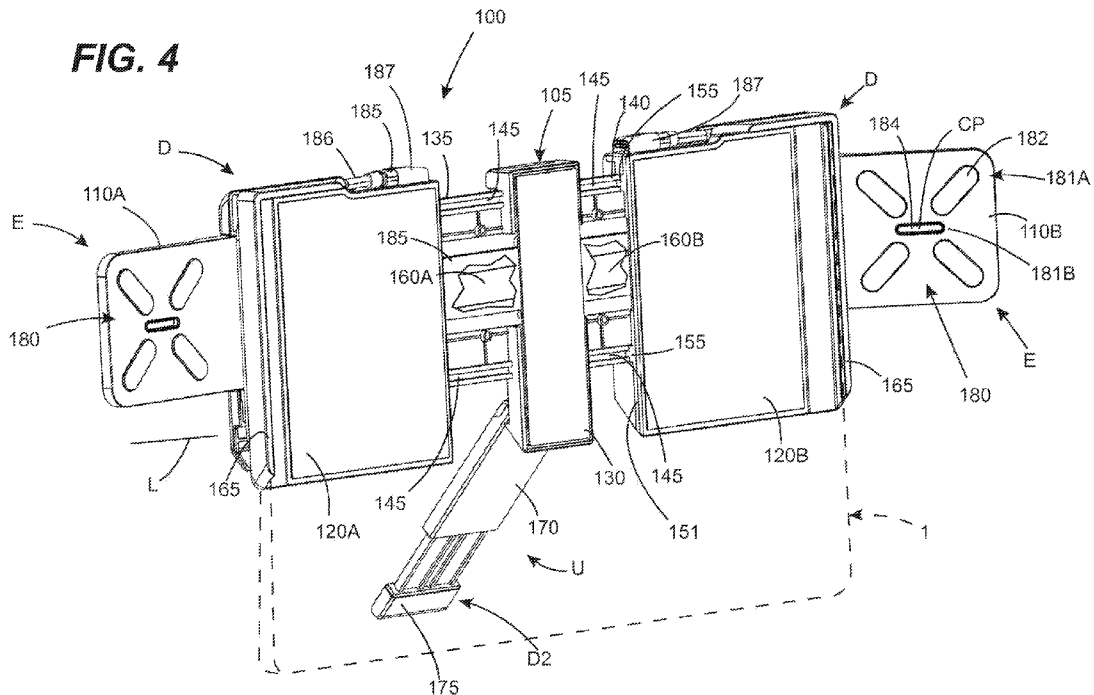
(72) Inventors: **LEVINE, Alex, Cole**; 1411 Haskell Street, Unit 2, Austin, TX 78702 (US). **CHU, Don, Ba**; 7809 Peccary Drive, Austin, TX 78744 (US). **GARREAU, Ethan, James**; 1518 Barton Springs Rd. Trlr 14, Austin, TX 78704 (US). **QUEJADA, Matthew, Joel**; 140 9th Street #204, San Francisco, CA 94103 (US).

(74) Agent: **SIMMONS, David, O.**; 7637 Parkview Circle, Austin, TX 78731 (US).

(81) Designated States (unless otherwise indicated, for every kind of national protection available): AE, AG, AL, AM, AO, AT, AU, AZ, BA, BB, BG, BH, BN, BR, BW, BY, BZ, CA, CH, CL, CN, CO, CR, CU, CV, CZ, DE, DJ, DK, DM, DO, DZ, EC, EE, EG, ES, FI, GB, GD, GE, GH, GM, GT, HN, HR, HU, ID, IL, IN, IQ, IR, IS, IT, JM, JO, JP, KE, KG, KH, KN, KP, KR, KW, KZ, LA, LC, LK, LR, LS, LU, LY, MA, MD, MG, MK, MN, MU, MW, MX, MY, MZ, NA, NG, NI, NO, NZ, OM, PA, PE, PG, PH, PL, PT, QA, RO, RS, RU, RW, SA, SC, SD, SE, SG, SK, SL, ST, SV, SY, TH,

(54) Title: ARTICLE MOUNTING APPARATUS AND SYSTEM COMPRISING SAME

FIG. 4



(57) Abstract: An article mounting system comprises an article mounting apparatus and an article (e.g., accessory item) including a first article mount integral therewith. The article mounting apparatus comprises a main body and a first article attachment body. The first article attachment body is movably attached to the main body for enabling the first article attachment body to be moved between a first use position relative to the main body and a second use position relative to the main body. The first article attachment body includes set of retention members engageable with a set of mating retention members of the first article mount. Such engagement provides for the first article mount to be releasably retain in a selected one of a plurality of available mounting positions relative to the first article attachment body.

WO 2024/253767 A3

TJ, TM, TN, TR, TT, TZ, UA, UG, US, UZ, VC, VN, WS,
ZA, ZM, ZW.

- (84) Designated States** (*unless otherwise indicated, for every kind of regional protection available*): ARIPO (BW, CV, GH, GM, KE, LR, LS, MW, MZ, NA, RW, SC, SD, SL, ST, SZ, TZ, UG, ZM, ZW), Eurasian (AM, AZ, BY, KG, KZ, RU, TJ, TM), European (AL, AT, BE, BG, CH, CY, CZ, DE, DK, EE, ES, FI, FR, GB, GR, HR, HU, IE, IS, IT, LT, LU, LV, MC, ME, MK, MT, NL, NO, PL, PT, RO, RS, SE, SI, SK, SM, TR), OAPI (BF, BJ, CF, CG, CI, CM, GA, GN, GQ, GW, KM, ML, MR, NE, SN, TD, TG).

Declarations under Rule 4.17:

- *as to applicant's entitlement to apply for and be granted a patent (Rule 4.17(ii))*

Published:

- *with international search report (Art. 21(3))*

(88) Date of publication of the international search report:

03 April 2025 (03.04.2025)

INTERNATIONAL SEARCH REPORT

International application No.

PCT/US 24/25949

A. CLASSIFICATION OF SUBJECT MATTER

IPC - INV. F16M 11/04, H01R 33/00 (2024.01)

ADD. G06F 1/16, A47B 97/00, B60R 11/02 (2024.01)

CPC - INV. F16M 11/041, H01R 33/00

ADD. G06F 1/1622, G06F 1/1624, G06F 1/1632, A47B 2097/005, H01R 13/73, B60R 11/02

According to International Patent Classification (IPC) or to both national classification and IPC

B. FIELDS SEARCHED

Minimum documentation searched (classification system followed by classification symbols)

See Search History document

Documentation searched other than minimum documentation to the extent that such documents are included in the fields searched

See Search History document

Electronic data base consulted during the international search (name of data base and, where practicable, search terms used)

See Search History document

C. DOCUMENTS CONSIDERED TO BE RELEVANT

Category*	Citation of document, with indication, where appropriate, of the relevant passages	Relevant to claim No.
X --- Y	US 2018/0187828 A1 (GOOGLE INC.) 05 July 2018 (05.07.2018), entire document, especially Fig. 1-5, 8; para [0017]. [0033], [0039], [0043]-[0046], [0049], [0067]	1-2; 5-7, 15-18 ----- 3-4, 8, 24, 30, 32, 39, 46, 51, 56, 59, 65-66, 73, 76
X --- Y	US 11,603,960 B1 (Wen et al.) 14 March 2023 (14.03.2023), entire document	19-23, 25-29, 34-38, 40- 45, 47-50, 52-54, 70-72, 74-75, 77-79 ----- 24, 30-33, 39, 46, 51, 55- 69, 73, 76
Y	US 2019/0111855 A1 (CaseXCase, LLC) 18 April 2019 (18.04.2019), entire document, especially Abstract; Fig. 1-2, 9; para [0068]	3-4, 8
Y	US 2021/0026409 A1 (Mobile Tech, Inc.) 28 January 2021 (28.01.2021), entire document	31-33, 39, 55-69
A	US 10,405,647 B2 (Laudadio et al.) 10 September 2019 (10.09.2019), entire document	80-82
A	US 2013/0092805 A1 (Funk et al.) 18 April 2013 (18.04.2013), entire document, especially Fig. 3A; para [0045]-[0047]	9-14
A	US 2015/0136933 A1 (Merzon) 21 May 2015 (21.05.2015), entire document	1-18

Further documents are listed in the continuation of Box C.

See patent family annex.

* Special categories of cited documents:

"A" document defining the general state of the art which is not considered to be of particular relevance

"D" document cited by the applicant in the international application

"E" earlier application or patent but published on or after the international filing date

"L" document which may throw doubts on priority claim(s) or which is cited to establish the publication date of another citation or other special reason (as specified)

"O" document referring to an oral disclosure, use, exhibition or other means

"P" document published prior to the international filing date but later than the priority date claimed

"T" later document published after the international filing date or priority date and not in conflict with the application but cited to understand the principle or theory underlying the invention

"X" document of particular relevance; the claimed invention cannot be considered novel or cannot be considered to involve an inventive step when the document is taken alone

"Y" document of particular relevance; the claimed invention cannot be considered to involve an inventive step when the document is combined with one or more other such documents, such combination being obvious to a person skilled in the art

"&" document member of the same patent family

Date of the actual completion of the international search

30 July 2024

Date of mailing of the international search report

OCT 08 2024

Name and mailing address of the ISA/US

Mail Stop PCT, Attn: ISA/US, Commissioner for Patents

P.O. Box 1450, Alexandria, Virginia 22313-1450

Facsimile No. 571-273-8300

Authorized officer

Kari Rodriguez

Telephone No. PCT Helpdesk: 571-272-4300

INTERNATIONAL SEARCH REPORT

International application No.

PCT/US 24/25949

Box No. II Observations where certain claims were found unsearchable (Continuation of item 2 of first sheet)

This international search report has not been established in respect of certain claims under Article 17(2)(a) for the following reasons:

1. Claims Nos.:
because they relate to subject matter not required to be searched by this Authority, namely:

2. Claims Nos.:
because they relate to parts of the international application that do not comply with the prescribed requirements to such an extent that no meaningful international search can be carried out, specifically:

3. Claims Nos.:
because they are dependent claims and are not drafted in accordance with the second and third sentences of Rule 6.4(a).

Box No. III Observations where unity of invention is lacking (Continuation of item 3 of first sheet)

This International Searching Authority found multiple inventions in this international application, as follows:

This application contains the following inventions or groups of inventions which are not so linked as to form a single general inventive concept under PCT Rule 13.1. In order for all inventions to be searched, the appropriate additional search fees must be paid.

Group I: Claims 1-18, directed to an apparatus with a first interface comprising a first plurality of retention members placed in a generally X-shaped arrangement around a first electrical connector.

Group II: Claims 19-82, directed to an article mount system including an article including a plurality of article mounts integral therewith and an article mounting apparatus with a main body and an article attachment body which is movably attached to the main body, the article attachment body includes a retention member engageable with the plurality of article mounts.

--- See Continuation Box ---

1. As all required additional search fees were timely paid by the applicant, this international search report covers all searchable claims.
2. As all searchable claims could be searched without effort justifying additional fees, this Authority did not invite payment of additional fees.
3. As only some of the required additional search fees were timely paid by the applicant, this international search report covers only those claims for which fees were paid, specifically claims Nos.:

4. No required additional search fees were timely paid by the applicant. Consequently, this international search report is restricted to the invention first mentioned in the claims; it is covered by claims Nos.:

Remark on Protest

- The additional search fees were accompanied by the applicant's protest and, where applicable, the payment of a protest fee.
- The additional search fees were accompanied by the applicant's protest but the applicable protest fee was not paid within the time limit specified in the invitation.
- No protest accompanied the payment of additional search fees.

Box III - Unity of Invention

The groups of inventions listed above do not relate to a single general inventive concept under PCT Rule 13.1 because, under PCT Rule 13.2, they lack the same or corresponding special technical features for the following reasons:

Special Technical Features:

Group I requires the special technical feature an apparatus comprising: a first surface; and a first interface, the first interface comprising: a first electrical connector; and a first plurality of [retention members] placed in a generally X-shaped arrangement around the first electrical connector, wherein the first electrical connector and the first plurality of [retention members] are accessible at the first surface.

Group II requires the special technical feature an article mounting system, comprising: an article including a plurality of article mounts integral therewith; and an article mounting apparatus comprising a main body and an article attachment body, wherein the article attachment body is movably attached to the main body for enabling the article attachment body to be moved between a first use position relative to the main body and a second use position relative to the main body, wherein the article attachment body includes at least one [retention member] engageable with at least one mating [retention member] of any of the plurality of article mounts to enable the article to be releasably retained in a selected one of a plurality of available mounting positions relative to the article attachment body.

Common Technical Features:

Groups I and II share the technical feature of a retention member. However, this technical feature is not a unifying feature because they are anticipated by US 2019/0111855 A1 to CaseXCase, LLC (hereinafter 'Case'). Case teaches a retention member (see 903 of Fig. 9 complimentary to 102 of Fig. 1-2; The X-shaped protrusion 903 fits into the corresponding X-shaped indentation 103 in the mobile phone case or similar object mount, providing a mechanical coupling between the first mount and the second mount, para [0068]). Group I-II share no further features with each other.

Accordingly, the inventions listed as Groups I-II above lack unity of invention under PCT Rule 13 because they do not share a same or corresponding special technical feature providing contribution over prior art.