



US00D995283S

(12) **United States Design Patent**
Klein

(10) **Patent No.:** **US D995,283 S**

(45) **Date of Patent:** **** Aug. 15, 2023**

(54) **BRACKET FOR DOORS WINDOWS AND FURNITURE**
(71) Applicant: **KLEIN IBERICA, S.A.U.**, Montcada I Reixac (ES)
(72) Inventor: **Marc Tàrrega Klein**, Barcelona (ES)
(**) Term: **15 Years**
(21) Appl. No.: **35/513,315**
(22) Filed: **Dec. 16, 2021**

6,322,029 B1 * 11/2001 Sonnenberg E06B 9/323 248/261
7,410,127 B1 * 8/2008 Ahad B64C 1/20 244/118.6
D701,159 S * 3/2014 Lambert D12/223
D706,618 S * 6/2014 Brengause D8/400
9,045,892 B2 * 6/2015 Smith E04B 1/003
D792,577 S * 7/2017 Gajewski D23/411
10,673,374 B2 * 6/2020 Robinson E04D 1/30
11,208,833 B2 * 12/2021 Tarrega Klein E05D 5/02
11,236,505 B2 * 2/2022 Rivas E04C 2/384
11,584,504 B2 * 2/2023 Funke B64C 1/12
2015/0287482 A1 * 10/2015 Nopwaskey G21C 15/02 376/282
2023/0011291 A1 * 1/2023 Chang B21K 23/04

(80) **Hague Agreement Data**
Int. Filing Date: **Dec. 16, 2021**
Int. Reg. No.: **DM/218040**
Int. Reg. Date: **Dec. 16, 2021**
Int. Reg. Pub. Date: **Jan. 7, 2022**

* cited by examiner

Primary Examiner — Keli L Hill
Assistant Examiner — Harold E Blackwell, II

(30) **Foreign Application Priority Data**
Jul. 8, 2021 (EM) 008606990-0001
Jul. 8, 2021 (EM) 008606990-0002
Jul. 8, 2021 (EM) 008606990-0003
Jul. 8, 2021 (EM) 008606990-0004

(57) **CLAIM**

The ornamental design for a bracket for doors, windows and furniture, as shown and described.

(51) **LOC (14) Cl.** **08-11**
(52) **U.S. Cl.**
USPC **D8/400; D8/354**
(58) **Field of Classification Search**
USPC D8/354, 349, 355, 366, 371, 380, 383, D8/394, 499; 210/791
CPC F16K 5/10; F16K 5/00
See application file for complete search history.

DESCRIPTION

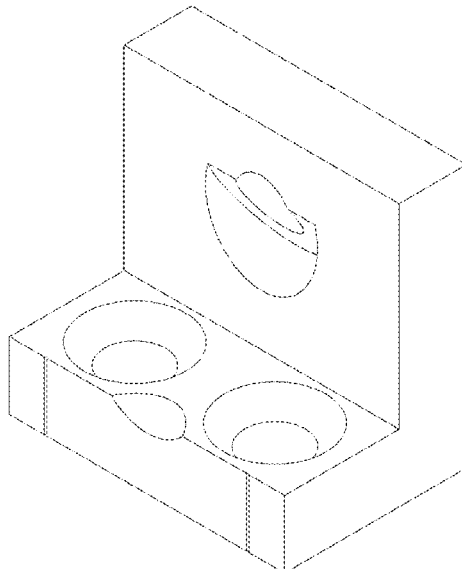
- 1. Bracket for doors, windows and furniture
- 1.1 : Perspective
- 1.2 : Front
- 1.3 : Back
- 1.4 : Top
- 1.5 : Bottom
- 1.6 : Right
- 1.7 : Left

The characteristics of the designs for which protection is sought include the patterns and/or shapes and/or configuration and/or ornamentation of bracket for doors, windows and furniture.

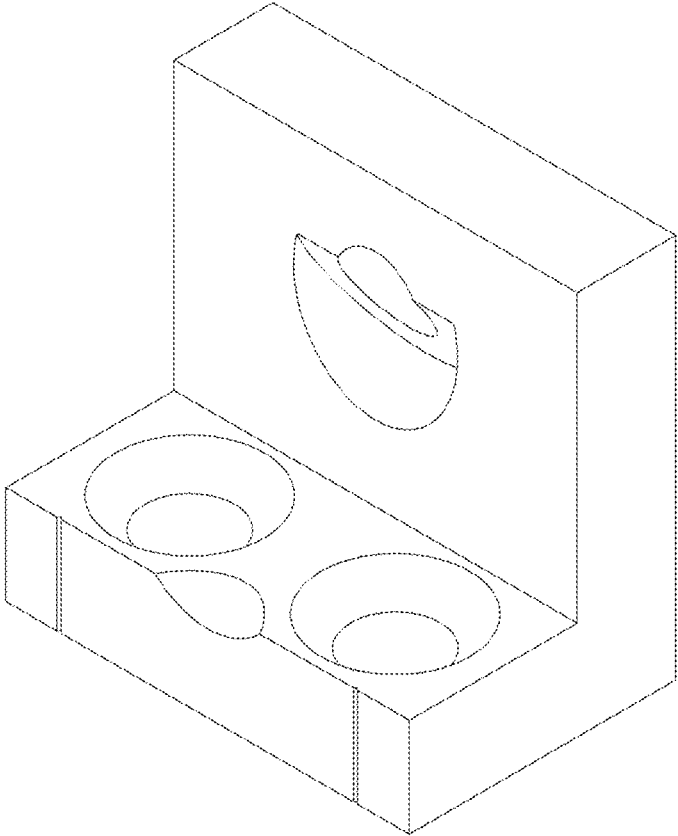
(56) **References Cited**
U.S. PATENT DOCUMENTS

D376,529 S * 12/1996 Davies D8/349
D435,433 S * 12/2000 Miller D8/354

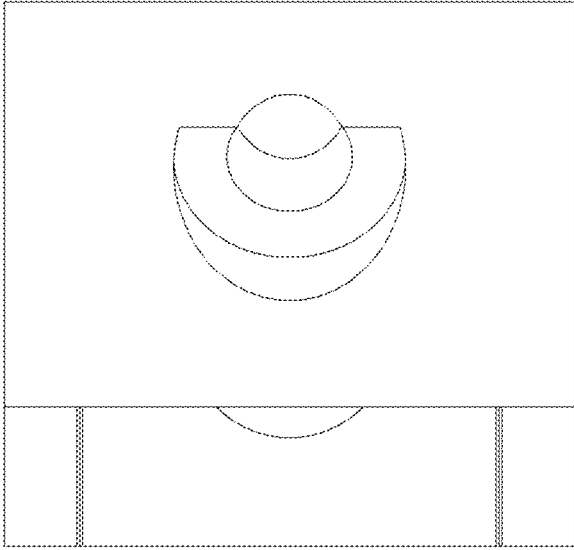
1 Claim, 7 Drawing Sheets



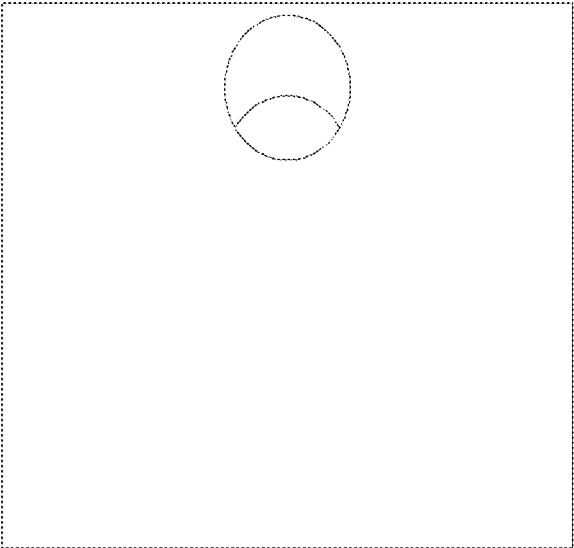
1.1



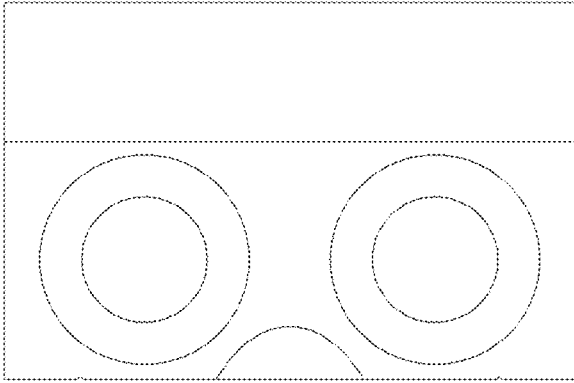
1.2



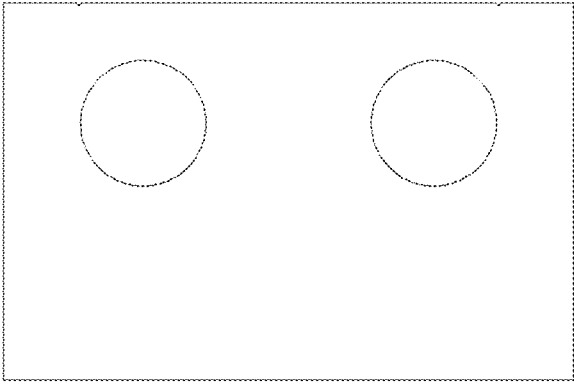
1.3



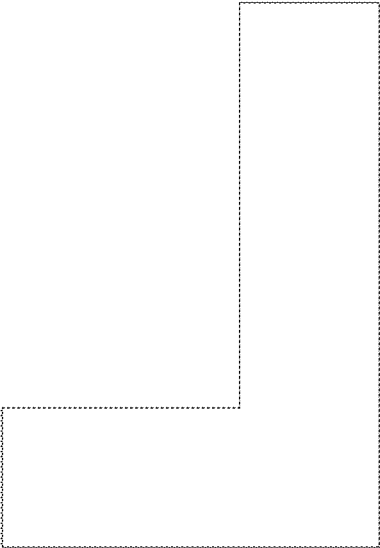
1.4



1.5



1.6



1.7

