



US00D354529S

United States Patent [19]

[11] Patent Number: Des. 354,529

Skov

[45] Date of Patent: ** Jan. 17, 1995

[54] ELEMENT FOR A TOY BUILDING SET
 [75] Inventor: Ib T. Skov, Billund, Denmark
 [73] Assignee: Interlego A.G., Baar, Switzerland
 [**] Term: 14 Years
 [21] Appl. No.: 13,323
 [22] Filed: Sep. 22, 1993
 [52] U.S. Cl. D21/108
 [58] Field of Search D21/108, 141; D19/59;
 446/85, 108, 110, 115, 116, 120, 122, 124, 125,
 128, 118; 434/172

D. 332,641 1/1993 Skov D21/108
 D. 335,154 4/1993 Knudsen D21/108

Primary Examiner—Bernard Ansher
Assistant Examiner—R. Barkai
Attorney, Agent, or Firm—Kane, Dalsimer, Sullivan,
 Kurucz, Levy, Eisele and Richard

[57] CLAIM

The ornamental design for an element for a toy building set, as shown and described.

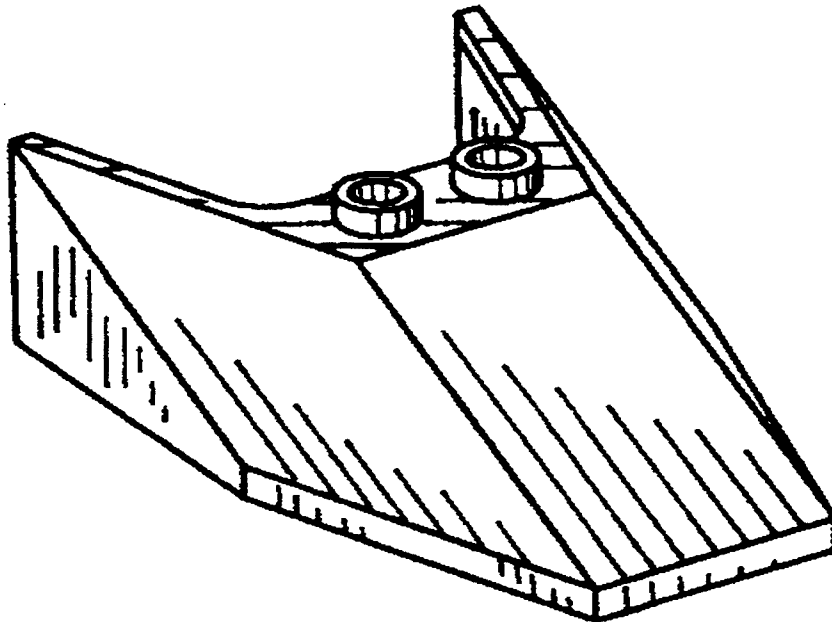
DESCRIPTION

FIG. 1 is a top perspective view of the element for a toy building set showing my new design;
 FIG. 2 is a bottom perspective view thereof;
 FIG. 3 is a rear elevational view thereof;
 FIG. 4 is a right side elevational view thereof;
 FIG. 5 is a front elevational view thereof;
 FIG. 6 is a left side elevational view thereof;
 FIG. 7 is a top plan view thereof; and,
 FIG. 8 is a bottom plan view thereof.

[56] References Cited

U.S. PATENT DOCUMENTS

D. 285,705 9/1986 Dideriksen D21/108
 D. 328,928 8/1992 Jarnros D21/108
 D. 328,930 8/1992 Jarnros D21/108
 D. 330,056 10/1992 Pagel D21/108
 D. 331,432 12/1992 Jarnros D21/108



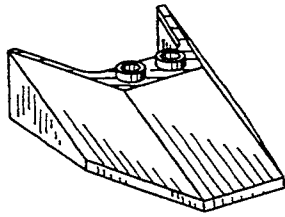


FIG. 1

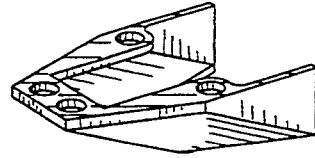


FIG. 2

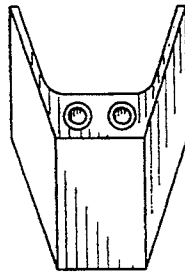


FIG. 7

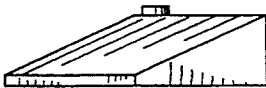


FIG. 6



FIG. 5



FIG. 4

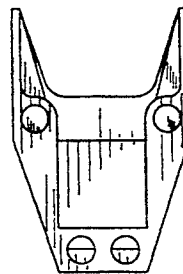


FIG. 8



FIG. 3