

(19) World Intellectual Property Organization
International Bureau



(43) International Publication Date
28 February 2008 (28.02.2008)

PCT

(10) International Publication Number
WO 2008/024100 A3

(51) International Patent Classification:
A61F 7/00 (2006.01)

(21) International Application Number:
PCT/US2006/032544

(22) International Filing Date: 21 August 2006 (21.08.2006)

(25) Filing Language: English

(26) Publication Language: English

(71) Applicant (for all designated States except US): **TEAR-SCIENCE, INC.** [US/US]; 1101G Aviation Parkway, Morrisville, NC 27560 (US).

(72) Inventors; and

(75) Inventors/Applicants (for US only): **KORB, Donald, R.** [US/US]; 10 Brimmer Street, Boston, MA 02108 (US). **WILLIS, Timothy, R.** [US/US]; 1004 Denfield Court, Suite 250, Raleigh, NC 27615 (US). **GRAVELY, Benjamin, T.** [US/US]; 7001 Buckhead Drive, Raleigh, NC 27615 (US). **GRENON, Stephen, M.** [US/US]; 6318 Acorn Ridge Trail, Hillsborough, NC 27278 (US).

(74) Agents: **TERRANOVA, Steven N.** et al.; Withrow & Terranova, PLLC, 100 Regency Forest Drive, Suite 160, Cary, North Carolina, 27518 (US).

(81) Designated States (unless otherwise indicated, for every kind of national protection available): AE, AG, AL, AM, AT, AU, AZ, BA, BB, BG, BR, BW, BY, BZ, CA, CH, CN, CO, CR, CU, CZ, DE, DK, DM, DZ, EC, EE, EG, ES, FI, GB, GD, GE, GH, GM, HN, HR, HU, ID, IL, IN, IS, JP, KE, KG, KM, KN, KP, KR, KZ, LA, LC, LK, LR, LS, LT, LU, LV, LY, MA, MD, MG, MK, MN, MW, MX, MY, MZ, NA, NG, NI, NO, NZ, OM, PG, PH, PL, PT, RO, RS, RU, SC, SD, SE, SG, SK, SL, SM, SV, SY, TJ, TM, TN, TR, TT, TZ, UA, UG, US, UZ, VC, VN, ZA, ZM, ZW.

(84) Designated States (unless otherwise indicated, for every kind of regional protection available): ARIPO (BW, GH, GM, KE, LS, MW, MZ, NA, SD, SL, SZ, TZ, UG, ZM, ZW), Eurasian (AM, AZ, BY, KG, KZ, MD, RU, TJ, TM), European (AT, BE, BG, CH, CY, CZ, DE, DK, EE, ES, FI, FR, GB, GR, HU, IE, IS, IT, LT, LU, LV, MC, NL, PL, PT, RO, SE, SI, SK, TR), OAPI (BF, BJ, CF, CG, CI, CM, GA, GN, GQ, GW, ML, MR, NE, SN, TD, TG).

Declaration under Rule 4.17:

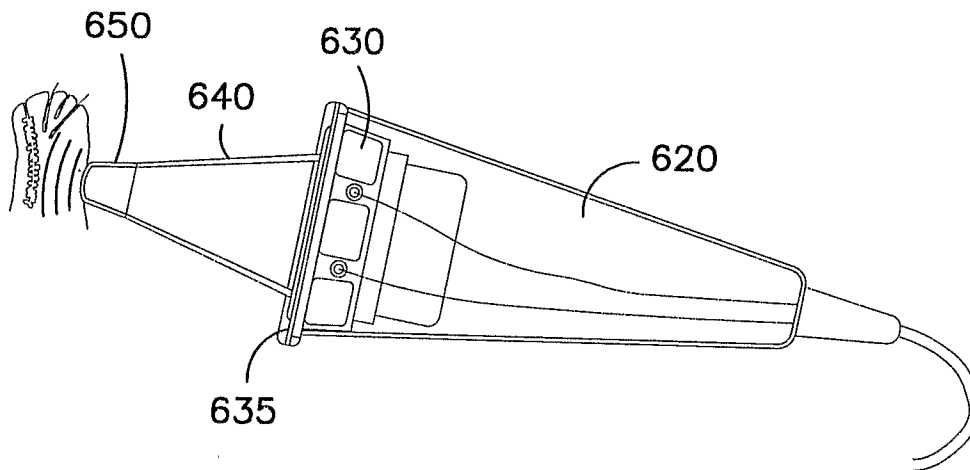
— as to applicant's entitlement to apply for and be granted a patent (Rule 4.17(ii))

Published:

— with international search report

(88) Date of publication of the international search report:
30 April 2009

(54) Title: METHOD AND APPARATUS FOR TREATING GLAND DYSFUNCTION



(57) Abstract: A method and apparatus for treating gland dysfunction caused by gland obstruction in order to restore the natural flow of secretion from the gland comprises the application of a combination of energy, suction, vibration, heat, aspiration, chemical agents and pharmacological agents to loosen and thereafter remove the obstructive material.

WO 2008/024100 A3

INTERNATIONAL SEARCH REPORT

International application No.

PCT/US06/32544

A. CLASSIFICATION OF SUBJECT MATTER
 IPC: **A61F 7/00** (2006.01)

 USPC: 607/96
 According to International Patent Classification (IPC) or to both national classification and IPC

B. FIELDS SEARCHED
 Minimum documentation searched (classification system followed by classification symbols)
 U.S. : 607/96

Documentation searched other than minimum documentation to the extent that such documents are included in the fields searched

Electronic data base consulted during the international search (name of data base and, where practicable, search terms used)

C. DOCUMENTS CONSIDERED TO BE RELEVANT

Category *	Citation of document, with indication, where appropriate, of the relevant passages	Relevant to claim No.
X	US 20050119629A1 (Soroudi) 2 June 2005 (2.06.2005), see the entire document.	1, 30, 54, 60, 69 and 81
X,T	US 20070016256A1 (Korb et al.) 18 January 2007 (18.01.2007), see the entire document.	1-86

Further documents are listed in the continuation of Box C. See patent family annex.

* Special categories of cited documents:		
"A"	document defining the general state of the art which is not considered to be of particular relevance	"T" later document published after the international filing date or priority date and not in conflict with the application but cited to understand the principle or theory underlying the invention
"E"	earlier application or patent published on or after the international filing date	"X" document of particular relevance; the claimed invention cannot be considered novel or cannot be considered to involve an inventive step when the document is taken alone
"L"	document which may throw doubts on priority claim(s) or which is cited to establish the publication date of another citation or other special reason (as specified)	"Y" document of particular relevance; the claimed invention cannot be considered to involve an inventive step when the document is combined with one or more other such documents, such combination being obvious to a person skilled in the art
"O"	document referring to an oral disclosure, use, exhibition or other means	
"P"	document published prior to the international filing date but later than the priority date claimed	"&" document member of the same patent family

Date of the actual completion of the international search 04 December 2007 (04.12.2007)	Date of mailing of the international search report 12 MAY 2008
Name and mailing address of the ISA/US Mail Stop PCT, Attn: ISA/US Commissioner for Patents P.O. Box 1450 Alexandria, Virginia 22313-1450 Facsimile No. (571) 273-3201	Authorized officer <i>Ahmed M. Farah</i> Ahmed M. Farah Telephone No. (571) 272-2975