

(19) World Intellectual Property Organization
International Bureau



(43) International Publication Date
6 March 2003 (06.03.2003)

PCT

(10) International Publication Number
WO 03/018195 A3

(51) International Patent Classification⁷: B01L 3/00,
9/00, C12M 1/34, C12N 1/00

(21) International Application Number: PCT/US02/24804

(22) International Filing Date: 30 July 2002 (30.07.2002)

(25) Filing Language: English

(26) Publication Language: English

(30) Priority Data:
09/924,384 8 August 2001 (08.08.2001) US

(71) Applicant: DADE MICROSCAN INC. [US/US]; 1584
Enterprise Boulevard, West Sacramento, CA 95691 (US).

(72) Inventors: GEBRIAN, Peter, Louis; 1306 Biggs Road,
Wilmington, DE 19805 (US). CAMERON, Allan, Lee;
1 Edson Road, South Natick, MA 01760 (US). MUDD,

Alan, Christopher; 25 Pierce Avenue, Beverly, MA
01915 (US). MCDERMOTT, Patrick, Francis; 13 Foster
Street, Oxford, MA 01540 (US). WEST, Adrian, Mark,
Thomas; 23 Wedgewood Road, West Newton, MA 02465
(US).

(74) Agents: TYMESON, Cynthia, G. et al.; Dade Behring
Inc., 1717 Deerfield Road, Deerfield, IL 60015 (US).

(81) Designated States (*national*): CA, JP.

(84) Designated States (*regional*): European patent (AT, BE,
BG, CH, CY, CZ, DE, DK, EE, ES, FI, FR, GB, GR, IE, IT,
LU, MC, NL, PT, SE, SK, TR).

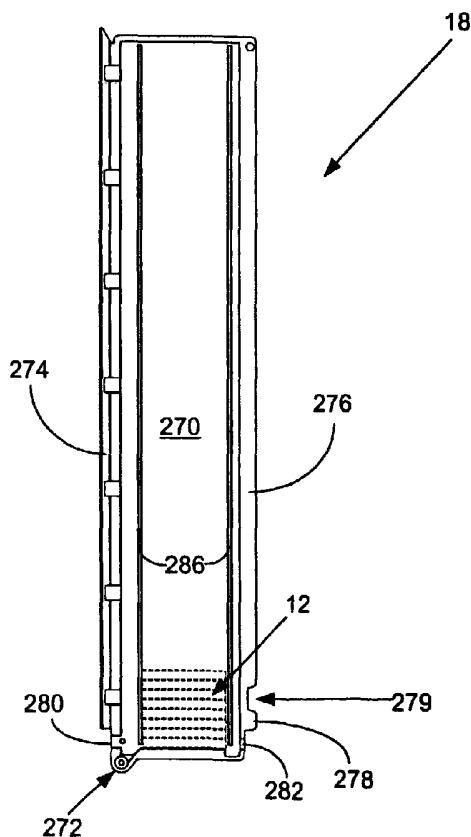
Declarations under Rule 4.17:

- as to applicant's entitlement to apply for and be granted a patent (Rule 4.17(ii)) for all designations
- as to the applicant's entitlement to claim the priority of the earlier application (Rule 4.17(iii)) for all designations

[Continued on next page]

(54) Title: CANISTER FOR INVENTORING SUSCEPTABILITY TEST DEVICES IN AN AUTOMATED MICROBIOLOGICAL ANALYZER

(57) Abstract: An elongate canister (18) having a generally rectangular cross-section sized to house a plurality of antibiotic susceptibility test arrays (12) stacked one atop another and maintained secure within an environmentally controlled inventory chamber (22) in a random access microbiological analyzer (10).



WO 03/018195 A3



Published:

— *with international search report*

For two-letter codes and other abbreviations, refer to the "Guidance Notes on Codes and Abbreviations" appearing at the beginning of each regular issue of the PCT Gazette.

(88) Date of publication of the international search report:

21 August 2003

INTERNATIONAL SEARCH REPORT

International application No.

PCT/US02/24804

A. CLASSIFICATION OF SUBJECT MATTER		
IPC(7) : B01L 3/00, 9/00; C12M 1/34; C12N 1/00 US CL : 422/102,104; 435/287.3, 287.4, 809		
According to International Patent Classification (IPC) or to both national classification and IPC		
B. FIELDS SEARCHED		
Minimum documentation searched (classification system followed by classification symbols) U.S. : 422/102,104; 435/287.3, 287.4, 809		
Documentation searched other than minimum documentation to the extent that such documents are included in the fields searched		
Electronic data base consulted during the international search (name of data base and, where practicable, search terms used)		
C. DOCUMENTS CONSIDERED TO BE RELEVANT		
Category *	Citation of document, with indication, where appropriate, of the relevant passages	Relevant to claim No.
X	US 5,292,484 A (KELLN et al.) 8 March 1994, see figure 9.	1,2
X	US 5,863,800 A (EIKMEIER et al.) 26 January 1999, see figure 1.	1
A	US 4,643,879 A (HANAWAY) 17 February 1987, see figure 2.	1-10
A	US 5,538,688 A (TEZUKA et al.) 23 July 1996, see element 22.	1-10
<input type="checkbox"/> Further documents are listed in the continuation of Box C. <input type="checkbox"/> See patent family annex.		
* Special categories of cited documents:		
"A"	document defining the general state of the art which is not considered to be of particular relevance	"T" later document published after the international filing date or priority date and not in conflict with the application but cited to understand the principle or theory underlying the invention
"E"	earlier application or patent published on or after the international filing date	"X" document of particular relevance; the claimed invention cannot be considered novel or cannot be considered to involve an inventive step when the document is taken alone
"L"	document which may throw doubts on priority claim(s) or which is cited to establish the publication date of another citation or other special reason (as specified)	"Y" document of particular relevance; the claimed invention cannot be considered to involve an inventive step when the document is combined with one or more other such documents, such combination being obvious to a person skilled in the art
"O"	document referring to an oral disclosure, use, exhibition or other means	"&" document member of the same patent family
"P"	document published prior to the international filing date but later than the priority date claimed	
Date of the actual completion of the international search 19 February 2003 (19.02.2003)		Date of mailing of the international search report 07 MAR 2003
Name and mailing address of the ISA/US Commissioner of Patents and Trademarks Box PCT Washington, D.C. 20231 Facsimile No. (703)305-3230		Authorized officer David A Redding <i>David Redding</i> Telephone No. 703-308-0661