



US00D500626S

(12) **United States Design Patent**
Ranzoni

(10) **Patent No.:** **US D500,626 S**

(45) **Date of Patent:** **** Jan. 11, 2005**

(54) **PLUNCHER**

(75) **Inventor:** **Francesco Ranzoni, Chiari (IT)**

(73) **Assignee:** **Bialetti Industrie S.p.A., Omegna (IT)**

(**) **Term:** **14 Years**

(21) **Appl. No.:** **29/177,130**

(22) **Filed:** **Mar. 5, 2003**

(30) **Foreign Application Priority Data**

Sep. 6, 2002 (WO) DMA/005910

(51) **LOC (7) Cl.** **07-01**

(52) **U.S. Cl.** **D7/317; D7/319**

(58) **Field of Search** **D7/300, 312, 316,**
D7/317, 318, 319, 322; 220/504, 300; 215/398,
12.1; 222/189, 465.1, 144.5; 210/282

(56) **References Cited**

U.S. PATENT DOCUMENTS

D236,177 S	*	8/1975	Reyda	D7/317
D236,179 S	*	8/1975	Greger	D7/317
D308,460 S	*	6/1990	Balzano	D7/317
D316,206 S	*	4/1991	Daenen et al.	D7/317
D342,414 S	*	12/1993	Jorgensen	D7/317
D343,333 S	*	1/1994	Jorgensen	D7/317

D372,627 S	*	8/1996	Ireland	D7/319
D377,132 S	*	1/1997	Jørgensen	D7/318
D386,040 S	*	11/1997	Joergensen	D7/317
D447,379 S	*	9/2001	DiNunzio et al.	D7/376
D448,235 S	*	9/2001	Jørgensen	D7/319
D448,601 S	*	10/2001	Yeh	D7/319
D448,602 S	*	10/2001	Bodum	D7/319
D448,603 S	*	10/2001	Yeh	D7/319
D449,760 S	*	10/2001	Yeh	D7/319
D449,957 S	*	11/2001	Yeh	D7/319

* cited by examiner

Primary Examiner—M. N. Pandozzi

(74) *Attorney, Agent, or Firm*—Hogan & Hartson L.L.P.

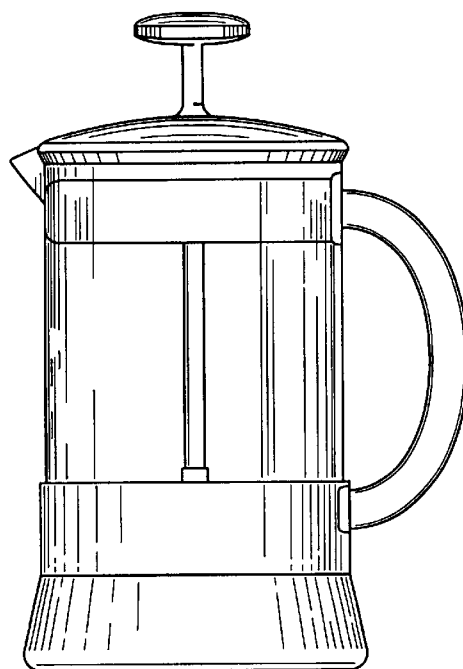
(57) **CLAIM**

The ornamental design for a pluncher, as shown and described.

DESCRIPTION

FIG. 1 is a perspective view of the pluncher;
FIG. 2 is a side view of the pluncher;
FIG. 3 is a back view of the pluncher;
FIG. 4 is a front view of the pluncher;
FIG. 5 is a top view of the pluncher; and,
FIG. 6 is a bottom view of the pluncher.

1 Claim, 6 Drawing Sheets



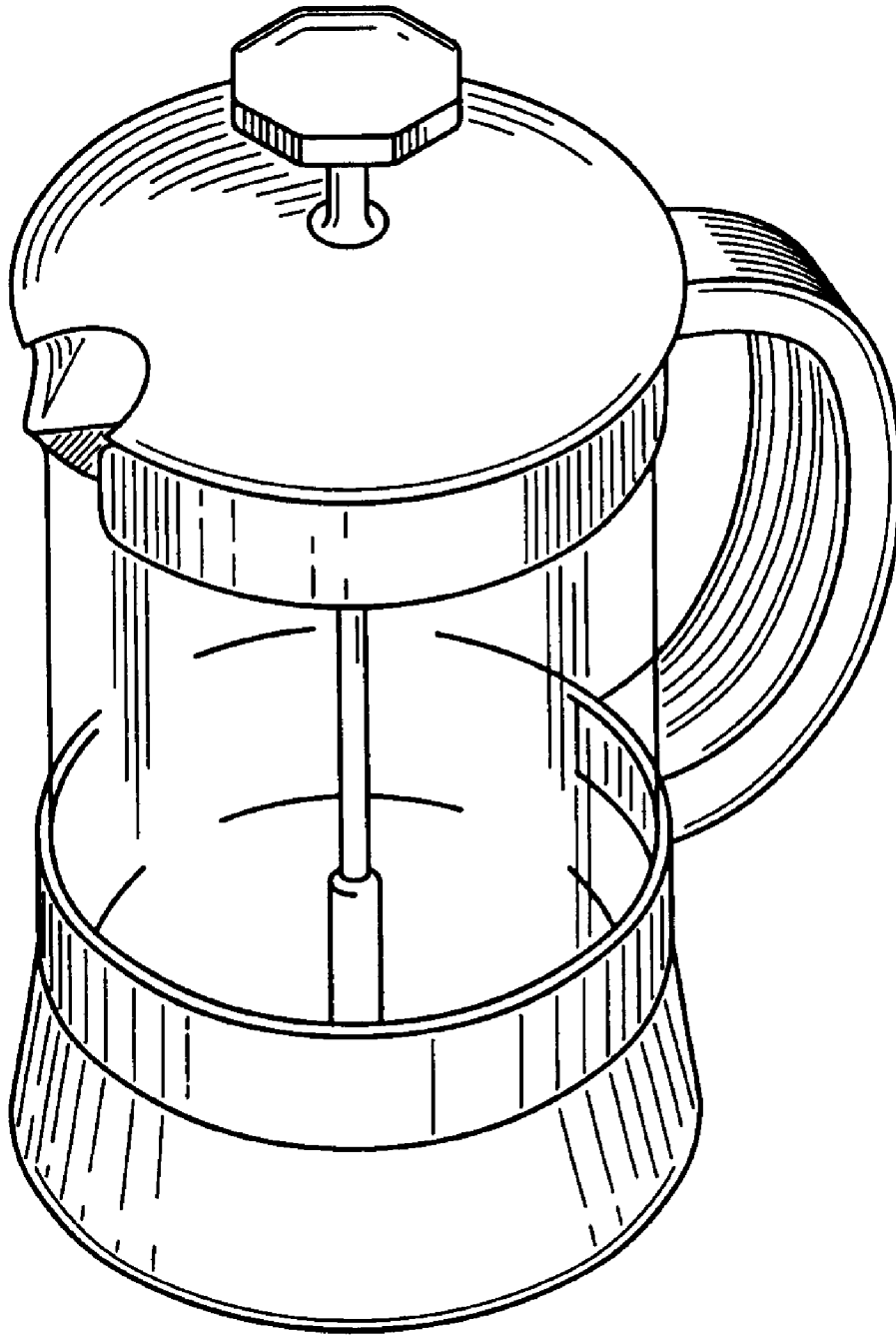


FIG. 1

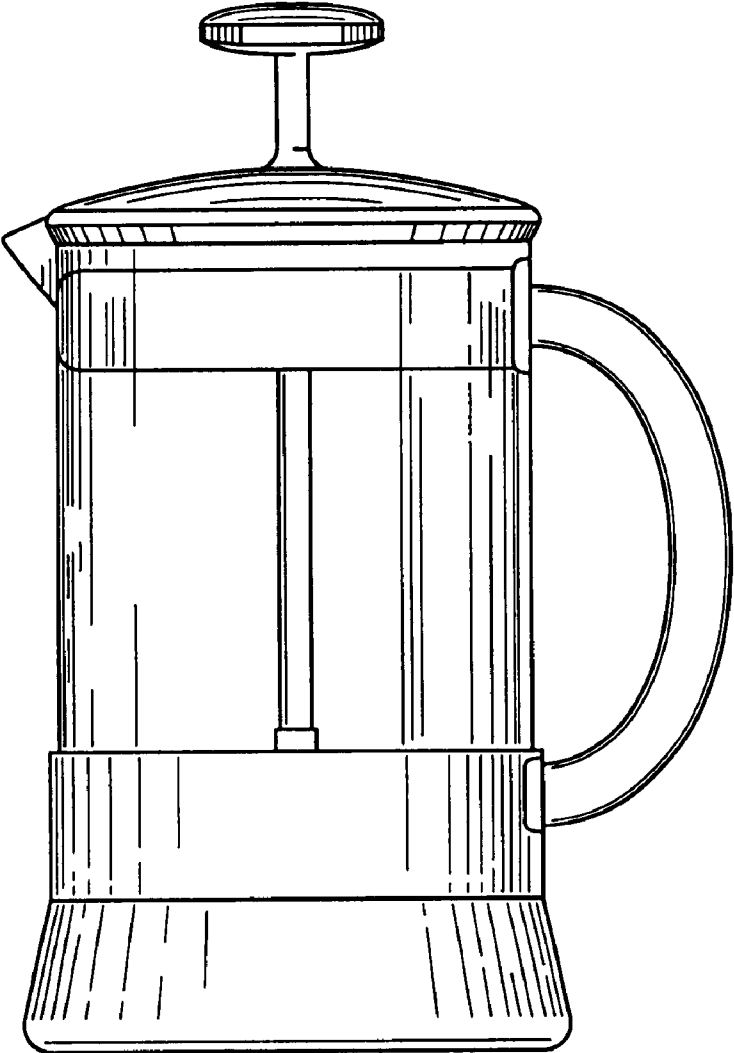


FIG. 2

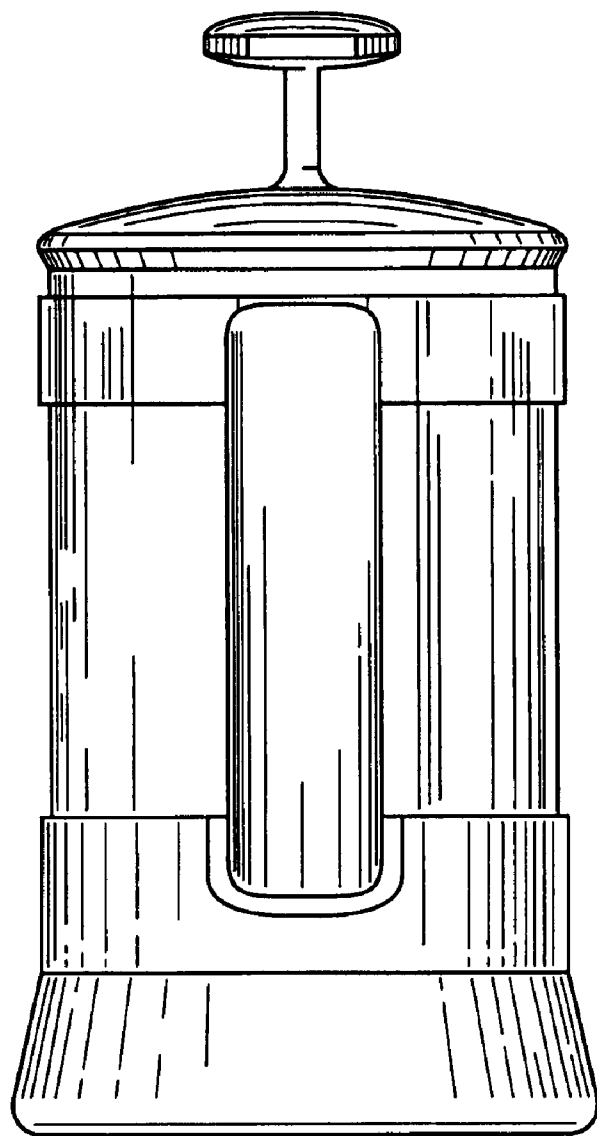


FIG. 3

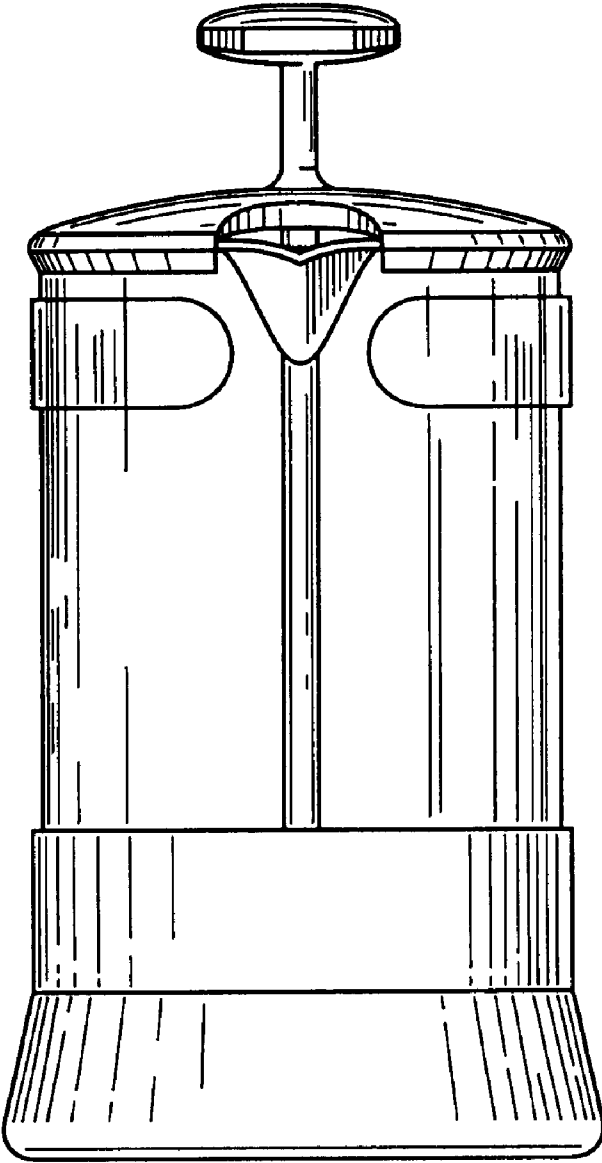


FIG. 4

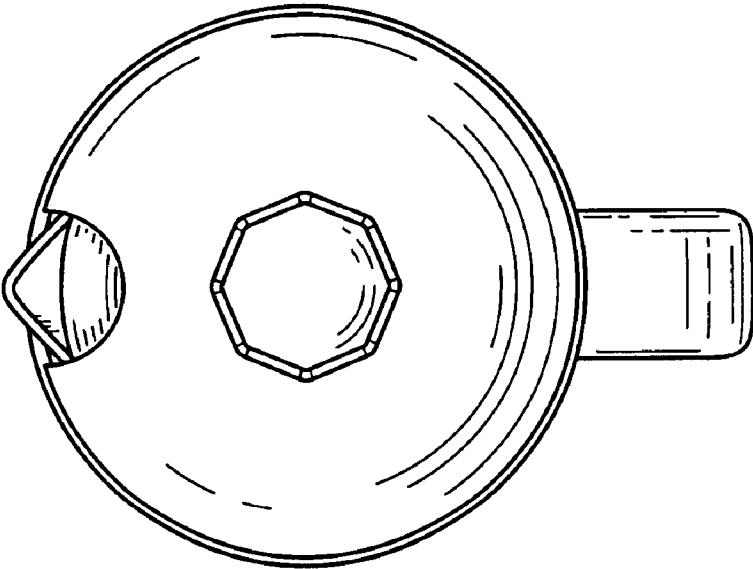


FIG. 5

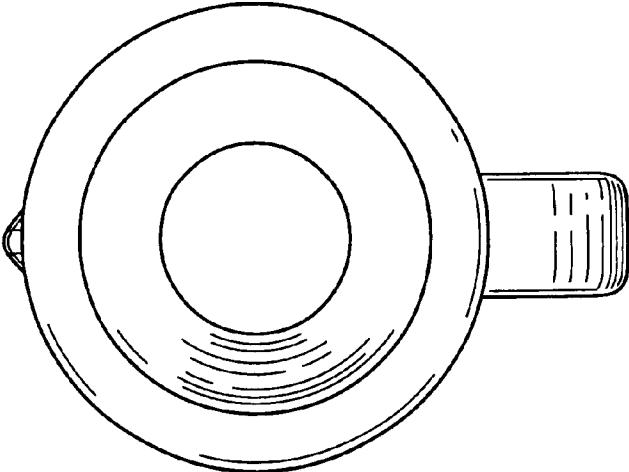


FIG. 6