



US00D831766S

(12) **United States Design Patent**
Schweigert

(10) **Patent No.:** **US D831,766 S**

(45) **Date of Patent:** **** Oct. 23, 2018**

(54) **GOLD CLUB HEAD**

OTHER PUBLICATIONS

(71) Applicant: **PARSONS XTREME GOLF, LLC**,
Scottsdale, AZ (US)

U.S. Appl. No. 29/523,587, Schweigert, "Golf Club Head," filed
Apr. 10, 2015.

(Continued)

(72) Inventor: **Bradley D. Schweigert**, Anthem, AZ
(US)

Primary Examiner — Mitchell I. Siegel

(73) Assignee: **PARSONS XTREME GOLF, LLC**,
Scottsdale, AZ (US)

(57) **CLAIM**

(**) Term: **15 Years**

The ornamental design for a golf club head, as shown and
described.

(21) Appl. No.: **29/609,415**

DESCRIPTION

(22) Filed: **Jun. 30, 2017**

Related U.S. Application Data

(63) Continuation-in-part of application No. 29/604,609,
filed on May 18, 2017.

(51) **LOC (11) Cl.** **21-02**

(52) **U.S. Cl.** **D21/743**
USPC

(58) **Field of Classification Search**
USPC D21/736-746, 759
CPC A63B 53/00; A63B 53/04; A63B 53/007;
A63B 53/065; A63B 53/0487; A63B
60/00; A63B 60/46

See application file for complete search history.

FIG. 1 is a top perspective view of a golf club head;
FIG. 2 is a bottom perspective view of the golf club head of
FIG. 1;
FIG. 3 is a front elevational view of the golf club head of
FIG. 1;
FIG. 4 is a rear elevational view of the golf club head of FIG.
1;
FIG. 5 is a top view of the golf club head of FIG. 1;
FIG. 6 is a bottom view of the golf club head of FIG. 1;
FIG. 7 is a left side view of the golf club head of FIG. 1;
FIG. 8 is a right side view of the golf club head of FIG. 1;
FIG. 9 is a top perspective view of a second embodiment of
a golf club head;
FIG. 10 is a bottom perspective view of the golf club head
of FIG. 9;
FIG. 11 is a front elevational view of the golf club head of
FIG. 9;
FIG. 12 is a rear elevational view of the golf club head of
FIG. 9;
FIG. 13 is a top view of the golf club head of FIG. 9;
FIG. 14 is a bottom view of the golf club head of FIG. 9;
FIG. 15 is a left side view of the golf club head of FIG. 9;
and,
FIG. 16 is a right side view of the golf club head of FIG. 9.
The broken lines are included for the purpose of illustration
only. None of the broken lines forms part of the claimed
design.

(56) **References Cited**

U.S. PATENT DOCUMENTS

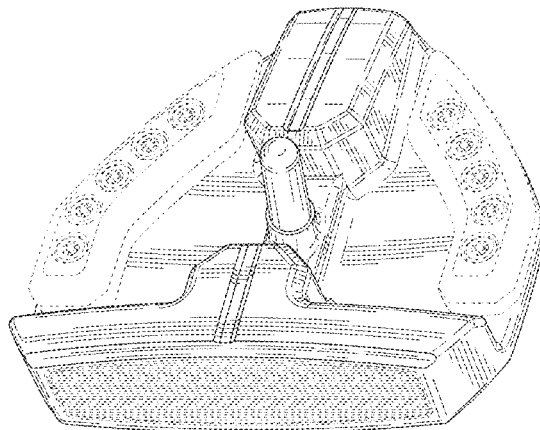
922,444 A	5/1909	Youds
RE19,178 E	5/1934	Spiker
4,043,562 A	6/1977	Shillington
4,754,977 A	7/1988	Sahm
4,869,507 A	9/1989	Sahm
D335,317 S	5/1993	Shearer
D335,692 S	5/1993	Antonious

(Continued)

FOREIGN PATENT DOCUMENTS

JP 2005/160691 A 6/2005

1 Claim, 12 Drawing Sheets



(56)

References Cited

U.S. PATENT DOCUMENTS

D336,757 S	6/1993	Antonious	D579,995 S	11/2008	Nicolette et al.
D350,582 S	9/1994	Miansian et al.	D582,497 S	12/2008	Rollinson
5,429,366 A	7/1995	McCabe	7,473,189 B2	1/2009	Schweigert et al.
D363,101 S	10/1995	Sturm	7,491,131 B2*	2/2009	Vinton A63B 53/0487 473/251
D365,864 S	1/1996	Sturm	D595,793 S	7/2009	Rollinson
5,489,097 A	2/1996	Simmons	D599,425 S	9/2009	Laub
D368,751 S	4/1996	Rife	D600,763 S	9/2009	Cameron
D369,393 S	4/1996	Takahashi et al.	7,744,485 B2	6/2010	Jones et al.
5,571,053 A	11/1996	Lane	D620,993 S	8/2010	Laub
D378,688 S	4/1997	Cameron	D621,461 S	8/2010	Serrano
D385,609 S	10/1997	Cameron	D623,709 S	9/2010	Serrano et al.
5,683,307 A	11/1997	Rife	D631,925 S	2/2011	Broom
5,685,784 A *	11/1997	Butler A63B 53/0487 473/255	7,887,432 B2	2/2011	Jones et al.
D388,143 S	12/1997	Huan-Chiang	7,909,707 B2	3/2011	Klein
D389,207 S	1/1998	Cameron	7,918,745 B2	4/2011	Morris et al.
D396,685 S	9/1998	Masuda	D636,891 S	5/2011	Nicolette et al.
D399,290 S	10/1998	Sizemore, Jr.	D642,643 S	8/2011	Nicolette et al.
D399,911 S	10/1998	Nicolette et al.	D643,485 S	8/2011	Nicolette et al.
5,839,974 A	11/1998	McAllister	D645,104 S	9/2011	Nicolette et al.
D405,836 S	2/1999	Nicolette et al.	8,096,039 B2	1/2012	Soracco et al.
D409,701 S	5/1999	Ashcraft et al.	D653,718 S	2/2012	Stokke et al.
5,924,938 A	7/1999	Hines	D661,753 S	6/2012	Cameron et al.
D422,655 S	4/2000	Hicks	D666,260 S	8/2012	Cynn
D426,276 S	6/2000	Besnard et al.	8,376,878 B2	2/2013	Bennett et al.
D431,854 S	10/2000	Cameron	D688,341 S	6/2013	Rollinson
D432,192 S	10/2000	Hicks	D688,339 S	8/2013	Hilton et al.
D436,151 S	1/2001	Nicolette et al.	D691,226 S	10/2013	Hilton et al.
D437,374 S	2/2001	Cameron	D699,308 S	2/2014	Rollinson
D441,820 S	5/2001	Nicolette et al.	D704,782 S	5/2014	Rollinson
D443,668 S	6/2001	Nicolette et al.	8,721,472 B2	5/2014	Kuan et al.
D443,905 S	6/2001	Nicolette et al.	8,790,193 B2	7/2014	Serrano et al.
D444,833 S	7/2001	Wells et al.	D711,483 S	8/2014	Wong
6,264,571 B1	7/2001	Lekavich	D715,388 S	10/2014	Serrano
D449,664 S	10/2001	Beebe et al.	D722,350 S	2/2015	Schweigert
D449,865 S	10/2001	Fife, Jr. et al.	D722,351 S *	2/2015	Parsons D21/736
D450,799 S	11/2001	Nicolette et al.	D722,352 S	2/2015	Nicolette et al.
D451,973 S	12/2001	Wells et al.	D723,120 S	2/2015	Nicolette
6,348,014 B1	2/2002	Chiu	D724,164 S	3/2015	Schweigert et al.
6,354,959 B1	3/2002	Nicolette et al.	D725,208 S *	3/2015	Schweigert D21/743
6,394,910 B1	5/2002	McCarthy	D726,265 S	4/2015	Nicolette
D472,949 S	4/2003	Serrano	D726,846 S *	4/2015	Schweigert D21/743
D474,821 S	5/2003	Wells et al.	D730,462 S	5/2015	Becktor
D474,949 S	5/2003	Schaffeld et al.	D732,122 S	6/2015	Becktor
D483,086 S	12/2003	Schweigert et al.	D732,618 S	6/2015	Becktor
D486,872 S	2/2004	Schweigert et al.	D733,234 S	6/2015	Nicolette
D488,200 S	4/2004	Olsavsky	D738,447 S	9/2015	Schweigert
D498,276 S	11/2004	Schweigert et al.	D738,449 S *	9/2015	Schweigert D21/759
6,902,496 B2	6/2005	Solheim et al.	D739,487 S	9/2015	Schweigert
D512,116 S	11/2005	Miraflor et al.	D741,426 S	10/2015	Schweigert
6,988,956 B2	1/2006	Cover et al.	D748,213 S *	1/2016	Parsons D21/742
D520,088 S	5/2006	Parr	D748,215 S *	1/2016	Parsons D21/759
D531,242 S	10/2006	Adams	9,233,263 B2	1/2016	Schweigert
D532,067 S	11/2006	Soracco et al.	D750,186 S *	2/2016	Schweigert D21/746
7,153,220 B2	12/2006	Lo	D753,252 S *	4/2016	Schweigert D21/759
D534,595 S	1/2007	Hasebe	9,440,124 B2	9/2016	Parsons et al.
7,156,752 B1	1/2007	Bennett	D783,101 S *	4/2017	Schweigert D21/736
D536,401 S	2/2007	Kawami	D796,604 S *	9/2017	Serrano D21/744
D536,403 S	2/2007	Kawami	D801,458 S *	10/2017	Rollinson D21/742
D538,371 S	3/2007	Kawami	9,895,585 B2*	2/2018	Kroloff A63B 53/0487
7,204,765 B2	4/2007	Cover et al.	D815,703 S *	4/2018	Schweigert D21/736
D542,869 S	5/2007	Adams	2007/0142122 A1	6/2007	Bonneau
D543,598 S	5/2007	Kuan et al.	2007/0207875 A1	9/2007	Kuan et al.
D543,601 S	5/2007	Kawami	2007/0238548 A1	10/2007	Johnson
D555,219 S	11/2007	Lin	2008/0139333 A1	6/2008	Klein
D556,277 S	11/2007	Broom	2008/0146372 A1	6/2008	John
D561,854 S	2/2008	Morris	2008/0176672 A1	7/2008	Roach et al.
7,331,876 B2	2/2008	Klein	2011/0165959 A1	7/2011	Klein
7,351,162 B2	4/2008	Soracco et al.	2013/0165256 A1	6/2013	Stevenson
D569,461 S	5/2008	Morris	2013/0210537 A1	8/2013	Ainscough et al.
D569,930 S	5/2008	Nehrbas			
7,396,289 B2	7/2008	Soracco et al.			
D577,085 S	9/2008	Nicolette et al.			
D577,086 S	9/2008	Nicolette et al.			
D579,506 S	10/2008	Nicolette et al.			

OTHER PUBLICATIONS

TourSpecGolf (Gold's Factory Multi Weighted Custom Putter) [online]. Nov. 20, 2010 [retrieved Apr. 21, 2016]. Retrieved from the internet: <URL: <http://www.tourSpecgolf.com/blog/golds-factory-multi-weighted-custom-putter/>>.

* cited by examiner

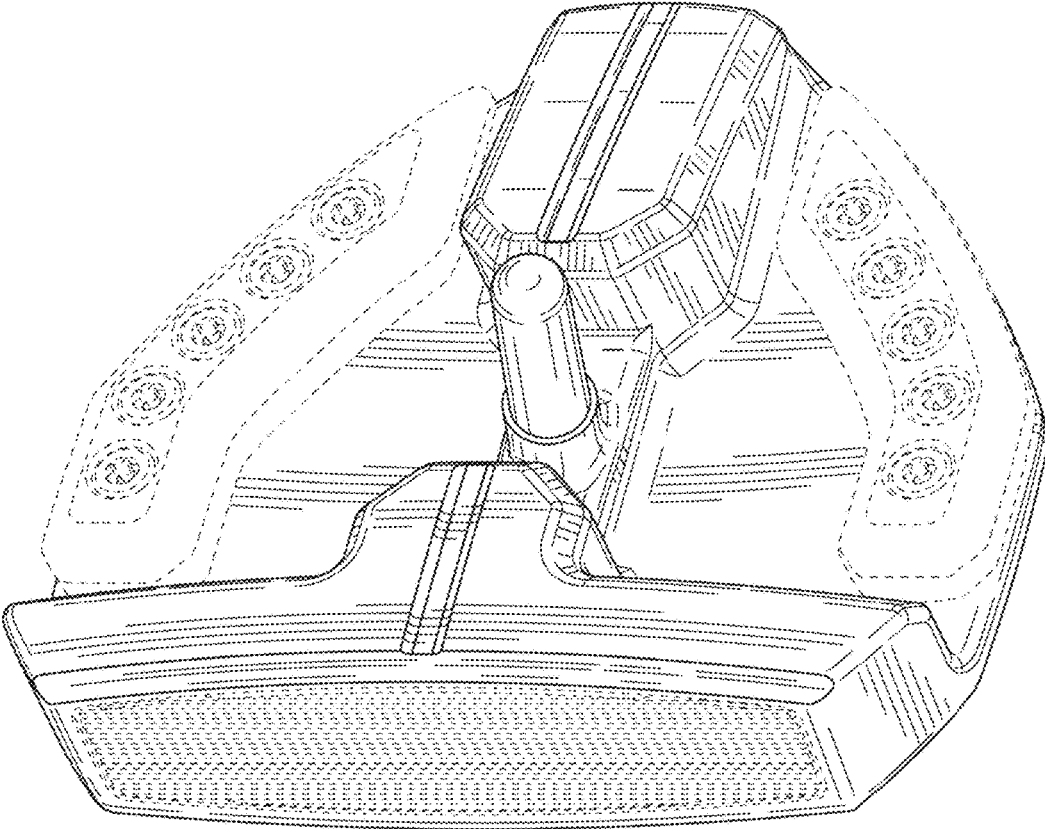


FIG. 1

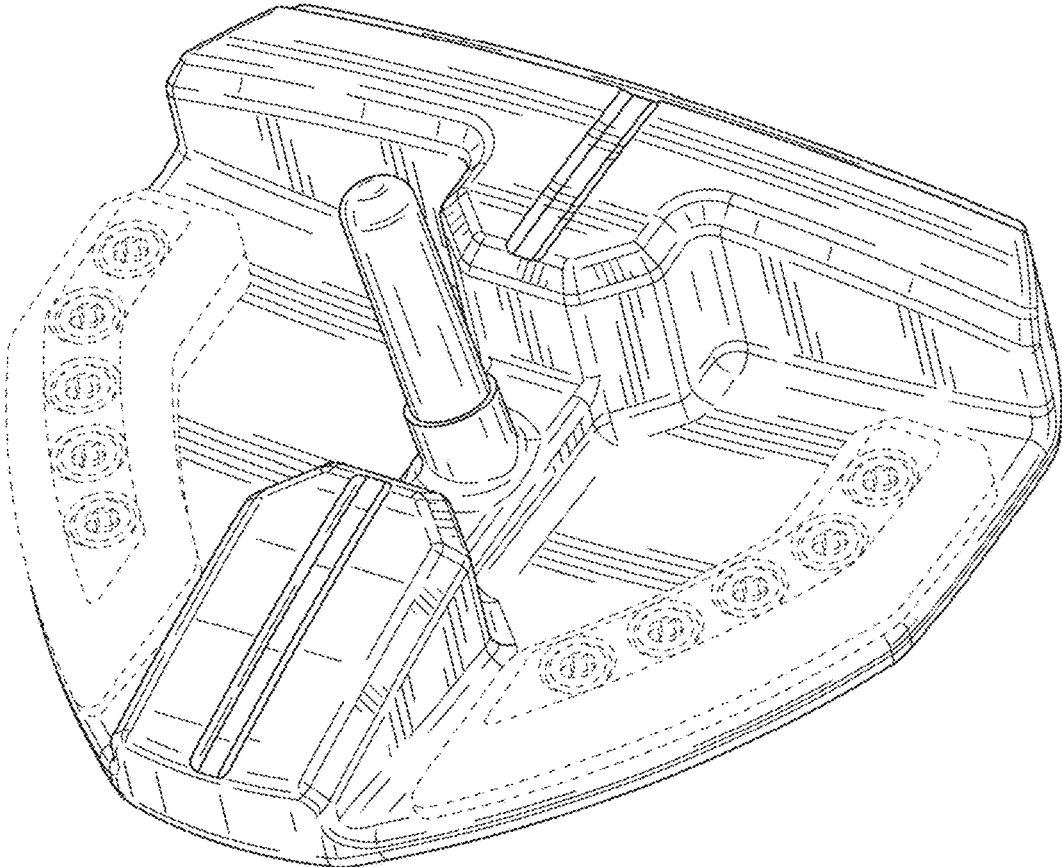


FIG. 2

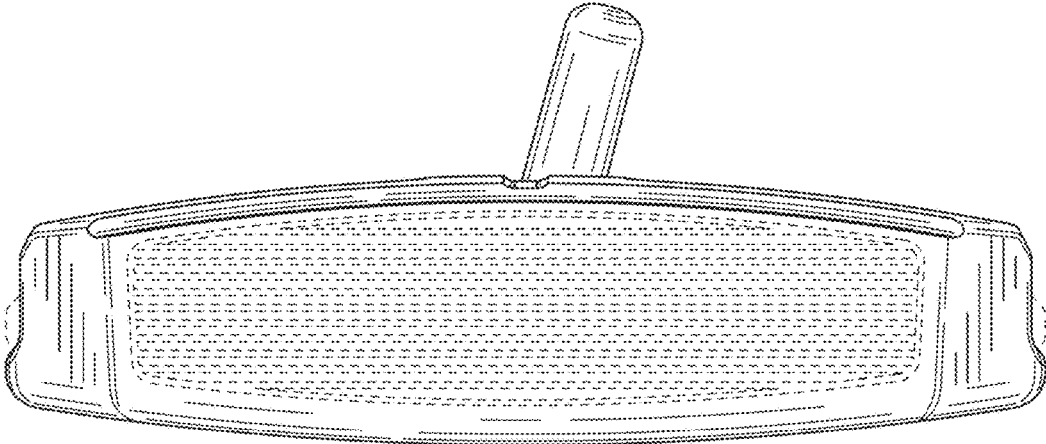


FIG. 3

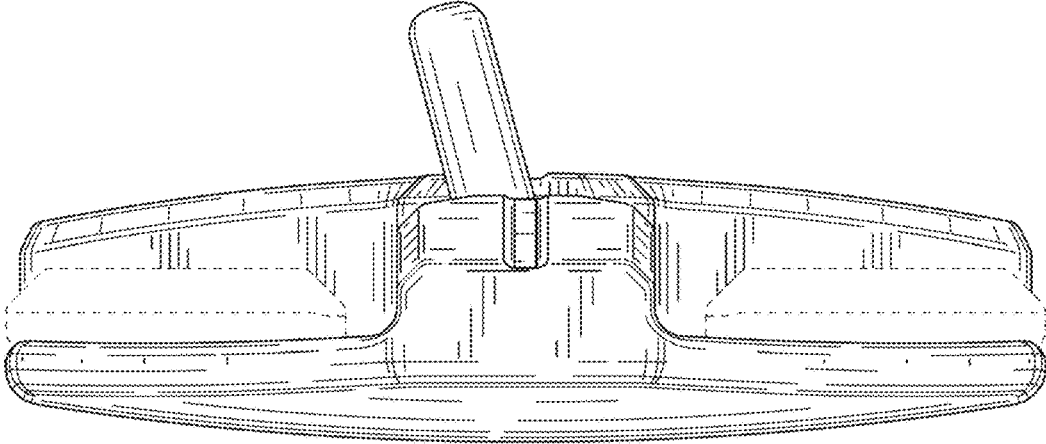


FIG. 4

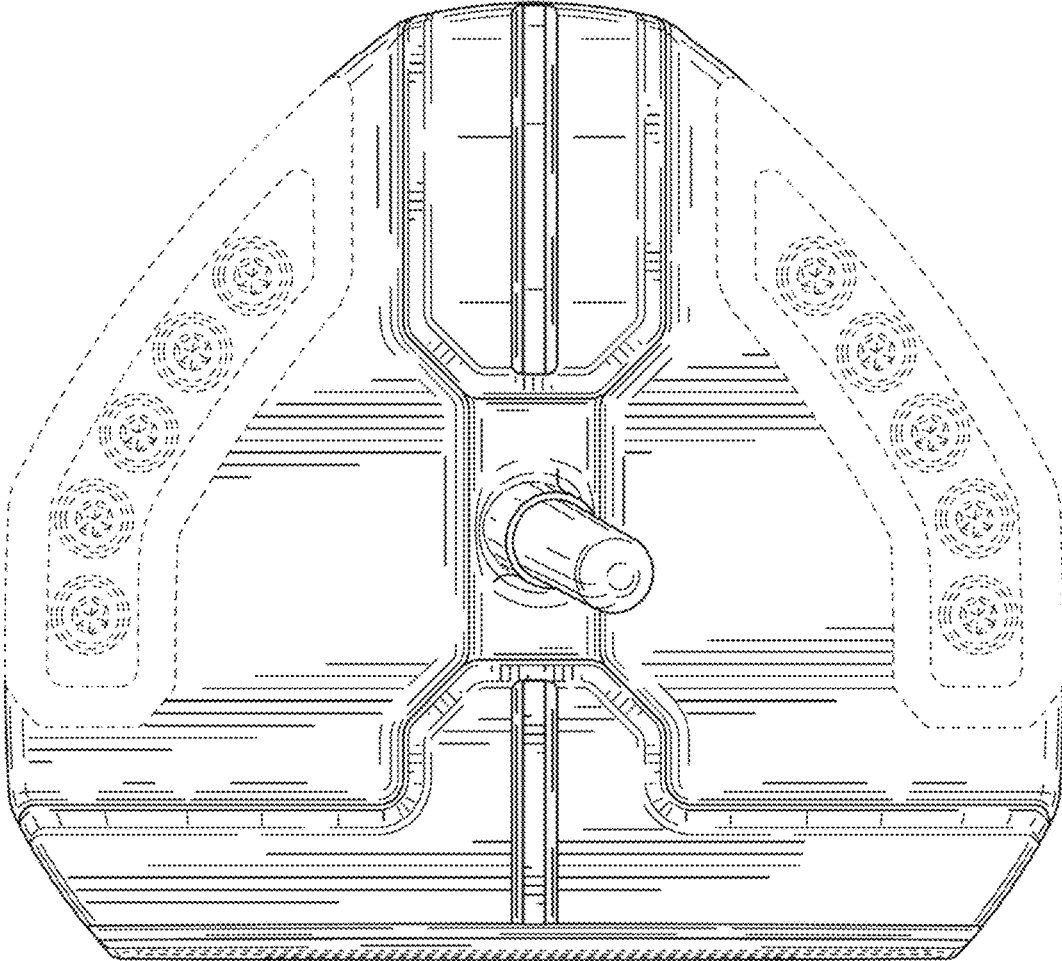


FIG. 5

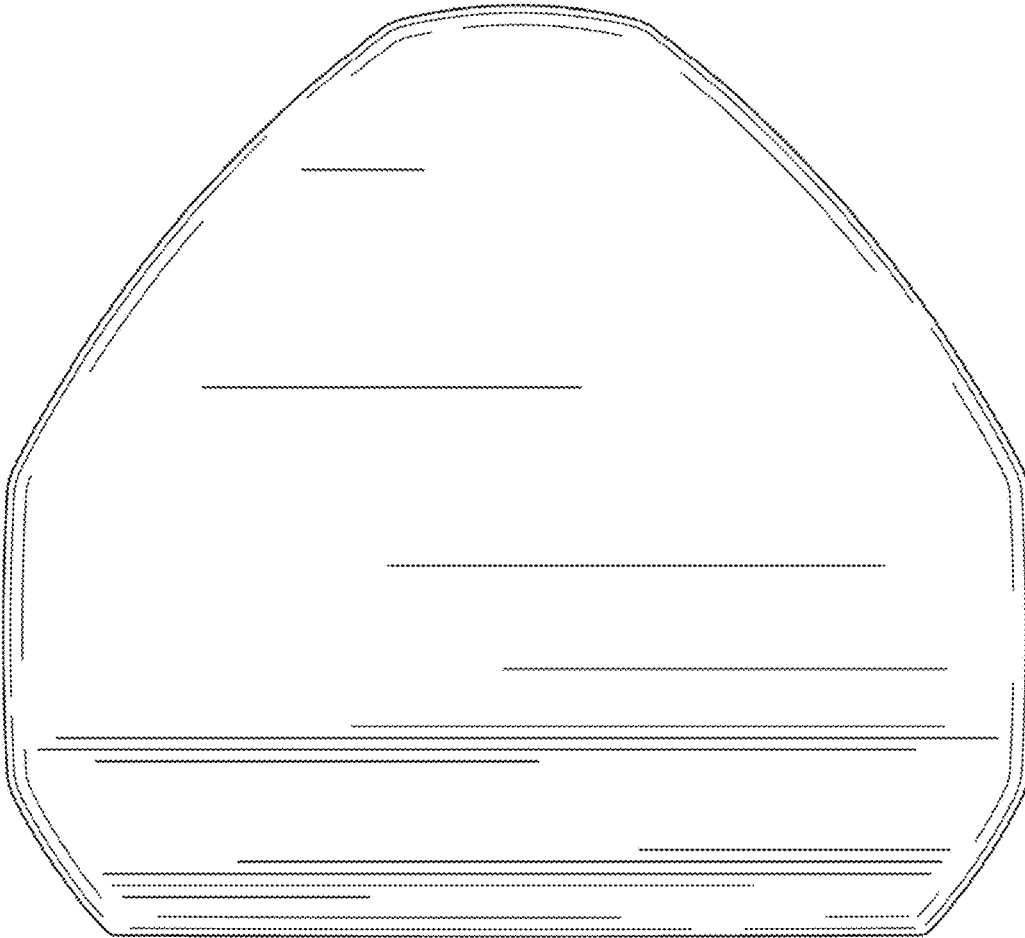


FIG. 6

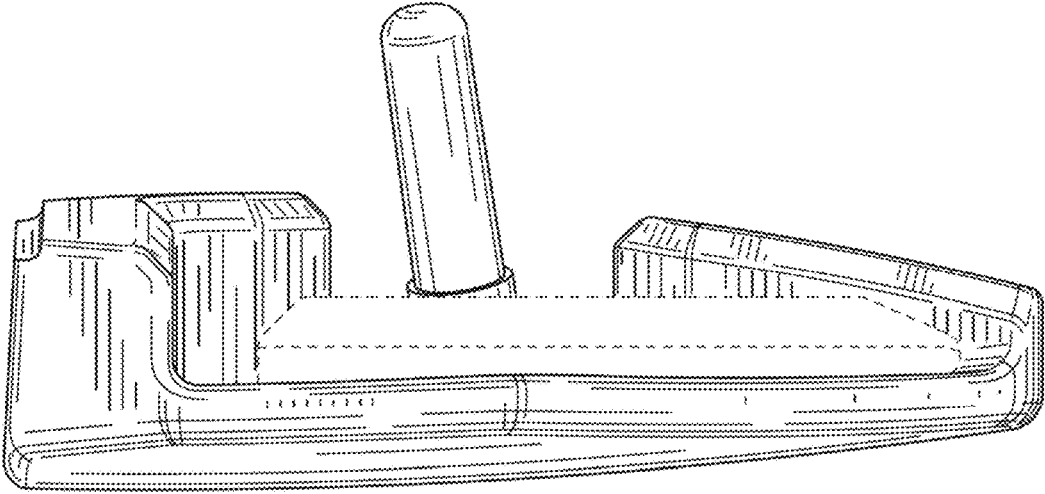


FIG. 7

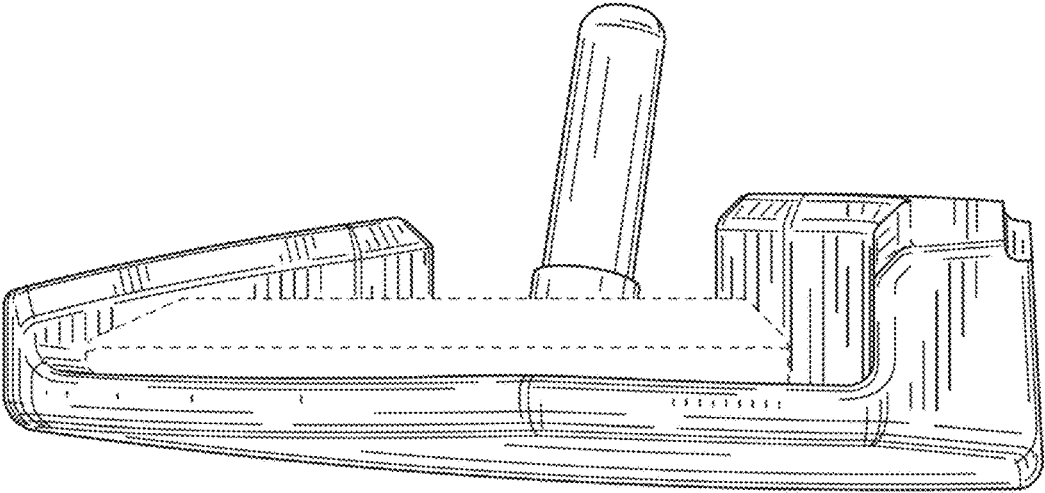


FIG. 8

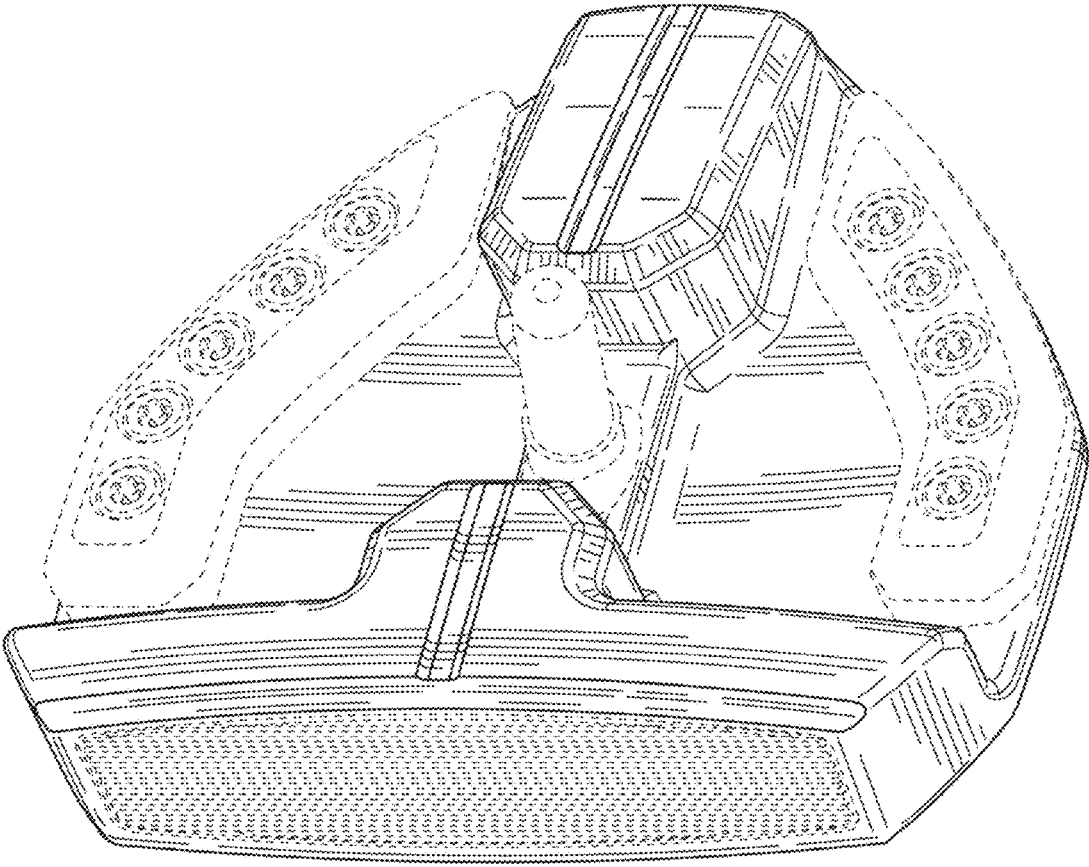


FIG. 9

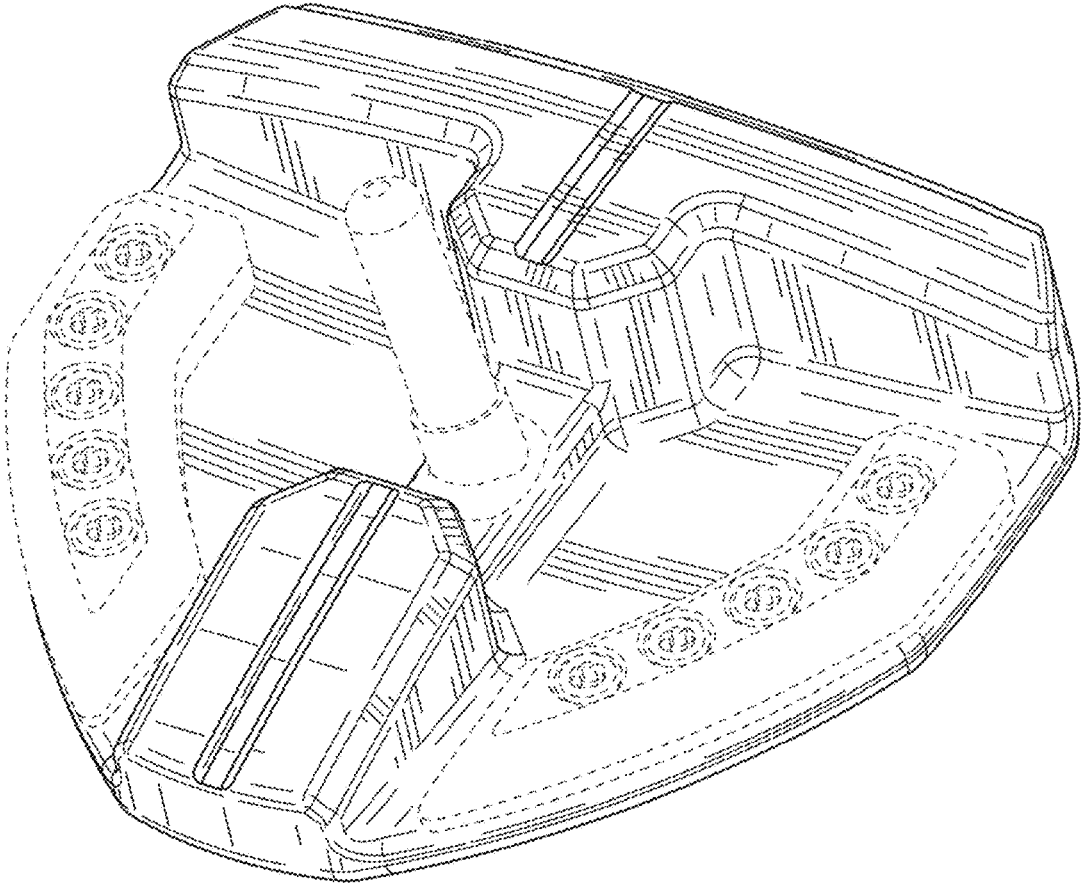


FIG. 10

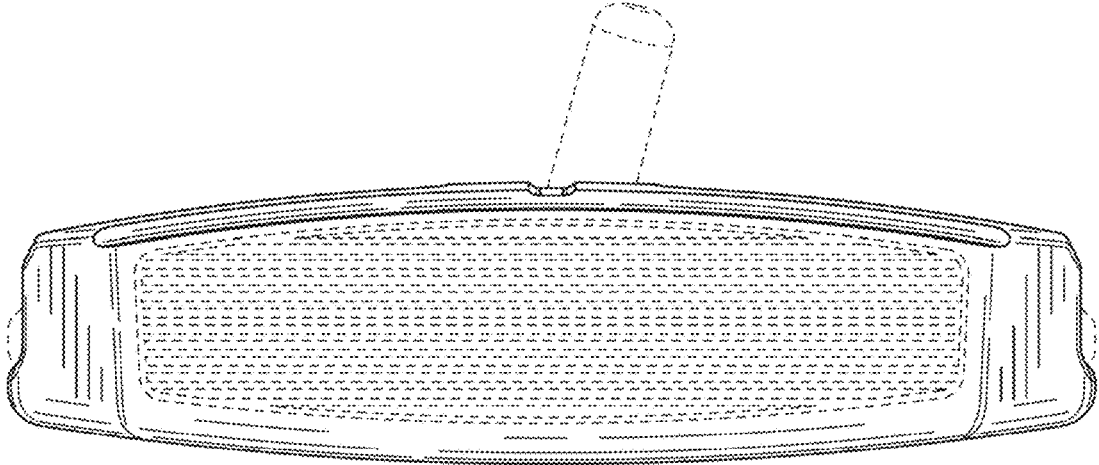


FIG. 11

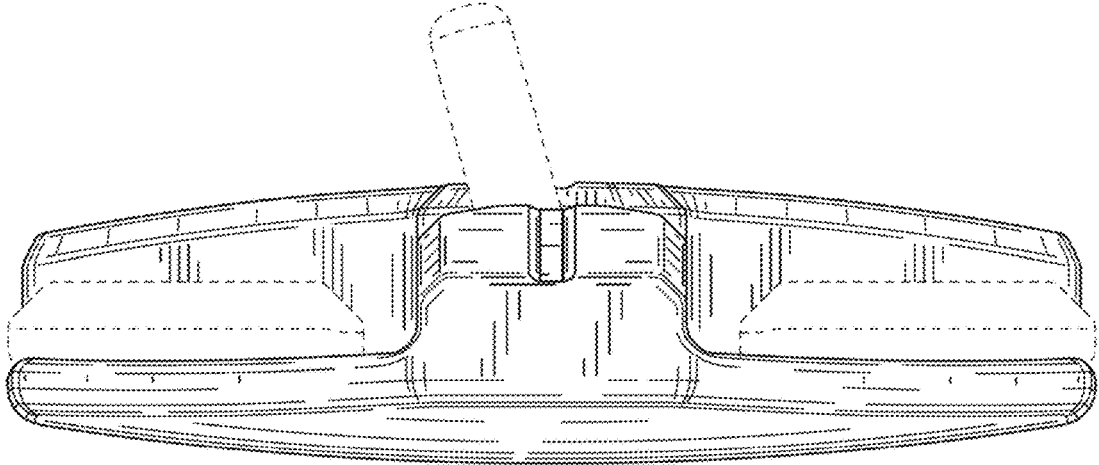


FIG. 12

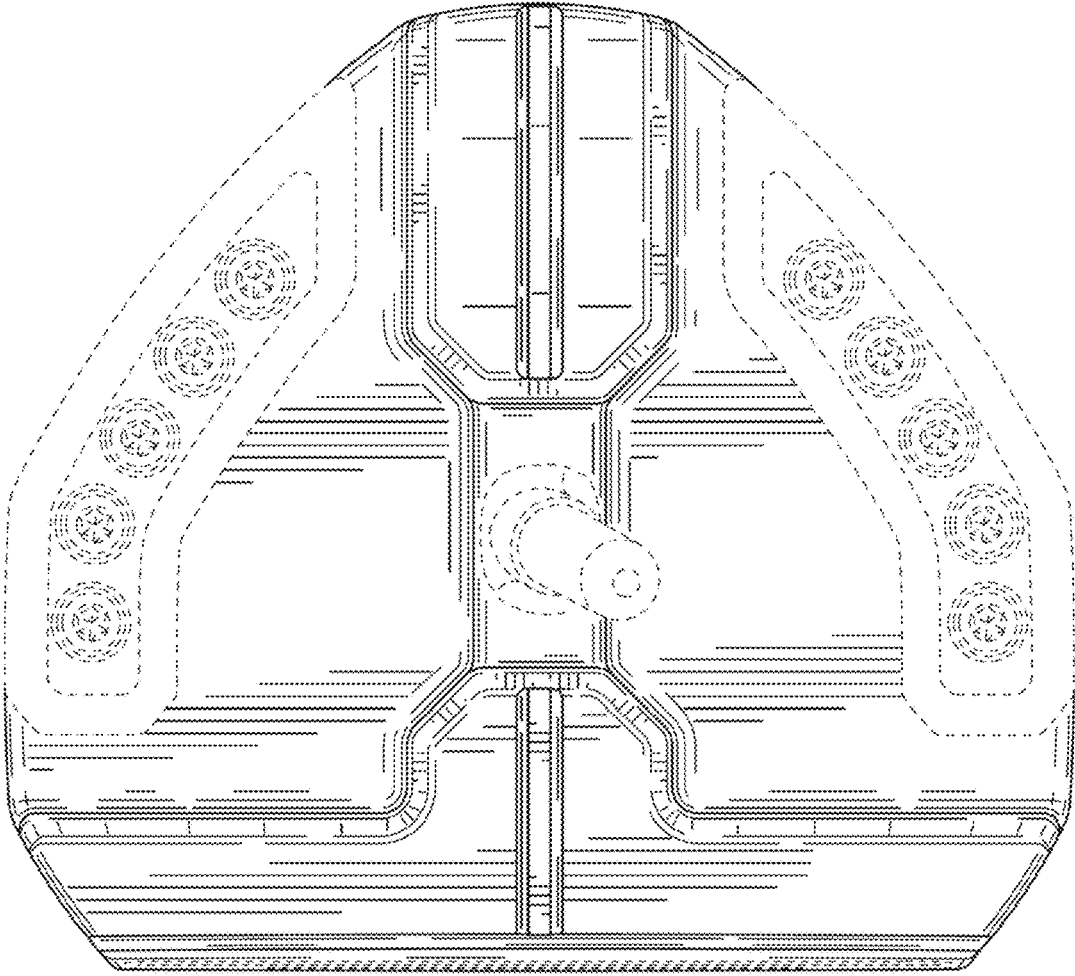


FIG. 13

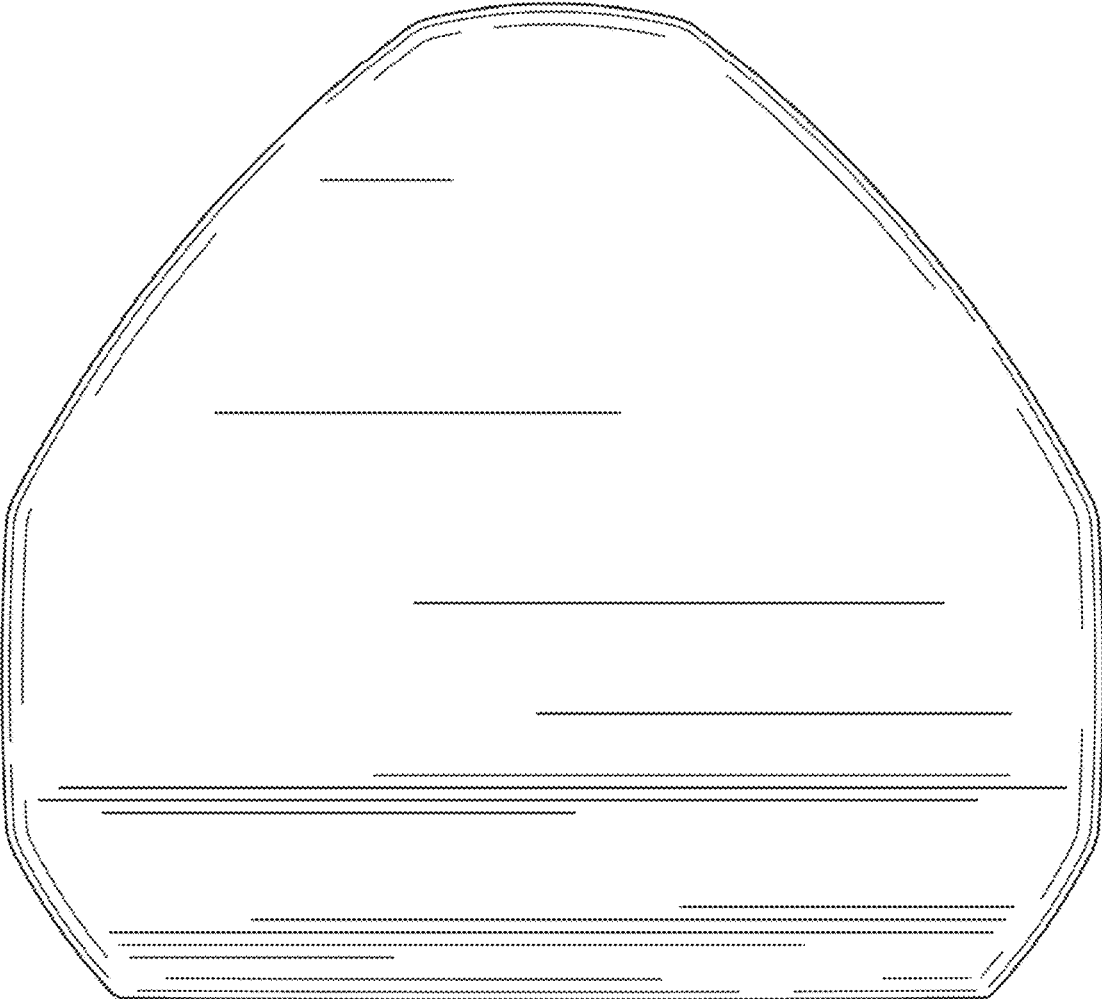


FIG. 14

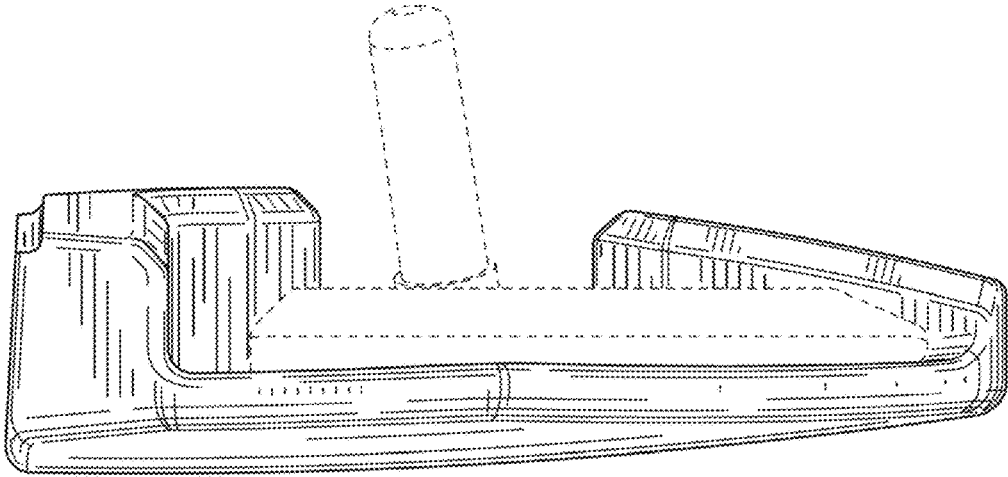


FIG. 15

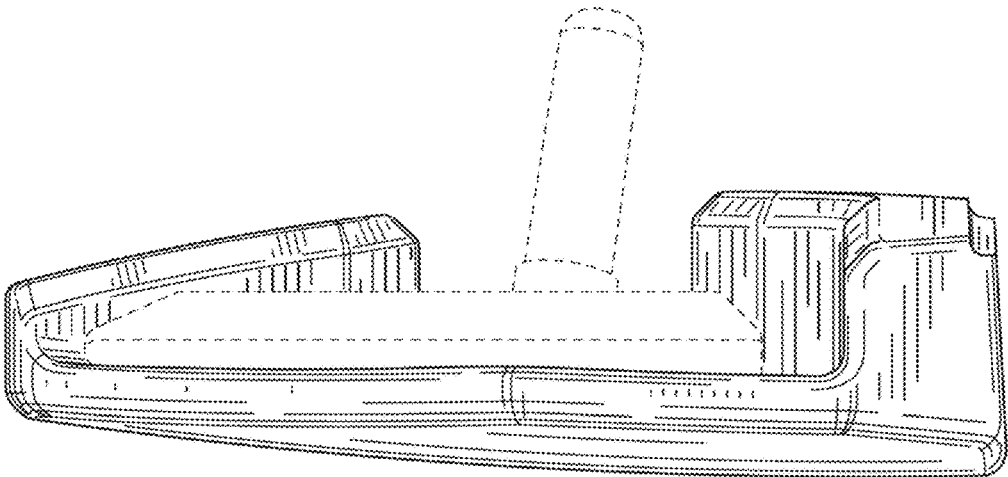


FIG. 16