

(19) World Intellectual Property Organization
International Bureau



(43) International Publication Date
23 December 1999 (23.12.1999)

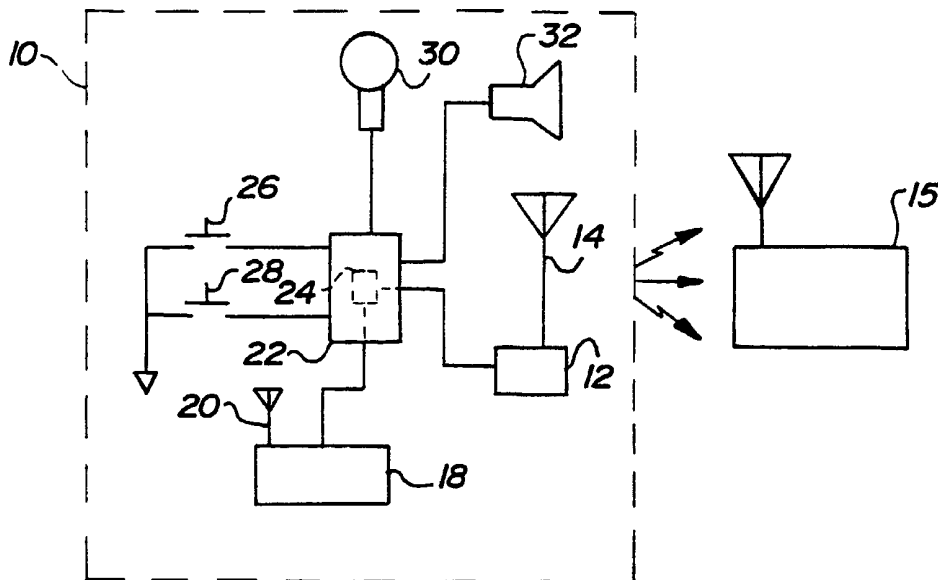
PCT

(10) International Publication Number
WO 99/66741 A3

- (51) International Patent Classification⁶: G08C 17/02, H04M 1/72, 11/00
- (21) International Application Number: PCT/US99/13602
- (22) International Filing Date: 16 June 1999 (16.06.1999)
- (25) Filing Language: English
- (26) Publication Language: English
- (30) Priority Data: 09/098,147 16 June 1998 (16.06.1998) US
- (71) Applicant: LEAR CORPORATION [US/US]; 21557 Telegraph Road, Southfield, MI 48034 (US).
- (72) Inventor: KING, Joseph, D.; 3634 Partridge Path #7, Ann Arbor, MI 48108 (US).
- (74) Agent: HALLER, Timothy, J.; Niro, Scavone, Haller & Niro, 181 W. Madison, Suite 4600, Chicago, IL 60602 (US).
- (81) Designated States (*national*): CA, JP.
- (84) Designated States (*regional*): European patent (AT, BE, CH, CY, DE, DK, ES, FI, FR, GB, GR, IE, IT, LU, MC, NL, PT, SE).
- Published:
— with international search report
- (88) Date of publication of the international search report: 13 December 2001

For two-letter codes and other abbreviations, refer to the "Guidance Notes on Codes and Abbreviations" appearing at the beginning of each regular issue of the PCT Gazette.

(54) Title: INTEGRATED CELLULAR TELEPHONE WITH PROGRAMMABLE TRANSMITTER



(57) Abstract: The inventive cellular telephone includes a telephone (10) for transmitting outgoing telephone call signals and receiving incoming telephone call signals and a transmitter (12) for producing a wireless control signal to operate a remote device (15). The remote device (15) may be a remote keyless entry system (15A), a garage door opener (15B), an estate gate opener (15C), a home security system (15D), a home lighting system (15E), or some other system. To reduce cost, a single transmitter (12) may produce both the control signal and the outgoing telephone call signals. In a preferred embodiment, the transmitter (12) may be programmed to reproduce one or more unique control signals to operate several remote devices.



WO 99/66741 A3

INTERNATIONAL SEARCH REPORT

International Application No
PCT/US 99/13602

A. CLASSIFICATION OF SUBJECT MATTER		
IPC 6	G08C17/02	H04M1/72 H04M11/00
According to International Patent Classification (IPC) or to both national classification and IPC		
B. FIELDS SEARCHED		
Minimum documentation searched (classification system followed by classification symbols)		
IPC 6	H04M	H04Q
Documentation searched other than minimum documentation to the extent that such documents are included in the fields searched		
Electronic data base consulted during the international search (name of data base and, where practical, search terms used)		
C. DOCUMENTS CONSIDERED TO BE RELEVANT		
Category *	Citation of document, with indication, where appropriate, of the relevant passages	Relevant to claim No.
X	US 5 201 067 A (PARMELEE STEVEN G ET AL) 6 April 1993 (1993-04-06) column 2, line 52 -column 3, line 47 column 4, line 17 -column 6, line 30 -----	1,4-6
A	EP 0 748 105 A (AT & T CORP) 11 December 1996 (1996-12-11) column 4, line 27 -column 4, line 49 column 9, line 4 -column 10, line 11 -----	2,3
A	WO 94 01963 A (ROZGONYI JOSEPH) 20 January 1994 (1994-01-20) page 8, line 1 -page 8, line 28 -----	3
<input type="checkbox"/> Further documents are listed in the continuation of box C. <input checked="" type="checkbox"/> Patent family members are listed in annex.		
* Special categories of cited documents : "A" document defining the general state of the art which is not considered to be of particular relevance "E" earlier document but published on or after the international filing date "L" document which may throw doubts on priority claim(s) or which is cited to establish the publication date of another citation or other special reason (as specified) "O" document referring to an oral disclosure, use, exhibition or other means "P" document published prior to the international filing date but later than the priority date claimed "T" later document published after the international filing date or priority date and not in conflict with the application but cited to understand the principle or theory underlying the invention "X" document of particular relevance: the claimed invention cannot be considered novel or cannot be considered to involve an inventive step when the document is taken alone "Y" document of particular relevance: the claimed invention cannot be considered to involve an inventive step when the document is combined with one or more other such documents, such combination being obvious to a person skilled in the art. "&" document member of the same patent family		
Date of the actual completion of the international search		Date of mailing of the international search report
18 October 1999		25/10/1999
Name and mailing address of the ISA European Patent Office, P.B. 5818 Patentlaan 2 NL - 2280 HV Rijswijk Tel. (+31-70) 340-2040, Tx. 31 051 epo nl, Fax: (+31-70) 340 3018		Authorized officer Pham, P

INTERNATIONAL SEARCH REPORT

Information on patent family members

International Application No

PCT/US 99/13602

Patent document cited in search report	Publication date	Patent family member(s)	Publication date
US 5201067 A	06-04-1993	EP 0541772 A KR 9505862 B WO 9220167 A	19-05-1993 31-05-1995 12-11-1992
EP 0748105 A	11-12-1996	JP 9027866 A	28-01-1997
WO 9401963 A	20-01-1994	AU 4661093 A	31-01-1994