



(12) **United States Design Patent**
Hirose et al.

(10) **Patent No.:** **US D1,035,776 S**
(45) **Date of Patent:** **** Jul. 16, 2024**

(54) **CARTRIDGE FOR GAME APPARATUS**

2300/00; A63F 2300/1031; A63F 13/95;
H01R 12/712; H01R 13/726; H01R
13/652

(71) Applicant: **NINTENDO CO., LTD.**, Kyoto (JP)

See application file for complete search history.

(72) Inventors: **Shinji Hirose**, Kyoto (JP); **Yuta Fujita**,
Kyoto (JP)

(56) **References Cited**

(73) Assignee: **Nintendo Co., Ltd.**, Kyoto (JP)

U.S. PATENT DOCUMENTS

(**) Term: **15 Years**

D286,053 S 10/1986 Mcdaniel
D304,720 S * 11/1989 Ashe D14/479
D316,089 S * 4/1991 Nakauma D14/435

(21) Appl. No.: **29/935,402**

(Continued)

(22) Filed: **Apr. 1, 2024**

FOREIGN PATENT DOCUMENTS

Related U.S. Application Data

DE 2444539 C2 12/1982
DE 3503575 A1 8/1986

(Continued)

(63) Continuation of application No. 18/443,746, filed on
Feb. 16, 2024, which is a continuation of application
No. 17/497,227, filed on Oct. 8, 2021, which is a
continuation of application No. 15/799,082, filed on
Oct. 31, 2017, now Pat. No. 11,171,433, which is a
continuation of application No. 15/398,903, filed on
Jan. 5, 2017, now Pat. No. 9,853,379.

OTHER PUBLICATIONS

Office Action dated Sep. 4, 2020 issued in Japanese Application No.
2016-205577 (4 pages).

(Continued)

(30) **Foreign Application Priority Data**

Primary Examiner — Mehri F Bajoul

(74) *Attorney, Agent, or Firm* — Nixon & Vanderhye PC

Oct. 19, 2016 (JP) 2016-205577

(57) **CLAIM**

(51) **LOC (14) Cl.** **21-01**

The ornamental design for a cartridge for game apparatus, as
shown and described.

(52) **U.S. Cl.**

USPC **D21/333**; D21/332; D14/435

DESCRIPTION

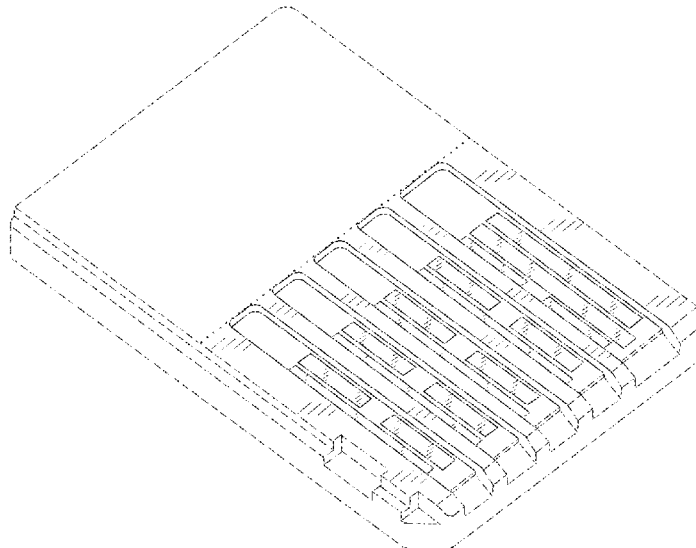
(58) **Field of Classification Search**

USPC D21/324, 331–337, 566, 572–574, 328;
D14/217, 218, 356, 387, 388, 389, 400,
D14/401, 415, 418, 426–431, 443, 447,
D14/449, 450, 454, 455, 471, 474, 483,
D14/496, 511; D13/164, 168
CPC .. A63F 9/02; A63F 9/24; A63F 9/0291; A63F
9/0252; A63F 13/00; A63F 13/23; A63F
13/24; A63F 13/26; A63F 13/98; A63F
13/02; A63F 13/12; A63F 9/00; A63F

FIG. 1 is a rear perspective view of a cartridge for game
apparatus according to our new design; and,
FIG. 2 is rear view thereof.

The broken lines in the drawings depict portions of the
cartridge for game apparatus that form no part of the claim.
The dotted lines represent the boundary between claimed
and unclaimed parts of the cartridge for game apparatus and
do not form a part of the claimed design.

1 Claim, 1 Drawing Sheet



(56)

References Cited

U.S. PATENT DOCUMENTS

5,188,534 A 2/1993 Bertho
 D356,787 S * 3/1995 Miyazaki D14/480
 D421,597 S 3/2000 Oba
 D421,967 S 3/2000 Oba
 6,109,939 A * 8/2000 Kondo G06K 19/07739
 439/140
 D437,323 S * 2/2001 Sugino D14/435
 6,267,678 B1 7/2001 Kubo
 D448,425 S * 9/2001 Hanazawa D14/496
 6,320,252 B1 11/2001 Potters
 D452,281 S 12/2001 Ohno
 6,333,854 B1 * 12/2001 Sasaoka H05K 5/026
 361/801
 6,381,143 B1 * 4/2002 Nakamura H05K 5/026
 361/728
 D457,887 S 5/2002 Kadonaga
 6,383,079 B1 5/2002 Takeda
 6,410,355 B1 6/2002 Wallace
 6,457,647 B1 10/2002 Kurihashi
 D478,358 S * 8/2003 Ashida D14/435
 D479,208 S 9/2003 Takahashi
 6,634,561 B1 * 10/2003 Wallace G06K 19/07732
 235/441
 6,641,413 B2 11/2003 Kuroda
 6,646,885 B1 * 11/2003 Yu H05K 1/117
 361/752
 D484,883 S 1/2004 Metivier
 D488,475 S 4/2004 Yu
 D488,477 S 4/2004 Yu
 D492,687 S 7/2004 Yu
 D493,466 S 7/2004 Yu
 6,768,645 B2 7/2004 Kadonaga
 D494,180 S 8/2004 Taniguchi
 D498,760 S 11/2004 Chiang
 6,821,156 B1 11/2004 Egan
 D517,559 S 3/2006 Yu
 D518,483 S 4/2006 Yu
 7,097,510 B1 8/2006 Chen
 D536,382 S * 2/2007 Sugino D21/332
 D537,824 S 3/2007 Day
 D539,355 S * 3/2007 Fujita D14/435
 D554,123 S 10/2007 Day
 7,392,343 B2 6/2008 Oshima
 D585,068 S 1/2009 Elliott
 D588,133 S 3/2009 Nakamura
 D588,134 S 3/2009 Nakamura
 D588,597 S 3/2009 Nakamura
 D594,418 S 6/2009 Fujino
 7,547,234 B2 6/2009 Wallace
 D602,095 S * 10/2009 Fujino D21/332
 7,623,354 B2 11/2009 Koh
 D611,103 S * 3/2010 Fujino D21/332
 7,789,674 B2 9/2010 Nelson
 7,872,873 B2 1/2011 Hiew
 D641,050 S * 7/2011 Matsui D21/332
 8,118,607 B2 2/2012 Zhao
 D670,292 S 11/2012 Komatani
 D691,101 S * 10/2013 Ishizawa D13/182
 D705,360 S * 5/2014 Mar D21/332
 D733,526 S * 7/2015 Delrue D8/349
 D735,203 S * 7/2015 Kim D14/435
 D737,860 S * 9/2015 Mar D21/328
 9,442,539 B2 9/2016 Stone
 9,853,379 B1 * 12/2017 Hirose H01R 13/26

D836,641 S * 12/2018 Zenri D14/436
 D855,577 S 8/2019 Hsu
 10,374,342 B2 * 8/2019 Koh H05K 1/11
 D866,561 S * 11/2019 Zenri D14/436
 D902,940 S * 11/2020 Hirano D14/356
 11,171,433 B2 * 11/2021 Hirose A63F 13/95
 D965,063 S * 9/2022 Yang D21/331
 D974,520 S * 1/2023 Abboud D22/117
 D976,709 S * 1/2023 McGrath D9/566
 D983,738 S * 4/2023 Tang D21/333
 D986,898 S * 5/2023 Cinar D14/435
 D986,901 S * 5/2023 Cinar D14/435
 D997,161 S * 8/2023 Cinar D14/435
 D1,010,009 S * 1/2024 Ou D21/333
 D1,011,428 S * 1/2024 Ou D21/333
 D1,015,568 S * 2/2024 de Groot D24/225
 D1,019,665 S * 3/2024 Nokuo D21/333
 11,922,991 B2 * 3/2024 Fujimoto G06F 3/0653
 2003/0040353 A1 * 2/2003 Takamoto A63F 13/95
 463/16
 2004/0090829 A1 5/2004 Miura
 2004/0174683 A1 9/2004 Mcgowan
 2005/0247786 A1 11/2005 Chen
 2005/0272290 A1 12/2005 Yoneyama
 2006/0000914 A1 1/2006 Chen
 2006/0009079 A1 1/2006 Chen
 2006/0063433 A1 3/2006 Aoki
 2006/0100021 A1 5/2006 Yoshino
 2006/0172572 A1 8/2006 Matsukawa
 2006/0172603 A1 8/2006 Matsumoto
 2006/0240713 A1 10/2006 Kikuchi
 2007/0001279 A1 1/2007 Nishizawa et al.
 2008/0123305 A1 * 5/2008 Amidi H05K 1/181
 361/737
 2008/0132091 A1 * 6/2008 Choi G06K 19/07
 439/55
 2009/0014522 A1 1/2009 Harris
 2009/0017687 A1 1/2009 Harris
 2009/0028321 A1 12/2009 Sakiyama
 2014/0221096 A1 8/2014 Yamane
 2014/0302920 A1 * 10/2014 Beckett A63F 13/95
 463/31
 2014/0378224 A1 12/2014 Beckett
 2018/0109018 A1 4/2018 Hirose et al.
 2022/0029324 A1 1/2022 Hirose et al.

FOREIGN PATENT DOCUMENTS

DE 29510948 U1 9/1995
 JP 2005-293444 10/2005
 JP 2006-011725 1/2006
 JP 2006-92775 A 4/2006
 JP 2007-72922 A 3/2007
 JP 2014-150938 8/2014
 WO 2008/0075594 A1 6/2008
 WO 2016/026692 A1 2/2016

OTHER PUBLICATIONS

Sep. 8, 2017 Search Report issued in corresponding European Application No. 17 150 029.1.
 Sep. 25, 2017 Office Action issued in corresponding European Application No. 17 150 029.1.
 Shinji Hirose et al., U.S. Appl. No. 18/443,746, filed Feb. 16, 2024.

* cited by examiner

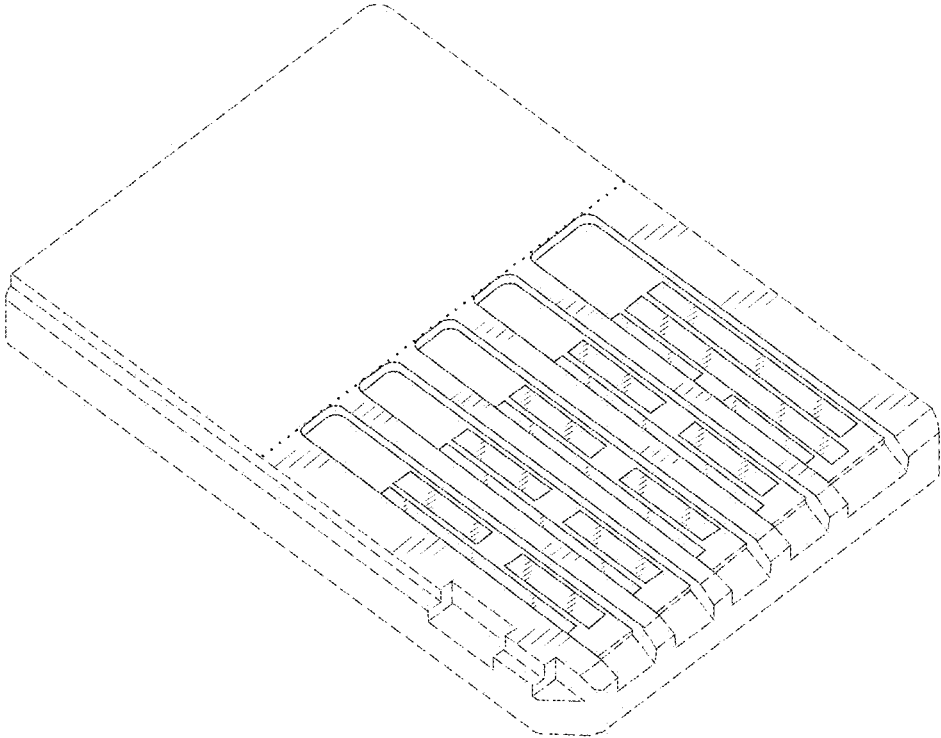


FIG. 1

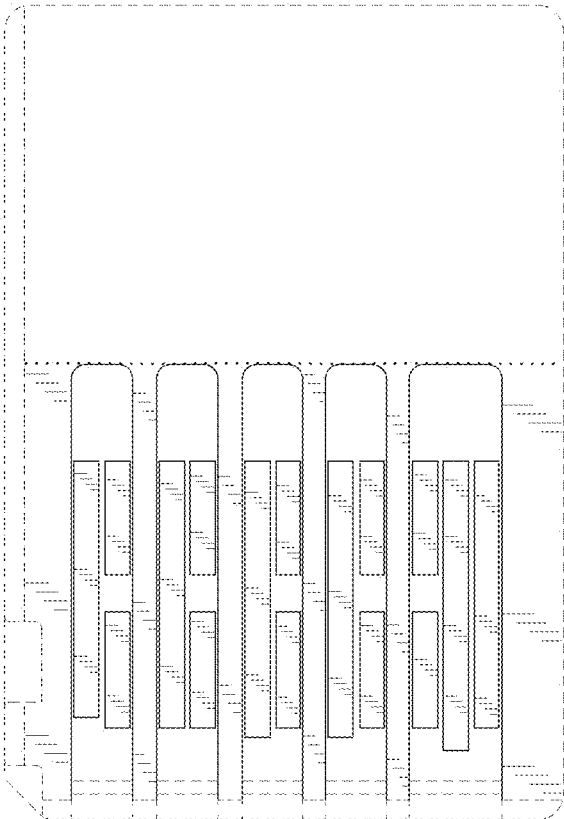


FIG. 2