



US0D1069497S

(12) **United States Design Patent**
Nathan et al.

(10) **Patent No.:** **US D1,069,497 S**
(45) **Date of Patent:** **** Apr. 8, 2025**

(54) **GRIDDLE**

(71) Applicant: **Caraway Home, Inc.**, New York, NY (US)
(72) Inventors: **Jordan Nathan**, New York, NY (US);
Bret Recor, San Francisco, CA (US);
Christoph Andrejic, San Francisco, CA (US); **Rebecca Kay**, San Francisco, CA (US); **Benjamin Gross**, San Francisco, CA (US); **Julianna Probst**, San Francisco, CA (US)
(73) Assignee: **Caraway Home, Inc.**, New York, NY (US)

(**) Term: **15 Years**

(21) Appl. No.: **29/903,293**

(22) Filed: **Sep. 21, 2023**

(51) **LOC (15) Cl.** **07-02**

(52) **U.S. Cl.**
USPC **D7/354**; D7/362

(58) **Field of Classification Search**
USPC D7/323, 354–356, 358, 360, 362, 363, D7/391, 407–409

CPC A47J 2027/008; A47J 2027/043; A47J 2037/0777; A47J 27/00; A47J 27/002; A47J 27/004; A47J 27/022; A47J 27/02; A47J 27/05; A47J 27/08; A47J 27/0802; A47J 27/0804; A47J 27/16; A47J 27/17; A47J 27/21; A47J 27/58; A47J 36/025; A47J 36/027; A47J 36/06; A47J 36/12; A47J 36/24; A47J 37/00; A47J 37/027; A47J 37/0676; A47J 37/0682; A47J 37/0786; A47J 37/10; A47J 37/12; A47J 37/101; A47J 37/103; A47J 37/105; A47J 37/1204; B65D 1/22; B65D 81/343; B65D 85/36; H05B 6/12

See application file for complete search history.

(56) **References Cited**

U.S. PATENT DOCUMENTS

D156,977 S * 1/1950 Ollyn D7/363
3,384,195 A * 5/1968 Jepson H01R 13/7137
D7/354

(Continued)

FOREIGN PATENT DOCUMENTS

CN 304244124 S 8/2017
CN 308572957 S 4/2024

OTHER PUBLICATIONS

Griddle, Caphalon. Date First Available, Jul. 8, 2024 [online], [site visited on Oct. 29, 2024]. Available from URL: < <https://www.amazon.com/dp/B0D7ZCL5RJ/> > (Year: 2024).*

(Continued)

Primary Examiner — Janice Patyk
Assistant Examiner — Kendra L Hebel
(74) *Attorney, Agent, or Firm* — Bochner PLLC; Andrew D Bochner; Eric R Kleinertz

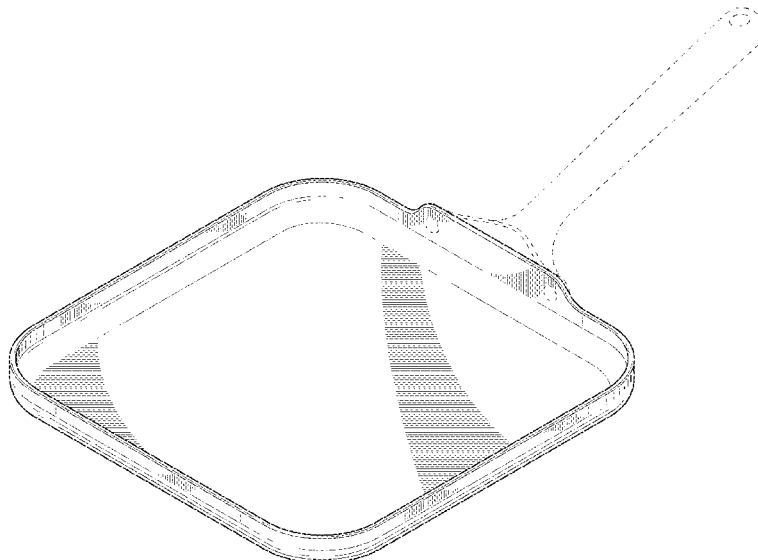
(57) **CLAIM**

The ornamental design for a griddle, as shown and described.

DESCRIPTION

FIG. 1 is a top, front, right-side, perspective view of a griddle, showing my new design;
FIG. 2 is a front elevation view thereof;
FIG. 3 is a rear elevation view thereof;
FIG. 4 is a left-side elevation view thereof;
FIG. 5 is a right-side elevation view thereof;
FIG. 6 is a top plan view thereof;
FIG. 7 is a bottom plan view thereof; and,
FIG. 8 is a cross-section view taken along line 8-8 of FIG. 6.
The broken lines in the drawings show portions of the griddle, and form no part of the claimed design.

1 Claim, 6 Drawing Sheets



(56)

References Cited

U.S. PATENT DOCUMENTS

D637,450	S	*	5/2011	Cheng	D7/354
D637,451	S	*	5/2011	Cheng	D7/354
D717,597	S	*	11/2014	Henry	D7/363
D769,055	S	*	10/2016	Lee	D7/409
D820,629	S	*	6/2018	Lum	D7/354
D920,030	S	*	5/2021	Stojanovski	D7/359
D987,361	S	*	5/2023	Mishan	D7/354
D997,628	S	*	9/2023	Zemel	D7/354
D1,005,781	S	*	11/2023	Subramani	D7/402
D1,021,513	S	*	4/2024	Nathan	D7/354

OTHER PUBLICATIONS

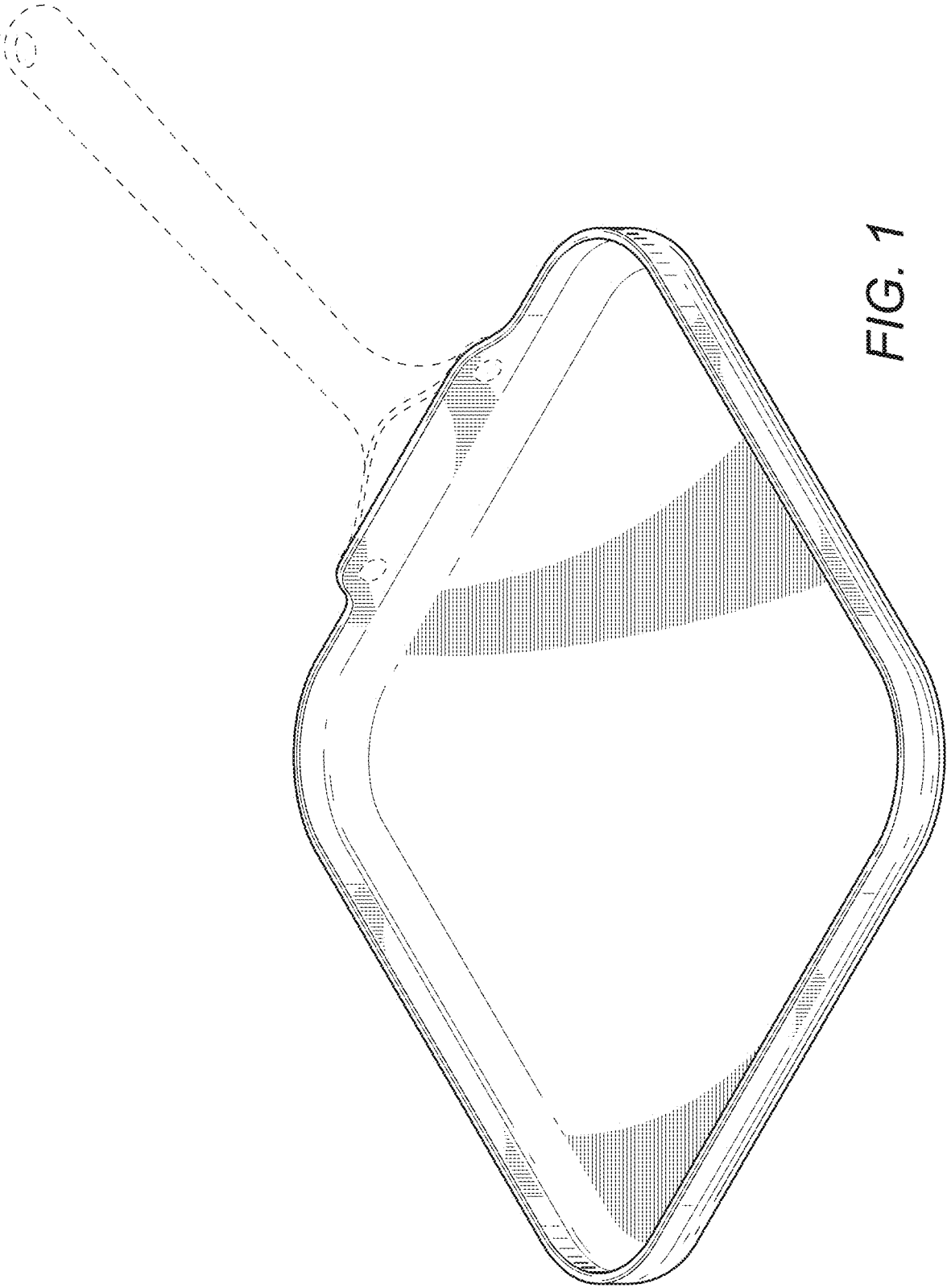
Griddle Pan, Caraway. Date First Available, Nov. 27, 2023 [online], [site visited on Oct. 30, 2024]. Available from URL: <<https://www.amazon.com/dp/B0CM6Y37DJ/>> (Year: 2023).*

Griddle Pan, Cook Standard. Date First Available, Jul. 26, 2017 [online], [site visited on Oct. 30, 2024]. Available from URL: <<https://www.amazon.com/Cooks-Standard-Anodized-Nonstick-Griddle/dp/B0748Z6CXB/>> (Year: 2017).*

Griddle Pan, OXO. Date First Available, Nov. 4, 2014 [online], [site visited on Oct. 30, 2024]. Available from URL: <<https://www.amazon.com/dp/B00PCI75SA/>> (Year: 2014).*

First Office Action of the China National Intellectual Property Administration (CNIPA) in related Chinese Appl. No. 202430144368. X, dated Nov. 8, 2024, 4 pages.

* cited by examiner



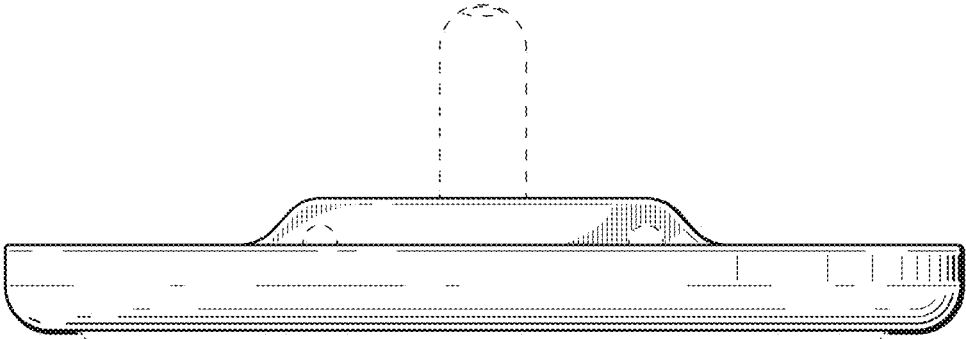


FIG. 2

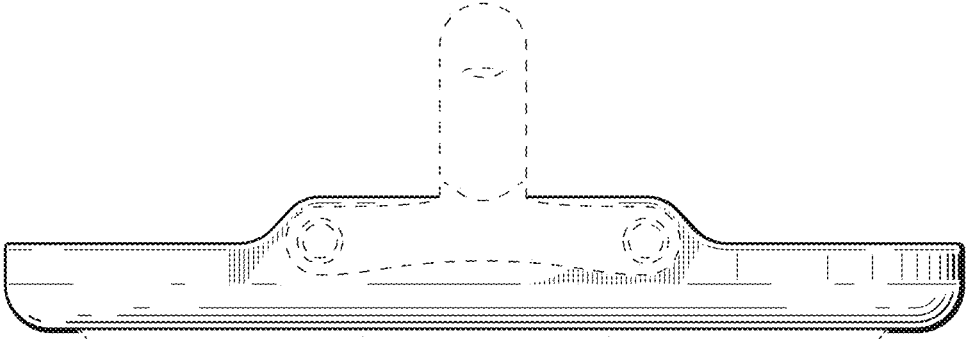


FIG. 3

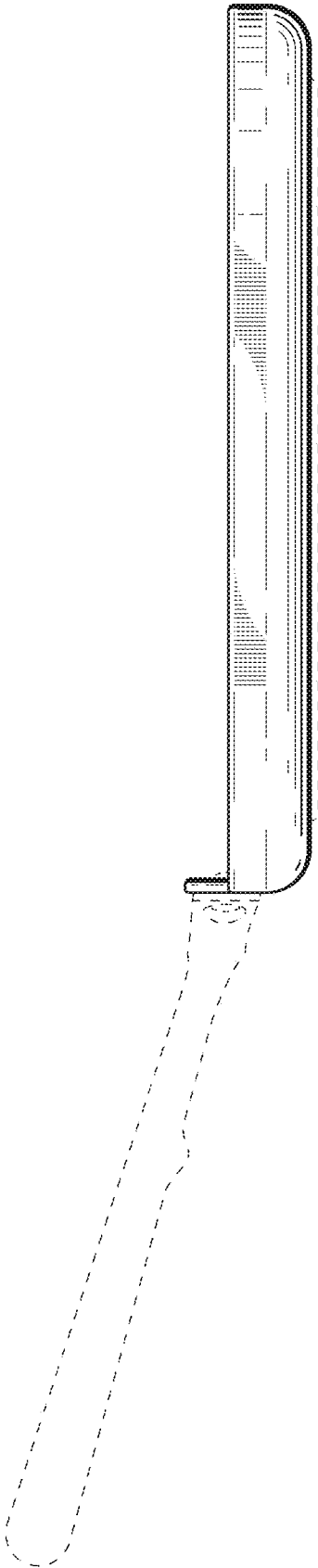


FIG. 4

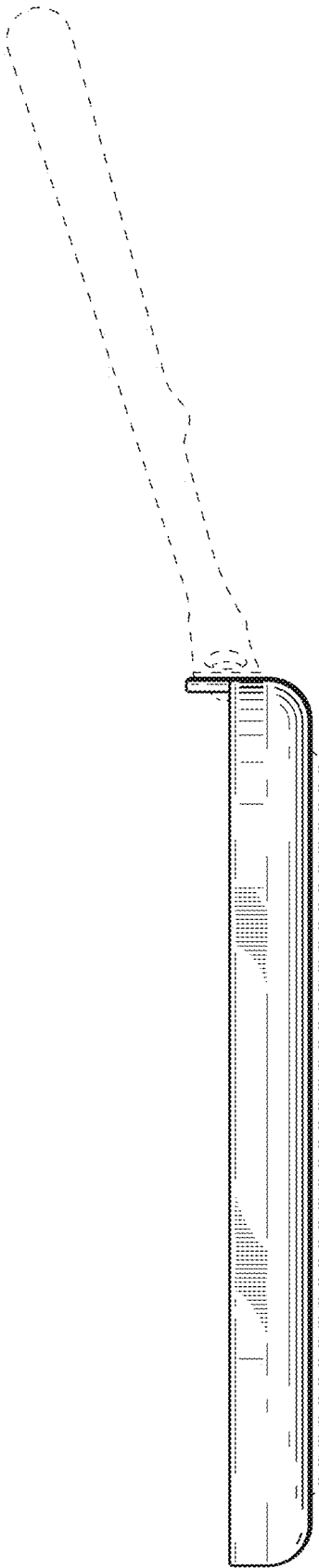


FIG. 5

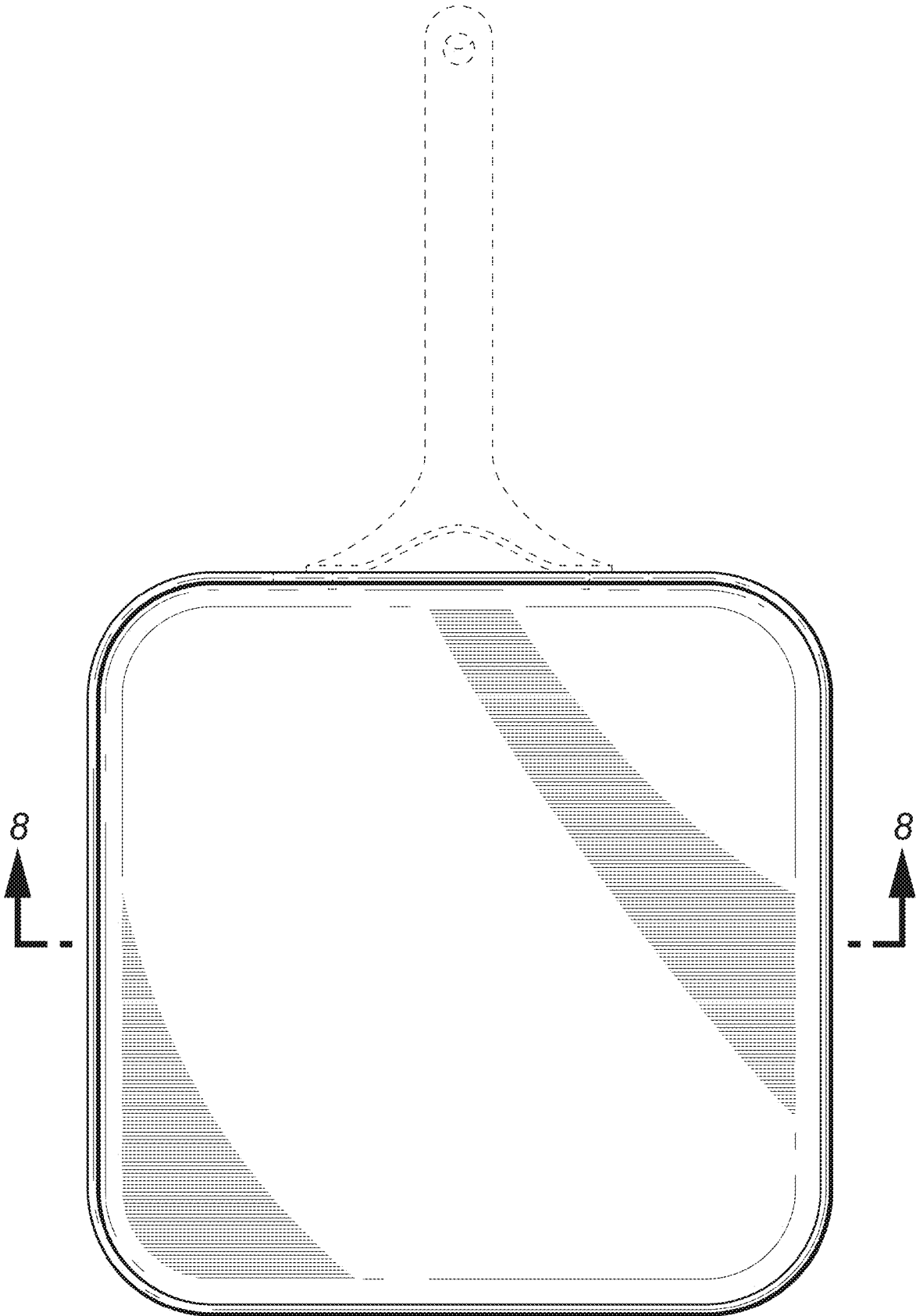


FIG. 6

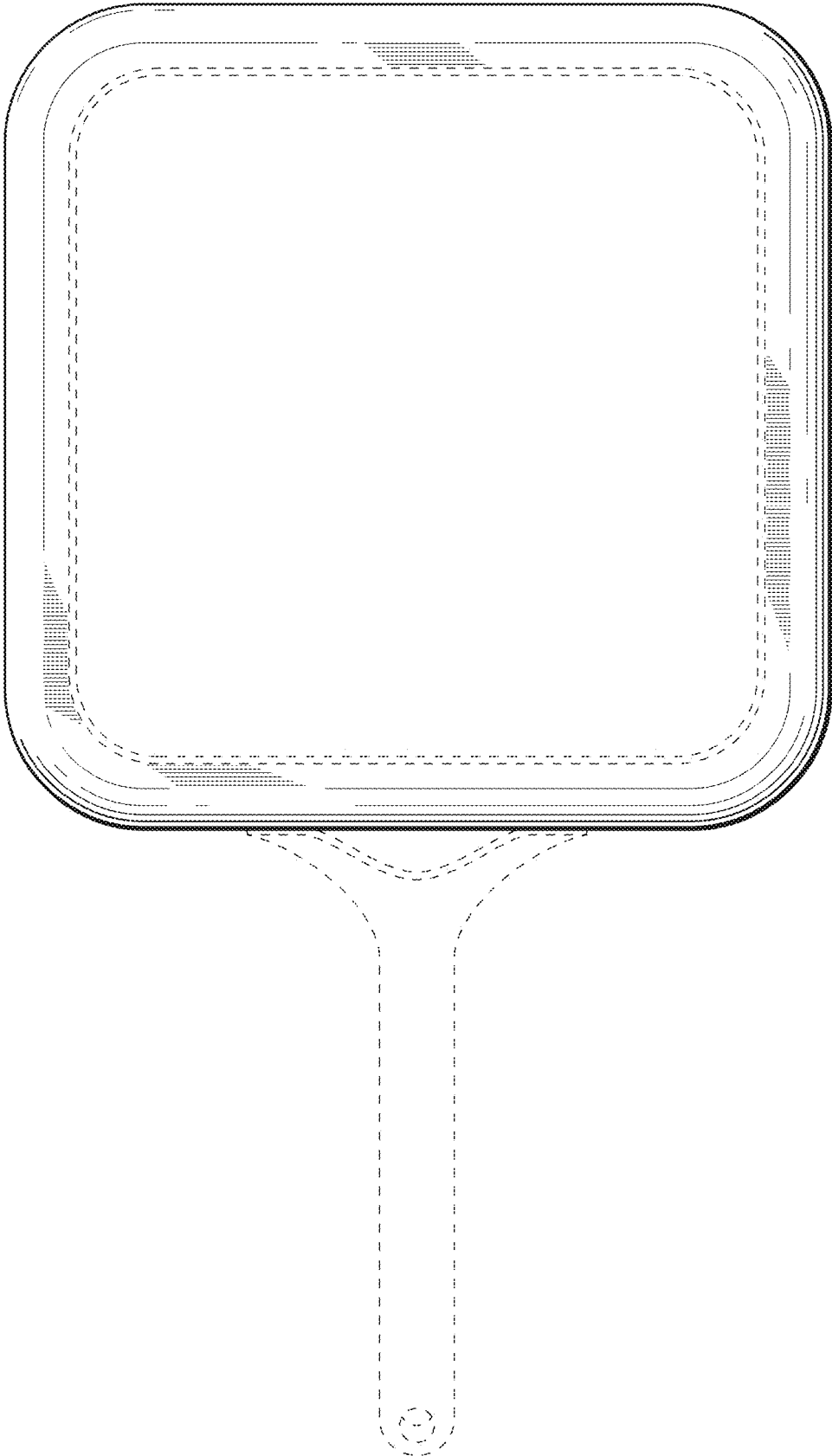


FIG. 7

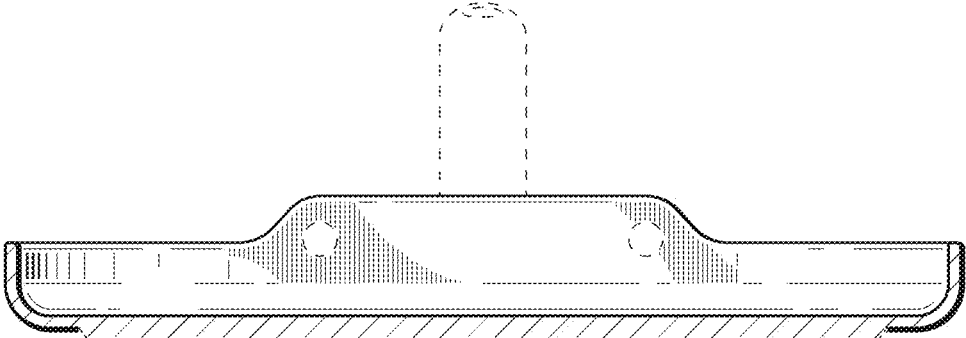


FIG. 8