



US00D923193S

(12) **United States Design Patent**
Zhou

(10) **Patent No.:** **US D923,193 S**

(45) **Date of Patent:** **** Jun. 22, 2021**

(54) **SEX TOY**

19/022; A61D 19/021; A61D 19/00;
A61D 19/024; A61D 19/025; A61D

(71) Applicant: **GUANGZHOU ZHONGSHU
E-COMMERCE CO., LTD.,**
Guangzhou (CN)

19/028; A61D 19/04; A61B 2017/00761;
A61B 17/43; A61B 17/425; A63D 9/00

See application file for complete search history.

(72) Inventor: **Dan Zhou**, Shenzhen (CN)

(56) **References Cited**

(73) Assignee: **GUANGZHOU ZHONGSHU
E-COMMERCE CO., LTD.,**
Guangzhou (CN)

U.S. PATENT DOCUMENTS

(**) Term: **15 Years**

| | | | |
|---------------|---------|----------------|----------------------|
| 649,745 A * | 5/1900 | Niemeyer | A63D 9/00 473/122 |
| 940,341 A * | 11/1909 | Merklen | A63D 9/00 473/123 |
| 1,053,957 A * | 2/1913 | Siedel | A63D 9/00 473/121 |
| 3,237,945 A * | 3/1966 | Isenberg | A63D 9/00 473/123 |
| 3,246,896 A * | 4/1966 | Nichols | A63D 9/00 473/123 |

(21) Appl. No.: **29/757,306**

(22) Filed: **Nov. 5, 2020**

(51) **LOC (13) Cl.** **28-03**

(52) **U.S. Cl.**
USPC **D24/215; D24/214**

(58) **Field of Classification Search**
USPC D24/105, 200, 214–216, 222, 224, 231;
600/35, 33, 38, 39, 40, 41, 581, 582, 573,
600/576, 577, 578, 580; 604/349, 350,
604/268, 271, 275–279, 523–525, 528,
604/515, 514, 519, 520, 261–266;
206/363, 364, 365, 438, 439; D30/199;
128/844, 918, 919, 842; 222/107, 494,
222/185.1, 466, 92; D7/669, 700;
D21/785, 786, 753; 601/15, 18, 19,
601/27–32, 46–52, 99, 112, 113, 118,
601/122, 125, 129, 134–137,
601/DIG. 12–DIG. 17
CPC A61H 19/44; A61H 19/34; A61H 19/40;
A61H 19/50; A61H 19/30; A61H
2201/0153; A61H 2205/087; A61H 7/007;
A61H 7/001–003; A45D 26/00; A61F
6/04; A61F 6/12; A61F 6/18; A61F
2006/043; A61F 2006/045; A61F
2006/046; A61F 2006/047; A61F
2006/048; Y10S 128/918; Y10S 128/919;
A61D 19/02; A61D 19/027; A61D

(Continued)

Primary Examiner — Susan Moon Lee

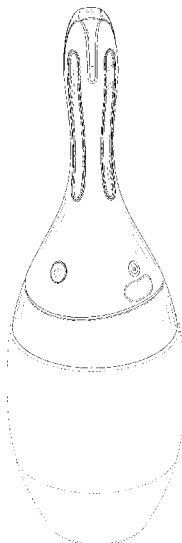
(57) **CLAIM**

The ornamental design for a sex toy, as shown and described.

DESCRIPTION

FIG. 1 is a perspective view of a sex toy showing my new design;
FIG. 2 is another perspective view thereof;
FIG. 3 is a front elevational view thereof;
FIG. 4 is a rear elevational view thereof;
FIG. 5 is a left side elevational view thereof;
FIG. 6 is a right side elevational view thereof;
FIG. 7 is a top plan view thereof;
FIG. 8 is a bottom plan view thereof; and,
FIG. 9 is an exploded perspective view of the sex toy.
The broken lines in the drawings depict portions of the sex toy that form no part of the claimed design.

1 Claim, 9 Drawing Sheets



(56)

References Cited

U.S. PATENT DOCUMENTS

| | | | | | | | | | | | |
|-----------|-----|---------|-----------------|-------|-----------|--------------|------|---------|----------------|-------|--------------|
| 3,248,114 | A * | 4/1966 | Ponemon | | A63D 9/00 | 5,080,842 | A * | 1/1992 | Jager | | A63D 9/00 |
| | | | | | 473/120 | | | | | | 264/235 |
| 3,248,115 | A * | 4/1966 | Conklin | | A63D 9/00 | 5,354,239 | A * | 10/1994 | Mueller | | A63D 9/00 |
| | | | | | 473/123 | | | | | | 264/274 |
| 3,257,113 | A * | 6/1966 | Medney | | A63D 9/00 | 5,569,093 | A * | 10/1996 | Jager | | A63D 9/00 |
| | | | | | 473/120 | | | | | | 473/118 |
| 3,300,214 | A * | 1/1967 | Nichols | | A63D 9/00 | 5,595,542 | A * | 1/1997 | Jager | | A63D 9/00 |
| | | | | | 473/120 | | | | | | 473/118 |
| 3,301,560 | A * | 1/1967 | Satchell et al. | | A63D 9/00 | 5,651,740 | A * | 7/1997 | Munoz | | A63B 59/50 |
| | | | | | 473/121 | | | | | | 473/118 |
| 3,353,258 | A * | 11/1967 | Bolton | | A63D 9/00 | 5,655,970 | A * | 8/1997 | Jager | | A63D 9/00 |
| | | | | | 228/182 | | | | | | 473/118 |
| 3,402,932 | A * | 9/1968 | Conklin | | A63D 9/00 | 5,888,144 | A * | 3/1999 | Jager | | B29C 66/1162 |
| | | | | | 473/120 | | | | | | 473/118 |
| 3,404,885 | A * | 10/1968 | Smith | | A63D 9/00 | D419,378 | S * | 1/2000 | Madden | | D7/510 |
| | | | | | 473/123 | D419,630 | S * | 1/2000 | Albarelli, Jr. | | D21/786 |
| 3,445,113 | A * | 5/1969 | Satchell | | A63D 9/00 | 6,478,686 | B1 * | 11/2002 | Chen | | A63D 9/00 |
| | | | | | 473/121 | | | | | | 473/119 |
| 3,482,836 | A * | 12/1969 | Smith | | A63D 9/00 | 6,666,775 | B2 * | 12/2003 | Jager | | A63D 9/00 |
| | | | | | 473/123 | | | | | | 473/119 |
| 3,520,969 | A * | 7/1970 | Smith | | A63D 9/00 | 7,014,565 | B2 * | 3/2006 | Chang | | A63D 9/00 |
| | | | | | 264/262 | | | | | | 362/253 |
| 3,521,884 | A * | 7/1970 | Mezoff | | A63D 9/00 | 7,052,406 | B2 * | 5/2006 | Suzuki | | A63D 9/00 |
| | | | | | 473/121 | | | | | | 264/275 |
| 3,572,710 | A * | 3/1971 | Negrini | | A63D 9/00 | D607,116 | S * | 12/2009 | Morganstern | | D24/211 |
| | | | | | 473/119 | D637,728 | S * | 5/2011 | Sevier | | D24/211 |
| 3,580,577 | A * | 5/1971 | Hyde | | A63D 9/00 | D693,476 | S * | 11/2013 | Spietz | | D24/215 |
| | | | | | 473/118 | D713,538 | S * | 9/2014 | Van Valen | | D24/209 |
| 3,598,410 | A * | 8/1971 | Costopoulos | | A63D 9/00 | D755,314 | S * | 5/2016 | Williams | | D21/725 |
| | | | | | 473/120 | D792,980 | S * | 7/2017 | Olivares | | D24/215 |
| 3,704,016 | A * | 11/1972 | Berry | | A63D 9/00 | D837,995 | S | 1/2019 | Josselyn | | |
| | | | | | 473/123 | D844,803 | S * | 4/2019 | Liu | | D24/215 |
| D247,920 | S * | 5/1978 | Dykehouse | | 473/118 | D857,196 | S * | 8/2019 | Powell | | D24/133 |
| 4,104,352 | A * | 8/1978 | Morgan | | A63D 9/00 | D857,222 | S * | 8/2019 | Liu | | D24/215 |
| | | | | | 264/248 | D865,983 | S * | 11/2019 | Huang | | D24/211 |
| 4,165,875 | A * | 8/1979 | Dykehouse | | A63D 9/00 | D879,992 | S | 3/2020 | Li | | |
| | | | | | 473/123 | D888,266 | S * | 6/2020 | Zhou | | D24/215 |
| 4,210,992 | A * | 7/1980 | Murray | | A63D 9/00 | D898,937 | S * | 10/2020 | Haddock | | D24/215 |
| | | | | | 156/245 | D906,534 | S * | 12/2020 | Li | | D24/215 |
| 4,630,820 | A * | 12/1986 | Bertozzi | | A63D 9/00 | D906,535 | S * | 12/2020 | Li | | D24/215 |
| | | | | | 264/275 | D907,231 | S * | 1/2021 | Zhou | | D24/215 |
| 4,971,322 | A * | 11/1990 | Jager | | A63D 9/00 | D908,904 | S * | 1/2021 | Liu | | D24/215 |
| | | | | | 473/120 | D908,909 | S * | 1/2021 | Huang | | D24/215 |
| | | | | | | 2002/0115493 | A1 * | 8/2002 | Jager | | A63D 9/00 |
| | | | | | | | | | | | 473/118 |
| | | | | | | 2020/0078590 | A1 * | 3/2020 | Bachinski | | A61N 1/0456 |

* cited by examiner

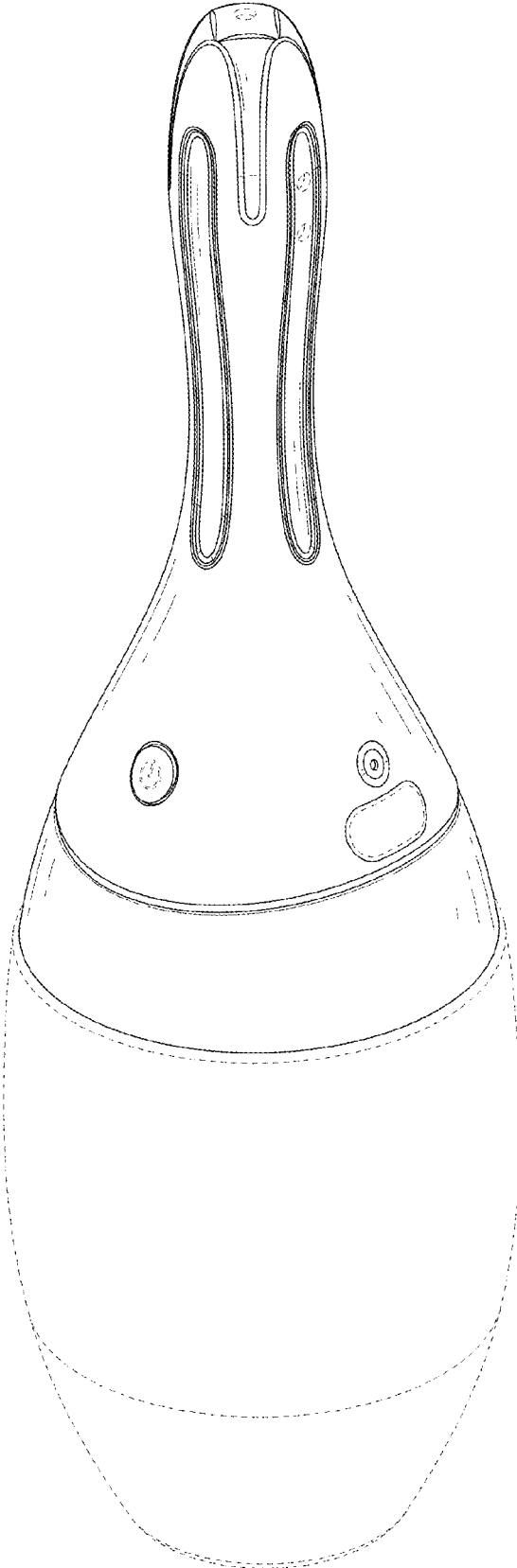


FIG. 1

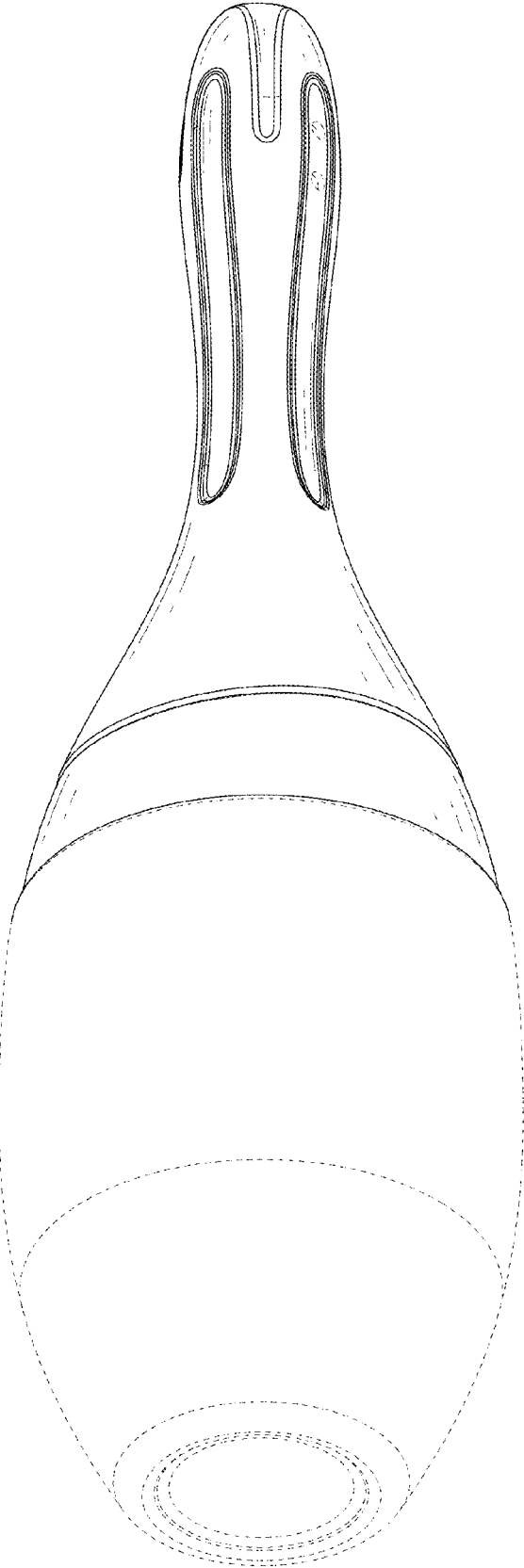


FIG. 2

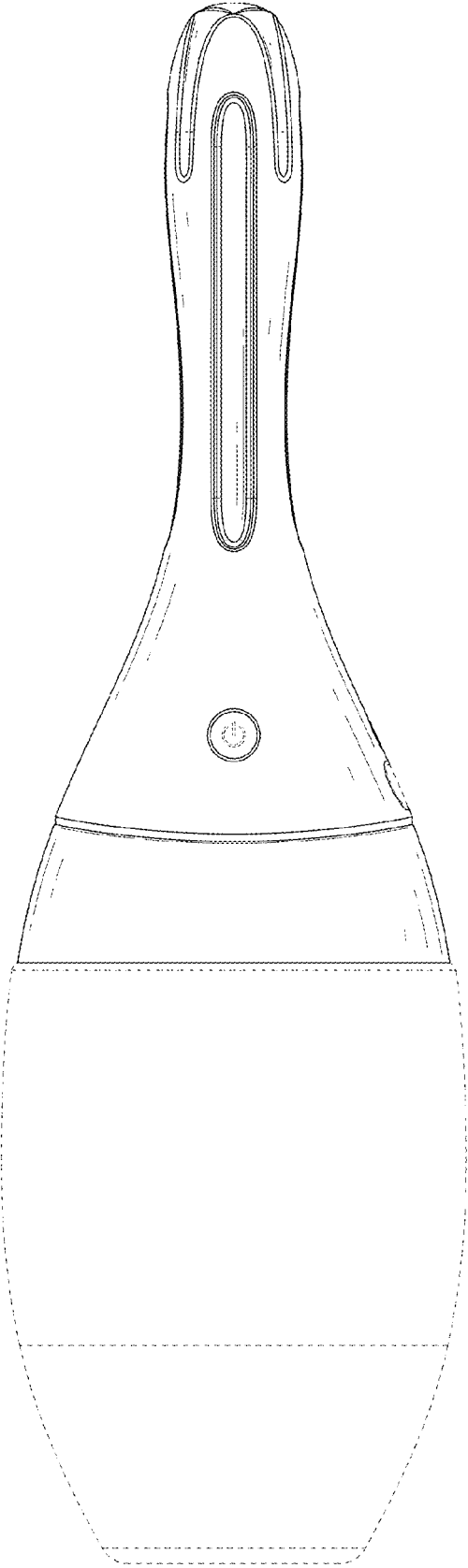


FIG. 3

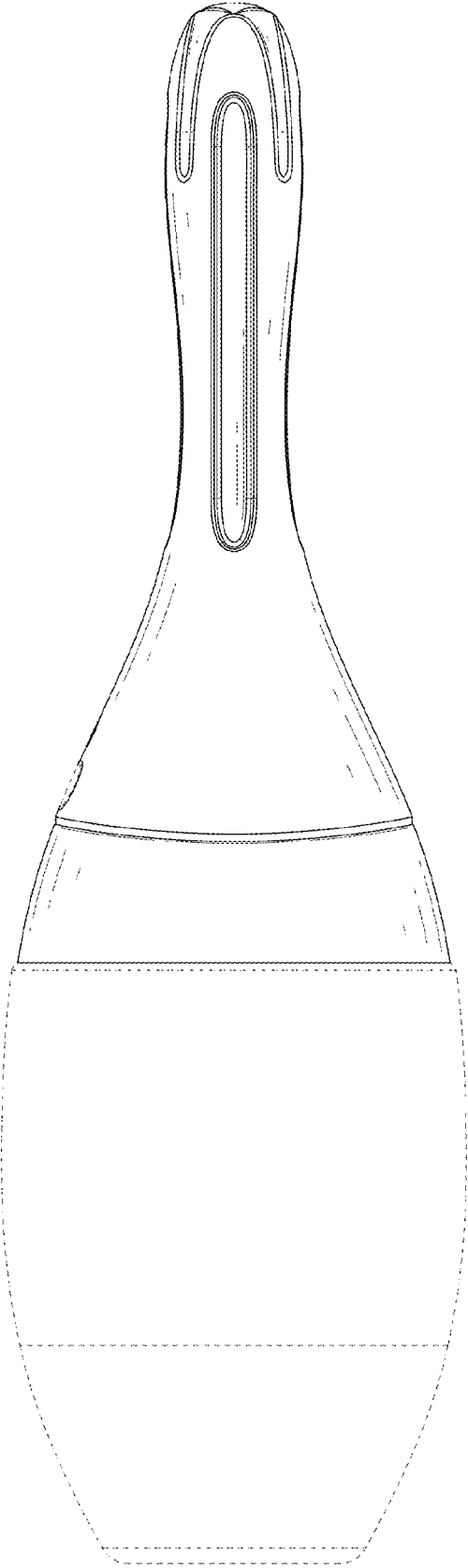


FIG. 4

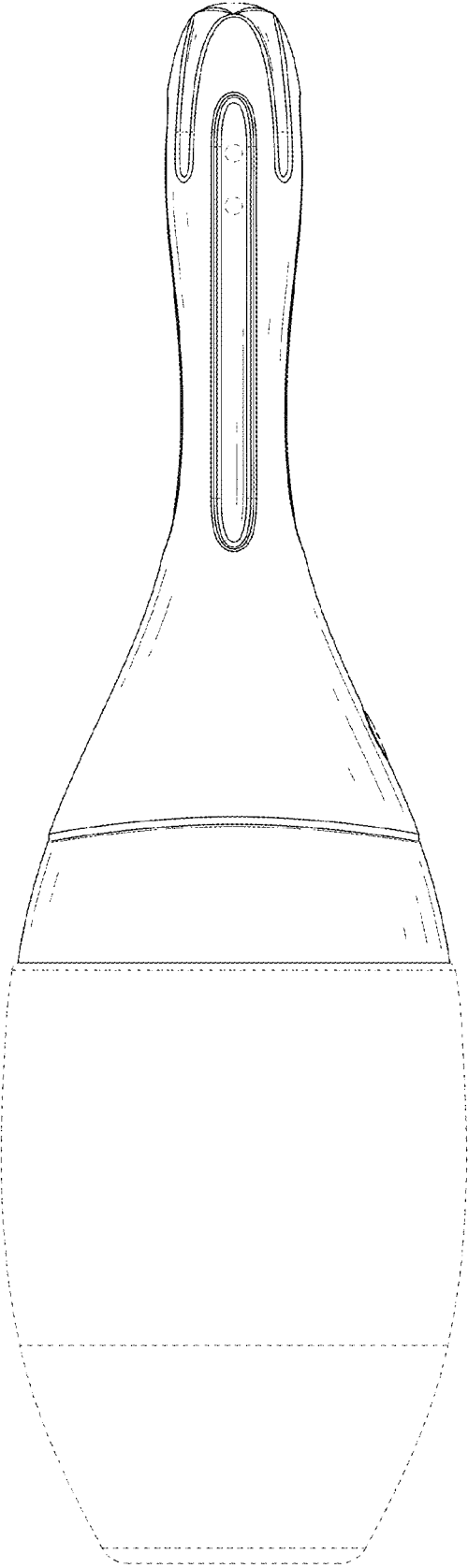


FIG. 5

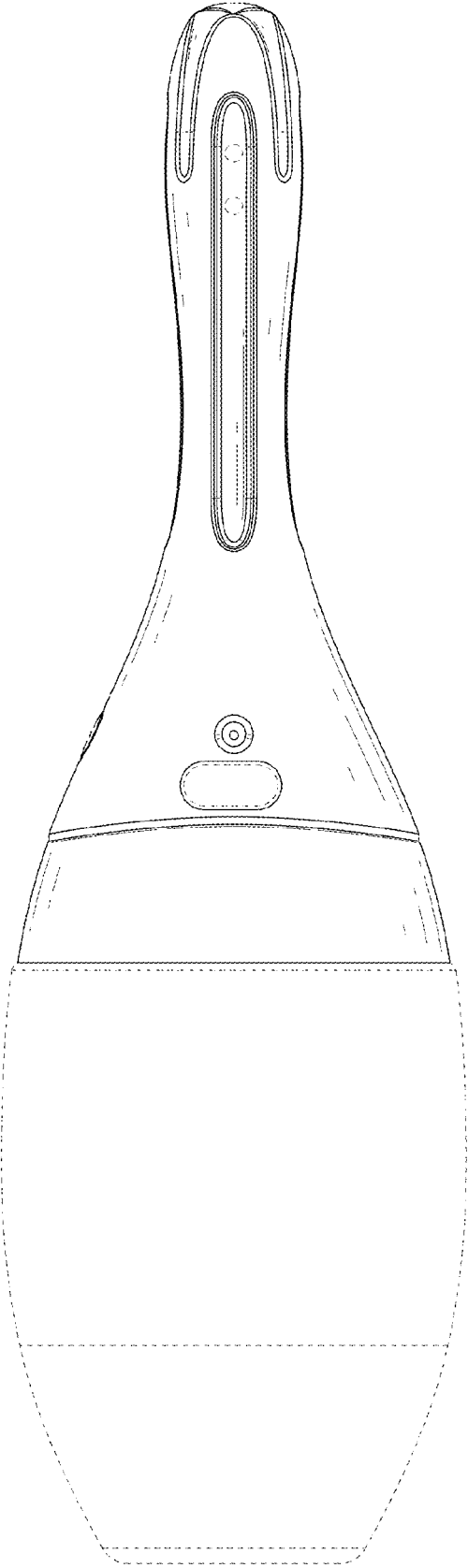


FIG. 6

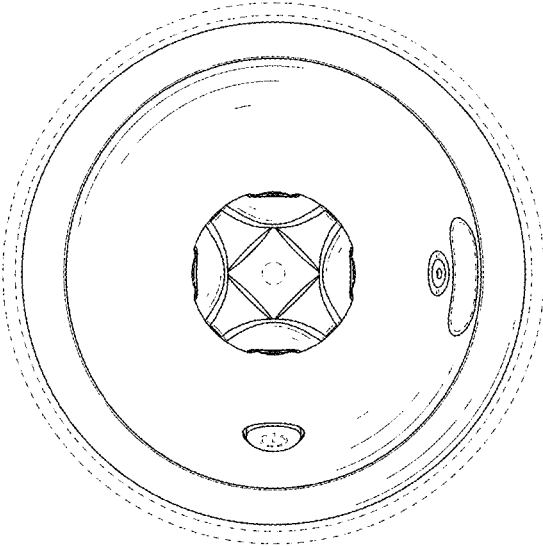


FIG. 7

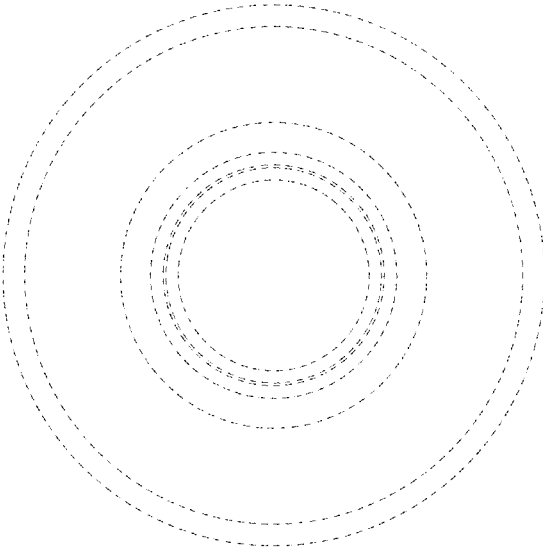


FIG. 8

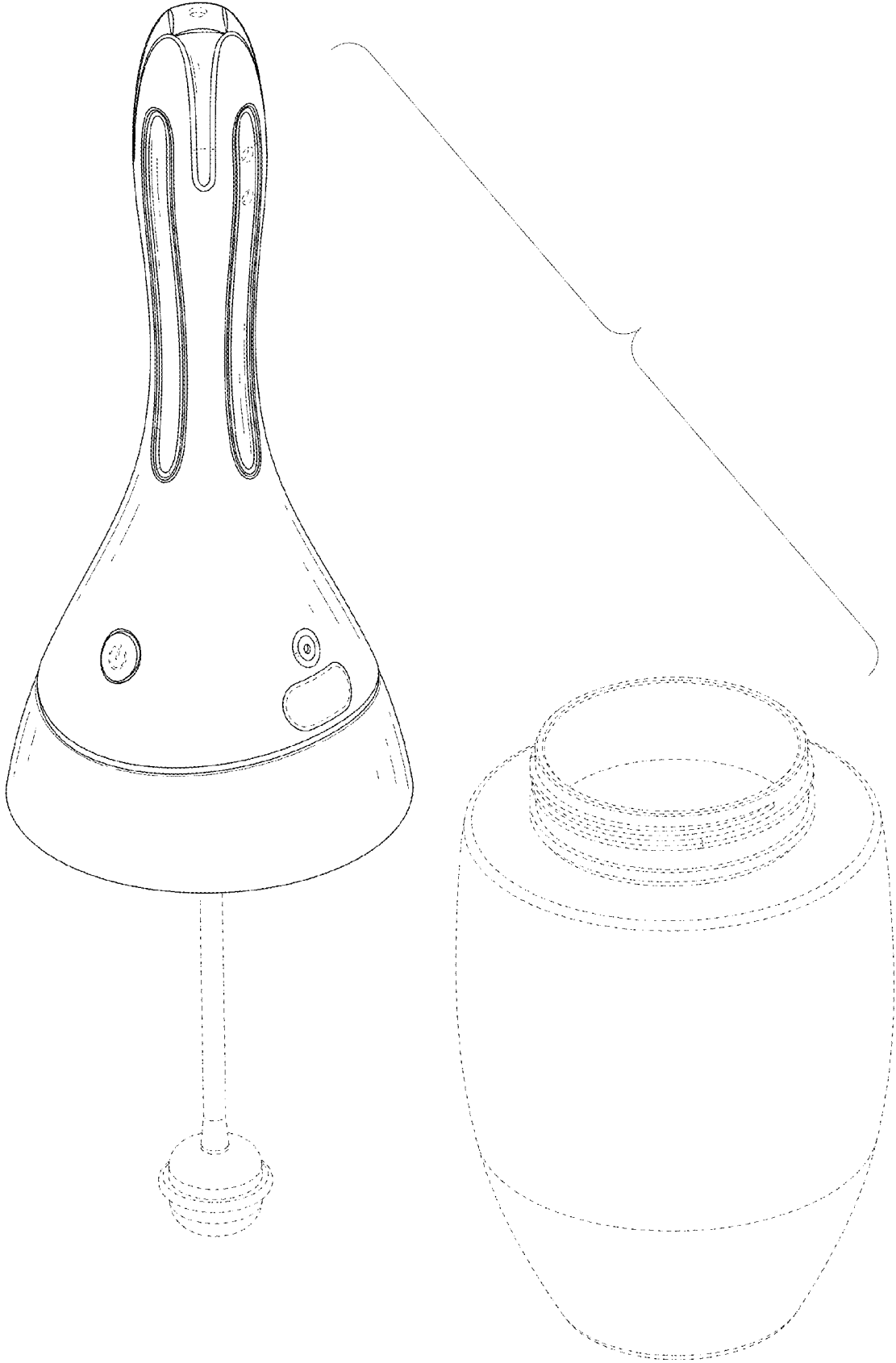


FIG. 9