



US00D993473S

(12) **United States Design Patent**
Li

(10) **Patent No.:** **US D993,473 S**

(45) **Date of Patent:** **** Jul. 25, 2023**

(54) **CAR TAIL LIGHT**

OTHER PUBLICATIONS

(71) Applicant: **SHENZHEN SANGSHEN E-COMMERCE CO., LTD.**, Shenzhen (CN)

“Mopar 2018-2020 Jeep Wrangler JL Rear Right LED”, available in Amazon.com, first available online Jul. 24, 2020, site visited Mar. 1, 2023, Internet URL: https://www.amazon.com/dp/B08DL89MC8?ref_cm_sw_r_cp_ud_dp_JJWV4H506BECFA7KFT6X (Year: 2020).*

(72) Inventor: **Chenghao Li**, Shenzhen (CN)

(Continued)

(73) Assignee: **SHENZHEN SANGSHEN E-COMMERCE CO., LTD.**, Shenzhen (CN)

Primary Examiner — Angela J Lee
Assistant Examiner — Anthony Vincent Rotolo

(**) Term: **15 Years**

(57) **CLAIM**

(21) Appl. No.: **29/806,271**

The ornamental design for a car tail light, as shown and described.

(22) Filed: **Sep. 2, 2021**

DESCRIPTION

(51) **LOC (14) Cl.** **26-06**

(52) **U.S. Cl.**

USPC **D26/28**

(58) **Field of Classification Search**

USPC D26/28, 29, 30, 31, 32, 33, 34, 35, 36, D26/139

CPC . B60Q 1/30; F21W 2102/17; F21W 2102/30; F21W 2103/00; F21W 2103/35; F21W 2103/40; F21W 2103/55; F21W 2104/00; F21W 2107/13; F21W 2107/17; F21S 41/00; F21S 41/141; F21S 41/162; F21S 41/18; F21S 41/20; F21S 41/33; F21S 41/36; F21S 41/60; F21S 43/00; F21S

(Continued)

FIG. 1 is a perspective view of a car tail light showing my new design;
FIG. 2 is another perspective view thereof;
FIG. 3 is a front elevational view thereof;
FIG. 4 is a rear elevational view thereof;
FIG. 5 is a left side elevational view thereof;
FIG. 6 is a right side elevational view thereof;
FIG. 7 is a top plan view thereof;
FIG. 8 is a bottom plan view thereof;
FIG. 9 is another front elevational view in an alternate state of use thereof;
FIG. 10 is another front elevational view in an alternate state of use thereof;
FIG. 11 is another front elevational view in an alternate state of use thereof; and,
FIG. 12 is another front elevational view in an alternate state of use thereof.

The dash-dash broken lines in the drawings depict portions of the car tail light that form no part of the claimed design. The dash-dot broken lines shown in FIGS. 9-12 represent the illumination at the front surface of the car tail light and form no part of the claimed design.

(56) **References Cited**

U.S. PATENT DOCUMENTS

D293,824 S * 1/1988 Ichikawa D26/29

D574,978 S * 8/2008 Hyodo D26/28

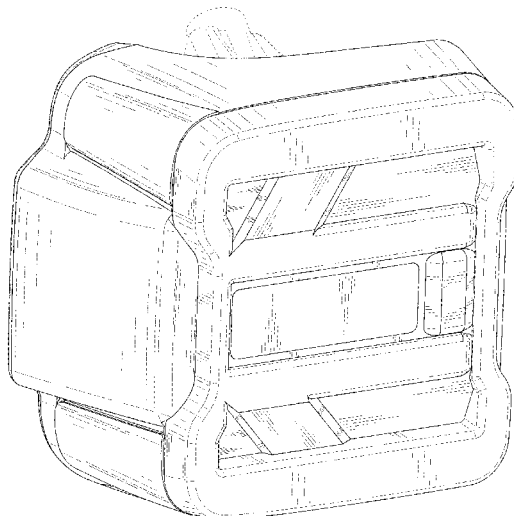
(Continued)

FOREIGN PATENT DOCUMENTS

CN 305111102 * 4/2019

CN 305328804 * 8/2019

1 Claim, 12 Drawing Sheets



(58) **Field of Classification Search**

CPC 43/15; F21S 43/245; F21S 43/50; F21V
21/04

See application file for complete search history.

D898,987 S * 10/2020 Bennett D26/139
 D901,728 S * 11/2020 Zou D26/28
 D921,940 S * 6/2021 Yang D26/28
 D926,341 S * 7/2021 Chen D26/28
 D928,359 S * 8/2021 Luo D26/28
 2018/0194271 A1* 7/2018 Eboli, Jr. F21S 45/10

(56) **References Cited**

U.S. PATENT DOCUMENTS

D741,529 S * 10/2015 Glover D26/28
 D857,263 S * 8/2019 Goodrich D26/28
 D857,264 S * 8/2019 Goodrich D26/28
 D868,317 S * 11/2019 Lin D26/28
 D874,037 S * 1/2020 Grabowski D26/28
 D887,044 S * 6/2020 Lin D26/28
 D892,009 S * 8/2020 Russell D12/190
 D897,597 S * 9/2020 Hu D28/26

OTHER PUBLICATIONS

“LDETXY LED Tail Lights for Jeep Wrangler JL JLU 2018-2023”,
 available in Amazon.com, first available online Aug. 13, 2021, site
 visited Mar. 1, 2023, Internet URL: https://www.amazon.com/dp/B09CKH6THW?_encoding=UTF8&psc=1&ref=cm_sw_r_cp_ud_dp_Z8RT39BQE4K69SVQW2P1 (Year: 2021).*

* cited by examiner



FIG. 1

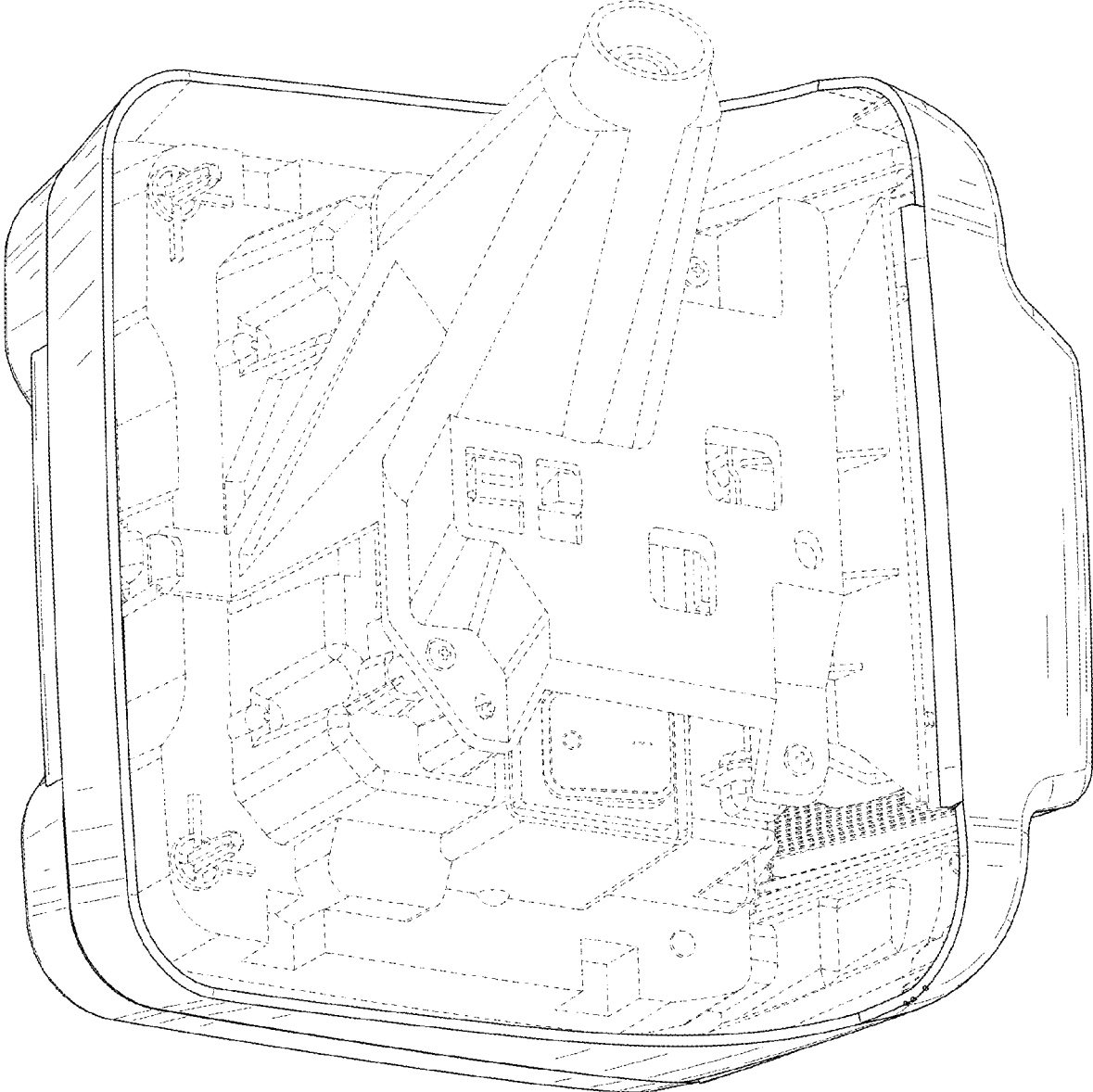


FIG. 2

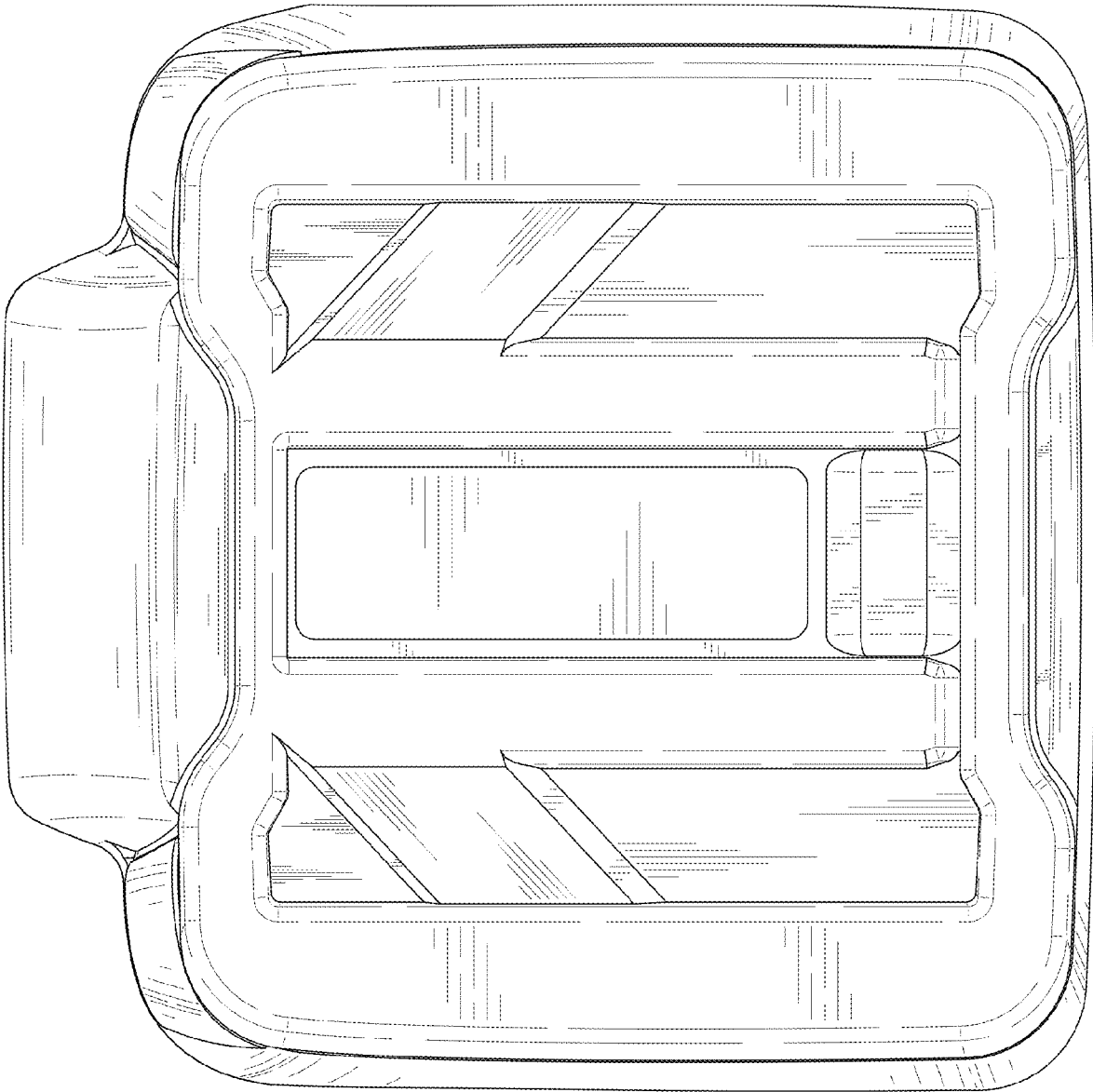


FIG. 3

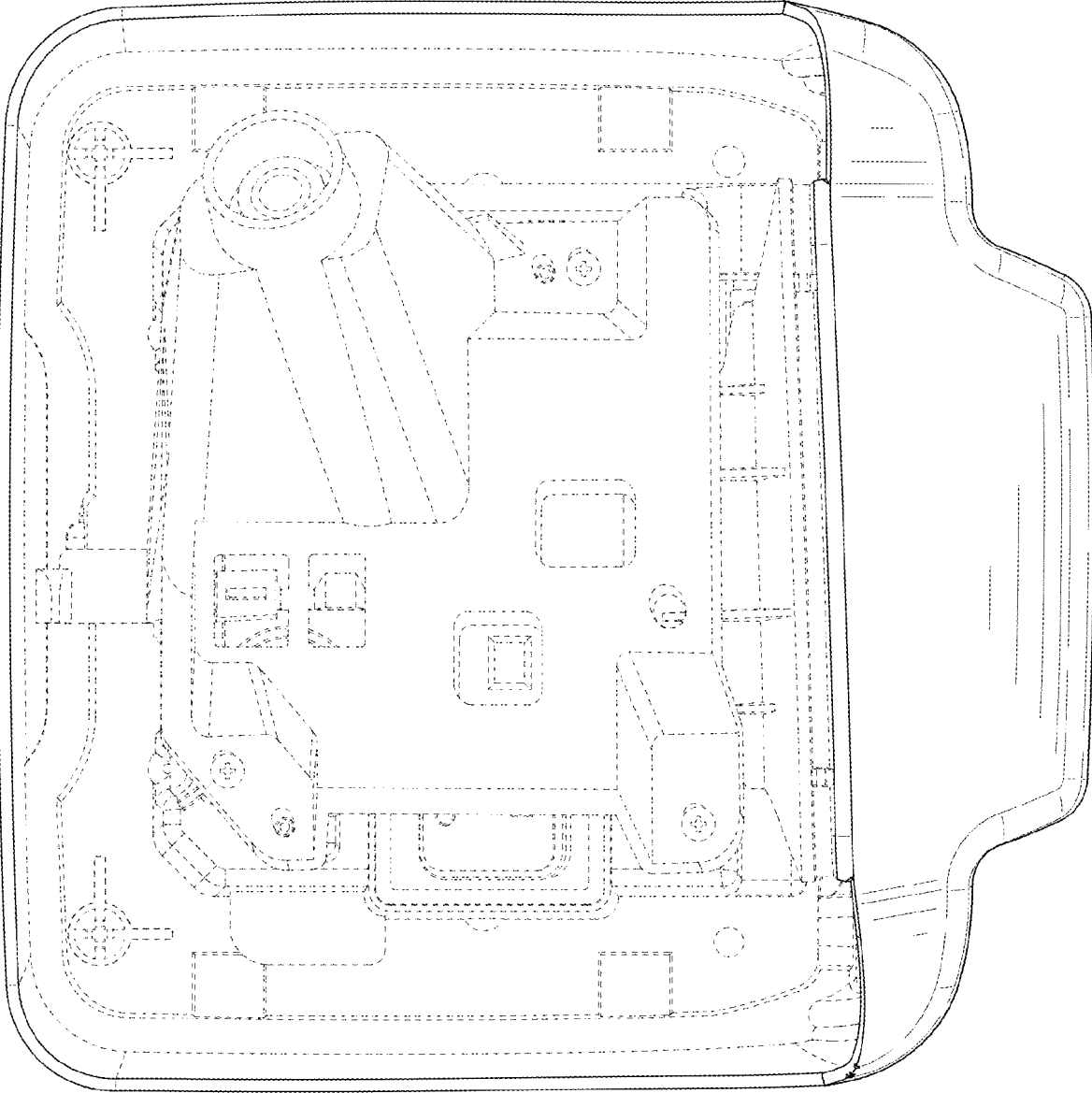


FIG. 4

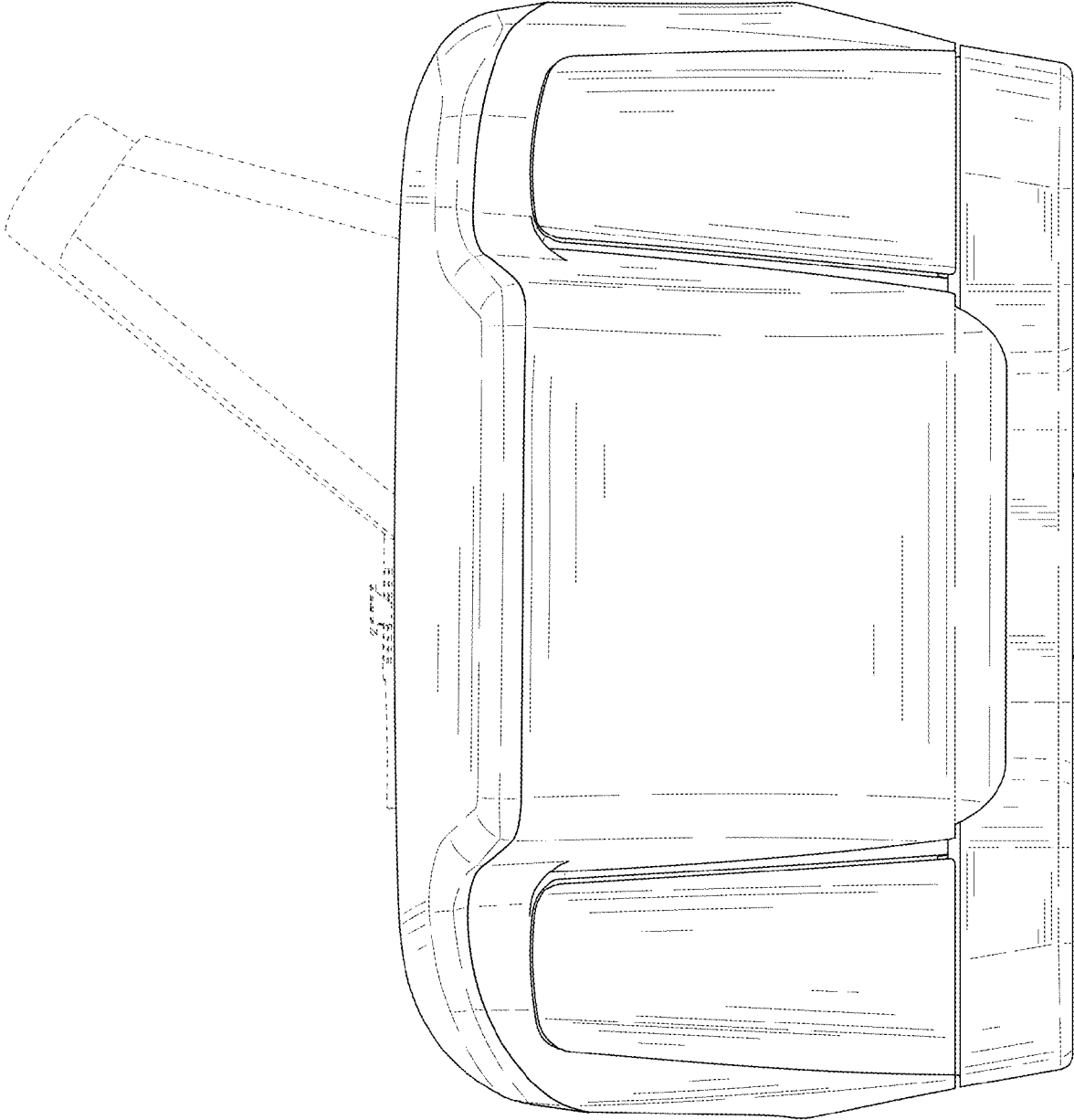


FIG. 5

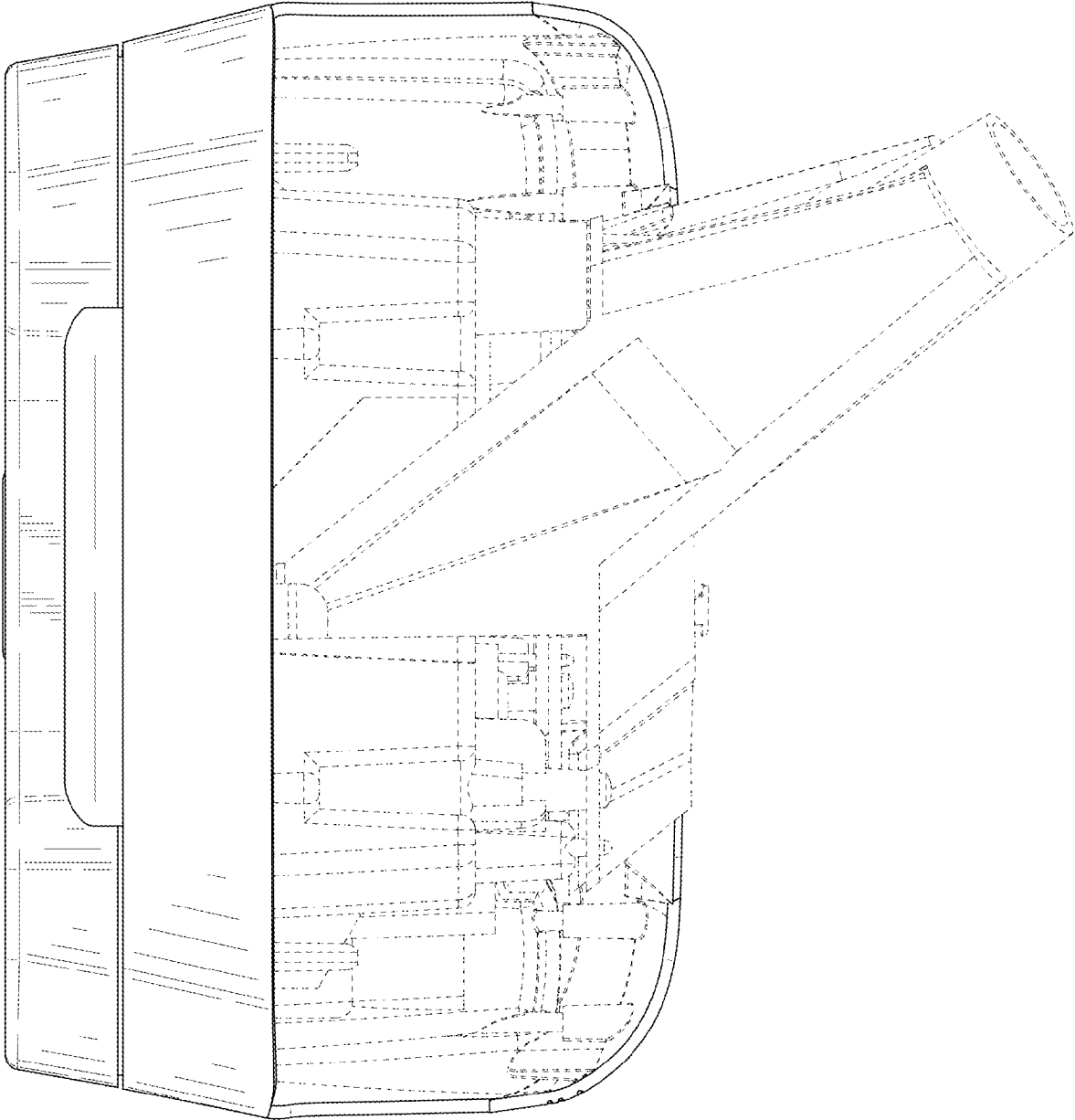


FIG. 6

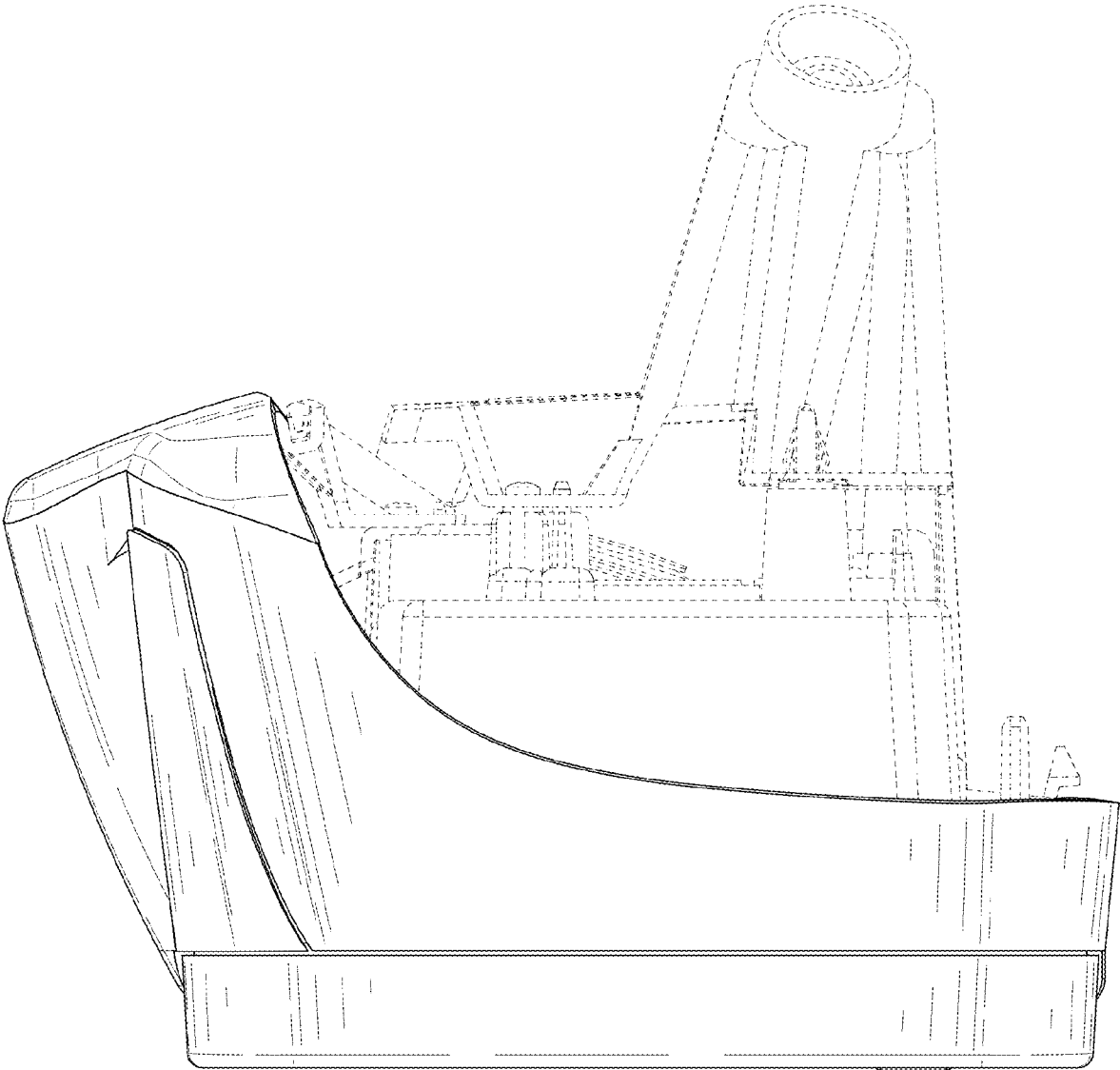


FIG. 7

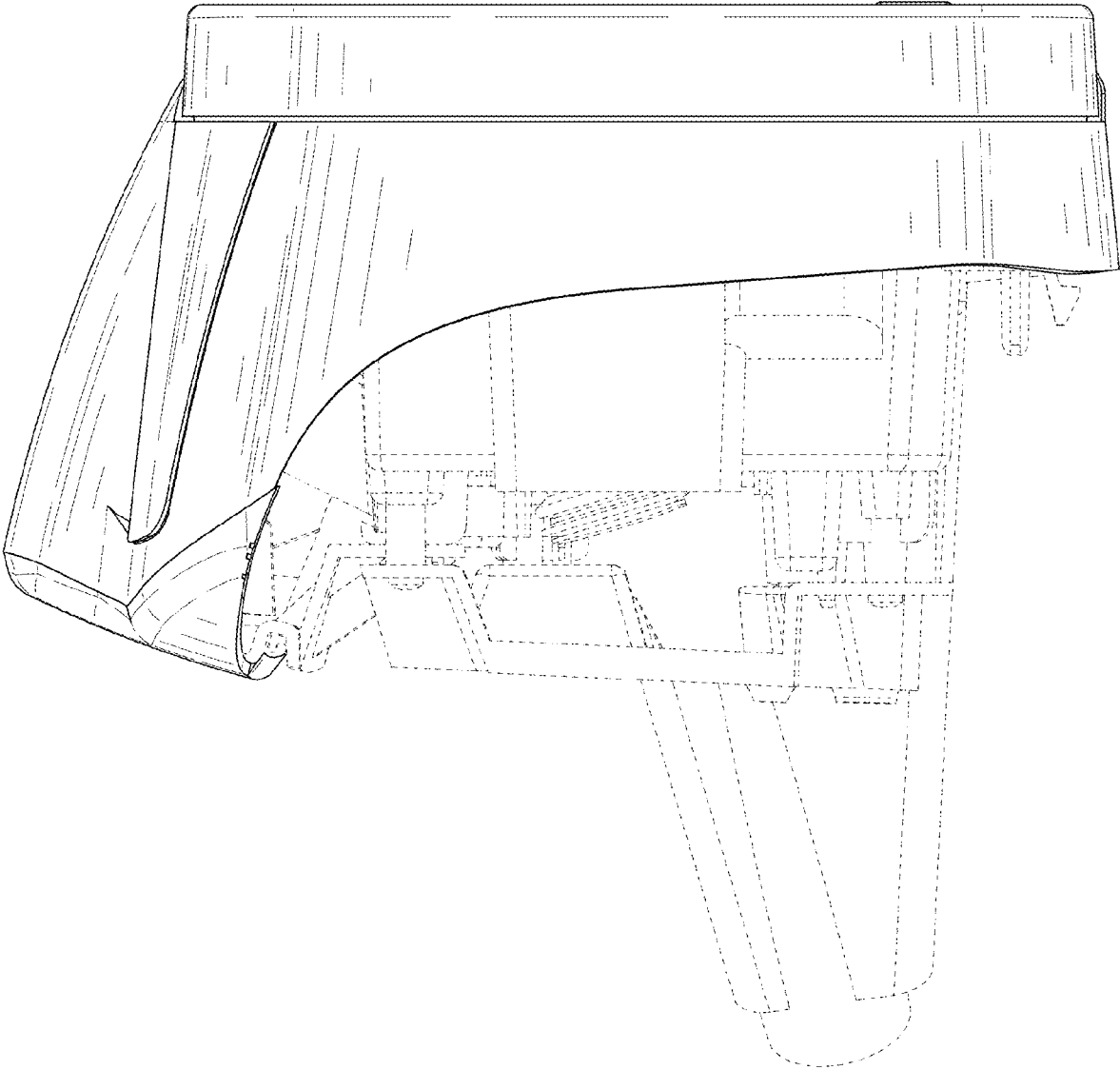


FIG. 8

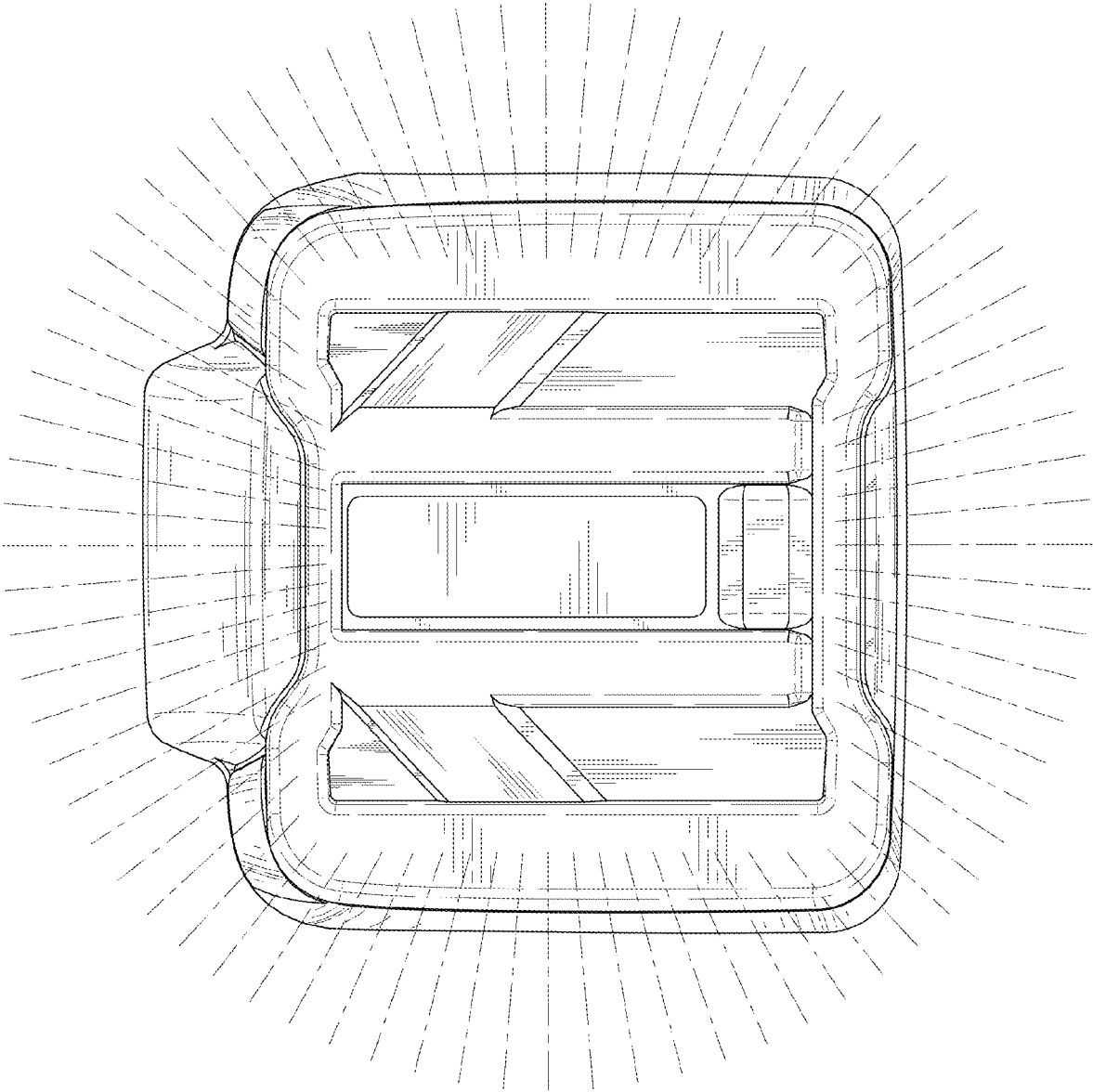


FIG. 9

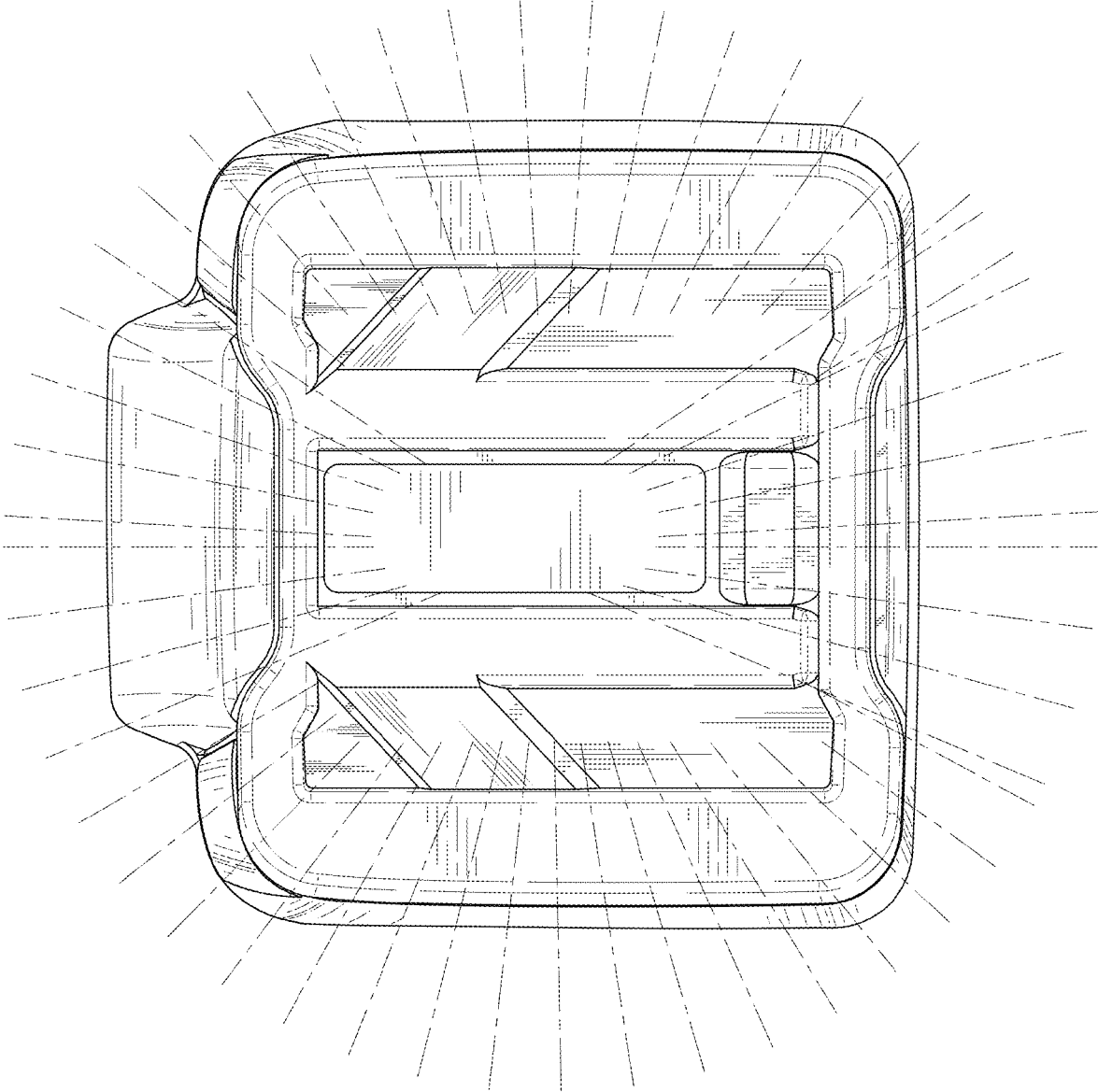


FIG. 10

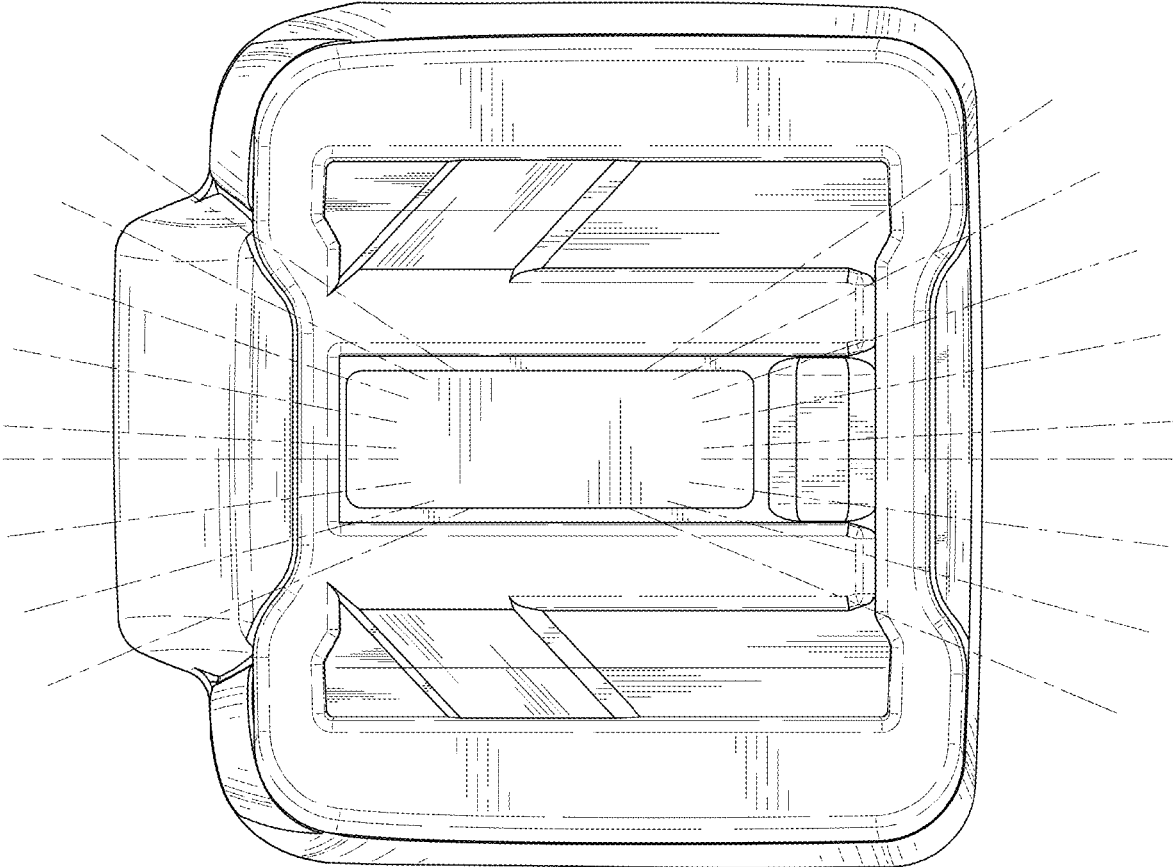


FIG. 11

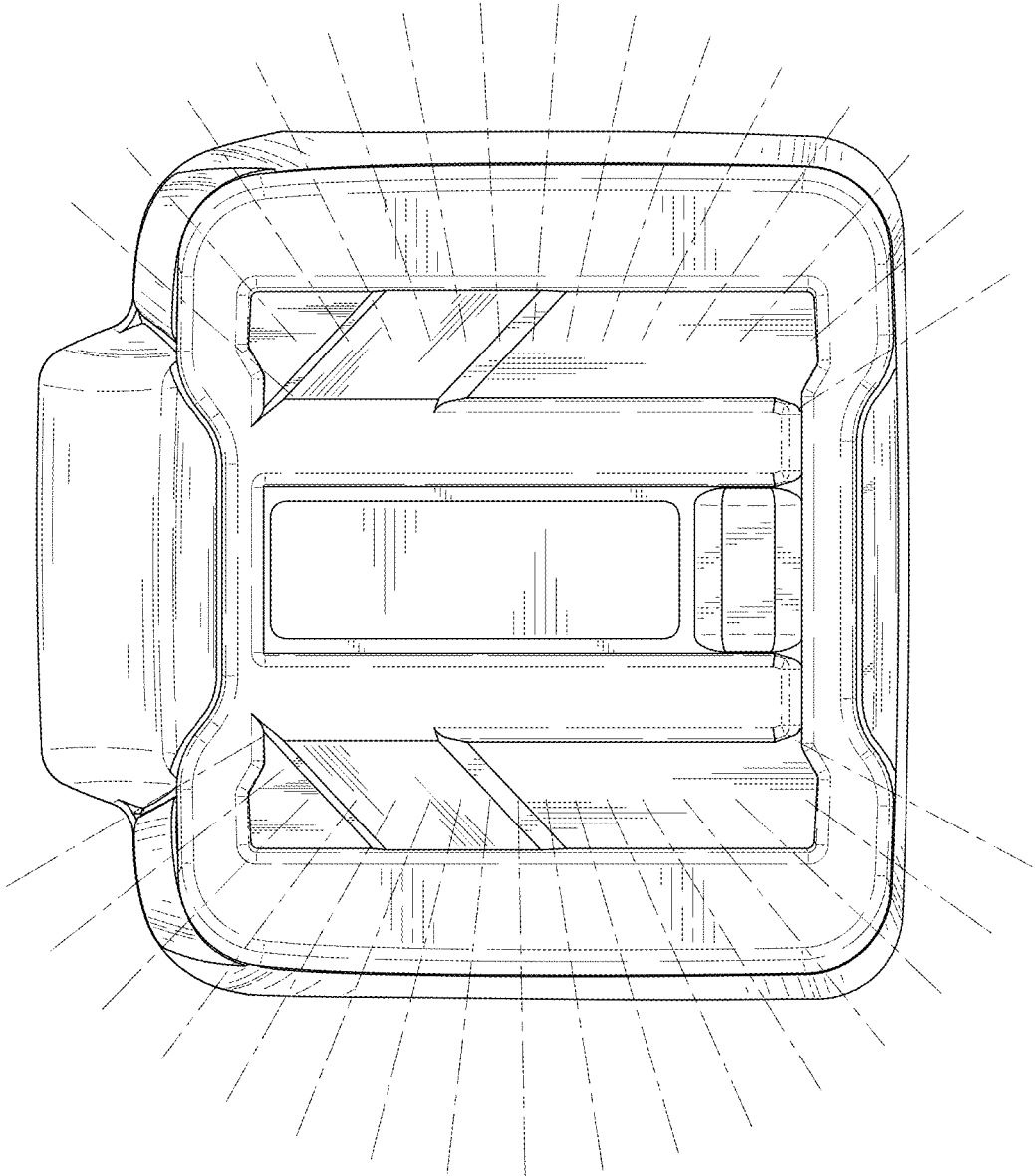


FIG. 12