



US00D804366S

(12) **United States Design Patent**  
**Wunderlin**

(10) **Patent No.:** **US D804,366 S**

(45) **Date of Patent:** **\*\* Dec. 5, 2017**

(54) **BALANCE BIKE**  
(71) Applicant: **Matthias Wunderlin**, Lausen (CH)  
(72) Inventor: **Matthias Wunderlin**, Lausen (CH)  
(\*\*) Term: **15 Years**

8,414,007 B2 \* 4/2013 Chen ..... B62K 9/00  
280/278  
D695,847 S \* 12/2013 Liu ..... D12/111  
D729,700 S \* 5/2015 De Roeck ..... D12/111  
D735,620 S \* 8/2015 Pape ..... D12/111  
D739,308 S \* 9/2015 Barnaby Latham ..... D12/111

(Continued)

(21) Appl. No.: **29/577,290**  
(22) Filed: **Sep. 12, 2016**

FOREIGN PATENT DOCUMENTS

EM 3064146-0001 4/2016  
EM 3064146-0002 4/2016  
EM 3064146-0003 4/2016

(Continued)

(30) **Foreign Application Priority Data**

Apr. 11, 2016 (EM) ..... 003064146-0004

OTHER PUBLICATIONS

(51) **LOC (10) Cl.** ..... **12-11**  
(52) **U.S. Cl.**  
USPC ..... **D12/111; D21/432**  
(58) **Field of Classification Search**  
USPC ..... D12/111, 117; D21/412, 414, 419,  
D21/423-428, 431-435  
CPC ..... B62K 3/00; B62K 3/02; B62K 3/06  
See application file for complete search history.

U.S. Appl. No. 29/542,136, Wunderlin.  
U.S. Appl. No. 15/046,517, Wunderlin.

*Primary Examiner* — Darlington Ly  
(74) *Attorney, Agent, or Firm* — Mitchell Law PLLC;  
Matthew W. Mitchell

(57) **CLAIM**

The ornamental design for a balance bike, as shown and described.

(56) **References Cited**

**DESCRIPTION**

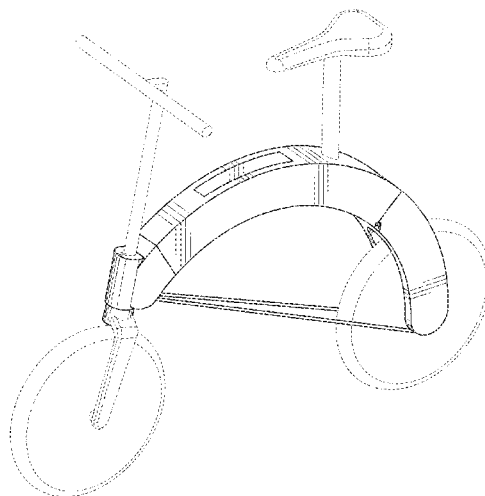
U.S. PATENT DOCUMENTS

D330,354 S \* 10/1992 Ogden ..... D12/111  
D504,845 S \* 5/2005 Coerschulte ..... D12/111  
D512,664 S \* 12/2005 Schreier ..... D12/111  
D537,758 S \* 3/2007 Grepper ..... D12/111  
D561,649 S \* 2/2008 Latham ..... D12/111  
D567,149 S \* 4/2008 Grepper ..... D12/111  
D597,147 S \* 7/2009 Verlinden ..... D21/424  
D629,049 S \* 12/2010 McFarland ..... B62K 3/10  
D12/111  
D659,597 S \* 5/2012 Chen ..... D12/111  
8,191,931 B1 \* 6/2012 Mulder ..... B62K 9/00  
280/828  
D668,586 S \* 10/2012 Golias ..... D12/111  
8,286,974 B2 \* 10/2012 Chen ..... B62K 9/00  
280/1.188  
D671,173 S \* 11/2012 Tompkin ..... D12/111

FIG. 1 is a top, front, and left-side perspective view of the balance bike showing my new design;  
FIG. 2 is a bottom, front, and right-side perspective view thereof;  
FIG. 3 is a left-side elevation view thereof;  
FIG. 4 is a right-side elevation view thereof;  
FIG. 5 is a front elevation view thereof;  
FIG. 6 is a rear elevation view thereof;  
FIG. 7 is a top plan view thereof; and,  
FIG. 8 is a bottom plan view thereof.

The broken lines in the drawings illustrate portions of the balance bike that forms no part of the claimed design.

**1 Claim, 7 Drawing Sheets**



(56)

**References Cited**

U.S. PATENT DOCUMENTS

D781,753 S \* 3/2017 Wunderlin ..... D12/111

FOREIGN PATENT DOCUMENTS

EM	3064146-0004	4/2016
EM	3064146-0005	4/2016
EM	3064146-0006	4/2016

\* cited by examiner

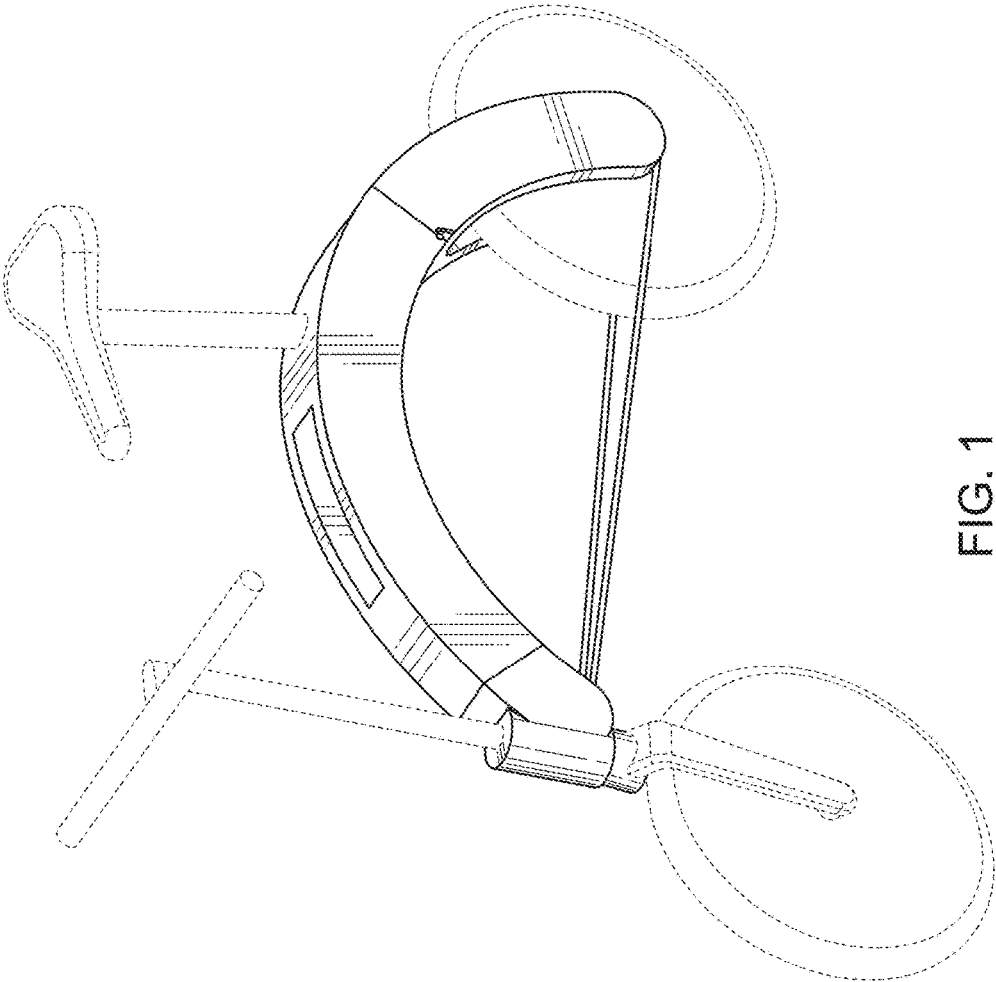


FIG. 1

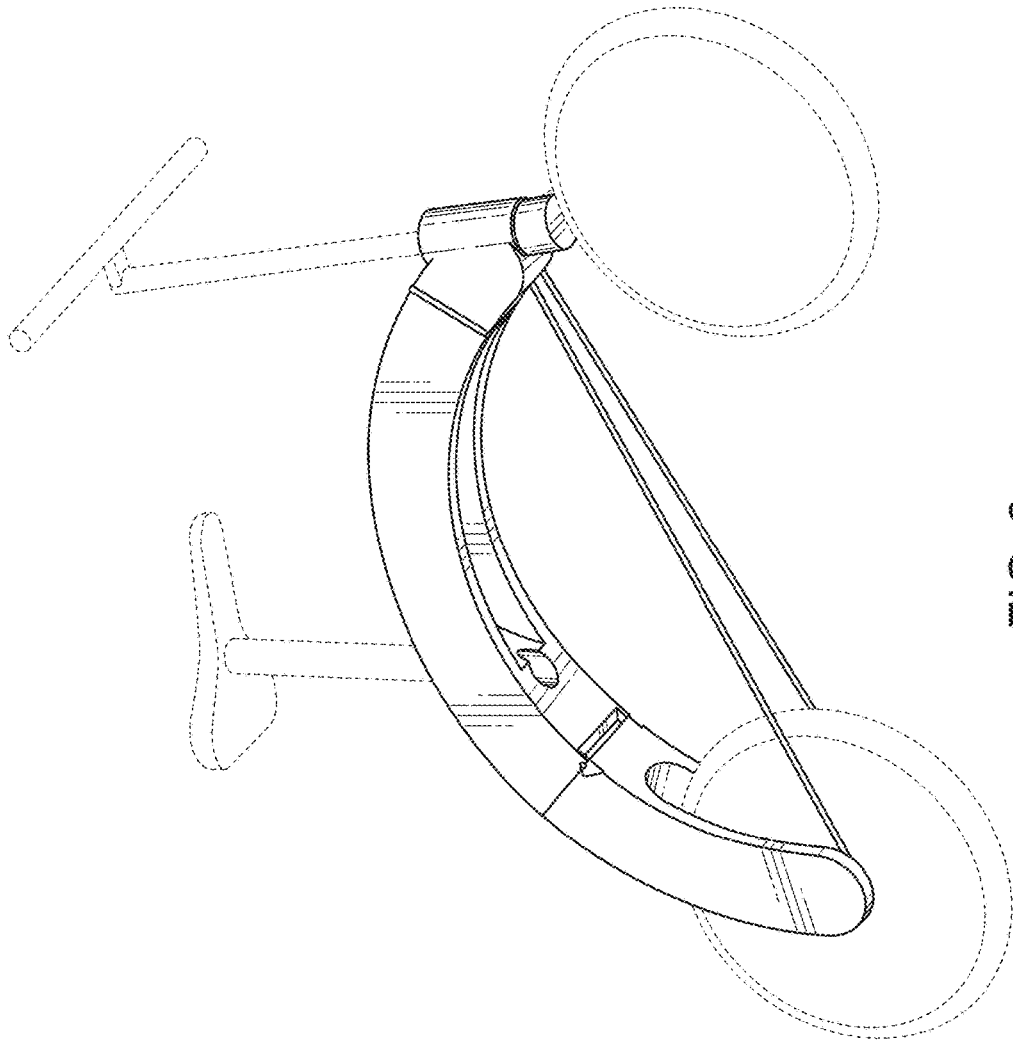


FIG. 2

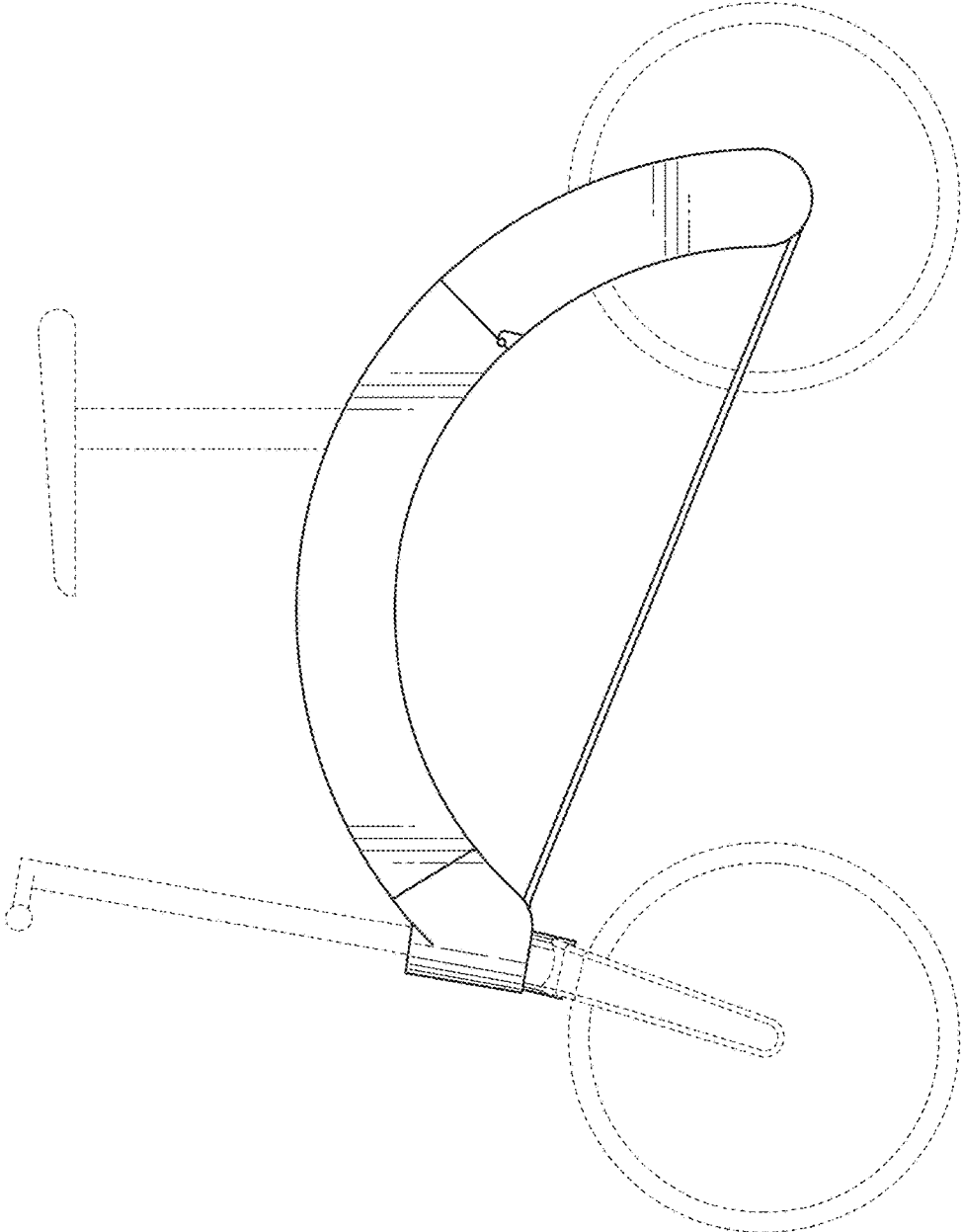


FIG. 3

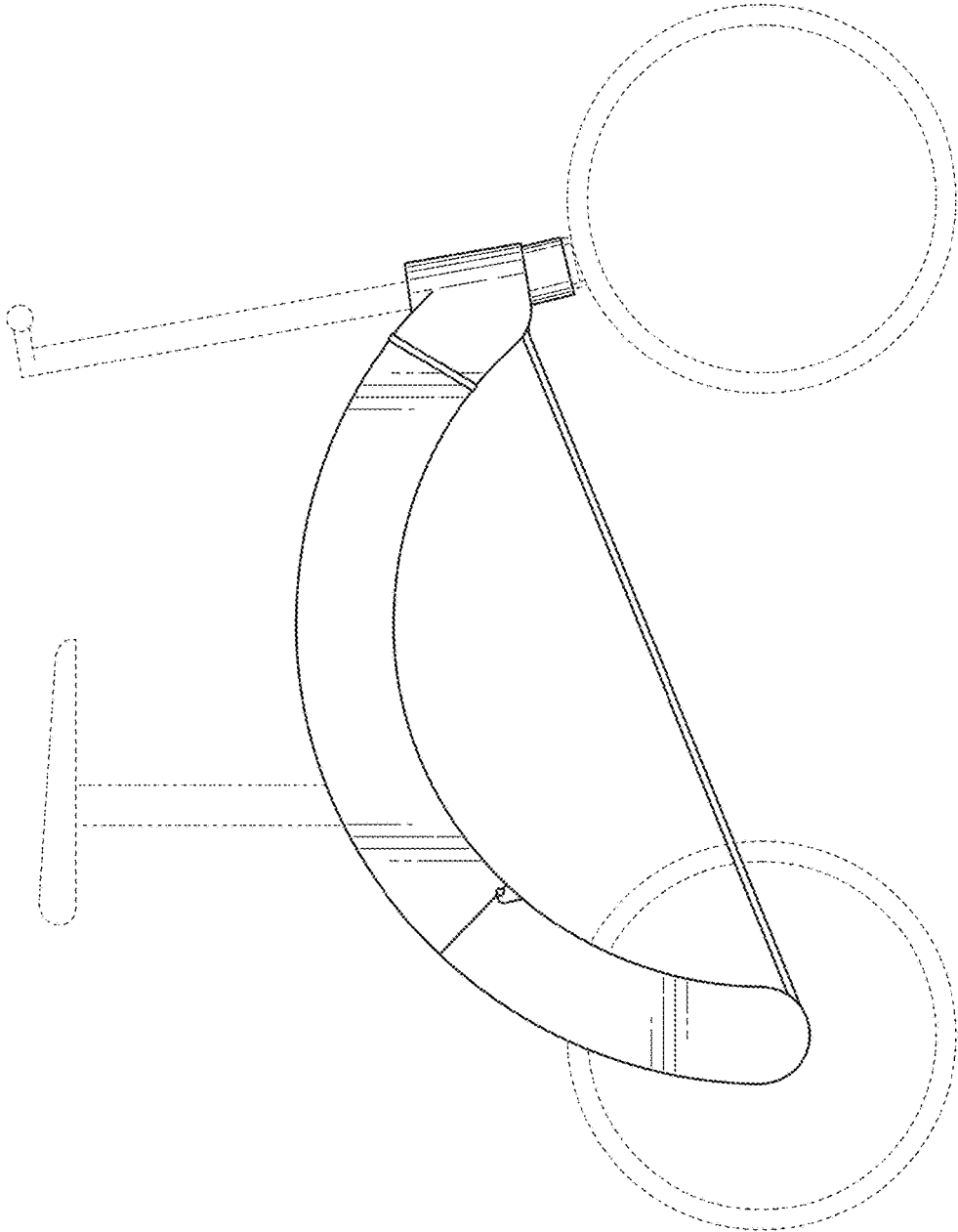


FIG. 4

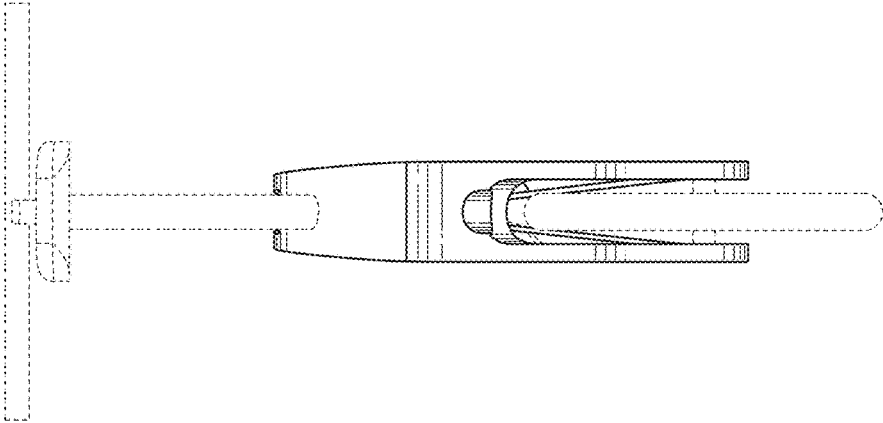


FIG. 6

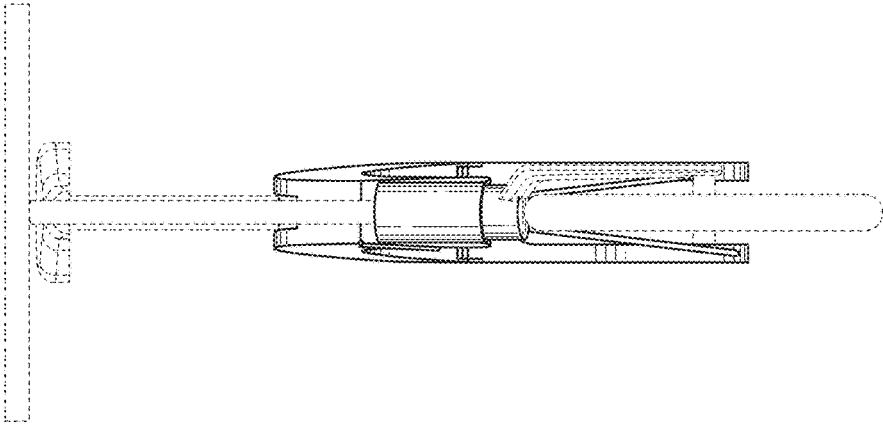


FIG. 5

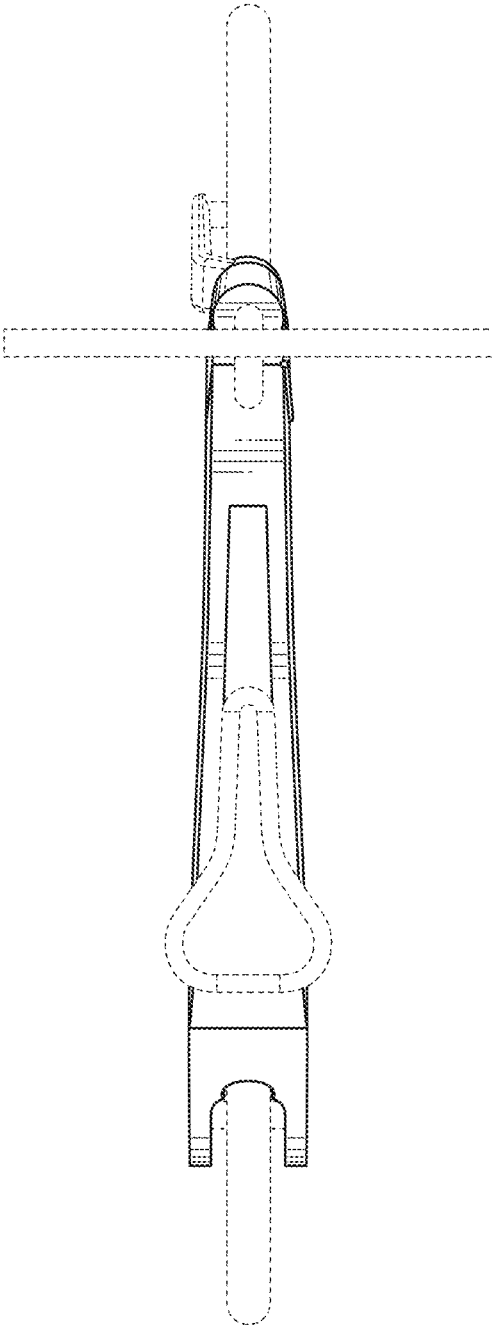


FIG. 7

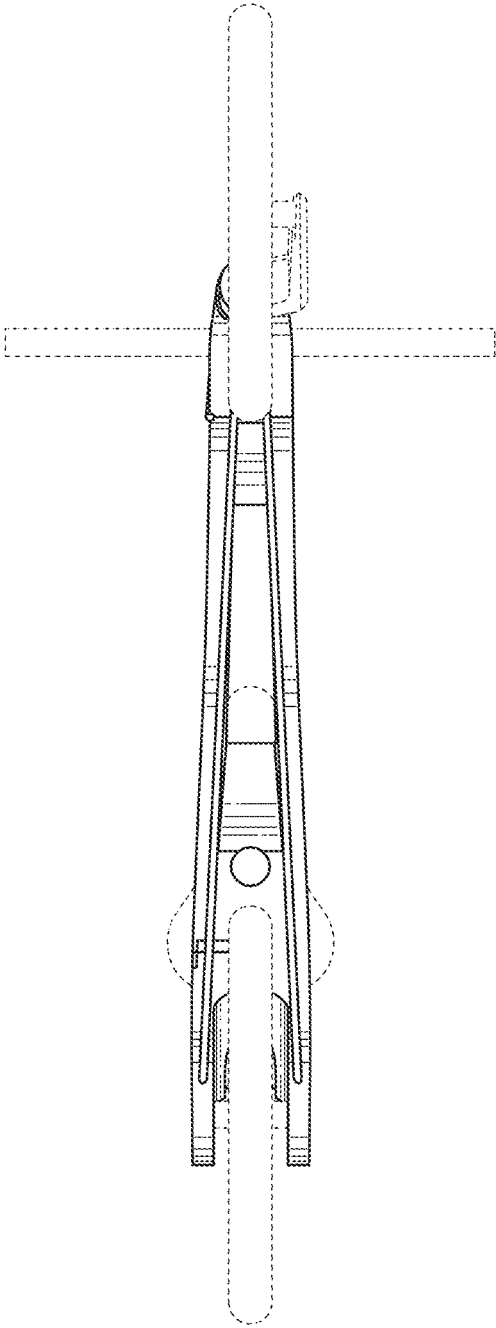


FIG. 8