



US00D730663S

(12) **United States Design Patent**
Logan et al.

(10) **Patent No.:** **US D730,663 S**
(45) **Date of Patent:** **** Jun. 2, 2015**

- (54) **RETAIL DISPLAY FIXTURE**
- (71) Applicant: **TARGET BRANDS, INC.,**
Minneapolis, MN (US)
- (72) Inventors: **Robert G. Logan**, Blaine, MN (US);
Jeremy A. Clark, Minneapolis, MN
(US); **David H. Cheney**, Shoreview, MN
(US); **Paul A. Schlough**, Andover, MN
(US); **Jason L. Dusbabek**, Elk River,
MN (US)
- (73) Assignee: **Target Brands, Inc.**, Minneapolis, MN
(US)
- (**) Term: **14 Years**
- (21) Appl. No.: **29/493,235**
- (22) Filed: **Jun. 6, 2014**

3,154,870 A	11/1964	Hopp et al.	
3,601,256 A *	8/1971	Bowers et al.	108/108
3,778,915 A	12/1973	Freeman et al.	
D243,891 S *	4/1977	Snyder	D6/431
4,191,298 A	3/1980	Broudy	
4,237,636 A	12/1980	Matthews	
4,258,494 A	3/1981	Borque	
4,408,407 A	10/1983	Bloom et al.	
4,526,110 A *	7/1985	Franz	108/108
4,742,633 A	5/1988	Snediker	
4,785,946 A *	11/1988	Sorensen	211/187
4,790,091 A	12/1988	Hull	
4,854,533 A	8/1989	Sainato	
4,887,783 A *	12/1989	Franklin	248/220.41

(Continued)

Primary Examiner — Kelley Donnelly

(74) *Attorney, Agent, or Firm* — JoAnn M. Seaton; Griffiths & Seaton PLLC

(57) **CLAIM**

The ornamental design for a retail display fixture, as shown and described.

DESCRIPTION

FIG. 1 is a front, perspective view of a retail display fixture showing a first embodiment of our new design;
 FIG. 2 is a front view thereof;
 FIG. 3 is a right side view thereof;
 FIG. 4 is a left side view thereof; and
 FIG. 5 is a top view thereof.
 FIG. 6 is a front, perspective view of a retail display fixture showing a second embodiment of our new design;
 FIG. 7 is a front view thereof;
 FIG. 8 is a right side view thereof;
 FIG. 9 is a left side view thereof; and,
 FIG. 10 is a top view thereof.

The features shown in broken lines are portions of the retail display fixture or environmental subject matter to the retail display fixture forming no part of the claimed design. The rear and bottom views are omitted as none of the surfaces visible in those views are claimed.

1 Claim, 6 Drawing Sheets

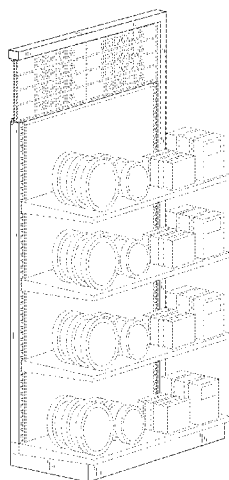
Related U.S. Application Data

- (63) Continuation of application No. 13/712,530, filed on Dec. 12, 2012, now Pat. No. 8,782,936.
- (51) **LOC (10) Cl.** **06-06**
- (52) **U.S. Cl.**
USPC **D6/675**
- (58) **Field of Classification Search**
USPC D6/332, 449, 466-468, 675, 682;
D20/10, 19, 43; D25/58; 211/86-90,
211/162, 187, 189, 194, 94, 94.5, 41.15,
211/169; 248/346.3, 346.03, 346.4, 346.5;
52/36.1, 239; 160/135, 351, 352
CPC A47F 5/0081; A47F 5/0018
See application file for complete search history.

References Cited

U.S. PATENT DOCUMENTS

- 1,824,578 A 9/1931 Thake
- D194,019 S 11/1962 Smith



(56)

References Cited

U.S. PATENT DOCUMENTS

5,012,603 A 5/1991 Elcock
 D333,227 S * 2/1993 Horvath D6/468
 5,236,095 A 8/1993 Krizka
 5,240,127 A * 8/1993 Levin et al. 211/186
 5,419,134 A 5/1995 Gibson
 5,433,046 A 7/1995 MacQuarrie et al.
 5,443,167 A 8/1995 Menaged et al.
 5,462,178 A 10/1995 Wallach et al.
 D371,026 S 6/1996 Hendler et al.
 5,607,070 A * 3/1997 Hellyer 211/189
 5,624,044 A 4/1997 Black, Jr.
 5,660,286 A 8/1997 Shea
 5,722,623 A 3/1998 Gibson
 D400,737 S * 11/1998 DePottety et al. D6/468
 5,890,607 A * 4/1999 Maglione 211/189
 5,933,992 A 8/1999 Padiak et al.
 RE36,669 E 4/2000 Zilincar, III
 D431,937 S * 10/2000 Heiny et al. D6/479
 D434,082 S 11/2000 Tsiogas
 D454,373 S 3/2002 Kosir
 D468,934 S * 1/2003 Dienstmann D6/449
 6,523,291 B2 2/2003 Nagel
 6,533,134 B1 3/2003 Menaged et al.
 6,601,328 B1 8/2003 Benaquista et al.
 6,607,083 B1 8/2003 Webb
 D479,277 S * 9/2003 Strunk et al. D20/41
 6,698,124 B2 3/2004 Kump et al.
 6,932,226 B2 8/2005 Hardy
 6,996,929 B1 2/2006 Greene, Jr. et al.

D591,531 S * 5/2009 Sparkowski D6/464
 7,600,895 B2 10/2009 Hawkins et al.
 D607,669 S * 1/2010 Trinh et al. D6/477
 D610,832 S * 3/2010 Rheault D6/436
 7,797,869 B2 9/2010 Tollis et al.
 D625,760 S 10/2010 Wormser
 D628,653 S 12/2010 Shedarowich
 D631,097 S 1/2011 Giugiario
 D633,313 S * 3/2011 Ma D6/397
 D637,421 S * 5/2011 Theisen et al. D6/478
 D637,422 S * 5/2011 Theisen et al. D6/478
 7,946,066 B2 5/2011 Wamsley
 D642,824 S * 8/2011 Theisen et al. D6/449
 D647,978 S 11/2011 Bacskai et al.
 D661,124 S * 6/2012 Curbbun et al. D6/396
 D662,329 S * 6/2012 Arko et al. D6/332
 D664,599 S 7/2012 Clark et al.
 D669,284 S * 10/2012 Canavan et al. D6/473
 D679,521 S * 4/2013 Hamm et al. D6/672
 D708,459 S * 7/2014 Heirakuji et al. D6/675
 8,782,936 B2 * 7/2014 Logan et al. 40/606.01
 D712,692 S * 9/2014 McManic et al. D6/702
 D715,682 S * 10/2014 Taylor et al. D11/143
 D717,808 S * 11/2014 Tsuru et al. D14/485
 D719,577 S * 12/2014 Tsuru et al. D14/485
 2002/0026737 A1 3/2002 Tramont
 2006/0185203 A1 8/2006 Bittle et al.
 2007/0209259 A1 9/2007 Pavlik et al.
 2008/0149576 A1 6/2008 Onachilla et al.
 2011/0192812 A1 8/2011 Weigand et al.
 2011/0219653 A1 9/2011 Shea et al.

* cited by examiner

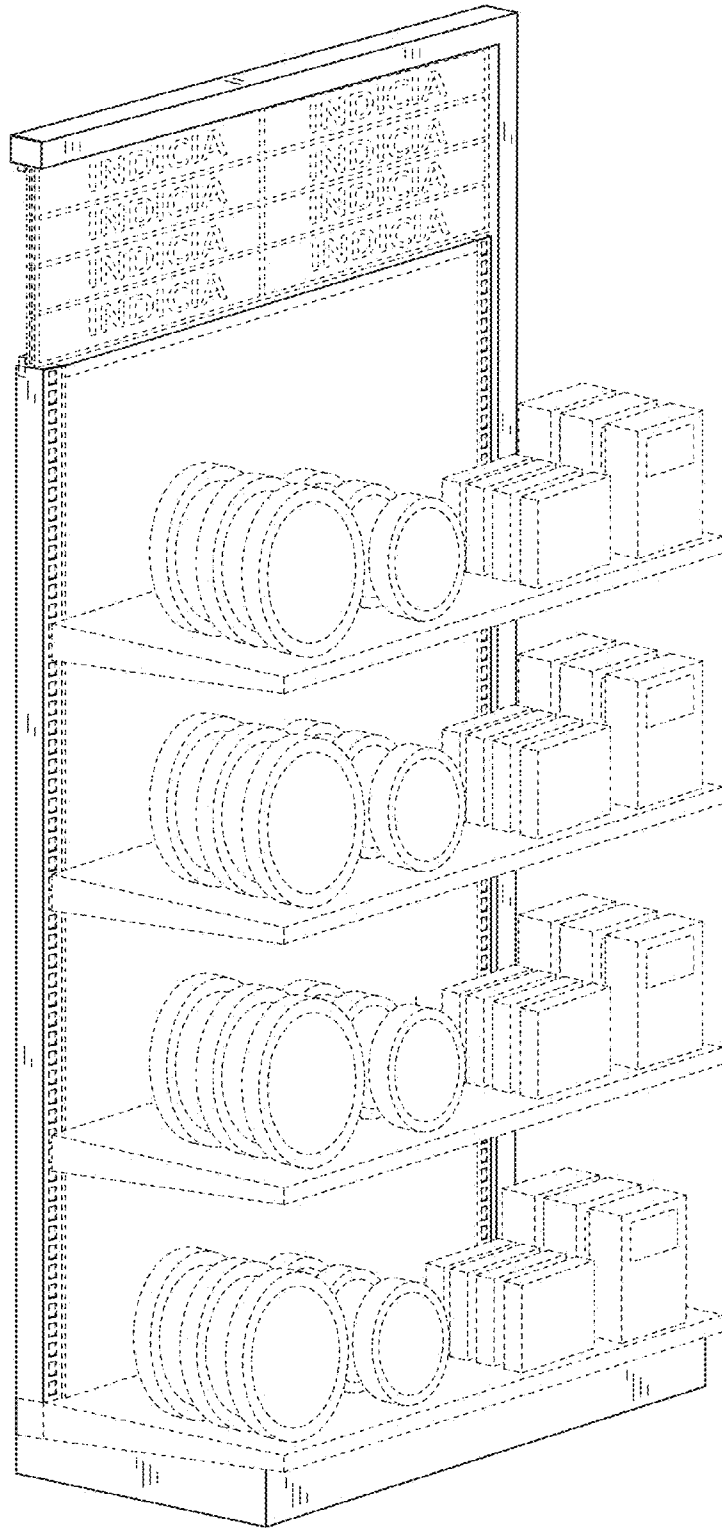


FIG. 1

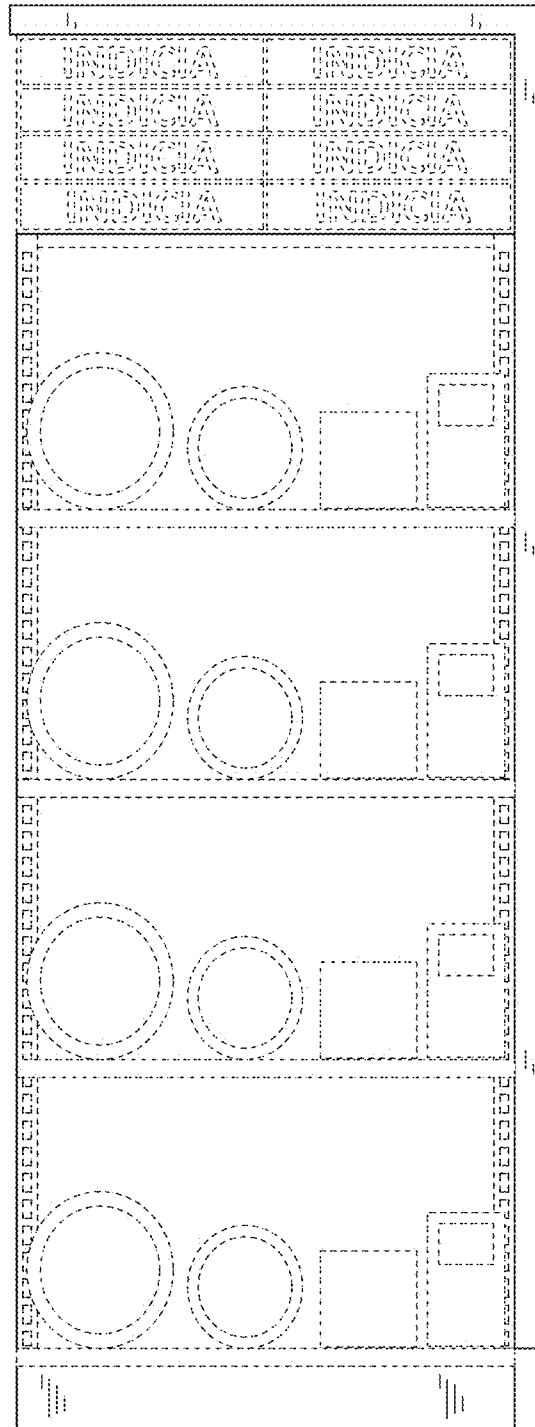


FIG. 2

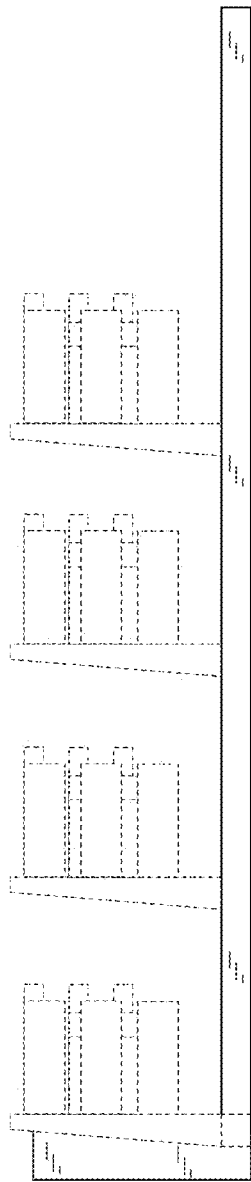


FIG. 3

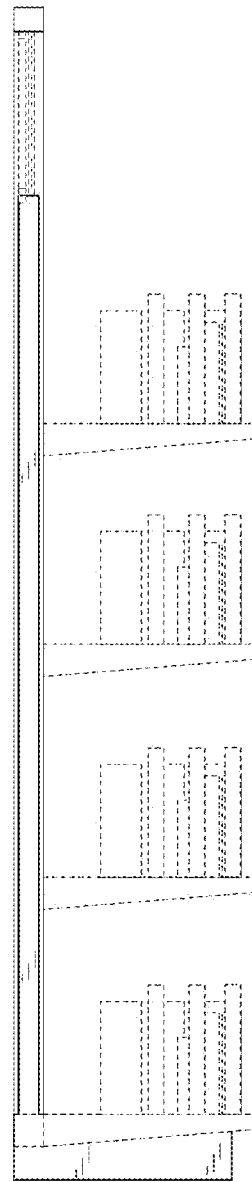


FIG. 4

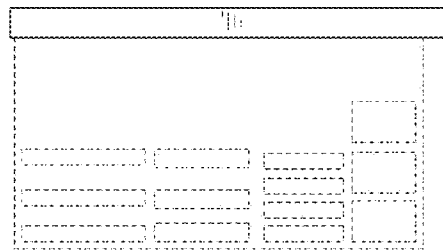


FIG. 5

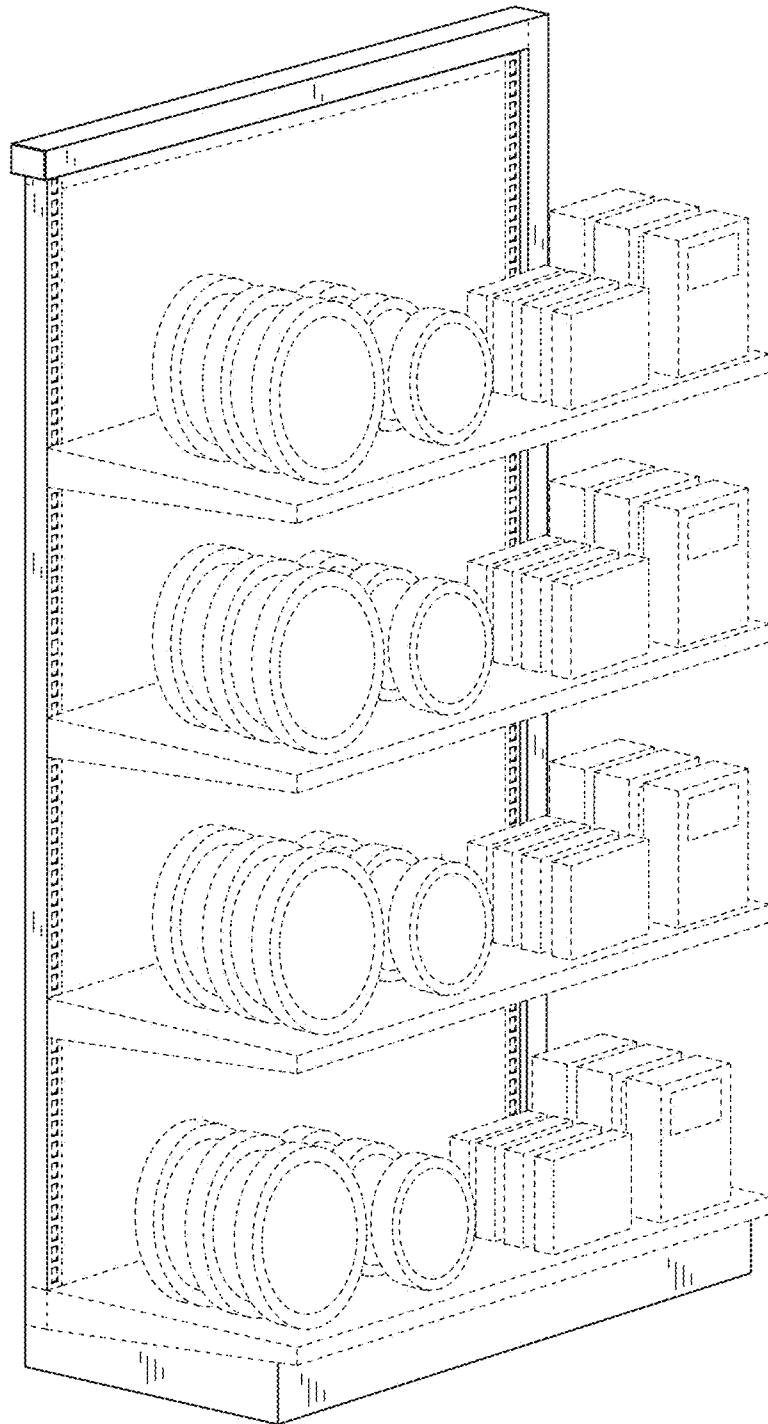


FIG. 6

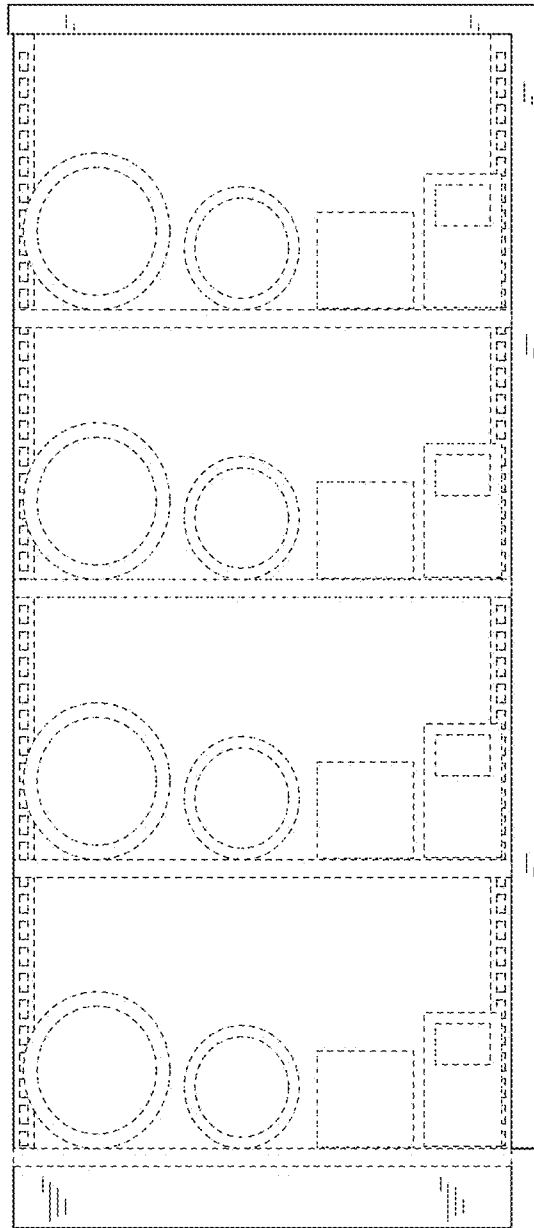


FIG. 7

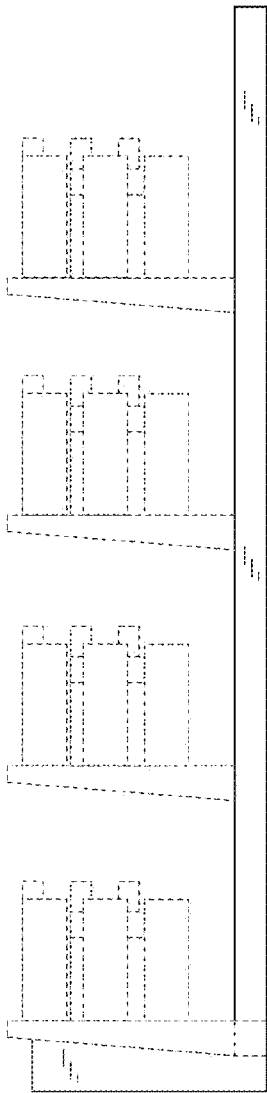


FIG. 8

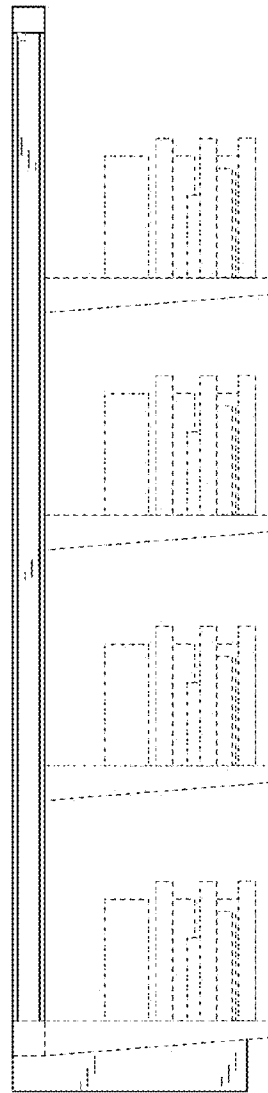


FIG. 9

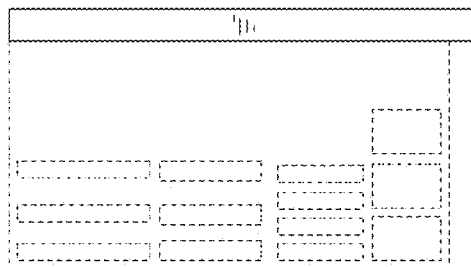


FIG. 10