



US00D728846S

(12) **United States Design Patent**  
**McCormick et al.**

(10) **Patent No.:** **US D728,846 S**  
(45) **Date of Patent:** **\*\* May 5, 2015**

(54) **ADJUSTABLE FLOOR LAMP**

*Primary Examiner* — Brian N Vinson

(71) Applicants: **Michael D. McCormick**, Eugene, OR (US); **Nathan W. Wiedenmann**, Eugene, OR (US)

(57) **CLAIM**  
The ornamental design for an adjustable floor lamp, as shown.

(72) Inventors: **Michael D. McCormick**, Eugene, OR (US); **Nathan W. Wiedenmann**, Eugene, OR (US)

**DESCRIPTION**

(73) Assignee: **Stella Lighting Inc.**

(\*\*) Term: **14 Years**

FIG. 1 is a perspective view of an adjustable floor lamp. FIG. 2 is a right side view of the adjustable floor lamp. FIG. 3 is a front view of the adjustable floor lamp. FIG. 4 is a back view of the adjustable floor lamp. FIG. 5 is a left side view of the adjustable floor lamp. FIG. 6 is a top view of the adjustable floor lamp. FIG. 7 is a bottom view of the adjustable floor lamp. FIG. 8 is a perspective view of the adjustable floor lamp with an optional, mounted, removable remote control shown in broken lines; the remote control is not part of the claimed design.

(21) Appl. No.: **29/448,767**

(22) Filed: **Mar. 13, 2013**

(51) **LOC (10) Cl.** ..... **26-03**

(52) **U.S. Cl.**  
USPC ..... **D26/107**

(58) **Field of Classification Search**  
CPC ..... F21S 6/00; F21S 6/002; F21S 6/004; F21S 6/005; F21S 6/006; F21S 8/043; F21S 8/08; F21V 21/14; F21V 21/06; F21V 21/145; F21V 21/15; F21W 2131/30; F21W 2131/20  
USPC ..... D26/24, 93, 107, 108  
See application file for complete search history.

FIG. 9 is a right side view of the adjustable floor lamp with the optional, mounted, removable remote control shown in broken lines; the remote control is not part of the claimed design. FIG. 10 is a front view of the adjustable floor lamp with the optional, mounted, removable remote control shown in broken lines; the remote control is not part of the claimed design. FIG. 11 is a back view of the adjustable floor lamp with the optional, mounted, removable remote control shown in broken lines; the remote control is not part of the claimed design. FIG. 12 is a left side view of the adjustable floor lamp with the optional, mounted, removable remote control shown in broken lines; the remote control is not part of the claimed design. FIG. 13 is a top view of the adjustable floor lamp with the optional, mounted, removable control shown in broken lines; the remote control is not part of the claimed design. FIG. 14 is a bottom view of the adjustable floor lamp with the optional, mounted, removable remote control shown in broken lines; the remote control is not part of the claimed design. FIGS. 15 and 16 are perspective views of the adjustable floor lamp adjusted to differing heights. FIGS. 17 and 18 are perspective views of the adjustable floor lamp adjusted to differing tilt angles; and, FIGS. 19 and 20 are perspective views of the adjustable floor lamp adjusted to differing twist angles.

(56) **References Cited**

**U.S. PATENT DOCUMENTS**

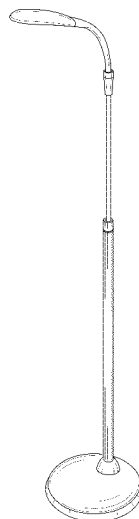
D411,024 S \* 6/1999 Schaak et al. .... D26/62  
D595,442 S \* 6/2009 Chan ..... D26/61  
D689,237 S \* 9/2013 Ke ..... D26/107

**OTHER PUBLICATIONS**

U.S. Appl. No. 29/448,775, Mar. 13, 2013, Wiedenmann.  
U.S. Appl. No. 29/470,876, Oct. 25, 2013, Wiedenmann.  
U.S. Appl. No. 29/470,875, Oct. 25, 2013, Wiedenmann.

\* cited by examiner

**1 Claim, 9 Drawing Sheets**



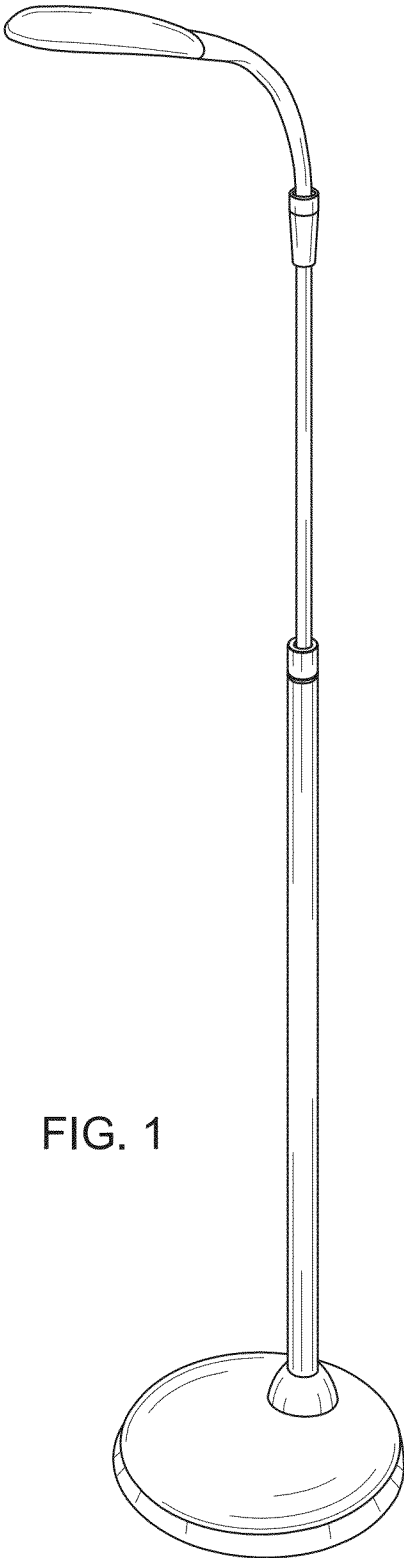


FIG. 1

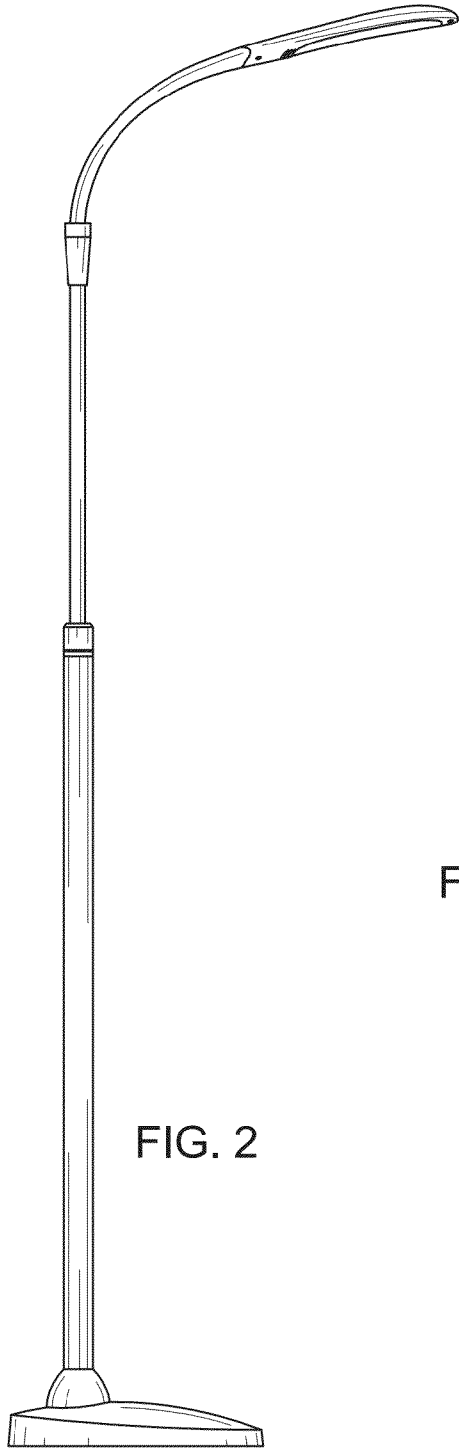


FIG. 3

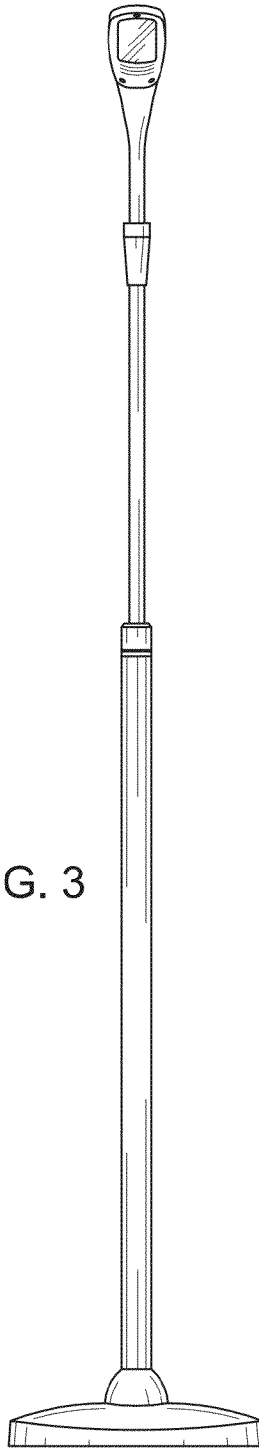
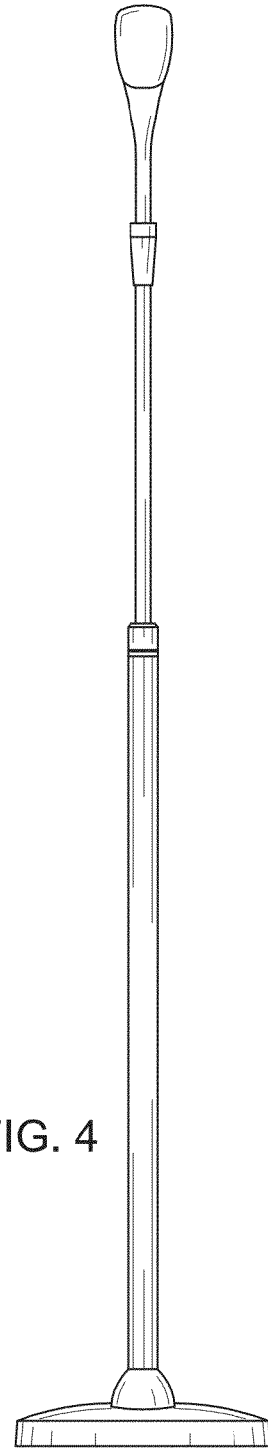


FIG. 4



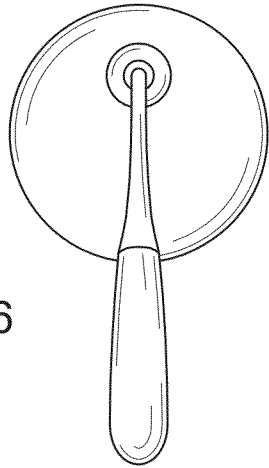


FIG. 6

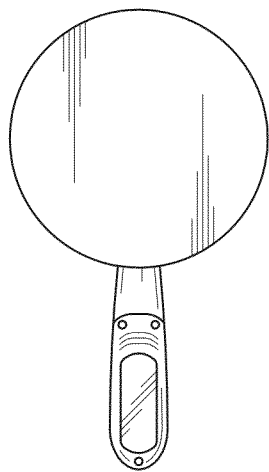


FIG. 7

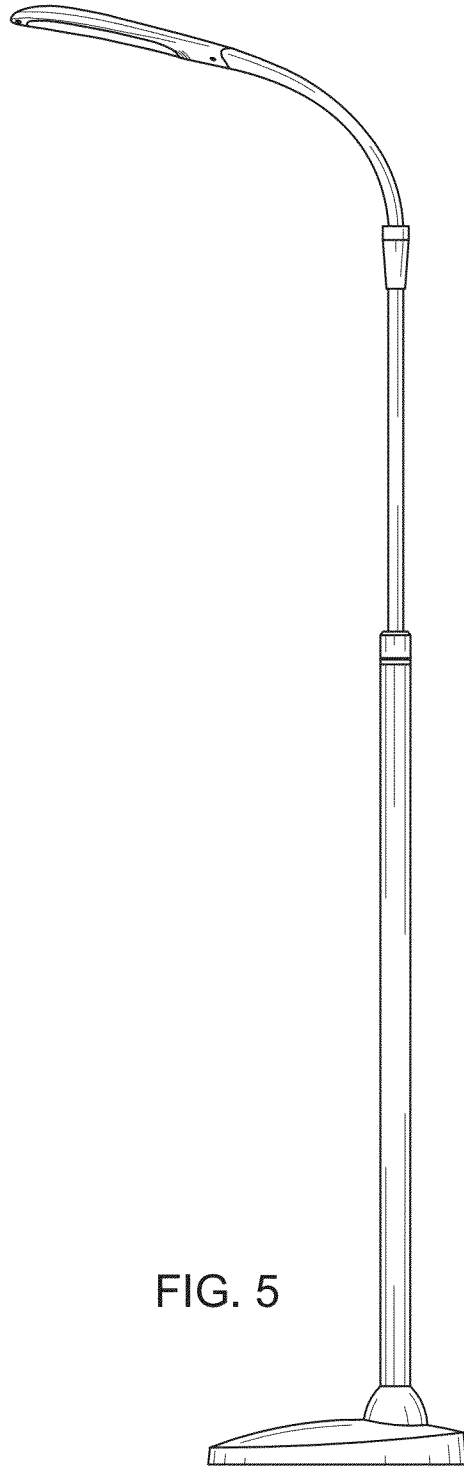


FIG. 5

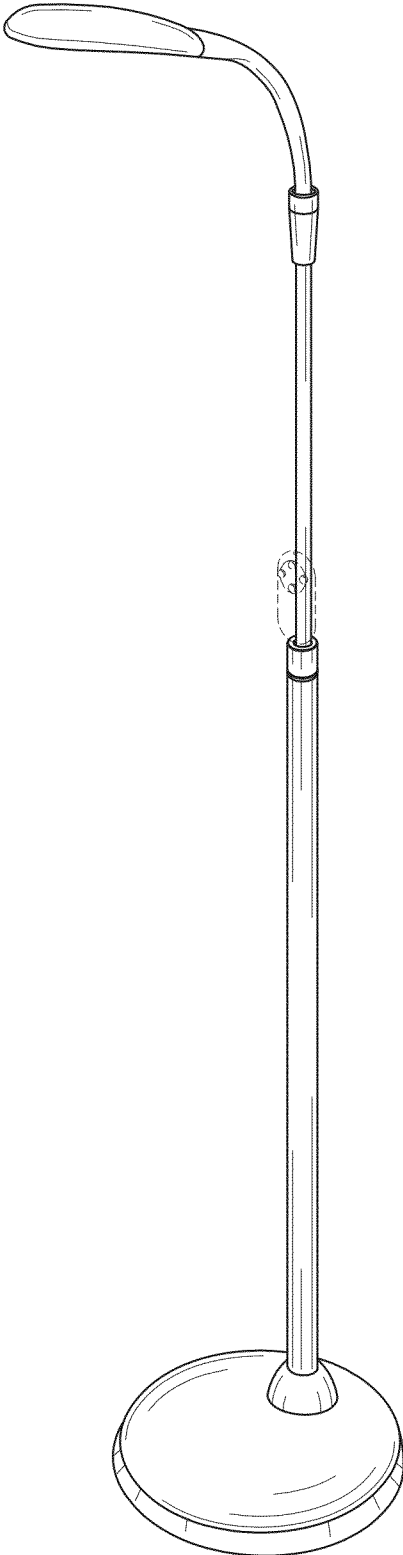


FIG. 8

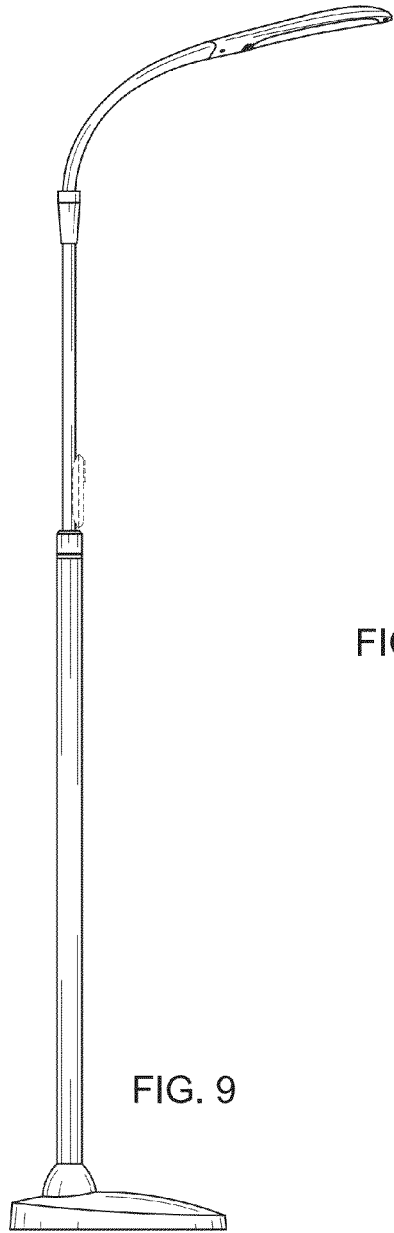


FIG. 10

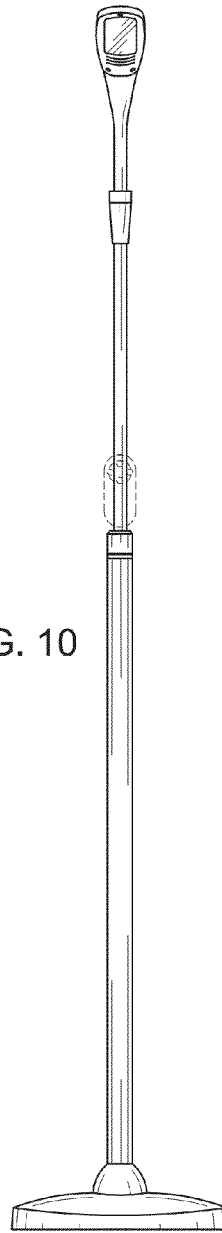
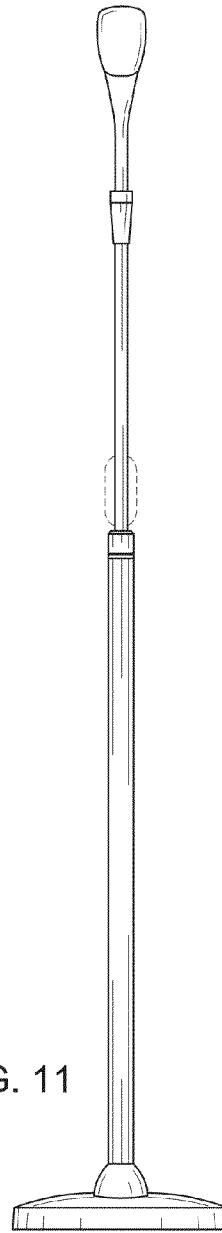
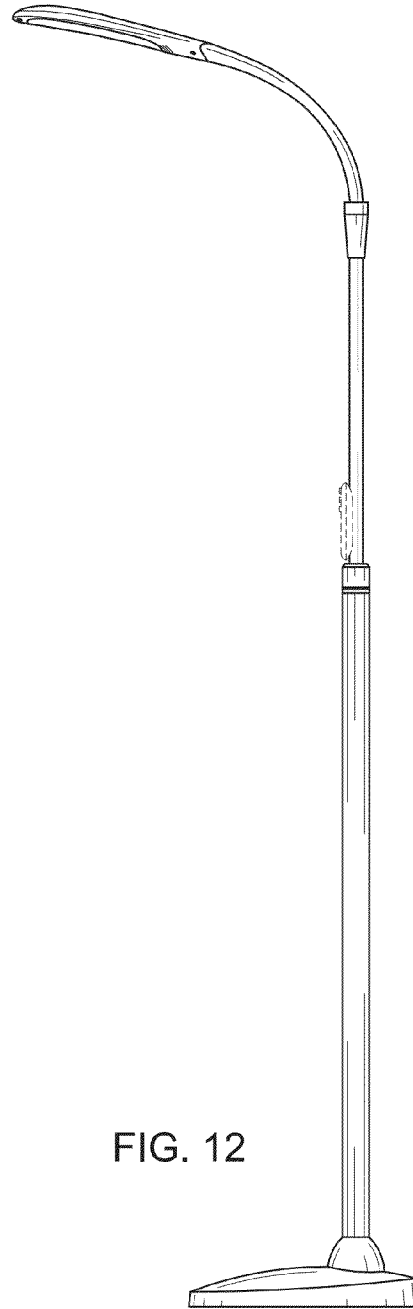
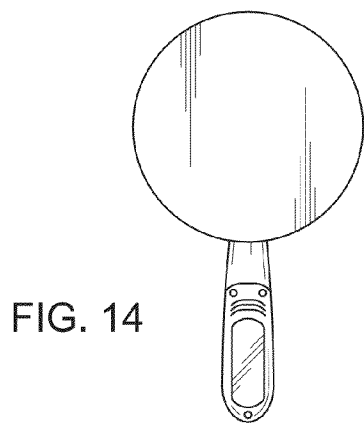
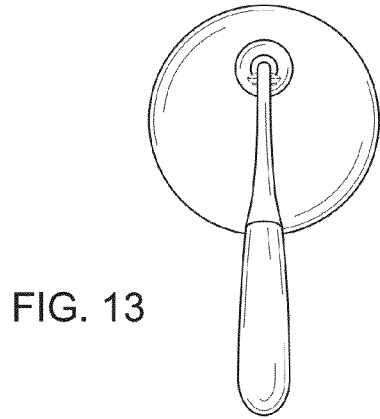


FIG. 11





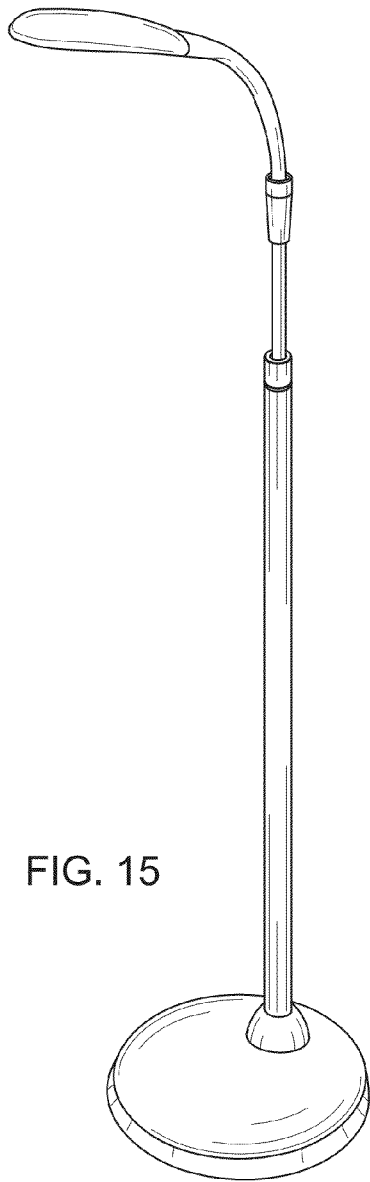


FIG. 15

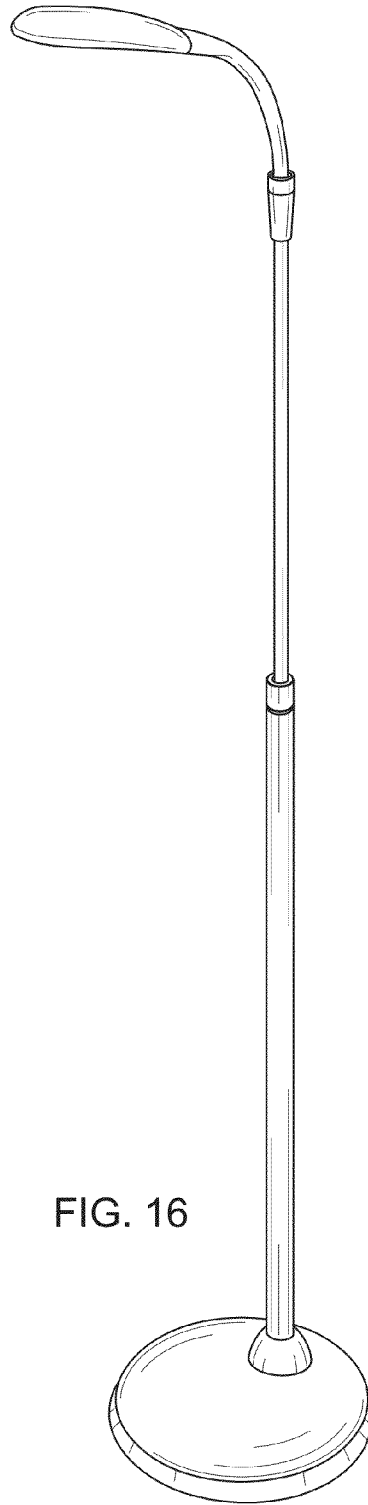


FIG. 16

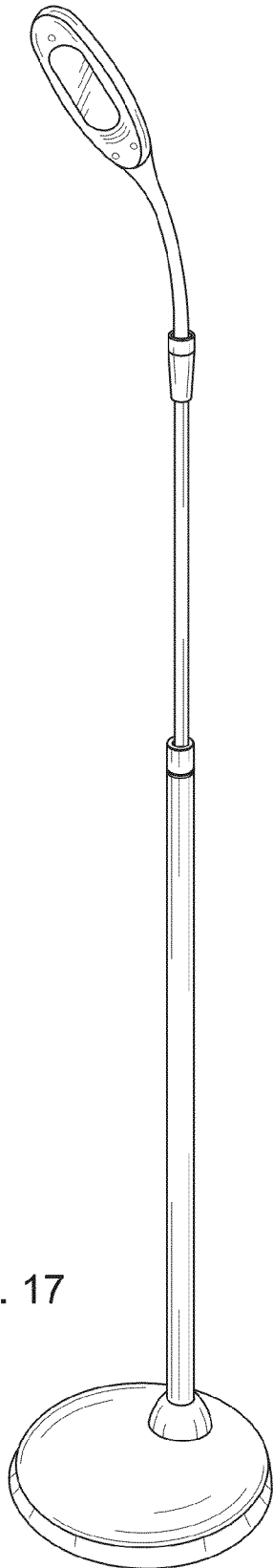


FIG. 17

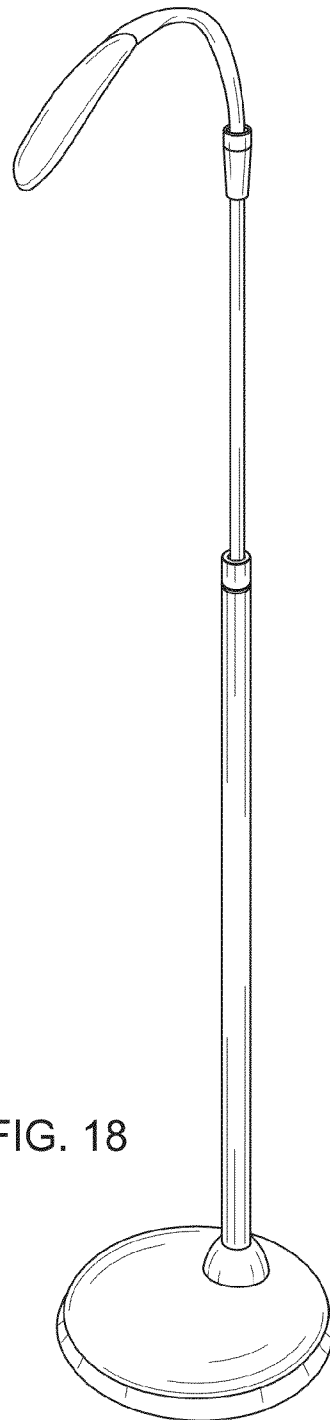


FIG. 18

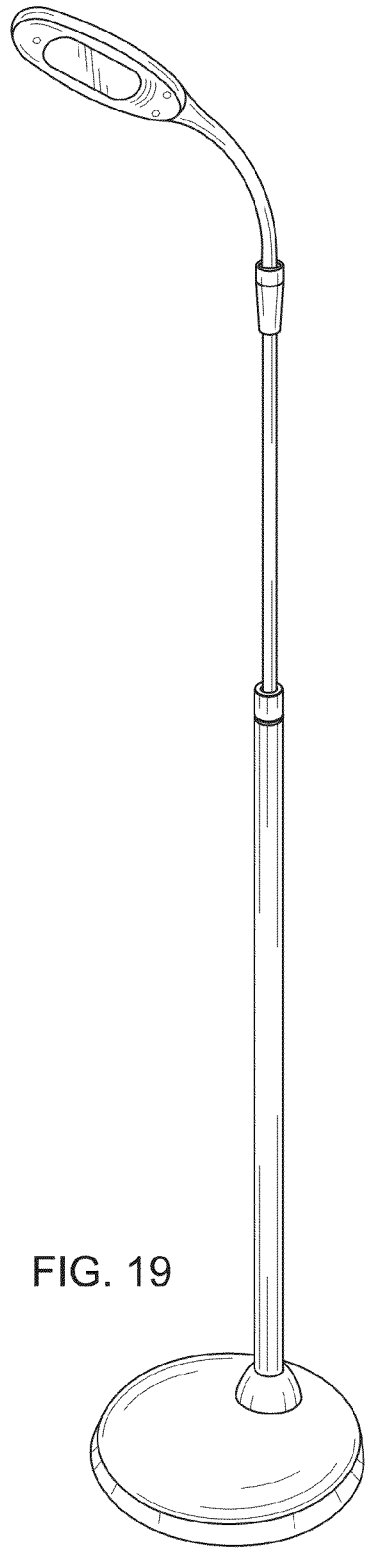


FIG. 19

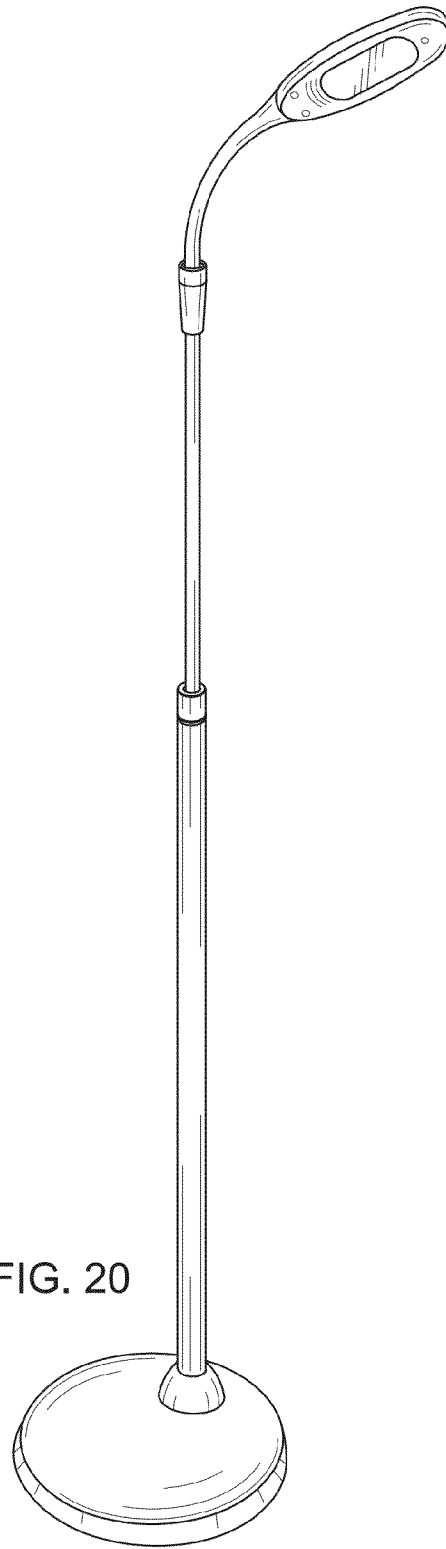


FIG. 20