



US0D1069668S

(12) **United States Design Patent**  
**Evers et al.**

(10) **Patent No.:** **US D1,069,668 S**  
(45) **Date of Patent:** **\*\* \*Apr. 8, 2025**

(54) **VEHICLE BODY PANEL**  
(71) Applicant: **BOMBARDIER RECREATIONAL PRODUCTS INC., Valcourt (CA)**

D1,008,901 S \* 12/2023 Meyer ..... D12/184  
D1,018,401 S \* 3/2024 Evans ..... D12/184  
D1,023,874 S \* 4/2024 McMath ..... D12/184

(72) Inventors: **Erik Evers, Bromont (CA); Richard Eck, Fulford (CA); Frederic Tavan, Sherbrooke (CA); Alexei Mikhailov, Bromont (CA)**

(73) Assignee: **BOMBARDIER RECREATIONAL PRODUCTS INC., Valcourt (CA)**

(\* ) Notice: This patent is subject to a terminal disclaimer.

(\*\*) Term: **15 Years**

(21) Appl. No.: **29/870,589**

(22) Filed: **Jan. 31, 2023**

(51) **LOC (15) Cl.** ..... **12-16**

(52) **U.S. Cl.**  
USPC ..... **D12/196**

(58) **Field of Classification Search**  
USPC ..... D12/114, 164, 173, 181, 184, 186, 196;  
D15/28  
CPC ..... B60R 13/00; B60R 13/08; B62D 25/02;  
B62D 25/16; B62D 25/18  
See application file for complete search history.

(56) **References Cited**

**U.S. PATENT DOCUMENTS**

D907,551 S \* 1/2021 McMath ..... D12/184  
D925,421 S \* 7/2021 Mallicote ..... D12/184  
D926,093 S \* 7/2021 McMath ..... D12/184  
D934,307 S \* 10/2021 Rajopadhye ..... D15/33  
D942,340 S \* 2/2022 Hallgren ..... D12/184  
D955,946 S \* 6/2022 Kirkman ..... D12/184  
D988,952 S \* 6/2023 McMath ..... D12/184  
D988,953 S \* 6/2023 McMath ..... D12/184  
D988,954 S \* 6/2023 McMath ..... D12/184  
D1,005,892 S \* 11/2023 Frahammer ..... B62J 15/00  
D12/186

**OTHER PUBLICATIONS**

2024 Can-Am Outlander. 2024. Can-Am. <https://can-am.brp.com/off-road/us/en/models/all-terrain-vehicles/outlander.html>.  
2020 Can-Am Outlander. 2020. ATV.com. <https://www.atv.com/specs/can-am/utility/2020/outlander-xt/850/detail.html>.  
2024 Can-Am Outlander Adventure ATV. 2024. Can-Am. <https://can-am.brp.com/off-road/us/en/models/all-terrain-vehicles/outlander.html#outlander>.

\* cited by examiner

*Primary Examiner* — Garth Rademaker

*Assistant Examiner* — Suzanne E Tisdell

(74) *Attorney, Agent, or Firm* — BCF LLP

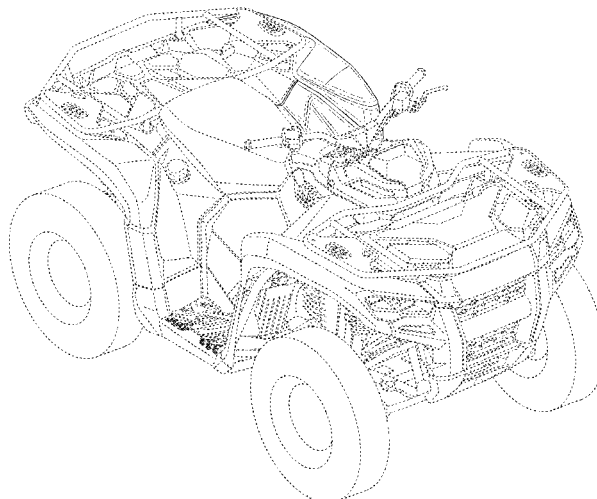
(57) **CLAIM**

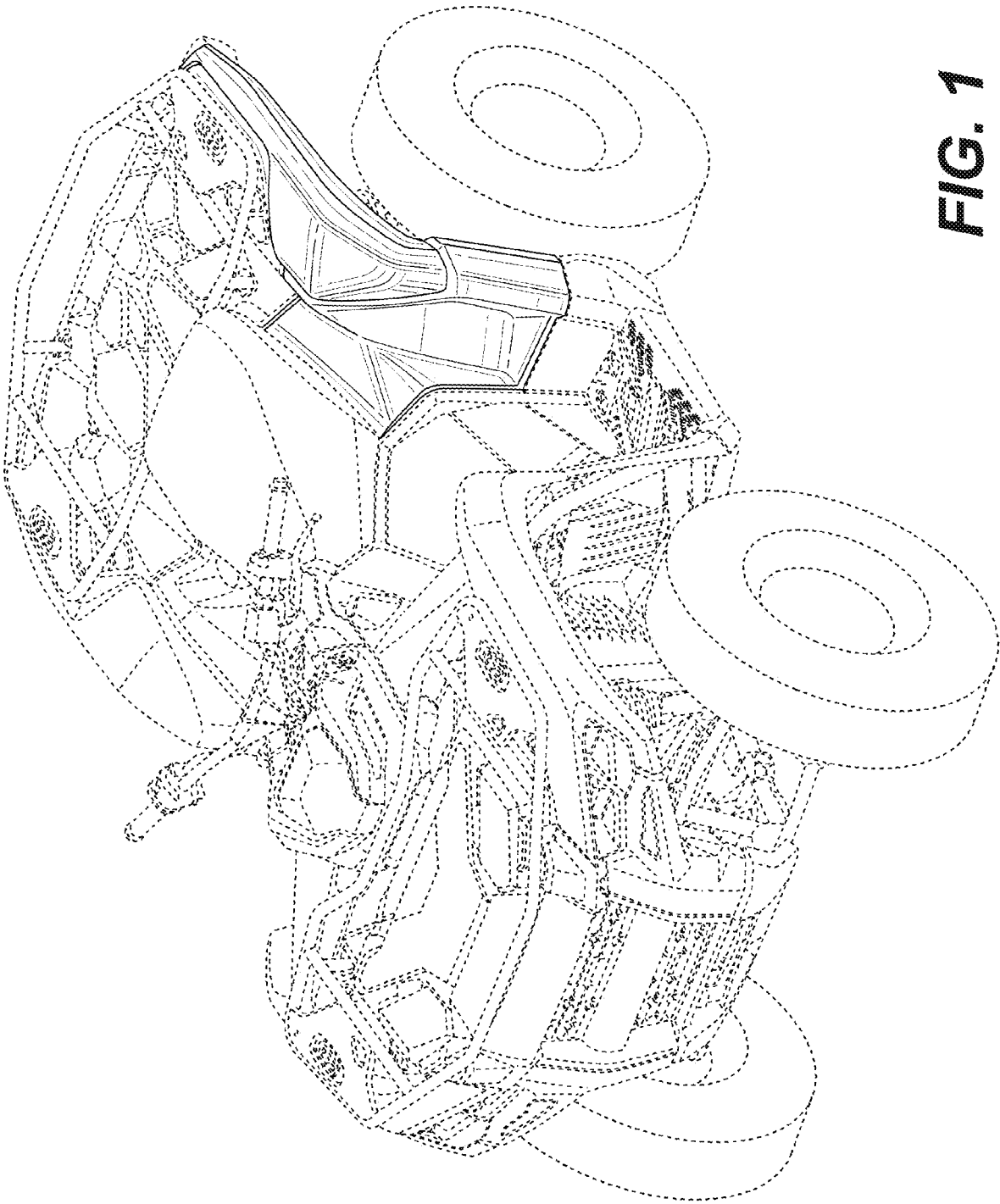
The ornamental design for a vehicle body panel as shown and described.

**DESCRIPTION**

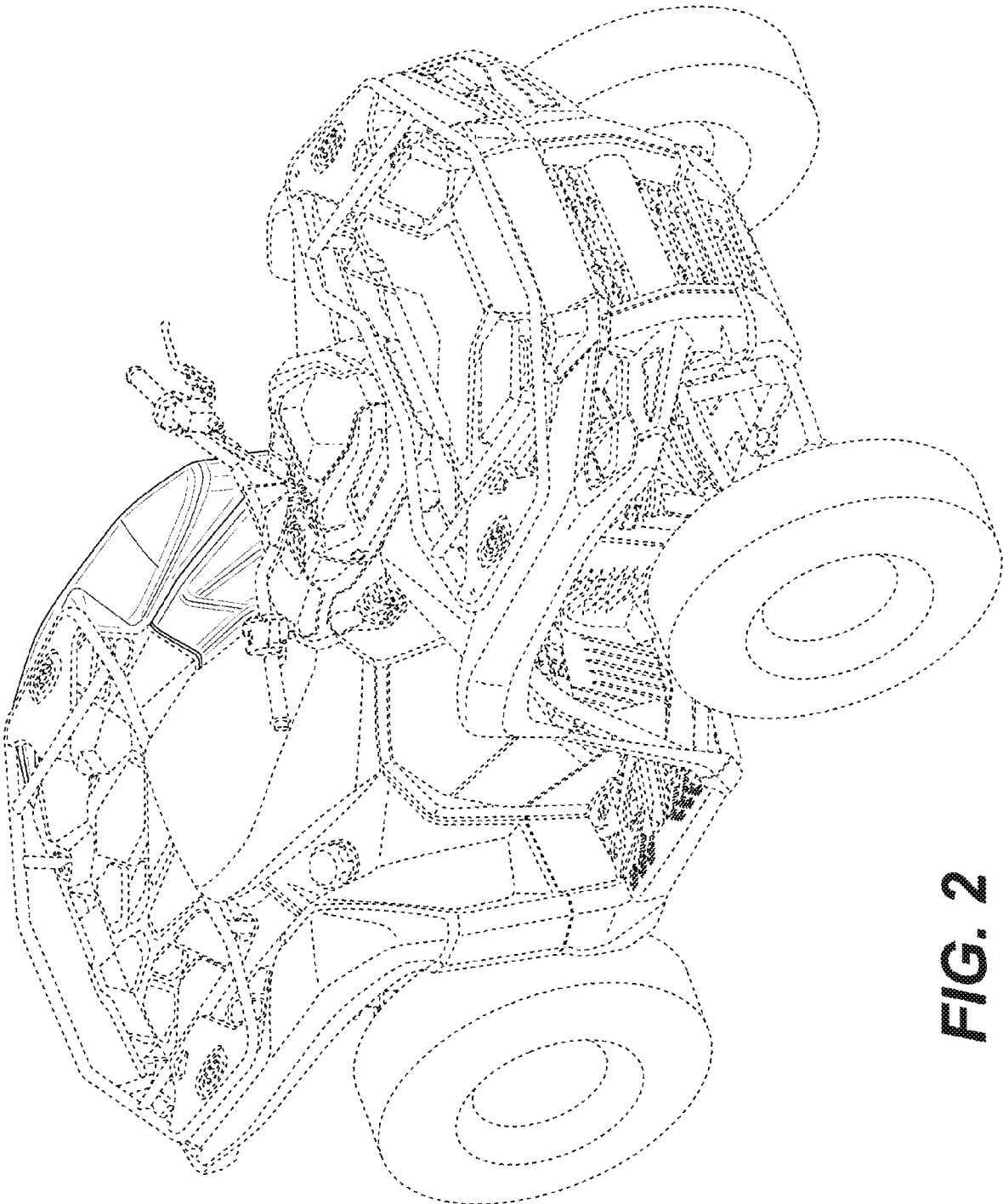
FIG. 1 is a perspective view taken from a front, left side of a vehicle body panel according to our design;  
FIG. 2 is a perspective view taken from a front, right side thereof;  
FIG. 3 is a perspective view taken from a rear, right side thereof;  
FIG. 4 is a perspective view taken from a rear, left side thereof;  
FIG. 5 is a front elevation view thereof;  
FIG. 6 is a rear elevation view thereof;  
FIG. 7 is a right side elevation view thereof;  
FIG. 8 is a left side elevation view thereof;  
FIG. 9 is a top plan view thereof; and,  
FIG. 10 is a bottom plan view thereof.  
Broken lines show environmental subject matter that forms no part of the claimed design.

**1 Claim, 10 Drawing Sheets**

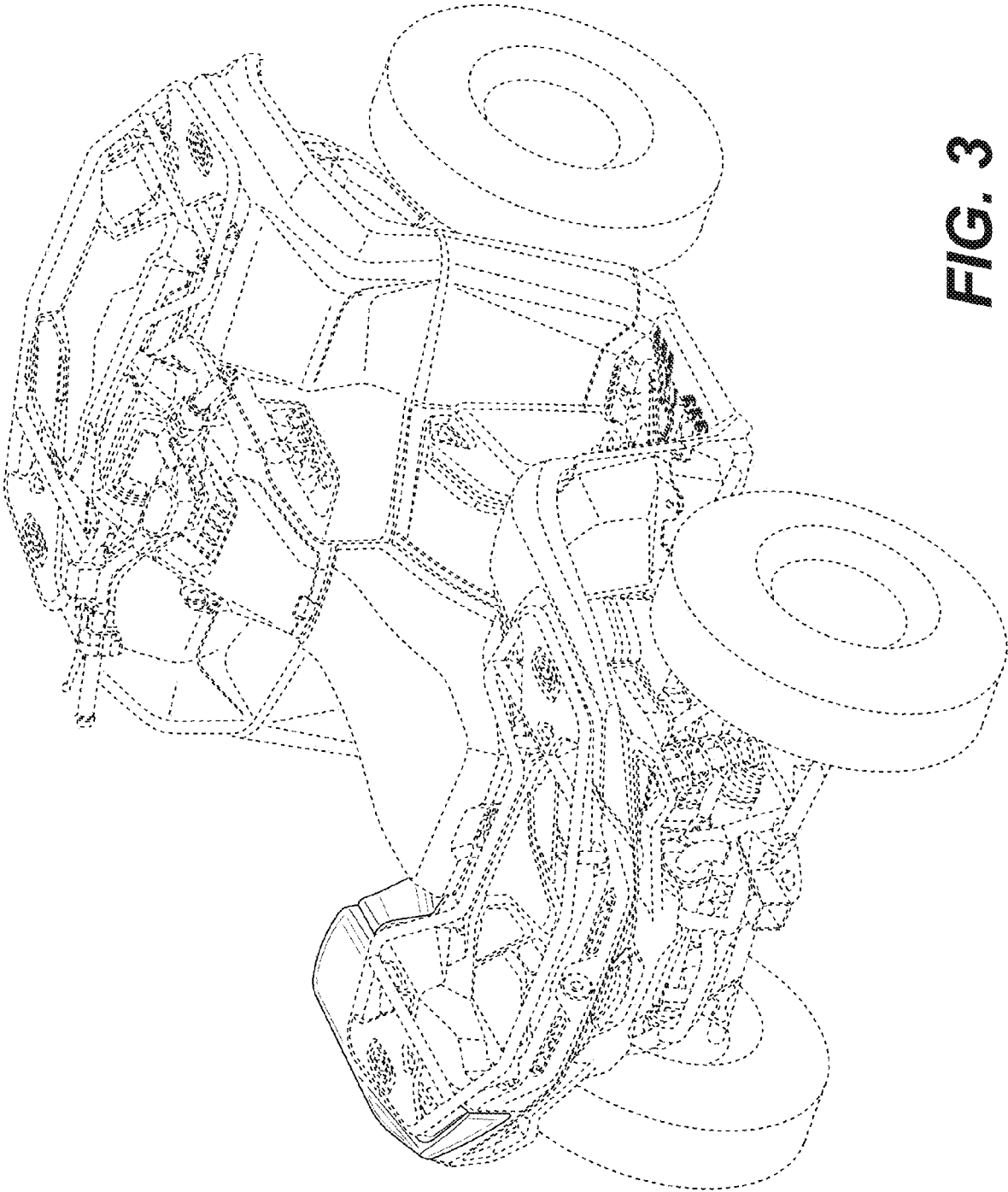




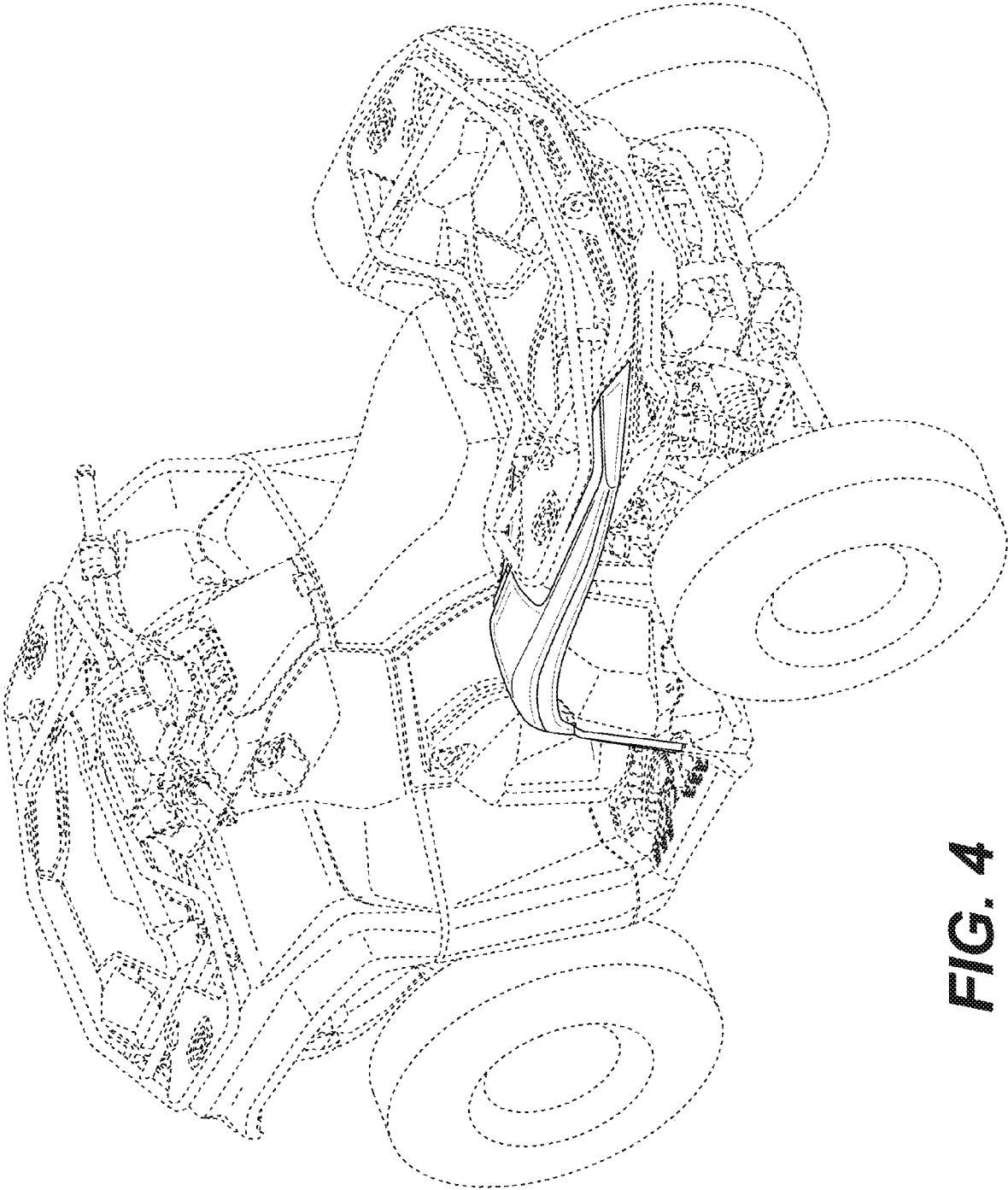
**FIG. 1**



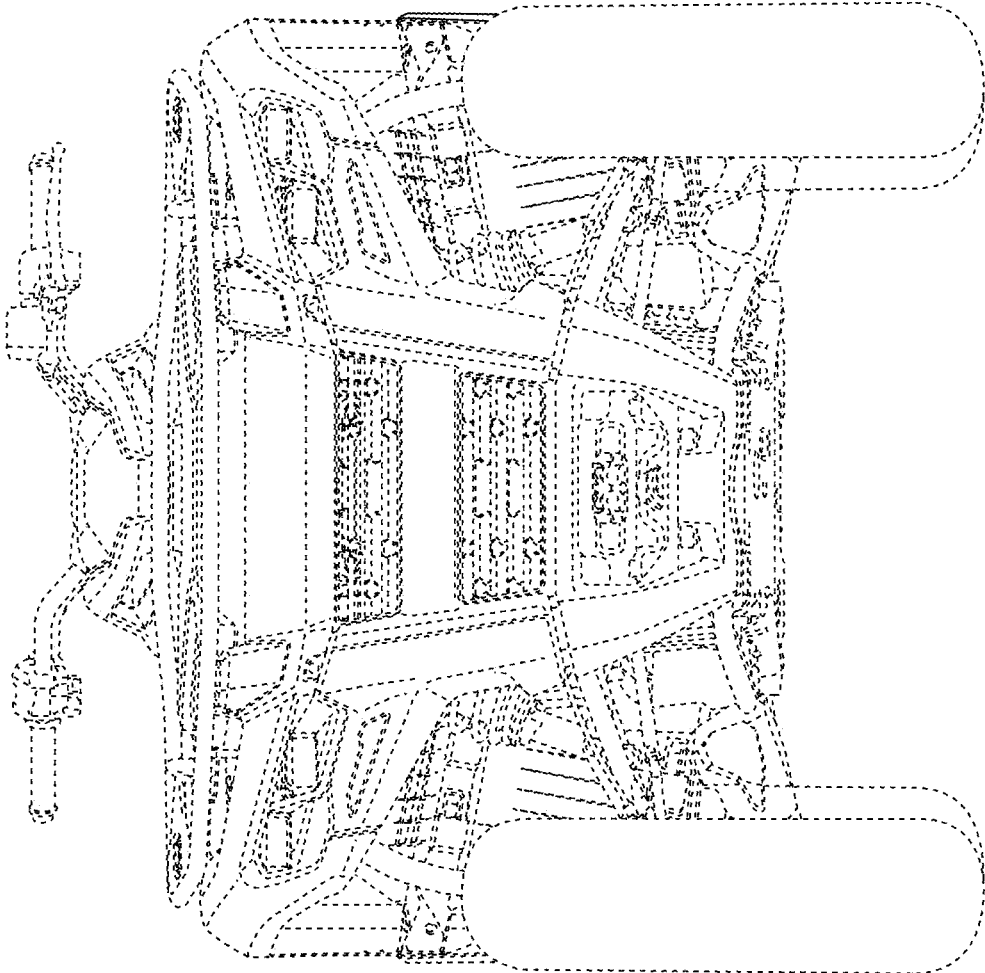
**FIG. 2**



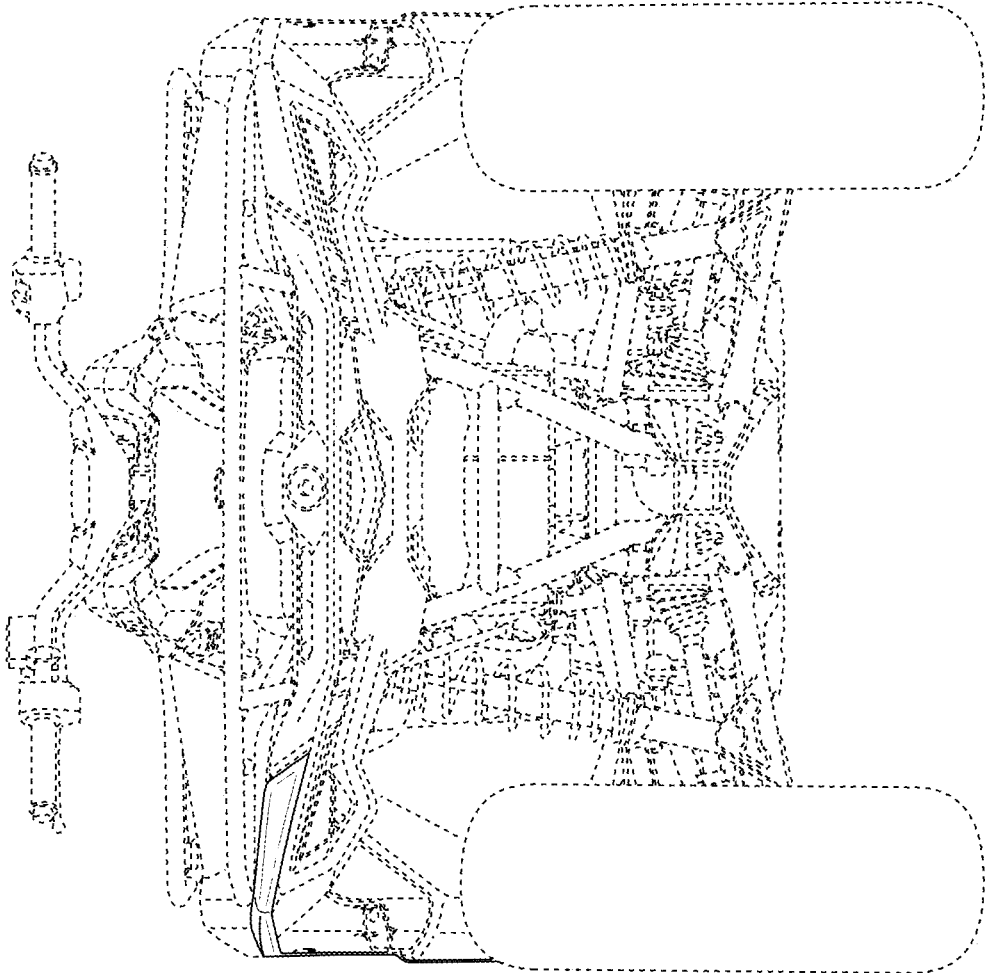
**FIG. 3**



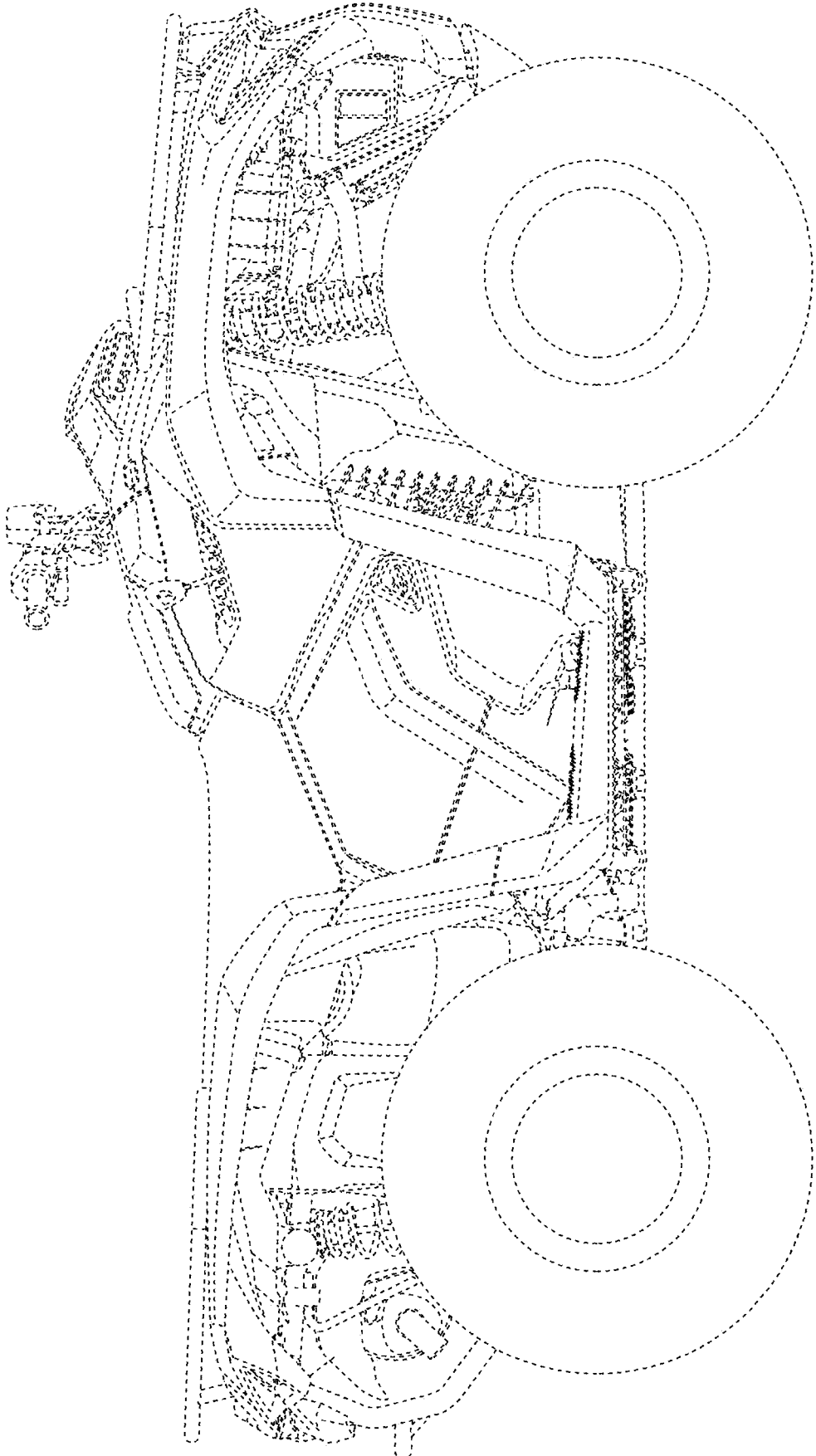
**FIG. 4**



**FIG. 5**

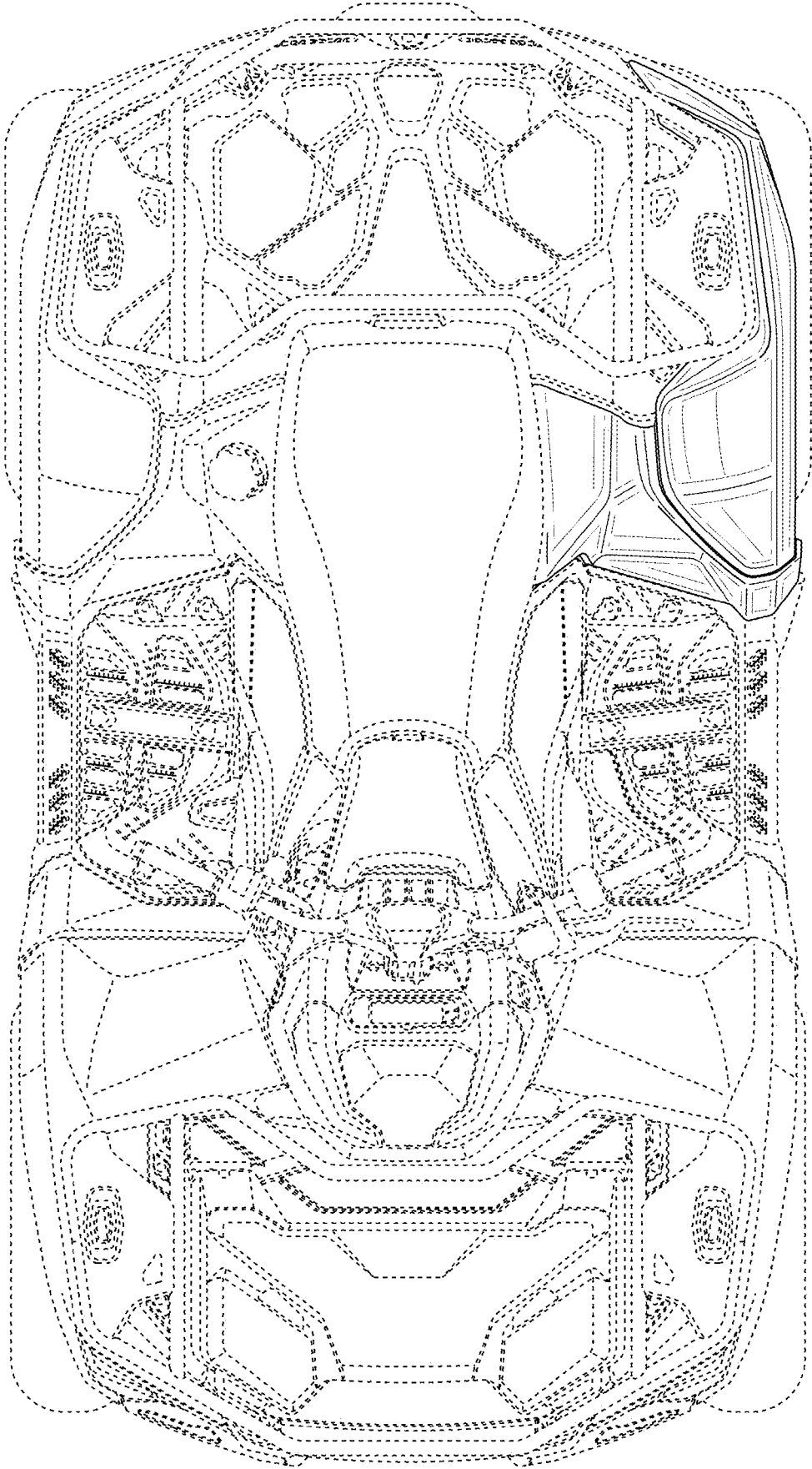


**FIG. 6**

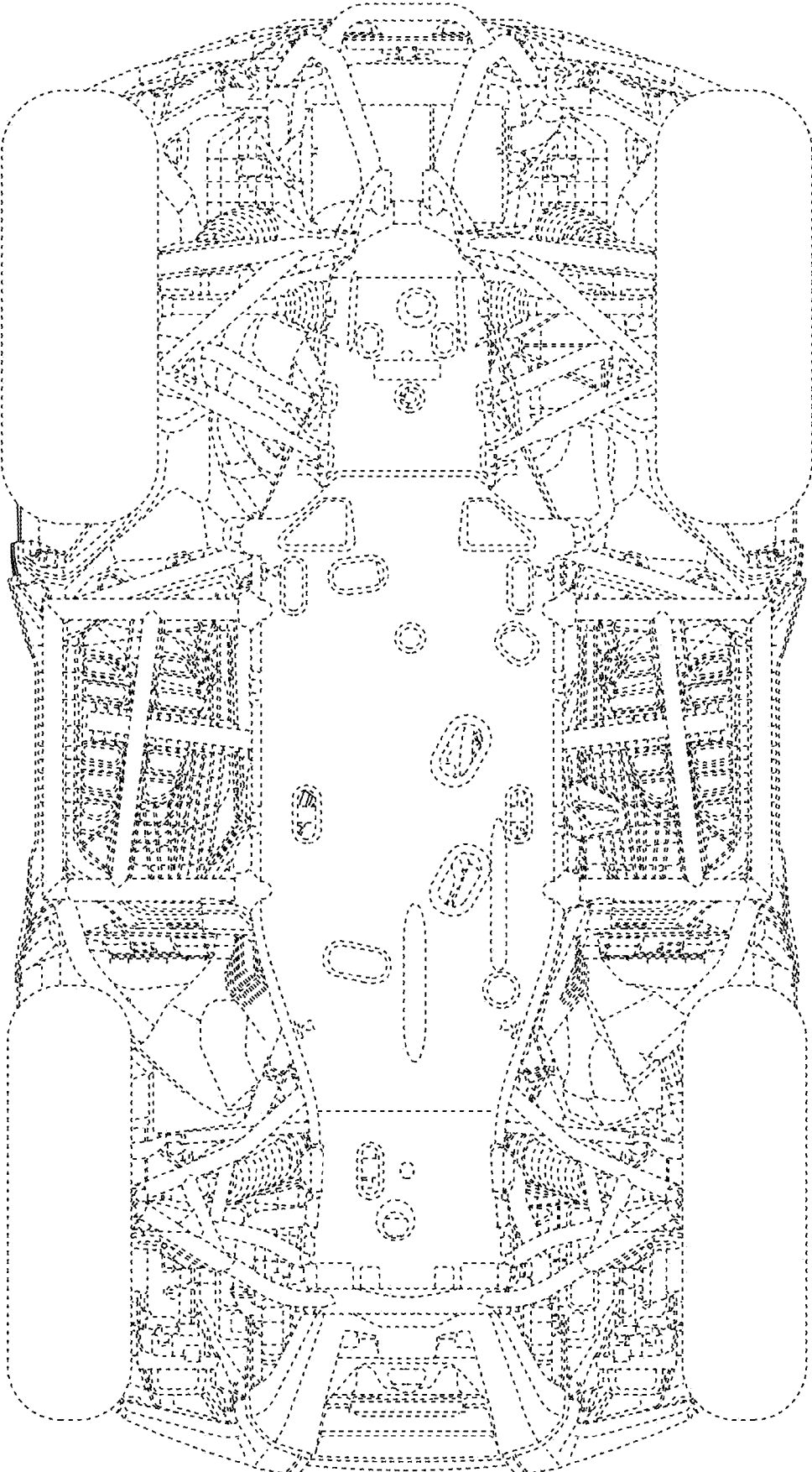


**FIG. 7**





**FIG. 9**



**FIG. 10**