

(19) World Intellectual Property Organization
International Bureau



(43) International Publication Date
14 May 2010 (14.05.2010)

(10) International Publication Number
WO 2010/054275 A3

- (51) International Patent Classification:
A61M 25/01 (2006.01) A61M 25/088 (2006.01)
- (21) International Application Number:
PCT/US2009/063662
- (22) International Filing Date:
7 November 2009 (07.11.2009)
- (25) Filing Language: English
- (26) Publication Language: English
- (30) Priority Data:
12/267,552 7 November 2008 (07.11.2008) US
- (72) Inventor; and
(71) Applicant : HAWKINS, Charles, R. [US/US]; 6485 Ruffle Cove, Bartlett, TN 38134 (US).
- (74) Agent: BALDRIDGE, Julie, R.; 165 Madison Avenue, Suite 2000, Memphis, TN 38103 (US).
- (81) Designated States (unless otherwise indicated, for every kind of national protection available): AE, AG, AL, AM, AO, AT, AU, AZ, BA, BB, BG, BH, BR, BW, BY, BZ, CA, CH, CL, CN, CO, CR, CU, CZ, DE, DK, DM, DO, DZ, EC, EE, EG, ES, FI, GB, GD, GE, GH, GM, GT, HN, HR, HU, ID, IL, IN, IS, JP, KE, KG, KM, KN, KP,

KR, KZ, LA, LC, LK, LR, LS, LT, LU, LY, MA, MD, ME, MG, MK, MN, MW, MX, MY, MZ, NA, NG, NI, NO, NZ, OM, PE, PG, PH, PL, PT, RO, RS, RU, SC, SD, SE, SG, SK, SL, SM, ST, SV, SY, TJ, TM, TN, TR, TT, TZ, UA, UG, US, UZ, VC, VN, ZA, ZM, ZW.

(84) Designated States (unless otherwise indicated, for every kind of regional protection available): ARIPO (BW, GH, GM, KE, LS, MW, MZ, NA, SD, SL, SZ, TZ, UG, ZM, ZW), Eurasian (AM, AZ, BY, KG, KZ, MD, RU, TJ, TM), European (AT, BE, BG, CH, CY, CZ, DE, DK, EE, ES, FI, FR, GB, GR, HR, HU, IE, IS, IT, LT, LU, LV, MC, MK, MT, NL, NO, PL, PT, RO, SE, SI, SK, SM, TR), OAPI (BF, BJ, CF, CG, CI, CM, GA, GN, GQ, GW, ML, MR, NE, SN, TD, TG).

Published:

- with international search report (Art. 21(3))
- before the expiration of the time limit for amending the claims and to be republished in the event of receipt of amendments (Rule 48.2(h))

(88) Date of publication of the international search report:
26 August 2010

(54) Title: AN APPARATUS FOR SEALING, SECURING AND ADJUSTING THE LENGTH OF A FLEXIBLE TUBE

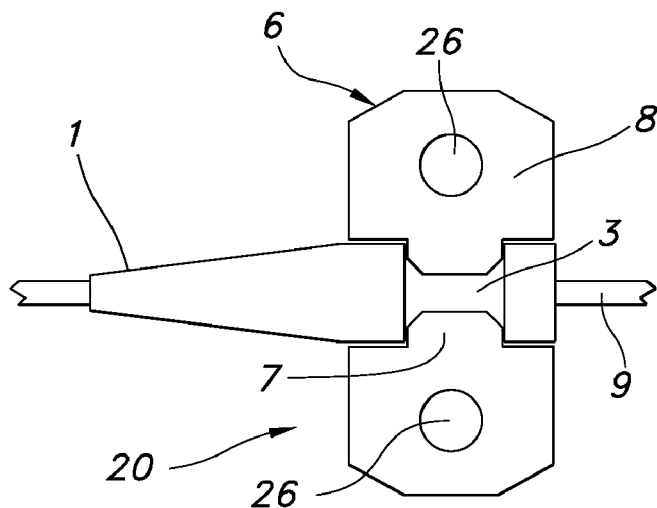


FIG. 3

(57) Abstract: An apparatus for sealing, securing and adjusting the length of a flexible tube is disclosed. The apparatus has a housing and an anchor. The housing has a sealing section, middle section and a opposing end. The housing has an outer surface and an inner lumen. The housing has at least one pair of abutted surfaces which define a slit from said outer surface to said lumen. The anchor has a base and a grip. The grip extends upwardly from the base. The grip is configured to engage the middle section of the housing. A method for using an apparatus for sealing, securing and adjusting the length of a flexible tube is also disclosed.

INTERNATIONAL SEARCH REPORT

International application No.
PCT/US2009/063662**A. CLASSIFICATION OF SUBJECT MATTER***A61M 25/01(2006.01)i, A61M 25/088(2006.01)i*

According to International Patent Classification (IPC) or to both national classification and IPC

B. FIELDS SEARCHED

Minimum documentation searched (classification system followed by classification symbols)

A61M 25/01; A61B 19/00; A61M 1/00; A61M 25/00; A61M 25/02; A61M 5/178

Documentation searched other than minimum documentation to the extent that such documents are included in the fields searched

Korean utility models and applications for utility models
Japanese utility models and applications for utility models
(Chinese Patents and application for patent)

Electronic data base consulted during the international search (name of data base and, where practicable, search terms used)

eKOMPASS(KIPO internal) & Keywords: tube, housing, anchor

C. DOCUMENTS CONSIDERED TO BE RELEVANT

Category*	Citation of document, with indication, where appropriate, of the relevant passages	Relevant to claim No.
A	US 2001-0049497 A1 (ANTHONY NICOLAS KALLOO et al.) 06 December 2001 See claims 1-35, figures 1-17	1-14
A	US 2003-0045862 A1 (JOSEPH B. JACOBS et al.) 06 March 2003 See claims 1-9, figure 1	1-14
A	US 3938529 A1 (GIBBONS; ROBERT P.) 17 February 1976 See claims 1-6, figures 1-2	1-14
A	US 4460356 A1 (MOSELEY; DOUGLAS) 17 July 1984 See claims 1-4, figures 1-8	1-14

 Further documents are listed in the continuation of Box C. See patent family annex.

* Special categories of cited documents:

"A" document defining the general state of the art which is not considered to be of particular relevance

"E" earlier application or patent but published on or after the international filing date

"L" document which may throw doubts on priority claim(s) or which is cited to establish the publication date of citation or other special reason (as specified)

"O" document referring to an oral disclosure, use, exhibition or other means

"P" document published prior to the international filing date but later than the priority date claimed

"T" later document published after the international filing date or priority date and not in conflict with the application but cited to understand the principle or theory underlying the invention

"X" document of particular relevance; the claimed invention cannot be considered novel or cannot be considered to involve an inventive step when the document is taken alone

"Y" document of particular relevance; the claimed invention cannot be considered to involve an inventive step when the document is combined with one or more other such documents, such combination being obvious to a person skilled in the art

"&" document member of the same patent family

Date of the actual completion of the international search

16 JUNE 2010 (16.06.2010)

Date of mailing of the international search report

17 JUNE 2010 (17.06.2010)

Name and mailing address of the ISA/KR

Korean Intellectual Property Office
Government Complex-Daejeon, 139 Seonsa-ro, Seo-
gu, Daejeon 302-701, Republic of Korea

Facsimile No. 82-42-472-7140

Authorized officer

HAN, SANG SOO

Telephone No. 82-42-481-8648



INTERNATIONAL SEARCH REPORT

Information on patent family members

International application No.

PCT/US2009/063662

Patent document cited in search report	Publication date	Patent family member(s)	Publication date
US 2001-0049497 A1	06.12.2001	US 2005-0101837 A1 US 2005-0107664 A1	12.05.2005 19.05.2005
US 2003-0045862 A1	06.03.2003	US 6610047 B2	26.08.2003
US 3938529 A1	17.02.1976	None	
US 4460356 A1	17.07.1984	None	