



US00D655461S

(12) **United States Design Patent**
Ragonetti

(10) **Patent No.:** **US D655,461 S**

(45) **Date of Patent:** **** Mar. 6, 2012**

- (54) **BIRD TOY**
- (75) Inventor: **Peter Ragonetti**, Brooklyn, NY (US)
- (73) Assignee: **J.W. Pet Company, Inc.**, Teterboro, NJ (US)
- (**) Term: **14 Years**
- (21) Appl. No.: **29/378,832**
- (22) Filed: **Nov. 10, 2010**
- (51) **LOC (9) Cl.** **30-02**
- (52) **U.S. Cl.** **D30/119**
- (58) **Field of Classification Search** D30/160,
D30/199, 119; 119/702, 707-711; D21/465,
D21/467, 785-786
See application file for complete search history.

6,378,463	B1	*	4/2002	Simmons	119/707
D478,195	S	*	8/2003	McGinty	D30/160
D553,807	S	*	10/2007	Rutherford	D30/160
D554,298	S	*	10/2007	Woltmann et al.	D30/119
D554,299	S	*	10/2007	Ragonetti et al.	D30/119
D559,475	S	*	1/2008	Bonner	D30/160
D610,656	S	*	2/2010	Terrell	D23/278
D627,934	S	*	11/2010	Willinger et al.	D30/119
D634,081	S	*	3/2011	Rutherford	D30/160
2007/0261644	A1	*	11/2007	Simon	119/707
2009/0050073	A1	*	2/2009	Simon	119/708

* cited by examiner

Primary Examiner — Cathy A MacCormac
(74) *Attorney, Agent, or Firm* — Katten Muchin Rosenman LLP

(57) **CLAIM**
The ornamental designs for a bird toy, as shown and described.

DESCRIPTION

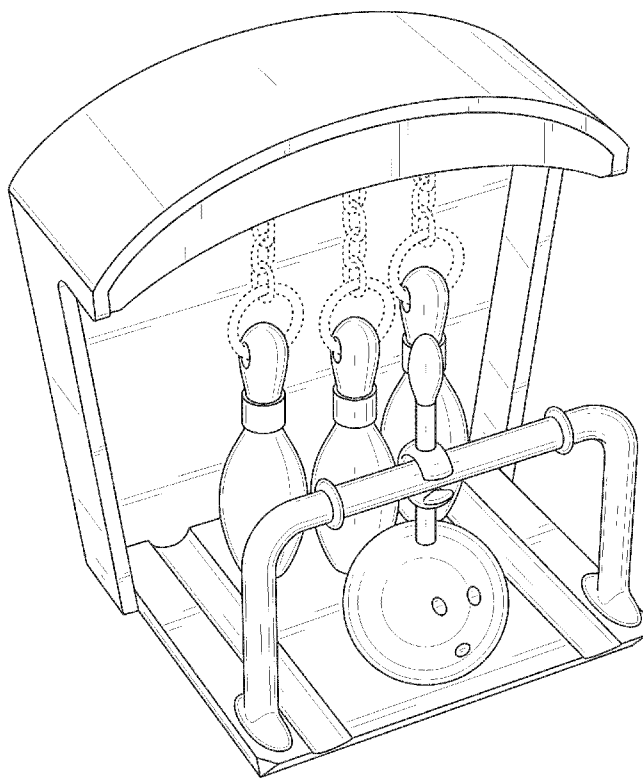
FIG. 1 is a perspective view of the bird toy;
FIG. 2 is a front view thereof;
FIG. 3 is a rear view thereof;
FIG. 4 is a left-side view thereof;
FIG. 5 is a right-side view thereof;
FIG. 6 is a top view thereof; and,
FIG. 7 is a bottom view thereof.
The portions of the designs that are shown in broken lines do not form part of the claimed design.

1 Claim, 7 Drawing Sheets

(56) **References Cited**

U.S. PATENT DOCUMENTS

D153,272	S	*	4/1949	Forner	D30/119
D233,770	S	*	11/1974	Clark et al.	D30/160
3,876,080	A	*	4/1975	Hultberg et al.	211/105.5
4,188,745	A	*	2/1980	Harvey et al.	446/227
4,627,588	A	*	12/1986	Block	248/163.2
D337,393	S	*	7/1993	Weldy	D30/119
D391,307	S	*	2/1998	Kuo	D21/465
5,901,667	A	*	5/1999	Kallas	119/712
D423,738	S	*	4/2000	Carlson	D30/160
6,117,054	A	*	9/2000	Soltanpour	482/83



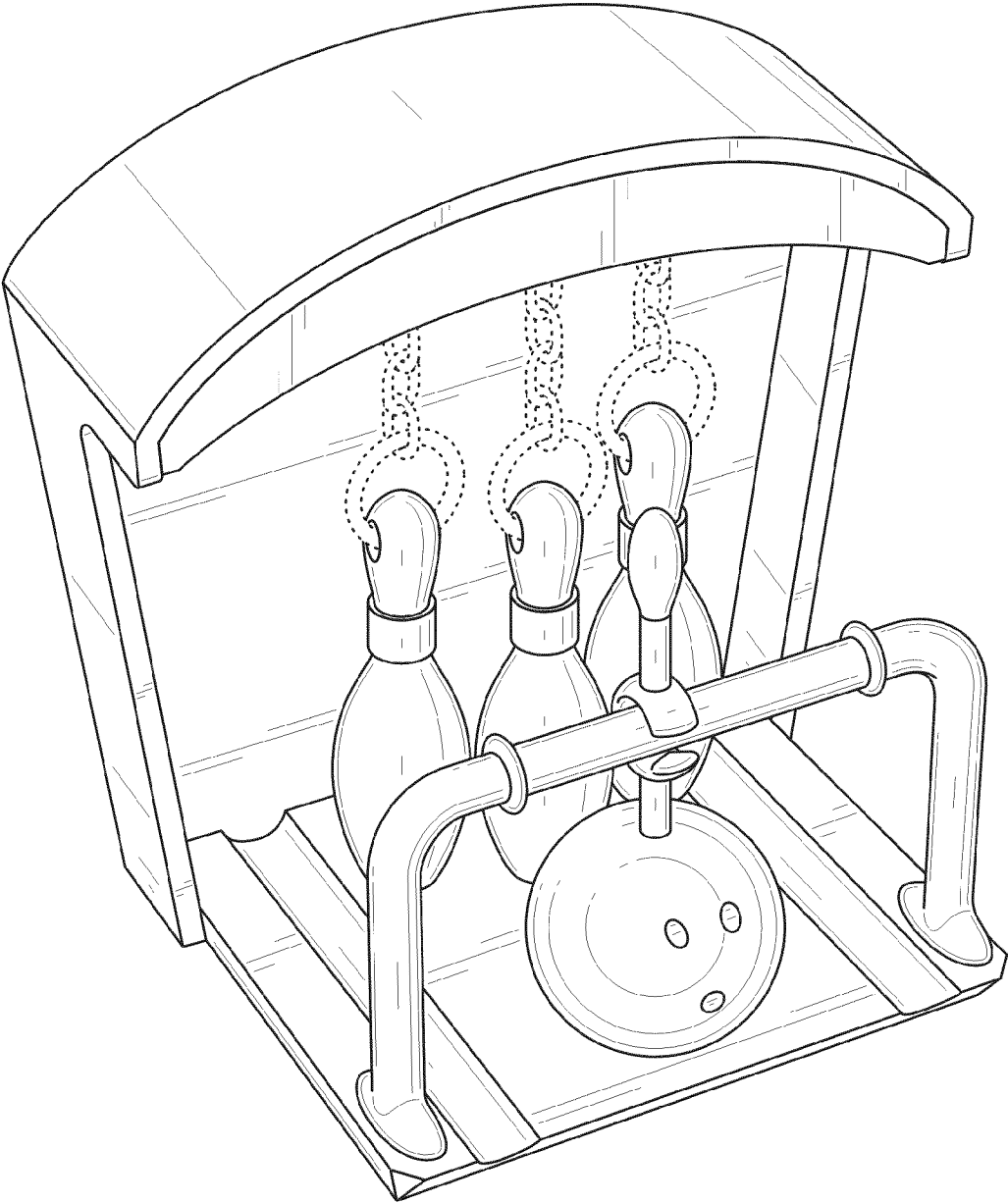


FIG. 1

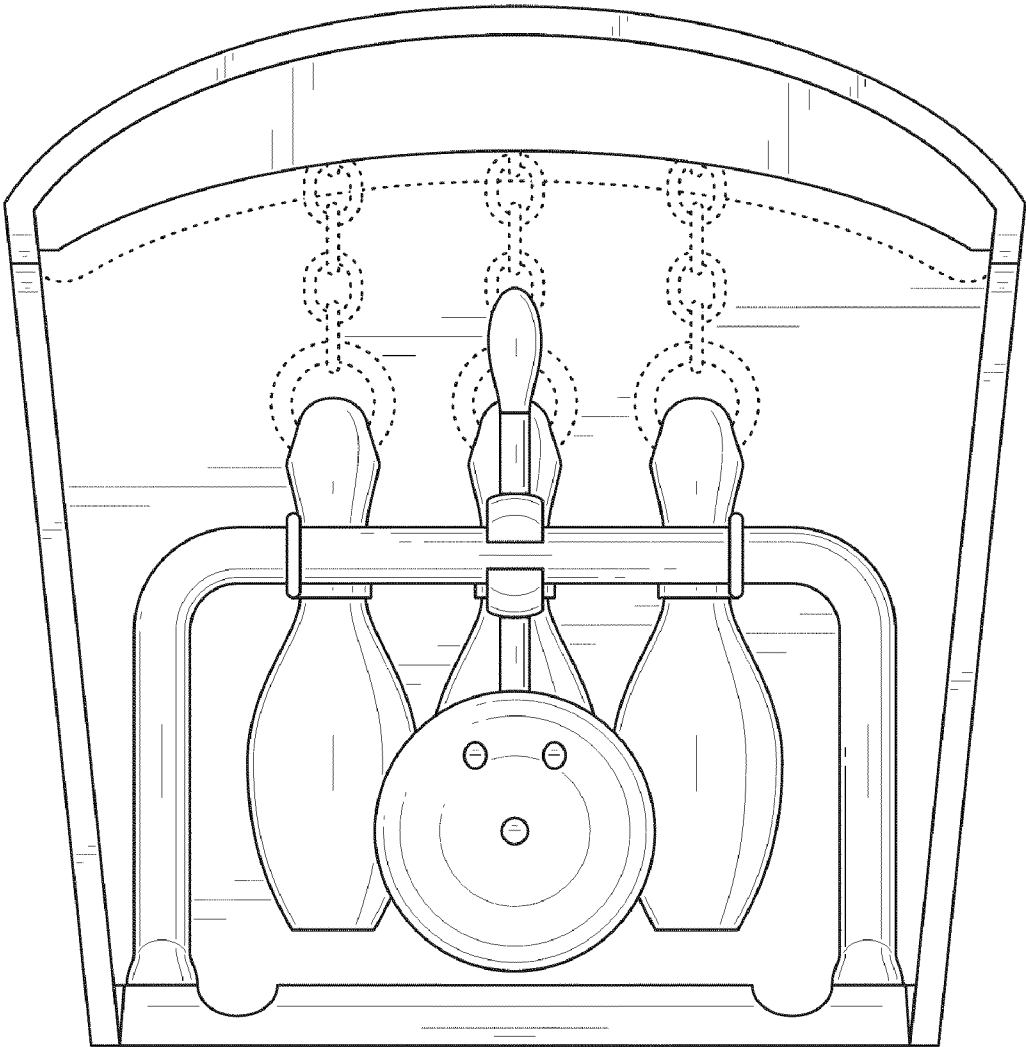


FIG. 2

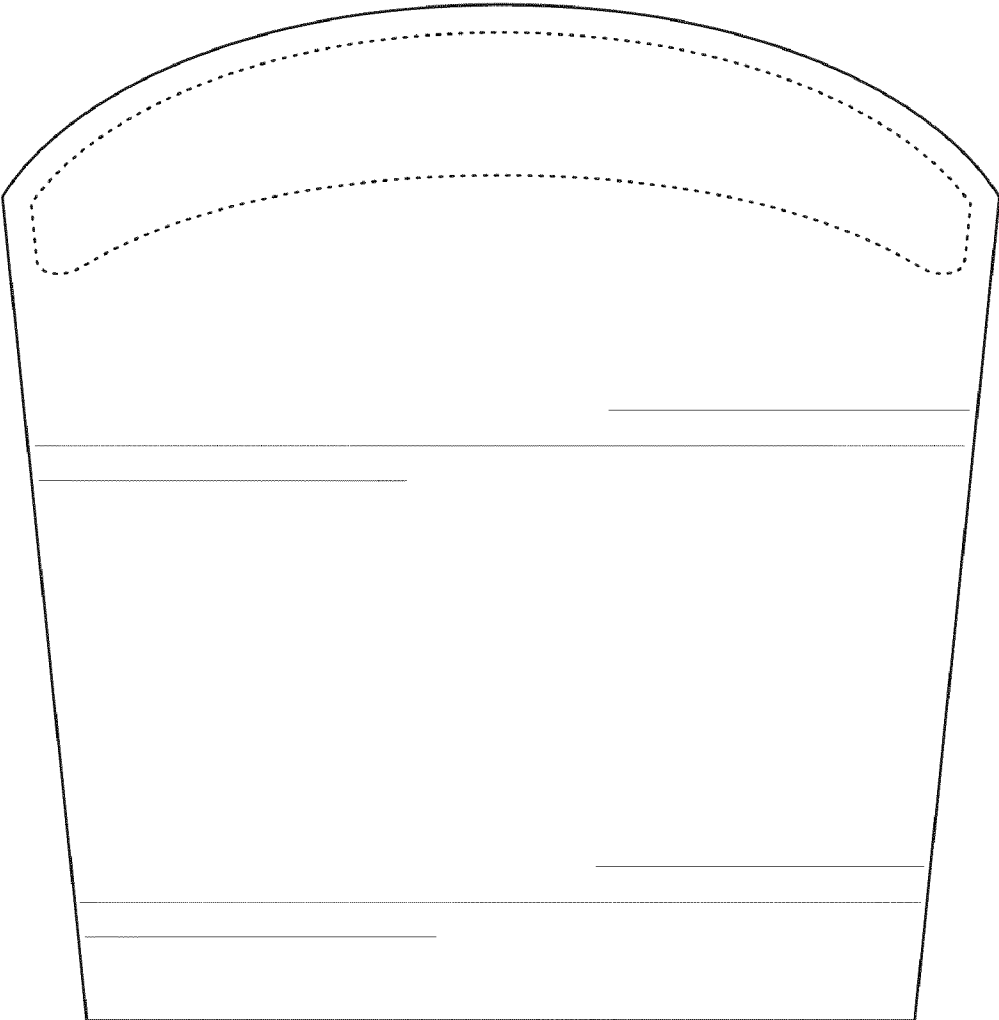


FIG. 3

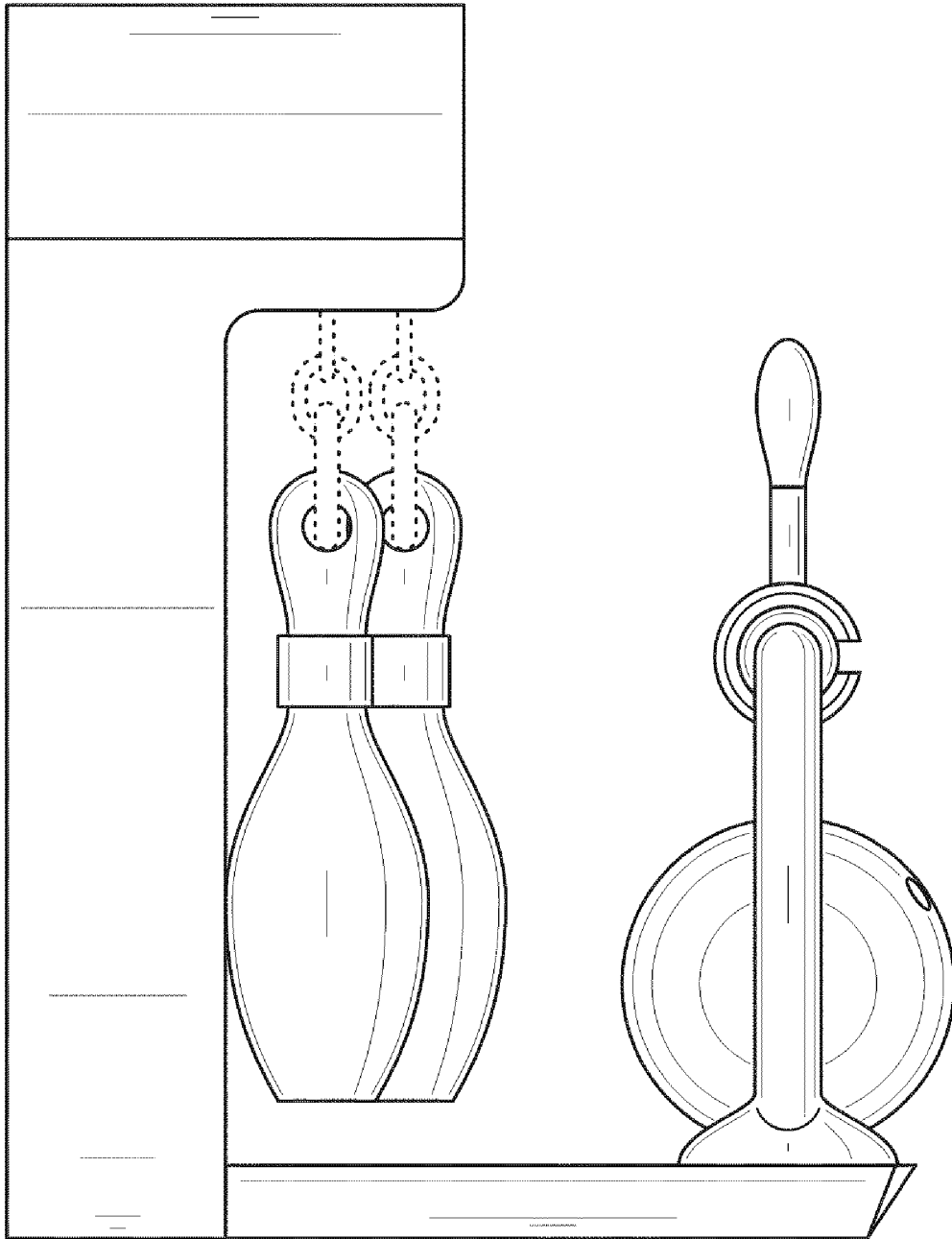


FIG. 4

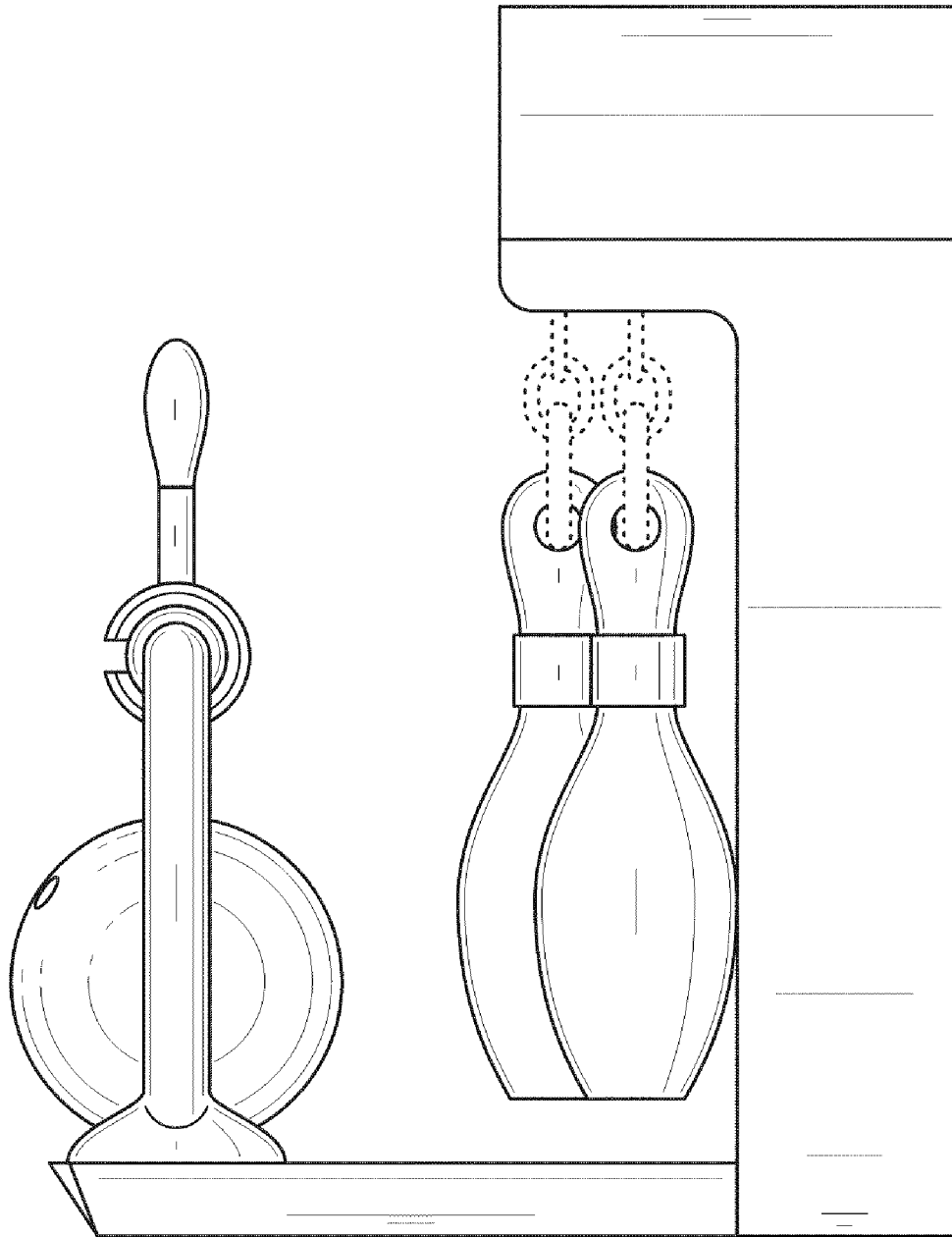


FIG. 5

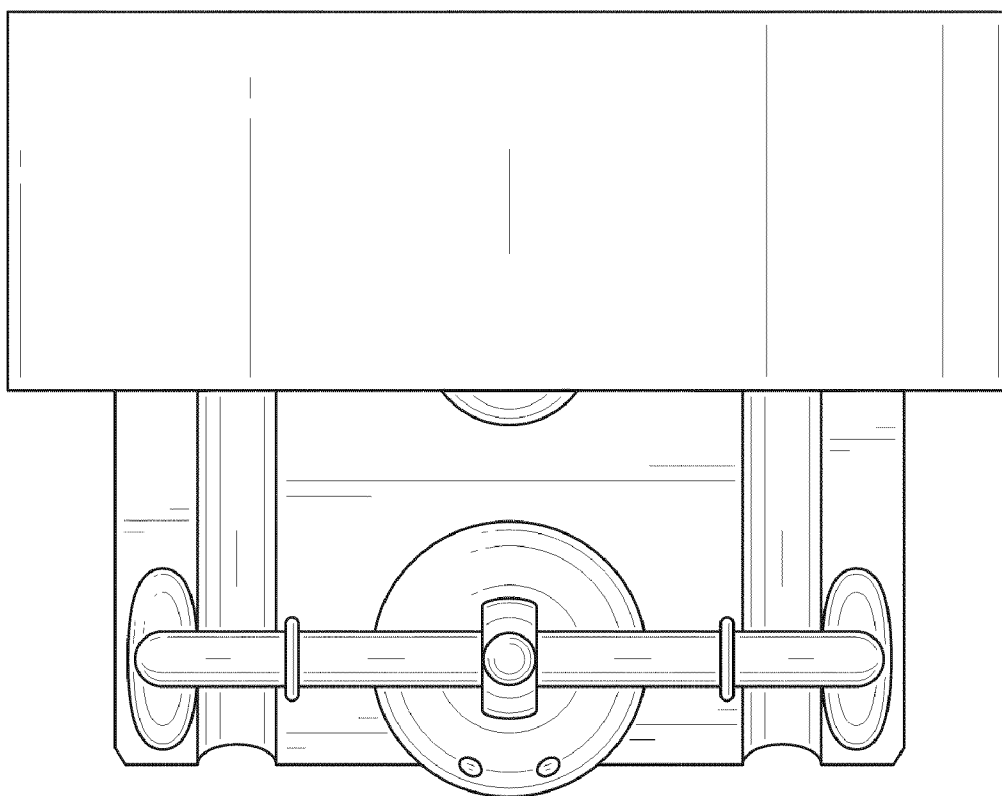


FIG. 6

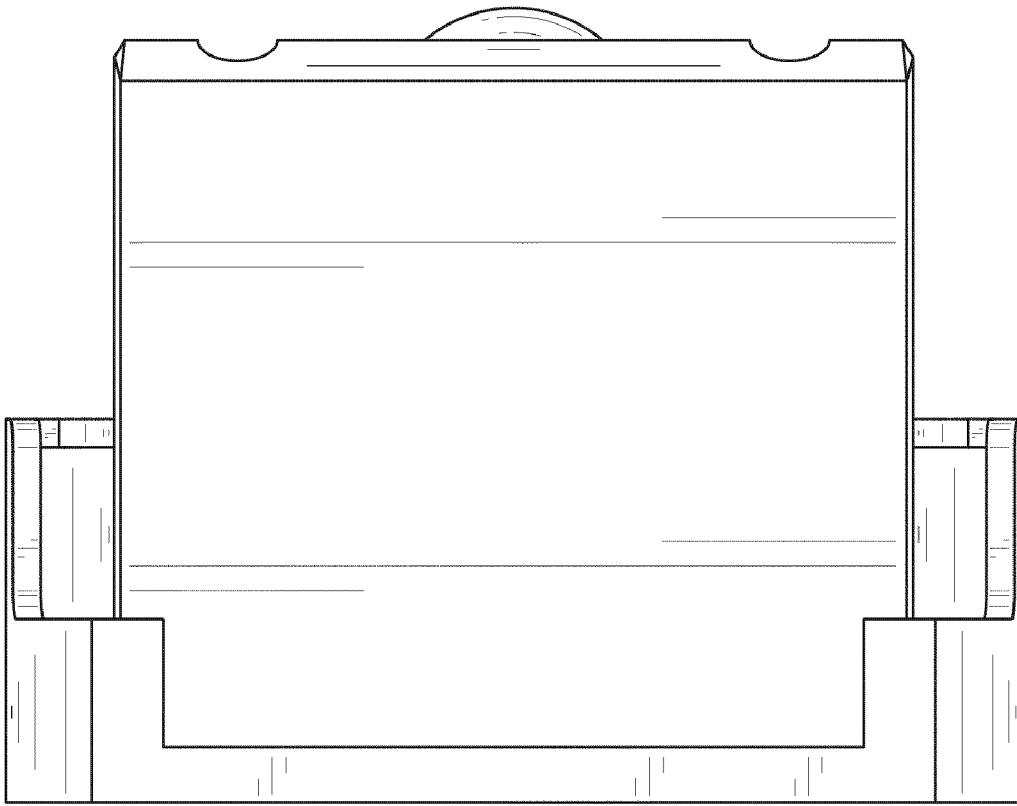


FIG. 7