



(72) VERGARA, MIGUEL ANGEL GUILLO, ES

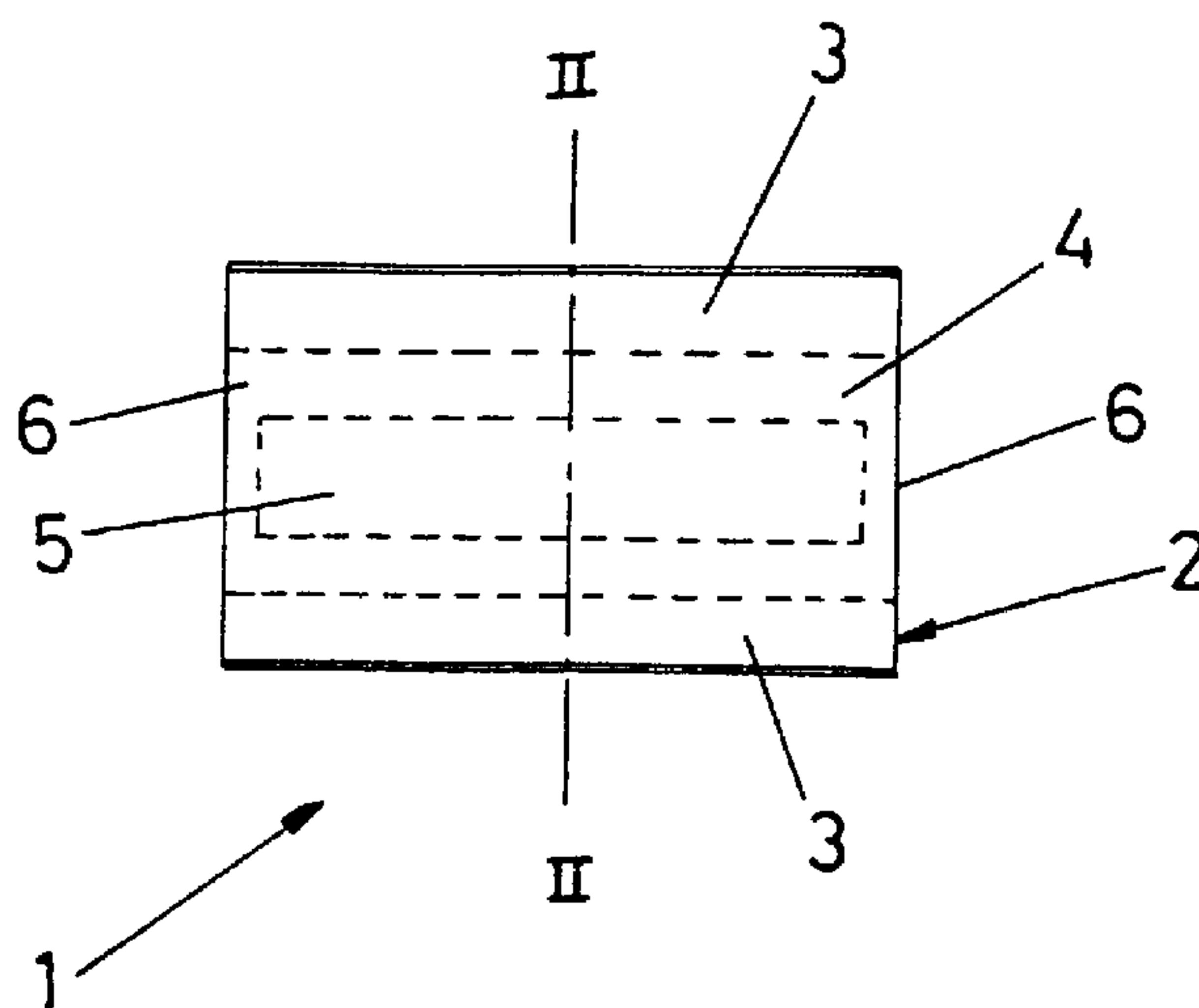
(71) VERGARA, MIGUEL ANGEL GUILLO, ES

(51) Int.Cl.⁷ G09F 3/02

(30) 1999/04/20 (9901001) ES

(54) **ETIQUETTE TISSEE EN ETOFFE TUBULAIRE CONTENANT
UN DETECTEUR ANTIVOL POUR ARTICLES
VESTIMENTAIRES, CHAUSSANTS ET EN CUIR**

(54) **WOVEN LABEL OF TUBULAR CLOTH CONTAINING AN
ANTI-THEFT DETECTOR USED IN CLOTHING, FOOTWEAR
AND LEATHER GOODS**



(57) Woven label of tubular cloth that contains an anti-theft detector, used in garments, footwear and leather goods. The label is of regular or irregular shape and is formed by two portions of cloth, preferably rectangular in shape, where these two portions are equal in size, superimposed and joined by the areas of the longitudinal ends, to form parallel facing strips. The strips form an internal space appears in which is placed the anti-theft detection element. The open ends of the label are closed by heat- sealing, while the label is attached to the garment, footwear and leather goods by sewing, adhesive or heat-gluing.

Woven label of tubular cloth that contains an anti-theft detector, used in garments, footwear and leather goods. The label is of regular or irregular shape and is formed by two portions of cloth, preferably rectangular in shape, where these two portions are equal in size, superimposed and joined by the areas of the longitudinal ends, to form parallel facing strips. The strips form an internal space appears in which is placed the anti-theft detection element. The open ends of the label are closed by heat-sealing, while the label is attached to the garment, footwear and leather goods by sewing, adhesive or heat-gluing.

**WOVEN LABEL OF TUBULAR CLOTH CONTAINING AN ANTI-
THEFT DETECTOR USED IN CLOTHING, FOOTWEAR AND
LEATHER GOODS.**

5

OBJECT OF THE INVENTION

The present Utility Model refers to a woven label of tubular cloth containing an anti-theft detector.

10

This label can be applied to any article sold in a commercial establishment, and is used particularly in clothing, table and bed linen, footwear, leather goods and travel goods.

15

BACKGROUND TO THE INVENTION

There currently exist anti-theft devices which are removably attached, for example to clothing.

20

These devices have disadvantages both structural, in the difficulty in placing and removing them, and because they are not aesthetically pleasing, which does not favour the image of the garment to which they are attached.

25

Another disadvantage of these devices is that an appropriate tool must be used when handling them.

DESCRIPTION OF THE INVENTION

30

The label of the invention is simple to attach to the garment or footwear and also due to its small size it can be placed on a part of the garment where it is not necessarily visible.

In any event, it is an extremely aesthetic and decorative label and is attached in the factory, which does not occur with the above mentioned devices that are attached in the shop.

5 According to the invention, the label is woven of tubular cloth and contains the detector that is enclosed in the tube by its ends.

The label is personalised and is easily sewn to the garment or footwear.

10 The body of the label is formed by two pieces of cloth in the shape of a rectangular band, or of any other regular or irregular shape, which are joined together to form two parallel longitudinal strips that form a free space in which the detector is placed, and the open ends of the body of the label are heat-sealed.

15 The label itself is attached to the garment or footwear by: sewing, adhesive or hot gluing.

Once the user buys the garment or footwear carrying the label of the invention, it is passed through a deactivator that cancels the action by the detector.

20

BRIEF DESCRIPTION OF THE DRAWINGS

Figure 1 shows a front view of the label of the invention.

25 Figure 2 shows a sectional view along the line II-II in Figure 1.

DESCRIPTION OF A PRACTICAL EXAMPLE OF THE CARRYING OUT OF THE INVENTION

30 The label 1, as indicated above, is woven of tubular cloth.

The label 1 is formed by two portions of cloth of rectangular shape 2 the same and also superimposed.

These two portions are joined at the longitudinal ends to form parallel and facing strips 3.

5 These strips 3 form an interior space 4 in which the anti-theft detection element 5 is placed.

The label thus formed is sewn, glued, or hot glued to the garment or footwear, not shown here.

10 Having sufficiently described the nature of the invention and also the manner of putting it into practice, it must be stated that the above forms indicated and represented in the attached drawings may be modified in detail, provided the fundamental principle is not altered.

15

20

25

CLAIMS

1. Woven label of tubular cloth that contains an anti-theft detector, used in garments, footwear and leather goods; characterised because it is of regular or irregular shape and is formed by two portions of cloth, preferably rectangular in shape, where these two equally sized portions, superimposed and joined by the areas of the longitudinal ends, form parallel facing strips between which an internal space appears in which is placed the anti-theft detection element; the open ends of the label are closed by heat-sealing; while the label is attached to the garment, footwear and leather goods by sewing, adhesive or heat-gluing.

Madrid, 20 April, 1999
THE OFFICIAL AGENT

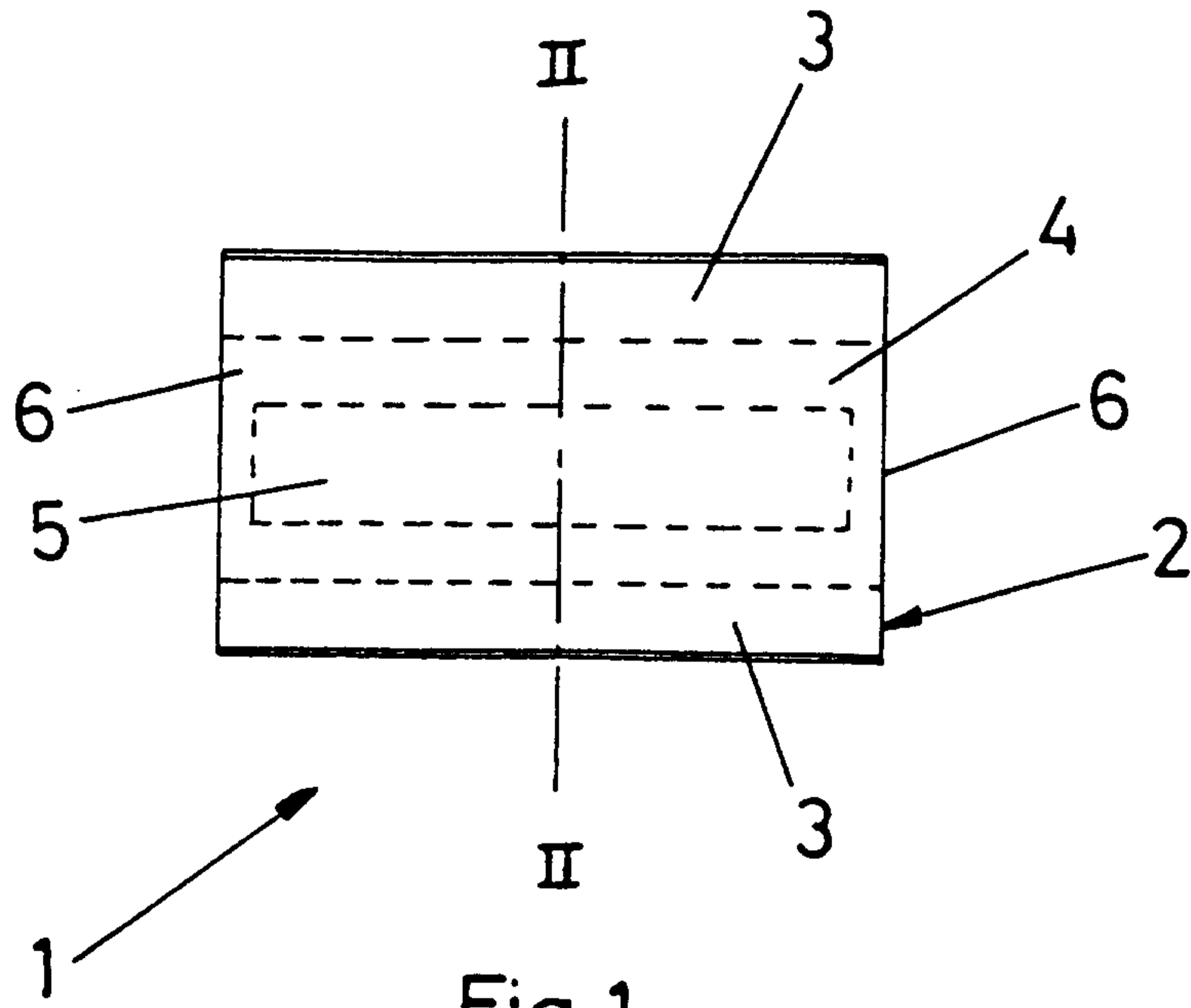


Fig. 1

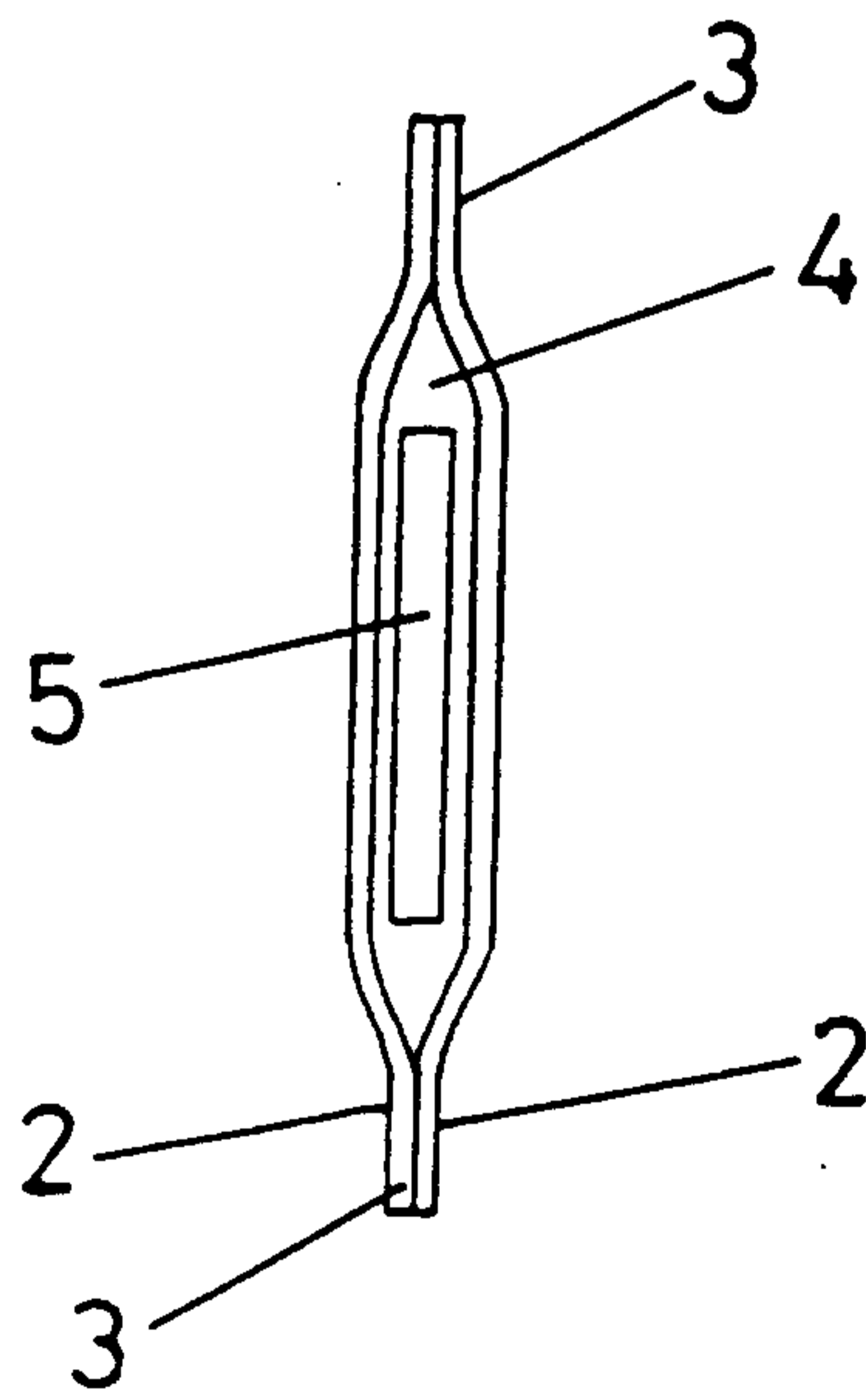


Fig. 2

