

(19) World Intellectual Property Organization
International Bureau



(43) International Publication Date
23 August 2007 (23.08.2007)

PCT

(10) International Publication Number
WO 2007/095307 A1

(51) International Patent Classification:
G03B 35/10 (2006.01) *G03B 35/00* (2006.01)

(74) Agents: EDMAN, Sean J. et al.; 3M Center, Office of Intellectual Property Counsel, P.O. Box 33427, Saint Paul, Minnesota 55133-3427 (US).

(21) International Application Number:
PCT/US2007/003947

(81) Designated States (unless otherwise indicated, for every kind of national protection available): AE, AG, AL, AM, AT, AU, AZ, BA, BB, BG, BR, BW, BY, BZ, CA, CH, CN, CO, CR, CU, CZ, DE, DK, DM, DZ, EC, EE, EG, ES, FI, GB, GD, GE, GH, GM, GT, HN, HR, HU, ID, IL, IN, IS, JP, KE, KG, KM, KN, KP, KR, KZ, LA, LC, LK, LR, LS, LT, LU, LV, LY, MA, MD, MG, MK, MN, MW, MX, MY, MZ, NA, NG, NI, NO, NZ, OM, PG, PH, PL, PT, RO, RS, RU, SC, SD, SE, SG, SK, SL, SM, SV, SY, TJ, TM, TN, TR, TT, TZ, UA, UG, US, UZ, VC, VN, ZA, ZM, ZW.

(22) International Filing Date:
13 February 2007 (13.02.2007)

(25) Filing Language: English

(26) Publication Language: English

(30) Priority Data:
60/773,132 13 February 2006 (13.02.2006) US
11/530,413 8 September 2006 (08.09.2006) US
11/530,420 8 September 2006 (08.09.2006) US
11/530,428 8 September 2006 (08.09.2006) US

(84) Designated States (unless otherwise indicated, for every kind of regional protection available): ARIPO (BW, GH, GM, KE, LS, MW, MZ, NA, SD, SL, SZ, TZ, UG, ZM, ZW), Eurasian (AM, AZ, BY, KG, KZ, MD, RU, TJ, TM), European (AT, BE, BG, CH, CY, CZ, DE, DK, EE, ES, FI, FR, GB, GR, HU, IE, IS, IT, LT, LU, LV, MC, NL, PL, PT, RO, SE, SI, SK, TR), OAPI (BF, BJ, CF, CG, CI, CM, GA, GN, GQ, GW, ML, MR, NE, SN, TD, TG).

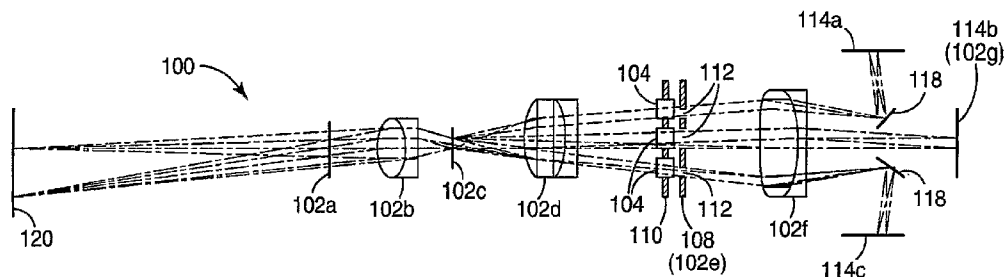
(71) Applicant (for all designated States except US): 3M INNOVATIVE PROPERTIES COMPANY [US/US]; 3M Center, Post Office Box 33427, Saint Paul, Minnesota 55133-3427 (US).

Published:
— with international search report
— before the expiration of the time limit for amending the claims and to be republished in the event of receipt of amendments

(72) Inventors; and
(75) Inventors/Applicants (for US only): ROHALY, Janos Jr. [HU/US]; 3M Center, Post Office Box 33427, Saint Paul, Minnesota 55133-3427 (US). HART, Douglas P. [US/US]; 11 Shipway Place, Charlestown, Massachusetts 02129 (US).

For two-letter codes and other abbreviations, refer to the "Guidance Notes on Codes and Abbreviations" appearing at the beginning of each regular issue of the PCT Gazette.

(54) Title: MONOCULAR THREE-DIMENSIONAL IMAGING



(57) Abstract: A three-dimensional imaging system uses a single primary optical lens along with various configurations of apertures, refocusing facilities, and the like to obtain three offset optical channels each of which can be separately captured with an optical sensor.



WO 2007/095307 A1

MONOCULAR THREE-DIMENSIONAL IMAGING

BACKGROUND

5 [0001] This application claims priority to the following United States patent applications: U.S. App. No. 60/773,132 filed on February 13, 2006; U.S. App. No. 11/530,413 filed on September 8, 2006; U.S. App. No. 11/530,420 filed on September 8, 2006; and U.S. App. No. 11/530,428 filed on September 8, 2006.

1. Field of the Invention

10 [0002] This invention relates to the field of imaging, and more particularly to the field of pupil sampling for multi-view three-dimensional imaging.

2. Description of the Related Art

15 [0003] One approach to capturing three-dimensional depth information is the use of a pair of two-dimensional recording devices whose relative orientation is known. Much like human or animal optical systems, obtaining depth information from stereo optical systems is a triangulation technique that relies on the difference or disparity between the recorded positions of one or more target points on two imaging sensors. For each target feature, the magnitude of the disparity is directly related to that
20 feature's distance from the imaging system. However, in machine vision systems this approach has shortcomings, such as the high cost of multiple camera/lens systems and the high computational cost of processing large target feature disparities between one sensor and another.

25 [0004] A closely related technology to stereo imaging is triplet imaging, where three separate images are used, rather than two. Triplet imaging is generally used to eliminate processing ambiguity and to provide imaging redundancy, thereby improving accuracy and robustness with minimal addition to computational cost. Most triplet imaging systems consist of three cameras placed equidistant from each other in the form of an equilateral triangle. Stereo systems usually take advantage of rectified
30 camera position that results in disparity only in one direction. In this respect other triplet arrangements (such as an "L" configuration) may yield favorable results. Like stereo-based systems, objects appear displaced in each of the images acquired by these

systems, with a displacement between cameras proportional to depth. However, unlike stereo systems, the object is displaced in both the horizontal and vertical directions among the three cameras. Once relative camera positions are known, image rectification can reduce the two-dimensional disparities into one-dimensional disparities. To resolve three-dimensional information, the disparity of object features appearing in the three images is determined through triangulation in much the same way as in stereo-based imaging. The three views define all points and edges (lines) within the imaged space. Using more than two sensors assists with working around the so-called "aperture effect" in imaging system, wherein local image disparity can only be determined perpendicular to the texture features providing the signal. This determination requires non-collinear sensors. Having more sensors also assists with occlusion of target surfaces, where one sensor is blocked, but the others can still provide sufficient information, the benefit of which is greater with non-collinear sensors.

[0005] In triangulation-based three-dimensional imaging systems (including stereo and triplet imaging systems), a need exists to accurately determine the displacement of object features between acquired images. The processing required to determine this displacement (and thereby allow distinct images to be resolved to a common coordinate system) is commonly referred to as image registration. Many types of image registration processing have been developed, including optical flow (based on the gradients of recorded image intensities), correlation (based on the spatial uniqueness of imaged object feature orientation and intensity), and graph cut (based on minimization of a user defined energy function relating image characteristics).

[0006] Thus, a number of mathematical and algorithmic techniques have been developed for resolving optical data into three-dimensional representations of imaged subject matter. However, there remains a need for improved optical trains to acquire data for three-dimensional imaging.

SUMMARY

[0007] A three-dimensional imaging system uses a single primary optical lens along with various configurations of apertures, refocusing facilities, and the like to

obtain three offset optical channels each of which can be separately captured with an optical sensor.

[0008] In one aspect, a camera disclosed herein includes a primary optical facility having an optical path with a center axis; an aperture element including a plurality of apertures for selectively transmitting portions of the optical path to provide a plurality of optical channels; a refocusing facility including a plurality of refocusing lenses, each one of the refocusing lenses at a conjugate position in the optical path to one of the plurality of apertures; and a sampling facility that directs one or more of the plurality of optical channels toward an optical sensor.

[0009] The optical sensor may include a sensor for each one of the plurality of optical channels. The center axis may intersect one of the plurality of apertures. The center axis may intersect one of the refocusing lenses. The sampling facility may include at least one prism. The at least one prism may include a prism having a hole positioned on the center axis, the hole passing a center one of the plurality of optical channels. The sampling facility may include at least one mirror. The at least one mirror may include two mirrors separated by a space that passes a center one of the plurality of optical channels. At least one of the aperture element and the refocusing facility may be adapted to rotate. The aperture element may be adapted to rotate while the refocusing facility remains stationary. The aperture element may include three apertures. The camera may include an image processor that processes data acquired by the optical sensor.

[0010] A three dimensional optical imaging system described herein includes a single primary optical facility in a primary optical path of the imaging system; a splitting facility that samples ray bundles in the primary optical path to provide a plurality of sampled ray bundles; at least one sensor that receives one of the plurality of sampled ray bundles; and an image processing facility that processes an output of the at least one sensor.

[0011] The plurality of sampled ray bundles may include three ray bundles, each one of the three ray bundles providing an optical channel. The at least one sensor may include three sensors, each one of the three sensors acquiring data from one of the plurality of ray bundles.

[0012] In another aspect, a three-dimensional optical imaging system described herein includes a single primary optical facility; a pupil sampling facility at a first pupil of an optical path in the imaging system; and a pupil splitting facility at a second pupil of the optical path.

5 [0013] The pupil sampling facility may include three optical channels. The three optical channels may include at least one center channel sharing an axis with a center axis of the single primary optical facility.

[0014] In another aspect, a three-dimensional optical imaging system described herein includes a primary optical facility; an aperture element that samples a portion of a wavefront of the primary optical facility to provide a sampled wavefront, the aperture element including a plurality of apertures, at least one of the apertures including a bandpass filter; a sensor that receives a portion of the sampled wavefront; and an image processing facility that processes an output of the sensor.

10 [0015] The plurality of apertures may include three apertures. A center axis of the primary optical facility may intersect one of the three apertures.

[0016] A three-dimensional imaging system uses a single primary optical lens along with three collinear apertures to obtain three offset optical channels each of which can be separately captured with an optical sensor.

15 [0017] In one aspect, a device disclosed herein includes an aperture element positioned within a primary optical facility having a center axis, the aperture element including three apertures positioned collinearly, each one of the apertures selectively transmitting a portion of an optical wavefront of the primary optical facility, thereby providing three optical channels, and a center one of the apertures positioned on the center axis.

20 [0018] The three apertures may be substantially equally spaced apart. The aperture element may include one or more of a moving plate, an electronic aperture, a shutter, a shuttering aperture, an oscillating aperture, a flipping mirror, a rotating mirror, and a digital light processor. The aperture element may be adapted to rotate on the center axis. The device may include a refocusing facility having three refocusing elements located at conjugate positions to the three apertures within the primary optical facility. The refocusing facility may be adapted to rotate on the center axis. The aperture element may be adapted to rotate on the center axis. The refocusing facility

25

30

may be adapted to rotate in an opposite direction from the aperture element. The device may include three optical sensors positioned to capture data from each of the three optical channels. Each one of the three optical sensors may include a collection of sensors to acquire RGB data. The device may include a sampling facility that redirects the three optical channels to the three optical sensors. The sampling facility may include two mirrors separated by a space that passes a center one of the optical channels corresponding to the center one of the apertures. The sampling facility may include three mirrors. The sampling facility may include at least one prism. The at least one prism may include a prism having a hole that passes a center one of the optical channels corresponding to the center one of the apertures.

[0019] In another aspect, a device disclosed herein includes a refocusing facility positioned within a primary optical facility having a center axis, the refocusing facility including three refocusing elements positioned collinearly and substantially equally spaced, each one of the three refocusing elements refocusing a portion of an optical wavefront of the primary optical facility, and a center one of the refocusing elements positioned on the center axis.

[0020] The refocusing facility may be adapted to rotate on the center axis. The refocusing elements may include at least one mirror. The refocusing elements may include at least one lens. The refocusing elements may include at least one meso-optical element. The device may include three optical sensors positioned to capture data from each of the three optical channels. Each one of the three optical sensors may include a collection of sensors to acquire RGB data.

[0021] In another aspect, a method of processing images from sensors disclosed herein includes receiving the output of three optical sensors of an imaging system, the three optical sensors including a center sensor that captures data from a center channel of an optical path and two side sensors, each side sensor having an equal displacement with respect to image motion within the optical path; changing a sign of displacement direction of a registration between two of the sensors; and combining a registration between the center sensor and the two side sensors.

[0022] A three-dimensional imaging system uses a single primary optical lens along with three non-collinear apertures to obtain three offset optical channels each of which can be separately captured with an optical sensor.

[0023] In one aspect, a device disclosed herein includes an aperture element positioned within a primary optical facility having a center axis, the aperture element including three apertures positioned non-collinearly, each one of the apertures selectively transmitting a portion of an optical wave front of the primary optical facility, thereby providing three optical channels.

[0024] One of the three apertures may be a center aperture positioned on the center axis. The device may include a fourth aperture, the fourth aperture positioned on the center axis. The three apertures may be substantially equally spaced apart. The three apertures may form a right angle. Two of the three apertures may be one-hundred and eighty degrees apart with respect to the center axis of the primary optical facility. The aperture element may include one or more of a moving plate, an electronic aperture, a shutter, a shuttering aperture, an oscillating aperture, a flipping mirror, a rotating mirror, and a digital light processor. The aperture element may be adapted to rotate on the center axis. The device may include a refocusing facility having three refocusing elements located at conjugate positions to the three apertures within the primary optical facility. The refocusing facility may be adapted to rotate on the center axis. The aperture element may be adapted to rotate on the center axis. The refocusing facility may be adapted to rotate in an opposite direction from the aperture element. The device may include three optical sensors positioned to capture data from each of the three optical channels. Each one of the three optical sensors may include a collection of sensors to acquire RGB data. The device may include sampling facility that redirects the three optical channels to the three optical sensors. The sampling facility may include two mirrors separated by a space that passes a center one of the optical channels corresponding to a center one of the apertures. The sampling facility may include three mirrors. The sampling facility may include at least one prism. The at least one prism may include a prism having a hole that passes a center one of the optical channels corresponding to a center one of the apertures.

[0025] In another aspect, a device disclosed herein includes a refocusing facility positioned within a primary optical facility having a center axis, the refocusing facility including three refocusing elements positioned collinearly and substantially equally spaced, each one of the three refocusing elements refocusing a portion of an optical

wave front of the primary optical facility, and a center one of the refocusing elements positioned on the center axis.

[0026] The refocusing facility may be adapted to rotate on the center axis. The refocusing elements may include at least one mirror. The refocusing elements may include at least one lens. The refocusing elements may include at least one meso-optical element. The device may include three optical sensors positioned to capture data from each of the three optical channels. Each one of the three optical sensors may include a collection of sensors to acquire RGB data.

[0027] In one aspect, a device disclosed herein includes a single primary optical facility; a refocusing facility in a primary optical path of the optical imaging system to sample one or more portions of an optical wavefront that pass through the single primary optical facility, and to focus the optical wavefront onto an image plane; a moving aperture element at a conjugate position to the refocusing facility; a splitting facility that splits the one or more portions of the optical wavefront; at least one sensor that receives at least one of the one or more portions of the optical wavefront; an image processing facility that processes an output of the at least one sensor; and a feedback facility that controls at least one of the moving aperture element and the refocusing facility based on the output of the at least one sensor.

[0028] The device may further include one or more relay lenses that relay ray bundles. The single primary optical facility may include a lens. The single primary optical facility may include a set of mirrors. The single primary optical facility may be an electronic optical facility. The electronic optical facility may include a liquid crystal display. The electronic optical facility may include a flipping mirror.

[0029] The refocusing facility may include three refocusing elements. The three refocusing elements may be disposed collinearly off the axis of the primary optical path. The three refocusing elements may be disposed in a triangle. The triangle may be a right triangle.

[0030] The refocusing facility may include two refocusing lenses. The refocusing facility may be a rotating refocusing facility. The refocusing facility may be adapted to rotate in synchronization with a rotation of the moving aperture element. The refocusing facility may be a mirror-based refocusing facility. The refocusing facility may be disposed behind the single primary optical facility. The refocusing

facility may be disposed in front of the single primary optical facility. The refocusing facility may be within the primary optical facility. The moving aperture element may be adapted to rotate.

5 **[0031]** The moving aperture element may include three apertures that correspond to three refocusing lenses of the refocusing facility. The three apertures may be disposed collinearly off the axis of the primary optical path. The three apertures may be disposed in a triangle. The triangle may be a right triangle.

10 **[0032]** The moving aperture element may be adapted to rotate in synchronization with a rotation of the refocusing facility. The moving aperture element may be adapted to rotate in a direction of the rotation of the refocusing facility. The moving aperture element may be adapted to rotate in an opposite direction of the rotation of the refocusing facility. The moving aperture element may be in front of the single primary optical facility in the primary optical path. The moving aperture element may be behind the single primary optical facility in the primary optical path.
15 The moving aperture element may be located at a pupil of the system. At least one aperture of the moving aperture element may be located on an axis of the primary optical path. The moving aperture element may be a rotating aperture element, and wherein at least one aperture of the moving aperture element does not move relative to an axis of the primary optical path during a rotation of the moving aperture element.
20 An image passing through at least one aperture of the moving aperture element may provide a fixed reference.

25 **[0033]** The splitting facility may include a pupil splitting facility. The splitting facility may include a pupil sampling facility. The splitting facility may include a polarizing splitter. The splitting facility may include a prism. The splitting facility may include a pair of mirrors. The pair of mirrors may be separated by a space that allows a central channel of an image to pass directly to a sensor. The splitting facility may include a mirror with a transmissive portion that permits a portion of an image to pass through a portion of the mirror.

30 **[0034]** The device may further include three sensors disposed in conjunction with three ray bundles that correspond to three apertures of the moving aperture element.

[0035] The device may further comprising two sensors including a first sensor disposed as a rear channel along a central axis of the primary optical path and a second sensor disposed off-axis relative to the central axis of the primary optical path. The at least one sensor may consist of one sensor. The one sensor may be an RGB sensor.

5 The one sensor may include a plurality of sensor elements, each one of the plurality of sensor elements being selectively responsive to particular wavelengths of light.

[0036] The image processing facility may include a camera. The image processing facility may include a machine vision system. The image processing facility may include a motion detection system. The image processing facility may include a three dimensional imaging facility. The image processing facility may include a medical imaging facility. The image processing facility may include a dental imaging facility. The image processing facility may perform triplet image processing based on spatio-temporal processing. The image processing facility may perform correlation-based image processing. The image processing facility may perform disparity-based image processing. The image processing facility may be capable of performing velocimetry. The refocusing facility may be disposed in front of the single primary optical facility in the primary optical path.

[0037] The device may further include a masking element adapted to move in synchronization with the moving aperture element.

20 [0038] The device may be used to correct aberrations in optical image data.

[0039] In one aspect, a device disclosed herein includes a single primary optical facility; a splitting facility that samples portions of a pupil of the imaging system to provide a plurality of sampled portions of an optical wavefront; a set of three or more sensors that receives respective ones of the plurality of sampled portions; and an image processing facility that processes an output of the sensors.

[0040] In one aspect, a device disclosed herein may include a single primary optical facility in a primary optical path of the imaging system; and a refocusing facility in the primary optical path, the refocusing facility adapted to sample a portion of a wavefront that passes through the primary optical facility.

30 [0041] In one aspect, a device disclosed herein may include a single primary optical facility in a primary optical path of the imaging system; a refocusing facility in the primary optical path, the refocusing facility adapted to sample a portion of a

wavefront that passes through the primary optical facility; a moving aperture element that samples the portion of the wavefront to provide a sampled wavefront; at least one sensor that receives the sampled wavefront; and an image processing facility that processes an output of the at least one sensor.

5 **[0042]** In one aspect, a device disclosed herein includes a moving aperture element that samples a portion of a wavefront to provide a sampled wavefront; at least one sensor that receives the sampled wavefront; and an image processing facility that processes an output of the at least one sensor.

10 **[0043]** In one aspect, a device disclosed herein includes a moving aperture element that samples a portion of a wavefront, the moving aperture element located at a pupil of a primary optical path of the imaging system, the moving aperture element including at least one aperture located on an axis of the primary optical path; at least one sensor that receives a sampled portion of the wavefront; and an image processing facility that processes the output of the one or more sensors.

15 **[0044]** In one aspect, a device disclosed herein includes an aperture element that samples a portion of a wavefront in the imaging system, the aperture element located in a primary optical path of the imaging system at a pupil of the primary optical path, the aperture element including a plurality of apertures that are disposed linearly with respect to each other.

20 **[0045]** In one aspect, a device disclosed herein includes a single primary optical facility; a rotating aperture element that samples a portion of a wavefront in the imaging system to provide a sampled wavefront, the rotating aperture element being located in a primary optical path of the imaging system at a pupil of the primary optical path; at least one sensor that senses a portion of the sampled wavefront; and an image
25 processing system that processes an output of the at least one sensor.

30 **[0046]** In one aspect, a device disclosed herein includes a single primary optical facility within a primary optical path of an imaging system; a refocusing facility in the primary optical path to sample a portion of a wavefront in the primary optical path; a moving aperture element that samples a portion of the wavefront in the primary optical path; a splitting facility that splits portions of a pupil within the primary optical path; a sensor that receives the wavefront after the refocusing facility, the moving aperture, and

the splitting facility; and an image processing facility that processes an output of the sensor.

[0047] In one aspect, a device disclosed herein includes a single primary optical facility in a primary optical path of the imaging system; a refocusing facility in the primary optical path to sample a portion of a wavefront in the primary optical path; a multi-aperture element adapted to receive the wavefront from the refocusing facility and to sample the received wavefront, the multi-aperture element including a plurality of apertures; a splitting facility that splits portions of a pupil in the primary optical path to provide a plurality of sampled wavefronts; a sensor that receives one or more of the plurality of sampled wavefronts, wherein the sensor is adapted to receive sampled wavefronts from at least two of the plurality of apertures simultaneously; and an image processing facility that processes the output of the one or more sensors.

[0048] In one aspect, a device disclosed herein includes receiving the output of three optical sensors of an imaging system, the three optical sensors including a center sensor that captures data from a center channel of an optical path and two side sensors, each side sensor having an equal displacement with respect to image motion within the optical path; changing a sign of displacement direction of a registration between two of the sensors; and combining a registration between the center sensor and the two side sensors.

[0049] All documents identified herein are incorporated by reference in their entirety.

BRIEF DESCRIPTION OF THE FIGURES

[0050] The invention and the following detailed description of certain embodiments thereof may be understood by reference to the following figures.

[0051] Fig. 1 shows an embodiment of an imaging system with a moving aperture component, a set of refocusing lenses, and a pupil splitting facility.

[0052] Fig. 2 shows an embodiment of refocusing facility.

[0053] Fig. 3 shows an embodiment of a rotating aperture element.

[0054] Fig. 4 shows an embodiment of an imaging system with two sensors.

[0055] Figs. 5A-5D show embodiments of a refocusing facility and moving aperture with refocusing lenses and apertures in a triangular configuration.

[0056] Fig. 6 shows a single-sensor embodiment of an imaging system.

[0057] Fig. 7 shows an embodiment with a prism as a pupil splitting facility.

[0058] Fig. 8 shows an embodiment of an imaging system with two side-channel sensors.

5 **[0059]** Figs. 9A-9B show embodiments of a refocusing facility and a moving aperture with a pair of refocusing lenses and a pair of apertures.

[0060] Fig. 10 shows an embodiment of an imaging system with a refocusing facility and a moving aperture element disposed in front of a primary optical lens.

10 **[0061]** Fig. 11 shows an embodiment of an imaging system with a refocusing facility in front of a primary optical lens and a moving aperture component behind the primary optical lens.

[0062] Fig. 12 shows an embodiment of an imaging system with a set of mirrors serving as a primary optical facility.

15 **[0063]** Fig. 13 shows an embodiment of an imaging system with an electronic optical component.

[0064] Fig. 14 shows an imaging system with an associated image processing facility and including a feedback facility for providing feedback control to components of the imaging system.

20 **[0065]** Fig. 15 shows a technique for viewing narrow areas with an imaging system.

[0066] Fig. 16 is a schematic diagram reflecting a set of images taken by cameras in an image triplet processing technique.

DETAILED DESCRIPTION

25 **[0067]** It will be understood that the ray traces and lenses depicted in the following figures are for purposes of illustration only, and depict optical paths generally in the disclosed systems. The ray traces and lens shapes should not be understood to limit the scope of the invention in any sense including the magnitude, direction, or focus of light rays or bundles passing through various optical components,
30 notwithstanding any variations in number, direction, shape, position or size thereof, except as expressly indicated in the following detailed description.

[0068] Referring to Fig. 1, a schematic diagram of an imaging system 100 in accordance with one preferred embodiment of the present disclosure is depicted, including various optional components. The imaging system 100 may include a primary optical facility 102, which may be employed in any kind of image processing system. In general, a primary optical facility refers herein to an optical system having one optical channel. Typically, this optical channel shares at least one lens, and has a shared image plane within the optical system, although in the following description, variations to this may be explicitly described or otherwise clear from the context. The imaging system 100 may include a single primary lens, a group of lenses, an object lens, mirror systems (including traditional mirrors, digital mirror systems, digital light processors, or the like), confocal mirrors, and any other optical facilities suitable for use with the systems described herein. The imaging system 100 may be used, for example in a stereoscopic or other multiple image camera system. Other optical facilities may include holographic optical elements or the like. In various configurations, the primary optical facility 102 may include one or more lenses, such as an object lens (or group of lenses) 102b, a field lens 102d, a relay lens 102f, and so forth. The object lens 102b may be located at or near an entrance pupil of the imaging system 100. The field lens 102d may be located at or near a first image plane 102c of the system 100. The relay lens 102f may relay bundles of light rays within the system 100. It will be understood that, while one embodiment is depicted in Fig. 1, numerous variations are possible. In addition, while some of the lenses (e.g., 102d and 102f) are depicted as doublets, these may also be single lenses.

[0069] The imaging system 100 may be designed for active wavefront sampling, which should be understood to encompass any technique used to sample a series or collection of optical data from an object or objects, such as the object 120 of Fig. 1, including optical data used to help detect two- or three-dimensional characteristics of an object, using optical data to detect motion, using optical data for velocimetry or object tracking, or the like. The object 120 may be located on a nominal object plane that is scanned by the imaging system 100, such as a system included in an imaging wand, camera or the like.

[0070] The imaging system 100 may include an aperture element 108, which may include any element or elements for selectively transmitting a portion of the

optical signal transmitted through the primary optical facility 102. While depicted in a position between a field lens 102d and a relay lens 102f, it will be understood that the aperture element 108 may suitably be positioned in a variety of locations within or outside of the primary optical facility 102, such as in front of, inside or behind one of the lenses that serves as the primary optical facility 102. The aperture element 108 may include one or more apertures 112. In embodiments, the aperture element 108 may comprise any kind of aperture element, including a dynamic aperture, a moving plate, a moving aperture, an electronically controlled aperture, an electronic aperture, a shutter, a shuttering aperture, a variable aperture, an oscillating aperture, a controllable aperture, a rotating aperture, a flipping mirror, a rotating mirror, a digital light processor (DLP), or other similar component. The apertures 112 may be located in various positions, such as collinear/on-axis with the primary optical path of the imaging system, or in a paraxial location/off-axis. In embodiments the apertures 112 of the aperture element 108 may include multiple apertures 108 disposed in various configurations, such as a line of three apertures 112, an equilateral triangle of apertures 112, a pair of apertures 112, apertures 112 disposed in an "L" configuration, or the like. In embodiments, one of the apertures 112 may be located on a central axis of the imaging system 100. In one embodiment, a rotating aperture element 108 may rotate about a central axis of the imaging system 100, with three co-linear apertures 112 disposed therein, one of which is located on the central axis of the imaging system 100. It will be understood that any rotating element described herein may be adapted to rotate using any electro-mechanical or other means known in the art and suitable for use with the optical systems described herein. The other two apertures 112 of the aperture element 108 may be located in a line with the centrally located aperture 112, with the two side apertures each being spaced an equal distance from the center aperture 112. In other embodiments the apertures 112 may be arranged in various other configurations, such as triangles, "L" shapes, or the like. The three apertures 112 on the rotating aperture element 108 allow sampling of three distinct portions of the ray bundles passing through the primary optical facility 102. The aperture element 108 may allow active subsampling of a portion of the wavefront from the primary optical facility 102, such as a primary lens of an imaging system 100. One or more of the apertures 112 of the aperture element 108 may be located at a fixed position, either on

the central axis of the imaging system 100 or at another position that is fixed or invariant relative to the imaging system 100. In embodiments the use of holographic optical elements may increase the offset of the side apertures, which may advantageously increase depth resolution or sensitivity of the imaging system 100.

5 **[0071]** One or more of the apertures 112 may serve as a fixed reference image for imaging processing. Thus, in one aspect, there is disclosed herein a three-dimensional imaging system that employs a multi-aperture element 108 in the primary optical path, having at least one invariant aperture location that establishes a reference image. The system may include a moving or active multi-aperture element 108. The
10 system may include a splitting facility that supports three or more optical channels. The non-moving aperture may be located at a paraxial location or may be located on the center axis.

[0072] In another aspect, there is disclosed herein a three-dimensional imaging system having a three-aperture element 108 wherein the apertures 112 are collinear,
15 i.e., linearly disposed with respect to one another. The three-aperture element 108 may be a moving component in which one or more of the apertures 112 move within the optical path. In alternative embodiments the aperture element 108 may include apertures disposed in a triangular (e.g., equilateral triangle) configuration or may include a pair of apertures disposed in a line, apertures disposed in an "L" shape (e.g., a
20 right triangle), or the like.

[0073] The imaging system 100 may include one or more refocusing facilities 110, which should be understood to include any facilities for refocusing ray bundles, or an image or portion of an image, altering focus, adjusting focus or the like. Embodiments may include refocusing lenses, relay lenses, mirror systems or other
25 optical facilities capable of relaying, coding, or refocusing light, including, as appropriate for a particular context, any of the optical facilities described in connection with the primary optical facility 102 above. In some embodiments, the refocusing facility 110 may include one or more meso-optical elements to expand depth of field for an optical path, such as glass cones or Wavefront Coding™ devices commercially
30 available from CDM Optics, Inc. Meso-optical elements suitable for using with the systems disclosed herein are described, for example, in Meso-Optics Foundations and Applications by L.M. Soroko (Nov. 1996), the entire contents of which are

incorporated herein by reference. While these elements can expand the in-focus range for the associated optical path(s) and may permit capture of images at a distance that is different from the in-focus plane of the primary optical facility, it will be appreciated that the corresponding image obtained by a sensor may be encoded in a manner that requires a decoding algorithm or process to recover a sharp image from a ray bundle. Suitable decoding algorithms are known, and may be deployed in any image processing system(s) associated with a camera embodying the primary optical facility.

[0074] A refocusing facility 110 may support one or more refocusing elements 104 that consist of a plurality of refocusing lenses. The refocusing facility 110 and the aperture element 108 may be located at conjugate positions in the optical system 100 and in certain embodiments may be considered to be at substantially the same position within the system 100. For example, and not by way of limitation, the aperture element 108 and the refocusing facility 110 may be coplanar, such as by having each aperture surround a refocusing lens at a shared pupil of the optical facility. The refocusing facility 110 and aperture element 108 may rotate, so that they focus an image on one or more sensors when in the appropriate position. The refocusing facility 110 may rotate in the same direction as the rotating aperture element 108, in the opposite direction, at the same speed, and/or at a different speed. In embodiments, the rotation of the elements 110, 108 is controlled by a processor (not shown).

[0075] The imaging system 100 may include a sampling facility 118. The sampling facility 118 may include any type of facility that samples or redirecting a portion of the optical signal passing through the imaging system 100, such as a splitting facility, pupil splitter, pupil splitting facility, prism, splitter, mirror, pupil sampling facility, plurality of mirrors, partial mirror, filter, mirror with transparent element, a pair of mirrors with a space between them, or other such facility. In addition to sampling at the exit pupil (i.e., located outside the primary optical facility 102), it is possible to sample at an internal pupil of the primary optical facility 102. Referring still to Fig. 1, a sampling facility 118 may include a pair of mirrors for reflecting light in the imaging system 100 in different directions. The sampling facility 118 may include a number of mirrors position to reflect different ray bundles toward different sensors 114a, 114b and 114c. As depicted, a first sampling facility 118 may direct light toward a first side sensor 114a and a second sampling facility 118 may direct light

toward a second side sensor 114c. A space may be provided between the two sampling facilities 118 that permits a coaxial (or paraxial) ray bundle to travel along the central axis of the imaging system 100 to a rear sensor 114b. It will be noted that, in the system of Fig. 1, each sampling facility 118 is positioned to receive a portion of the primary ray bundle selected by one of the apertures 112 of the aperture element 108. Each aperture 112 may also have a refocusing element 110 associated therewith at a conjugate location. In turn, each sensor 114a, 114b or 114c may receive a corresponding portion of the ray bundles from the primary optical facility 102, allowing separate processing of the different ray bundles.

[0076] It should be understood that various other arrangements may be provided for directing different ray bundles to different sensors 114. For example, a single mirror may be provided with a transmissive central element, e.g., a hole, to allow a portion of light to pass through to the rear sensor 114b. More generally, a variety of optical techniques including filters, splitters, mirrors, refractive and/or reflective elements, and the like, as well as various combinations of mechanical, electro-mechanical, and/or electrical shuttering may be usefully employed in the systems described herein.

[0077] The sensors 114 may include any sensors suitable for sensing a condition of optical energy, e.g., visible light, infrared energy, X-rays, ultraviolet light or other energy from any portion of the electromagnetic spectrum that might be transmitted through the primary optical facility 102. Sensors should be understood to include sensors capable of measuring the intensity of light, sensors for sensing a color of light, collections of sensors, e.g., RGB sensors, and the like. Sensors may include collections of sensors, such as one-, two-, or three-sensor collections, or larger collections of sensors, which may be arranged to receive different ray bundles or the same ray bundle. The imaging system 100 may direct different sampled ray bundles to different parts of the same sensor, thus forming a number of virtual sensors from a single sensor or pixel array. In one embodiment, three sensors 114a, 114b and 114c may be positioned as two side channels and one rear channel to receive different ray bundles from the primary optical facility 102, as selectively delivered through, e.g., the aperture element 108.

[0078] The imaging system 100 may include one or more image processing facilities (not shown), which should be understood to include any hardware, software, or other processing systems for processing image data. The image processing facility may include one or more individual sensors, as described herein, as well as a camera (still, motion picture, digital, video, or other camera), a computer, a machine vision system, an optical system, a reader, an object tracking device, a scope, or the like. An image processing facility may include one or more additional components, such as a processor, microprocessor, application specific integrated circuit, circuit, microchip, microcontroller, controller, hardware element, software, firmware, or other component for processing data, including image data. Image processing facilities should be understood to include and to enable various techniques for processing images, including techniques described herein and in the documents incorporated by reference herein for active wavefront sampling of optical images, techniques based on correlation of image data from different images, or other image processing techniques, e.g., decoding wavefront coded images, known to those of skill in the art. In one embodiment, data from the sensors 114a, 114b and 114c of Fig. 1 may be relayed to an image processing facility that is capable of processing the image data, such as to process images of the object 120, and resolve resulting image data into three-dimensional data. In embodiments, such an image processing facility may register different images from the imaging system 100, such as images from the apertures 112 of the aperture element 108, taking into account the location of the apertures 112 and the motion of the aperture element 108. For example, the image processing facility may take into account the fixed location of the central aperture 112 of a rotating aperture element 108, using image data from that aperture 112 as a fixed reference to assist with efficient image registration. Similarly, the relative positions of the side apertures 112 on the rotating aperture element 108 and their known relative positions, may allow efficient registration of the portions of the pupil of the imaging system 100 that are relayed through the respective side apertures 112 to the sensors 114a and 114c.

[0079] The imaging system may include one or more feedback facilities, which may encompass any components of an image processing facility for providing feedback to controllable elements associated with the image processing facility. In embodiments, a feedback facility may provide feedback to control, for example, the

refocusing facility 110 (e.g., to control the rotation of a rotating refocusing facility 110), the aperture element 108 (e.g., to control rotation of a rotating aperture, such as in conjunction with a rotating refocusing facility 110), the location of the object 120 relative to the primary optical facility, the operation of electronic optical components, or any other controllable aspect of the imaging system 100.

[0080] The imaging system may include one or more relay optical facilities, such as the relay lens 102f of Fig. 1, which may encompass any component or element for maintaining the optical path of light between operative optical facilities.

Embodiments may include various lenses for relaying an image, or a portion thereof, within an optical facility 102 or between a primary optical facility 102, refocusing lenses 104, an aperture 112, a pupil splitting facility 118 and/or one or more sensors 114.

[0081] The imaging system may include an electronic optical facility, which encompasses any electronic component that accomplishes one or more functions performed by any of the optical components or facilities described herein, such as transmitting, focusing, reflecting, diffracting, refracting or relaying light. Embodiments may include spinning or flipping mirrors, liquid crystal elements, digital light processors, or the like.

[0082] In one aspect, the disclosed system includes a three-dimensional imaging system having a single primary optical facility 102. The system may employ pupil splitting or pupil sampling in combination with multiple sensors, as shown and described with reference to Fig. 1. The system may employ a pair of splitting facilities 118, such as mirrors, in the primary optical path of the imaging system. Ray bundles may be split between a center path and at least one side path.

[0083] In general, it will be appreciated that numerous variations are possible to the system 100 depicted in Fig. 1. That is, certain components may be omitted, others may be added, and various components may be repositioned within the optical train. By way of example and not of limitation, a variety of aperture arrangements may be usefully employed with the systems described herein. For example, a camera using the system 100 may include an aperture element 108, but no refocusing facility 110, or may include an aperture element 108 and a refocusing facility 110 that includes one or more refocusing lenses but no optical wavefront coding elements, or may include an

aperture element 108 and a refocusing facility 110 that includes one or more optical wavefront coding elements but no refocusing lenses. Different refocusing facilities 110 may also be used in combination. For example, the system 100 may include a first refocusing facility having refocusing lenses and a second refocusing facility having meso-optical elements, which may be in conjugate locations within the primary optical facility. All such variations that would be clear to one of ordinary skill in the art are intended to fall within the scope of this disclosure.

[0084] Fig. 2 shows a view of an embodiment of the refocusing facility 110 as seen looking along the central axis of the imaging system 100, with refocusing lenses 104 disposed in a linear configuration, with a central refocusing lens 104 located at a central axis of the refocusing facility 110, so that it remains in a fixed, non-moving position during rotation of the refocusing facility 110. In embodiments one may create a rotating disk with a hole in the center where the non-moving center aperture is disposed.

[0085] Fig. 3 shows a view of the rotating aperture element 108 as seen along a central axis of the imaging system 100, with apertures 112 positioned in a linear configuration on the rotating aperture element 108, one of which is disposed at a central axis of the aperture element 108, so that the central aperture does not move when the aperture element 108 rotates. While the apertures 112 are shown as circular, it should be understood that in other embodiments non-circular apertures could be used, and an image processing facility may take advantage of irregular aperture shapes where possible in order to resolve image data for images that pass through such an irregular aperture. The linear arrangement of three refocusing lenses and three apertures as depicted in Figs. 2 and 3 provide certain advantages. For example, the image transmitted through the center aperture 112 and center refocusing lens 104 can be used as a reference image in image processing, because it is located in the same position regardless of the motion of the rotating aperture 108. The side apertures 112 also move a fixed (and equal) distance when the aperture element 108 rotates, with the two side apertures moving equal distances in the same rotational direction. This known extent of rotation may simplify image processing of image data for data from the two side apertures. While in some embodiments the aperture plate 108 and the refocusing facility 110 may be separate facilities, it should be understood that in other

embodiments the two may be combined into a single optical facility, such as with refocusing lenslets 104 located in or in close proximity to the apertures 112.

[0086] Fig. 4 shows an image processing system 400 similar to the image processing system 100 of Fig. 1, except that the image processing system 100 has two sensors 114a and 114b, in contrast to the three-sensor system of Fig. 1. The two sensors are configured to receive image portions from apertures 112 of the rotating aperture element 108, the image portions having been focused on the apertures by refocusing facility 110 in a manner similar to that described in connection with Fig. 1. In this case a single mirror 118 directs a ray bundle from a side aperture to the sensor 114, while the ray bundle from the central aperture 112 is allowed to pass directly to the rear sensor 114b. Optionally, the ray bundle from the central aperture 112 may be directed to a side aperture and the ray bundle from the side aperture may pass to a rear sensor. In such a system 400, an image processing facility would be configured to process data from the two sensors, optionally using data from the center aperture as a fixed reference image, facilitating efficient registration of images from the side aperture 112, since the motion of the side aperture relative to the center aperture is known.

[0087] Figs. 5A-5D show a number of alternate configurations for the refocusing facility 110, with refocusing lenses 104 disposed in a triangle (depicted here as an equilateral triangle, but optionally any form of triangle or other geometric configuration, such as a right angle (or "L" shape) 502 or a triangle combined with an additional central aperture 504 that is invariant in position upon rotation of the aperture plate 108). A corresponding rotating aperture element 108 includes apertures 112 disposed in a triangle, configured to correspond to the refocusing lenses 104. In embodiments, an imaging system similar to the system 100 would be used with these alternative embodiments of the refocusing facility 110 and the aperture element 108, but the splitting facility and sensors would be positioned to handle ray bundles from the triangular configuration of apertures 112, rather than being positioned to receive ray bundles along a line as depicted in Fig. 1. The known geometry of the apertures 112 would allow an image processing facility to process the relative motion of ray bundles based on the known relative motion of the apertures upon movement of the aperture element 108. In another embodiment, two apertures may be collinear with a center of the aperture element (relative to, e.g., a center axis of a primary optical facility), or

spaced one-hundred and eighty degrees apart with respect to the center, while a third aperture is at a different angle with respect to the center and/or at a different distance from the center. The collinear apertures may be equally spaced or differently spaced from the center.

5 **[0088]** Fig. 6 shows an imaging system 600 similar to the imaging system 100 of Fig. 1, except that the different ray bundles are relayed through the apertures of the aperture element 108 to a single sensor 602. In embodiments, the single sensor 602 may include different portions that are capable of responding differently to distinct ray bundles delivered thereto from each aperture 112, such as different pixels, e.g., with
10 different color sensors on them. In other embodiments the light sensitive elements of the single sensor 602 may respond differently to different light spectra. For example, there may be a color filter array on the pixels. The filters can be tailored to the specific spectral bands filtered at, for example, each of the apertures 112. The single sensor can be a multi-spectral sensor (e.g., with R, G, B and IR pixels), or there can be multiple
15 sensors among which one or more are RGB or multi-spectral. A sensor 602 can have different layers that capture light in different spectral bands, so that essentially every pixel location captures in all selected bands. Thus, in embodiments, the refocusing lenses 104 or the apertures 112 may be equipped with a set of filters 116, such as color or spectral bandpass filters, each of which filters light outside a particular color or
20 frequency, so that different color images of the object 120 are delivered through the respective apertures 112 to the sensor 602, effectively rendering the single sensor 602 as the equivalent of three distinct sensors. In other embodiments, various regions of the sensor may be allocated to different ray bundles. Thus, a vision processing system can process data from the single sensor 602 in such an embodiment in a manner similar to
25 the processing of image triplets as described in connection with Fig. 1. Thus in one aspect, the three-dimensional imaging system may include a multi-aperture component and bandpass filters 116 on one or more of the apertures.

[0089] It should also be understood that methods and systems are provided herein for three-dimensional imaging with a single primary optical facility 102, a multi-
30 aperture element 108, and a single sensor. Embodiments include methods and systems for channeling rays through different apertures to different sections of the same sensor, e.g., particular pixels of the sensor. Embodiments include providing filters on the

different apertures and using a single sensor to detect different wavelengths from the differently filtered apertures.

[0090] Fig. 7 shows an imaging system 700 similar to the imaging system 100 of Fig. 1, except that a prism 702 serves as a splitting facility 118, serving a similar function to the pair of mirrors depicted in connection with Fig. 1. The prism 702 reflects different ray bundles from the primary optical facility 102 to different sensors 114a, 114b and 114c, the ray bundles having been separated by a refocusing facility 110 and an aperture element 108 in conjugate positions similar to those described in connection with Fig. 1. If the components 110 and 108 are at conjugate locations (e.g. the aperture element 108 is at the entrance pupil plane), they may be synchronized such that if the refocusing facility 110 rotates, the aperture element 108 rotates accordingly. In addition, the refocusing lens 104 may have multiple lenslets (e.g., one at the center, and, for example, sixteen off axis) in which case a rotating aperture element 108 at any pupil position (102a, 102e, and somewhere between 102f and 118 / 702) may select which lenslets actually let light through. In another optional embodiment, the refocusing facility 110 may be replaced with a rotating radial slit, and the aperture element 108 may be replaced with an annular mask at a pupil (e.g., at 102a, 102e, and somewhere between 102f and 118/702). The intersection of these two would define an aperture shape and location. More generally, it should be understood that while the prism 702 and the pair of mirrors of Fig. 1 represent two possible embodiments, any other kind of optical facility described herein may be configured to deliver different portions of the pupil of the image to the respective sensors, and all such embodiments are encompassed herein. As one example, the prism 702 may be replaced with two mirrors or prisms leaving an open center channel for the center ray bundle.

[0091] Fig. 8 shows an imaging system 800 with two sensors 114a and 114c, in this case receiving ray bundles from a pair of mirrors 118 that in turn receive ray bundles from a pair of apertures 112 located on an aperture element 108. Various other two-sensor embodiments are possible and are encompassed herein.

[0092] Figs. 9A-9B shows a refocusing facility 110 with a pair of refocusing lenses 104, as well as an aperture element 108 with a corresponding pair of apertures 112, suitable for a two-sensor embodiment such as the imaging system 800 of Fig. 8.

[0093] Fig. 10 shows an imaging system 1000 similar to the imaging system 100 of Fig. 1, but in the embodiment depicted in Fig. 10 the rotating aperture element 108 and the refocusing facility 110 with the refocusing lenses 104 are integrated as a single facility and are disposed at or in close proximity to the entrance pupil 102a between the object 120 and the primary optical facility 102, which in this case only shows a primary lens 102b (but could have various relay lenses or the like), so that ray bundles are sampled before entering the primary optical facility 102. It should be thus understood that various configurations of the primary optical facility 102, the rotating aperture element 108 and the refocusing facility 110 are intended to be encompassed herein.

[0094] Fig. 11 shows an imaging system 1100 similar to the imaging system 100 of Fig. 1 and the imaging system 1000 of Fig. 10, but in the embodiment depicted in Fig. 11 the rotating aperture element 108 and the refocusing facility 110 are disposed on opposite sides of a relay lens 102b within the primary optical facility 102, so that ray bundles are refocused before entering the lens 102f, then sampled by different apertures of the rotating aperture element 108 after exiting the primary optical facility. Again, it should be understood that various configurations of the primary optical facility 102, the rotating aperture element 108 and the refocusing facility 110 are encompassed herein.

[0095] Fig. 12 shows an imaging system 1200 similar to the imaging system 100 of Fig. 1, except that the primary optical facility 102 may include a mirror system 1202, which may include a set of mirrors that are configured to reflect light from the object 120 to the refocusing facility 110 and in turn through the apertures 112 of the rotating aperture element 108. Various alternative embodiments may be envisioned for the primary optical facility 102, encompassing any type of optical facility contemplated herein, or components or combinations thereof. More generally, while depicted as a mirror system 1202 that reflects and redirect light prior to entering an aperture element 108 and the like, it will be understood that one or more mirrors may be positioned in numerous locations within the optical train depicted in, e.g., Fig. 1, and all such variations are intended to fall within the scope of this disclosure. For example, various refractive or filtering optical elements discussed above may be replaced with or supplemented by mirrors within the systems described herein.

[0096] Fig. 13 shows an imaging system 1300 similar to the imaging system 100 of Fig. 1, except that the primary optical facility 102 may include an electronic optical facility 1302, shown in block diagram format, where the electronic optical facility 1302 is configured to deliver light from the object 120 to the refocusing facility 110 and in turn through the apertures 112 of the rotating aperture element 108. In 5 embodiments the electronic optical facility 1302 may further encompass, or substitute for, the refocusing facility 110 and/or the aperture element 108. Various alternative embodiments may be envisioned for the electronic optical facility 1302, encompassing any type of electronic optical facility contemplated herein, or components or 10 combinations thereof, such as spinning or flipping mirrors, digital light processors, liquid crystal-based components, or the like. In embodiments the electronic optical facility may be located at an entrance pupil 102a of the system 1300. More generally, various electronic or electromechanical optical elements may be used in various locations within the optical train depicted in, e.g., Fig. 1, and all such embodiments are 15 intended to fall within the scope of this disclosure.

[0097] Fig. 14 shows an imaging system 1400 similar to the imaging system 100 of Fig. 1, in this case showing an image processing facility 1402 associated with the sensors 114a, 114b and 114c for receiving and processing image data from the ray bundles sampled by the pupil sampling system of the imaging system 1400, which 20 includes the rotating aperture element 108 and the refocusing facility 110, which deliver ray bundles to the splitting facility 118, a set of mirrors similar to those depicted in connection with Fig. 1. In this case the image processing facility includes a feedback facility 1404, providing feedback control of the rotating aperture element 108 and the rotating refocusing facility 110 under control of the image processing facility 25 1402, such as to control the sampling of images in order to achieve various processing techniques, including the techniques described herein and techniques described in the documents incorporated by reference herein.

[0098] A three-dimensional imaging system as described herein may include a facility for separately handling distinct bundles of light rays from a single primary 30 optical facility 102, such as a primary optical lens or set of lenses. The facility may include a refocusing facility 110, a moving aperture 108, a splitting facility 118, a

combination of the foregoing, or an alternative optical arrangement that similarly handles distinct bundles or portions of image data.

5 [0099] The moving (e.g., rotating) aperture element 108 in the primary optical path may have an off-axis aperture or an on-axis aperture with a non-standard aperture shape, such as a slit. The aperture element 108 may also, or instead, include multiple moving or rotating plates. In addition, the apertures 112 in each of the one or more moving components may have various shapes. For example, to rotating disks, each having an elongated slit passing through or near its center, may be jointly controlled to provide an aperture at an arbitrary, programmable location within the optical path.

10 [00100] In certain preferred embodiments, provided herein are methods and systems for three-dimensional imaging using a rotating, multi-aperture plate 108 in the primary optical path, with feedback control of the rotating plate 108 through a feedback facility 1504.

15 [00101] Provided herein are methods and systems for three-dimensional imaging using a moving (e.g., rotating), multi-aperture element 108 at a pupil of the primary optical path. In embodiments the moving aperture component may be disposed either behind, in front of, or within a primary optical facility 102, such as a primary lens. Embodiments may include relay lenses 1402. Other embodiments may include intermediate optical facilities, or refocusing lenses 110, in front of the primary optical facility.

20 [00102] It should be understood that certain preferred embodiments may include one or more masking elements (e.g., a rotating shutter) for masking a portion of the primary bundle of light rays in the optical path of an imaging system.

25 [00103] In embodiments, the methods and systems described herein can be used for other purposes, such as for correcting aberrations. Thus, methods and systems include a three (or more) sensor system for correcting aberrations in image data.

30 [00104] It may be noted that in various embodiments described herein, methods and systems are provided for three-dimensional imaging in which separate ray bundles are sampled, but the sampled portions of a primary ray bundle share at least one optical element after the sampling. It should also be noted that in certain embodiments herein are methods and systems are provided for three-dimensional imaging with pupil

sampling at one pupil and relevant pupil splitting at another pupil of the imaging system.

[00105] It may be noted that provided herein are methods and systems that use three image sensors that record three independent perspectives through a single lens, using pupil sampling or pupil splitting. In embodiments, three sensors and a single lens are used. Unlike a typical triplet imaging system, which has three sensors located in a triangular pattern (but may have various other patterns) about a center position, in certain preferred embodiments the methods and systems disclosed herein may locate the third sensor between the two other sensors. This allows the third sensor to record object feature positions that are ideally an average of the positions recorded by the sensors to the left and to the right. This third sensor records an object position to which the other object images can be referenced. It provides a reference independent of object depth. This greatly simplifies registration of image data taken in time with a moving object and/or camera.

[00106] In embodiments, images from the three sensors are processed using a unique image registration technique that takes advantage of the third imaging sensor's location. Because the displacement of object features imaged by the third sensor are ideally an average of feature positions recorded by the left and right sensors, image registration between the third (center) sensor and the left sensor indicates a feature displacement equal in distance but opposite in direction to that of the imaged feature displacement between the center sensor and the right sensor. By changing the sign of the displacement direction of the registration between two sensors, a more accurate measure of image disparity can be found by combining the registration among the data from the different sensors. Additionally, there is the capability to use spatio-temporal processing methods, which may be more accurate.

[00107] Thus, various embodiments disclosed herein include methods and systems for combined pupil sampling by splitting the pupil of the primary optical system into one on-axis and multiple off-axis apertures for instantaneous capture of multiple images in the same spectral band by a monocular camera for three-dimensional imaging of moving objects. Thus, embodiments involve pupil sampling by a single moving / non-moving aperture element such as to image stationary scenes. Multiple images instantaneously captured in the same spectral band at different

aperture locations on different sensors are made possible by combining pupil sampling done by a moving aperture mask (e.g., three collinear apertures) with pupil splitting by a set of stationary mirrors or prisms. Under this condition, after pupil sampling the individual rays share the same optical elements. This allows the implementation of a freely moving sampling aperture 112 and associated elements) with a stationary splitting facility (e.g., mirrors, prism, or the like). One aperture at the center and one or more at an off-axis location are used for capturing three-dimensional images of moving objects. Rays passing through the different apertures share the optics before and after pupil sampling and are have different optical paths before sampling.

[00108] Thus, the various methods and systems disclosed herein enable using a moving aperture with pupil splitting. In various embodiments the optical path of a single lens can be split into three regions and sent to separate sensors. A moving aperture plate with three aperture openings can be used to control the parts of the lens being used for imaging. By rotating the mask, the perspective seen by each of the sensors changes. The advantage of this arrangement, in addition to the advantages of using an offset rotating aperture, is that images from the three sensors can be used to acquire three-dimensional information. Thus, multiple images taken in time are not required to resolve the three-dimensional shape of an object. This greatly simplifies three-dimensional processing when wavefront imaging is used to image a moving object.

[00109] In other embodiments, methods and systems disclosed herein also include methods and systems to support off-axis optical wavefront and defocus blur sampling referenced to an on-axis image. In embodiments, an imaging system may assist in capturing imaging data for images of three-dimensional surfaces by quantitatively measuring the defocus blur size of the images. In particular, by pupil sampling with one or more off-axis apertures (e.g., the off-axis apertures disclosed in connection with Fig. 3), it is possible to recover data relative not only to the amount of defocus (D) of an image, but also data relative to the center of a blur spot (x_o, y_o). The "blur spot" refers to the diameter of the circle an imaged object feature would make if an aperture offset from the lens axis were rotated about the lens axis. The aforementioned pupil sampling gives three unknowns to recover for every measured point: $x_o(i)$, $y_o(i)$, $D(i)$. However, the problem can be reduced to only one unknown (the

amount of defocus, $D(i)$) by capturing an on axis image with the help of the aperture 112 that is centered on the optical axis of the imaging system 100. This center image (as a reference) also facilitates fusing information together from images captured at multiple off-axis aperture positions. Furthermore, because this center image does not
5 encode depth into the image location of object features, it also allows camera path recovery and stitching together or registering images of surfaces measured at different camera positions. Thus, a center-imaging sensor in a stereo imaging system provides a reference image. While this concept has been disclosed in connection with the imaging system 100 and other imaging systems disclosed herein, such as including a rotating
10 aperture system, it should be understood that using a center image as a reference image and an off-axis image for optical wavefront and blur sampling in reference to that image can be used in any multi-sensor imaging system such as in a triplet imaging or wavefront system.

[00110] Referring to Fig. 15, a technique for orienting the pupil of an imaging
15 system, such as an imaging wand, relative to a narrow area of an object is provided. In embodiments of imaging systems, the relative orientation of pupil sampling apertures in an imaging system, such as the imaging system 100 or another imaging system, may be adjusted to minimize occlusion when capturing interproximal surfaces. In particular, apertures can be disposed off-axis to be aligned with the orientation of the
20 interproximal surface line. For example, when imaging the gap between teeth, such as using a dental imaging wand, the sensors can be aligned parallel to the gap such that all three cameras are able to observe down into the gap region. If they were located perpendicular to the gap, only one of the sensors could be located to look down into the gap. The other sensors would observe the gap from an angle and would therefore only
25 see one side of the gap or the other. Thus, in order to see into narrow areas (e.g. the interproximal gap 1502) and capture multiple (e.g., three) images without occlusion, the layout of the three apertures is aligned to the most likely relative orientation of the wand to the object. In another aspect, an additional mirror or other optical facility may be provided to dynamically or controllably re-align the ray bundles as they enter the
30 imaging system 100.

[00111] Referring to Fig. 16, in other embodiments the methods and systems provided herein enable image triplet processing based on correlation disparity. In

particular robust, high spatial resolution, and accurate image triplet processing can be performed by taking advantage of known (e.g. given by epipolar lines) disparity directions, and building on how patterns in a correlation plane are preserved when image features move across the frame. For example, referring to Fig. 16, if images from three cameras 1602, 1604 and 1608, (such as cameras sensitive to red, green and blue (RGB) images, or other sensors) are aligned collinearly, disparity detection (for example by correlation) can be performed on the R-to-G, and the 180 degree rotated R-to-B correlation fields. In this way, the R-to-G and the rotated R-to-B true correlation peaks will enhance each other, allowing smaller interrogation (search area) size to be used in the center (R) channel. This may improve robustness and/or spatial resolution. Accuracy may also be improved by enforcing correlation peak symmetry after identifying the signal peak, and performing the "backward" correlation (R-to-G and G-to-R, etc.). Thus, in an embodiment such as the embodiment of Fig. 1, registering the center image with the image from either the left or the right image takes advantage of the fact that the registered displacement of the same object feature with the opposite sensor is equidistant along a line parallel to the placement of the sensors but in the opposite direction. By reversing the sign of one of the image registrations relative to the center sensor, it can be combined with the registration of the center sensor to the opposite sensor. This provides improved accuracy and robustness to the processing of image triplets.

[00112] In embodiments, images from the three sensors are processed using a unique correlation technique that takes advantage of the third imaging sensor's location. Because the displacement of object features imaged by the third sensor are an average of feature positions recorded by the left and right sensors, image registration between the third (center) sensor and the left sensor indicates a feature displacement equal in distance but opposite in direction to that of the imaged feature displacement between the center sensor and the right sensor. By changing the sign of the displacement direction of the registration between two sensors, a more accurate measure of image disparity can be found by combining the registration between the center sensor and either the left or right sensor and the opposite sensor (right or left sensor).

[00113] In embodiments, the methods and systems disclosed herein may combine multi-view imaging with estimating the amount of defocus (blur) at the image plane. To avoid the contaminating effect of optical aberrations in capturing depth-related image motion, the system may be designed such that at a nominal working distance the object is placed in between the in-focus / reference plane of the primary optical system 102. This may result in a blurring or low pass filtering effect on the images captured through the on-axis and off-axis apertures. In order to compensate for this, and to increase optical resolution at the nominal working distance a set of refocusing lenslets may be used on the apertures to move the ray bundles back to focus without altering the path of the chief ray. Additionally, these lenses can also compensate or correct for some aperture-location-specific optical artifacts, to improve the resolving power of the optics (e.g. Modulation Transfer Function) for every aperture. However, even if the images are now in-focus at the nominal distance, narrow depth-of-field is still a problem. This can be addressed by applying other special optical elements on the apertures, such as a meso-optical element (a diffractive optical element that increases depth-of-field), or a wavefront coding element. Using these requires a special preprocessing step on the images to decode the depth or focus related data, and to construct an image that has larger depth-of-field than if it were acquired without these elements.

[00114] While the invention has been described in connection with certain preferred embodiments, other embodiments may be understood by those of ordinary skill in the art and are encompassed herein.

CLAIMS

What is claim is:

- 5 1. A camera comprising:
a primary optical facility having an optical path with a center axis;
an aperture element including a plurality of apertures for selectively
transmitting portions of the optical path to provide a plurality of optical channels;
a refocusing facility including a plurality of refocusing lenses, each one of the
10 refocusing lenses at a conjugate position in the optical path to one of the plurality of
apertures; and
a sampling facility that directs one or more of the plurality of optical channels
toward an optical sensor.
- 15 2. The camera of claim 1 wherein the optical sensor includes a sensor for each one
of the plurality of optical channels.
3. The camera of claim 1 wherein the center axis intersects one of the plurality of
apertures.
- 20 4. The camera of claim 1 wherein the center axis intersects one of the refocusing
lenses.
5. The camera of claim 1 wherein the sampling facility includes at least one prism.
- 25 6. The camera of claim 5 wherein the at least one prism includes a prism having a
hole positioned on the center axis, the hole passing a center one of the plurality of
optical channels.
- 30 7. The camera of claim 1 wherein the sampling facility includes at least one
mirror.

8. The camera of claim 7 wherein the at least one mirror includes two mirrors separated by a space that passes a center one of the plurality of optical channels.
9. The camera of claim 1 wherein at least one of the aperture element and the refocusing facility is adapted to rotate.
10. The camera of claim 1 wherein the aperture element is adapted to rotate while the refocusing facility remains stationary.
11. The camera of claim 1 wherein the aperture element includes three apertures.
12. The camera of claim 1 further comprising an image processor that processes data acquired by the optical sensor.
13. A three dimensional optical imaging system comprising:
a single primary optical facility in a primary optical path of the imaging system;
a splitting facility that samples ray bundles in the primary optical path to provide a plurality of sampled ray bundles;
at least one sensor that receives one of the plurality of sampled ray bundles; and
an image processing facility that processes an output of the at least one sensor.
14. The three dimensional optical imaging system of claim 13 wherein the plurality of sampled ray bundles includes three ray bundles, each one of the three ray bundles providing an optical channel.
15. The three dimensional optical imaging system of claim 13 wherein the at least one sensor includes three sensors, each one of the three sensors acquiring data from one of the plurality of ray bundles.
16. A three-dimensional optical imaging system comprising:
a single primary optical facility;

a pupil sampling facility at a first pupil of an optical path in the imaging system;
and
a pupil splitting facility at a second pupil of the optical path.

- 5 17. The three-dimensional optical imaging system of claim 16 wherein the pupil sampling facility includes three optical channels.
18. The three-dimensional optical imaging system of claim 17 wherein the three
10 optical channels include at least one center channel sharing an axis with a center axis of the single primary optical facility.
19. A three-dimensional optical imaging system comprising:
a primary optical facility;
an aperture element that samples a portion of a wavefront of the primary optical
15 facility to provide a sampled wavefront, the aperture element including a plurality of apertures, at least one of the apertures including a bandpass filter;
a sensor that receives a portion of the sampled wavefront; and
an image processing facility that processes an output of the sensor.
- 20 20. The three-dimensional optical imaging system of claim 19 wherein the plurality of apertures include three apertures.
21. The three-dimensional optical imaging system of claim 20 wherein a center axis
25 of the primary optical facility intersects one of the three apertures.
22. A device comprising an aperture element positioned within a primary optical facility having a center axis, the aperture element including three apertures positioned collinearly, each one of the apertures selectively transmitting a portion of an optical wavefront of the primary optical facility, thereby providing three optical channels, and
30 a center one of the apertures positioned on the center axis.

23. The device of claim 22 wherein the three apertures are substantially equally spaced apart.

24. The device of claim 22 wherein the aperture element includes one or more of a moving plate, an electronic aperture, a shutter, a shuttering aperture, an oscillating aperture, a flipping mirror, a rotating mirror, and a digital light processor.

25. The device of claim 22 wherein the aperture element is adapted to rotate on the center axis.

26. The device of claim 22 further comprising a refocusing facility having three refocusing elements located at conjugate positions to the three apertures within the primary optical facility.

27. The device of claim 26 wherein the refocusing facility is adapted to rotate on the center axis.

28. The device of claim 26 wherein the aperture element is adapted to rotate on the center axis.

29. The device of claim 28 wherein the refocusing facility is adapted to rotate in an opposite direction from the aperture element.

30. The device of claim 22 further comprising three optical sensors positioned to capture data from each of the three optical channels.

31. The device of claim 30 wherein each one of the three optical sensors includes a collection of sensors to acquire RGB data.

32. The device of claim 30 further comprising a sampling facility that redirects the three optical channels to the three optical sensors.

33. The device of claim 32 wherein the sampling facility includes two mirrors separated by a space that passes a center one of the optical channels corresponding to the center one of the apertures.

5 34. The device of claim 32 wherein the sampling facility includes three mirrors.

35. The device of claim 32 wherein the sampling facility includes at least one prism.

10 36. The device of claim 35 wherein the at least one prism includes a prism having a hole that passes a center one of the optical channels corresponding to the center one of the apertures.

15 37. A device comprising a refocusing facility positioned within a primary optical facility having a center axis, the refocusing facility including three refocusing elements positioned collinearly and substantially equally spaced, each one of the three refocusing elements refocusing a portion of an optical wavefront of the primary optical facility, and a center one of the refocusing elements positioned on the center axis.

20 38. The device of claim 37 wherein the refocusing facility is adapted to rotate on the center axis.

25 39. The device of claim 37 wherein the refocusing elements include at least one mirror.

40. The device of claim 37 wherein the refocusing elements include at least one lens.

30 41. The device of claim 37 wherein the refocusing elements include at least one meso-optical element.

42. The device of claim 37 further comprising three optical sensors positioned to capture data from each of the three optical channels.

5 43. The device of claim 42 wherein each one of the three optical sensors includes a collection of sensors to acquire RGB data.

44. A method of processing images from sensors comprising:
receiving the output of three optical sensors of an imaging system, the three
optical sensors including a center sensor that captures data from a center channel of an
10 optical path and two side sensors, each side sensor having an equal displacement with
respect to image motion within the optical path;
changing a sign of displacement direction of a registration between two of the
sensors; and
combining a registration between the center sensor and the two side sensors.

15 45. A device comprising an aperture element positioned within a primary optical facility having a center axis, the aperture element including three apertures positioned non-collinearly, each one of the apertures selectively transmitting a portion of an
20 optical wave front of the primary optical facility, thereby providing three optical channels.

46. The device of claim 45 wherein one of the three apertures is a center aperture positioned on the center axis.

25 47. The device of claim 45 further comprising a fourth aperture, the fourth aperture positioned on the center axis.

48. The device of claim 45 wherein the three apertures are substantially equally spaced apart.

30 49. The device of claim 45 wherein the three apertures form a right angle.

50. The device of claim 45 wherein two of the three apertures are one-hundred and eighty degrees apart with respect to the center axis of the primary optical facility.

5 51. The device of claim 45 wherein the aperture element includes one or more of a moving plate, an electronic aperture, a shutter, a shuttering aperture, an oscillating aperture, a flipping mirror, a rotating mirror, and a digital light processor.

10 52. The device of claim 45 wherein the aperture element is adapted to rotate on the center axis.

53. The device of claim 45 further comprising a refocusing facility having three refocusing elements located at conjugate positions to the three apertures within the primary optical facility.

15 54. The device of claim 53 wherein the refocusing facility is adapted to rotate on the center axis.

20 55. The device of claim 53 wherein the aperture element is adapted to rotate on the center axis.

56. The device of claim 55 wherein the refocusing facility is adapted to rotate in an opposite direction from the aperture element.

25 57. The device of claim 45 further comprising three optical sensors positioned to capture data from each of the three optical channels.

58. The device of claim 57 wherein each one of the three optical sensors includes a collection of sensors to acquire RGB data.

30 59. The device of claim 57 further comprising a sampling facility that redirects the three optical channels to the three optical sensors.

60. The device of claim 59 wherein the sampling facility includes two mirrors separated by a space that passes a center one of the optical channels corresponding to a center one of the apertures.
- 5 61. The device of claim 59 wherein the sampling facility includes three mirrors.
62. The device of claim 59 wherein the sampling facility includes at least one prism.
- 10 63. The device of claim 62 wherein the at least one prism includes a prism having a hole that passes a center one of the optical channels corresponding to a center one of the apertures.
64. A device comprising a refocusing facility positioned within a primary optical
15 facility having a center axis, the refocusing facility including three refocusing elements positioned collinearly and substantially equally spaced, each one of the three refocusing elements refocusing a portion of an optical wave front of the primary optical facility, and a center one of the refocusing elements positioned on the center axis.
- 20 65. The device of claim 64 wherein the refocusing facility is adapted to rotate on the center axis.
66. The device of claim 64 wherein the refocusing elements include at least one
25 mirror.
67. The device of claim 64 wherein the refocusing elements include at least one lens.
68. The device of claim 64 wherein the refocusing elements include at least one
30 meso-optical element.

69. The device of claim 64 further comprising three optical sensors positioned to capture data from each of the three optical channels.

5 70. The device of claim 69 wherein each one of the three optical sensors includes a collection of sensors to acquire RGB data.

71. An optical imaging system, comprising:
a single primary optical facility;
a refocusing facility in a primary optical path of the optical imaging system to
10 sample one or more portions of an optical wavefront that pass through the single
primary optical facility, and to focus the optical wavefront onto an image plane;
a moving aperture element at a conjugate position to the refocusing facility;
a splitting facility that splits the one or more portions of the optical wavefront;
at least one sensor that receives at least one of the one or more portions of the
15 optical wavefront;
an image processing facility that processes an output of the at least one sensor;
and
a feedback facility that controls at least one of the moving aperture element and
the refocusing facility based on the output of the at least one sensor.

20 72. The system of claim 71 further comprising one or more relay lenses that relay ray bundles.

25 73. The system of claim 71 wherein the single primary optical facility includes a lens.

74. The system of claim 71 wherein the single primary optical facility includes a set of mirrors.

30 75. The system of claim 71 wherein the single primary optical facility is an electronic optical facility.

76. The system of claim 75 wherein the electronic optical facility includes a liquid crystal display.

5 77. The system of claim 75 wherein the electronic optical facility includes a flipping mirror.

78. The system of claim 71 wherein the refocusing facility includes three refocusing elements.

10 79. The system of claim 78 wherein the three refocusing elements are disposed collinearly off the axis of the primary optical path.

80. The system of claim 78 wherein the three refocusing elements are disposed in a triangle.

15 81. The system of claim 80 wherein the triangle is a right triangle.

82. The system of claim 71 wherein the refocusing facility includes two refocusing lenses.

20 83. The system of claim 71 wherein the refocusing facility is a rotating refocusing facility.

25 84. The system of claim 83 wherein the refocusing facility is adapted to rotate in synchronization with a rotation of the moving aperture element.

85. The system of claim 71 wherein the refocusing facility is a mirror-based refocusing facility.

30 86. The system of claim 71 wherein the refocusing facility is disposed behind the single primary optical facility.

87. The system of claim 71 wherein the refocusing facility is disposed in front of the single primary optical facility.

5 88. The system of claim 71 wherein the refocusing facility is within the primary optical facility.

89. The system of claim 71 wherein the moving aperture element is adapted to rotate.

10 90. The system of claim 71 wherein the moving aperture element includes three apertures that correspond to three refocusing lenses of the refocusing facility.

15 91. The system of claim 90 wherein the three apertures are disposed collinearly off the axis of the primary optical path.

92. The system of claim 90 wherein the three apertures are disposed in a triangle.

93. The system of claim 92 wherein the triangle is a right triangle.

20 94. The system of claim 71 wherein the moving aperture element is adapted to rotate in synchronization with a rotation of the refocusing facility.

25 95. The system of claim 94 wherein the moving aperture element is adapted to rotate in a direction of the rotation of the refocusing facility.

96. The system of claim 94 wherein the moving aperture element is adapted to rotate in an opposite direction of the rotation of the refocusing facility.

30 97. The system of claim 71 wherein the moving aperture element is in front of the single primary optical facility in the primary optical path.

98. The system of claim 71 wherein the moving aperture element is behind the single primary optical facility in the primary optical path.

5 99. The system of claim 71 wherein the moving aperture element is located at a pupil of the system.

100. The system of claim 71 wherein at least one aperture of the moving aperture element is located on an axis of the primary optical path.

10 101. The system of claim 71 wherein the moving aperture element is a rotating aperture element, and wherein at least one aperture of the moving aperture element does not move relative to an axis of the primary optical path during a rotation of the moving aperture element.

15 102. The system of claim 71 wherein an image passing through at least one aperture of the moving aperture element provides a fixed reference.

20 103. The system of claim 71 wherein the splitting facility includes a pupil splitting facility.

104. The system of claim 71 wherein the splitting facility includes a pupil sampling facility.

25 105. The system of claim 71 wherein the splitting facility includes a polarizing splitter.

106. The system of claim 71 wherein the splitting facility includes a prism.

30 107. The system of claim 71 wherein the splitting facility includes a pair of mirrors.

108. The system of claim 107 wherein the pair of mirrors a separated by a space that allows a central channel of an image to pass directly to a sensor.

109. The system of claim 71 wherein the splitting facility includes a mirror with a transmissive portion that permits a portion of an image to pass through a portion of the mirror.

5

110. The system of 1 further comprising three sensors disposed in conjunction with three ray bundles that correspond to three apertures of the moving aperture element.

10

111. The system of claim 72 further comprising two sensors including a first sensor disposed as a rear channel along a central axis of the primary optical path and a second sensor disposed off-axis relative to the central axis of the primary optical path.

112. The system of claim 71 wherein the at least one sensor consists of one sensor.

15

113. The system of claim 112 wherein the one sensor is an RGB sensor.

114. The system of claim 112 wherein the one sensor includes a plurality of sensor elements, each one of the plurality of sensor elements being selectively responsive to particular wavelengths of light.

20

115. The system of claim 71 wherein the image processing facility includes a camera.

25

116. The system of claim 71 wherein the image processing facility includes a machine vision system.

117. The system of claim 71 wherein the image processing facility includes a motion detection system.

30

118. The system of claim 71 wherein the image processing facility includes a three dimensional imaging facility.

119. The system of claim 71 wherein the image processing facility includes a medical imaging facility.

5 120. The system of claim 71 wherein the image processing facility includes a dental imaging facility.

121. The system of claim 71 wherein the image processing facility performs triplet image processing based on spatio-temporal processing.

10 122. The system of claim 71 wherein the image processing facility performs correlation-based image processing.

123. The system of claim 71 wherein the image processing facility performs disparity-based image processing.

15 124. The system of claim 71 wherein the image processing facility is capable of performing velocimetry.

20 125. The system of claim 71 wherein the refocusing facility is disposed in front of the single primary optical facility in the primary optical path.

126. The system of claim 71 further comprising a masking element adapted to move in synchronization with the moving aperture element.

25 127. The system of claim 71 wherein the system is used to correct aberrations in optical image data.

30 128. A three-dimensional optical imaging system comprising:
a single primary optical facility;
a splitting facility that samples portions of a pupil of the imaging system to provide a plurality of sampled portions of an optical wavefront;

a set of three or more sensors that receives respective ones of the plurality of sampled portions; and
an image processing facility that processes an output of the sensors.

5 129. A three-dimensional optical imaging system comprising:
a single primary optical facility in a primary optical path of the imaging system;
and
a refocusing facility in the primary optical path, the refocusing facility adapted
to sample a portion of a wavefront that passes through the primary optical facility.

10

130. An optical imaging system comprising:
a single primary optical facility in a primary optical path of the imaging system;
a refocusing facility in the primary optical path, the refocusing facility adapted
to sample a portion of a wavefront that passes through the primary optical facility;
15 a moving aperture element that samples the portion of the wavefront to provide
a sampled wavefront;
at least one sensor that receives the sampled wavefront; and
an image processing facility that processes an output of the at least one sensor.

15

20 131. An optical imaging system comprising:
a moving aperture element that samples a portion of a wavefront to provide a
sampled wavefront;
at least one sensor that receives the sampled wavefront; and
an image processing facility that processes an output of the at least one sensor.

25

132. A three-dimensional optical imaging system comprising:
a moving aperture element that samples a portion of a wavefront, the moving
aperture element located at a pupil of a primary optical path of the imaging system, the
moving aperture element including at least one aperture located on an axis of the
30 primary optical path;
at least one sensor that receives a sampled portion of the wavefront; and

30

an image processing facility that processes the output of the one or more sensors.

133. A three-dimensional optical imaging system comprising:

5 an aperture element that samples a portion of a wavefront in the imaging system, the aperture element located in a primary optical path of the imaging system at a pupil of the primary optical path, the aperture element including a plurality of apertures that are disposed linearly with respect to each other.

10 134. A three-dimensional optical imaging system comprising:

a single primary optical facility;

a rotating aperture element that samples a portion of a wavefront in the imaging system to provide a sampled wavefront, the rotating aperture element being located in a primary optical path of the imaging system at a pupil of the primary optical path;

15 at least one sensor that senses a portion of the sampled wavefront; and

an image processing system that processes an output of the at least one sensor.

135. An optical imaging system comprising:

20 a single primary optical facility within a primary optical path of an imaging system;

a refocusing facility in the primary optical path to sample a portion of a wavefront in the primary optical path;

a moving aperture element that samples a portion of the wavefront in the primary optical path;

25 a splitting facility that splits portions of a pupil within the primary optical path;

a sensor that receives the wavefront after the refocusing facility, the moving aperture, and the splitting facility; and

an image processing facility that processes an output of the sensor.

30 136. An optical imaging system comprising:

a single primary optical facility in a primary optical path of the imaging system;

a refocusing facility in the primary optical path to sample a portion of a wavefront in the primary optical path;

5 a multi-aperture element adapted to receive the wavefront from the refocusing facility and to sample the received wavefront, the multi-aperture element including a plurality of apertures;

a splitting facility that splits portions of a pupil in the primary optical path to provide a plurality of sampled wavefronts;

10 a sensor that receives one or more of the plurality of sampled wavefronts, wherein the sensor is adapted to receive sampled wavefronts from at least two of the plurality of apertures simultaneously; and

an image processing facility that processes the output of the one or more sensors.

137. A method of processing images from sensors comprising:

15 receiving the output of three optical sensors of an imaging system, the three optical sensors including a center sensor that captures data from a center channel of an optical path and two side sensors, each side sensor having an equal displacement with respect to image motion within the optical path;

20 changing a sign of displacement direction of a registration between two of the sensors; and

combining a registration between the center sensor and the two side sensors.

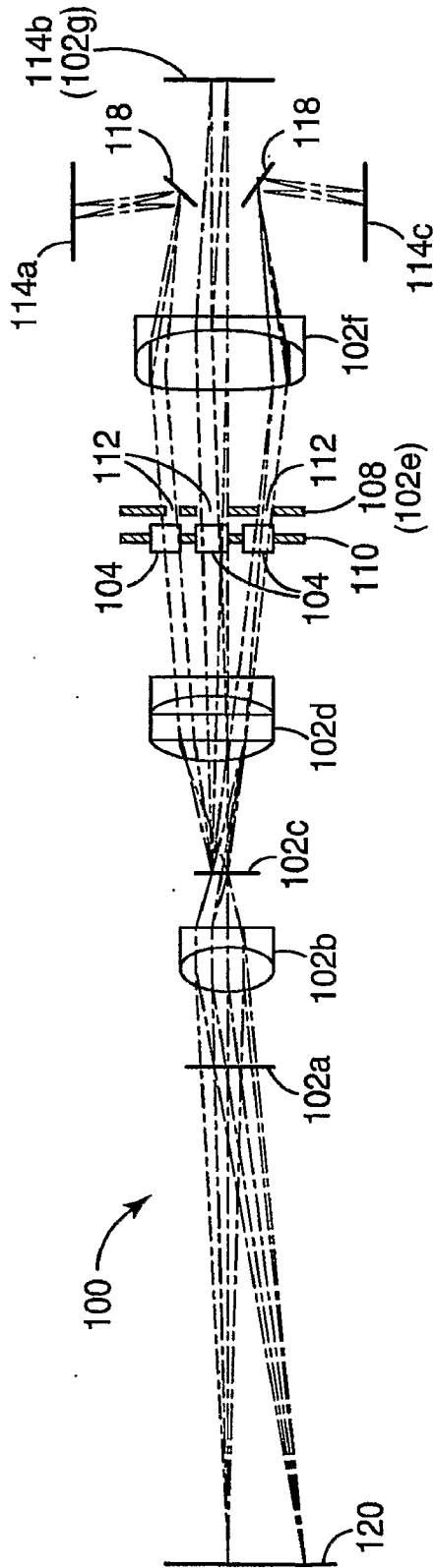


Fig. 1

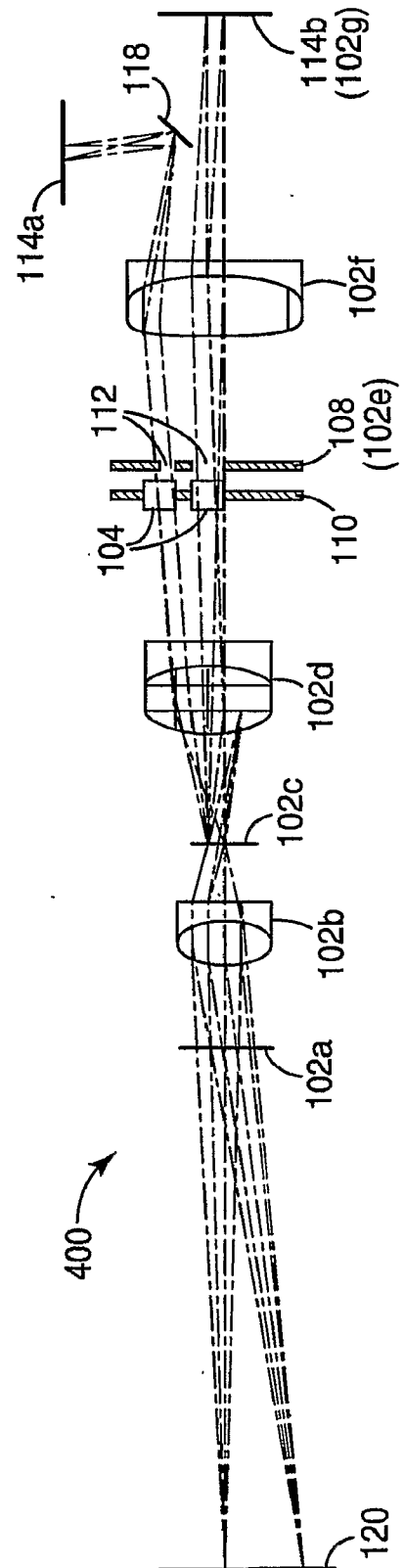


Fig. 4

2/10

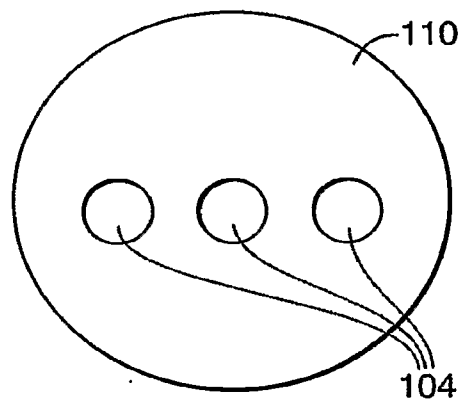


Fig. 2

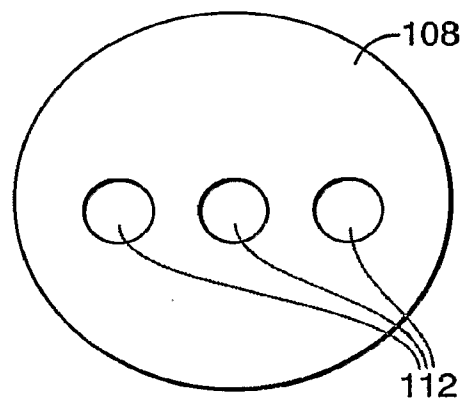


Fig. 3

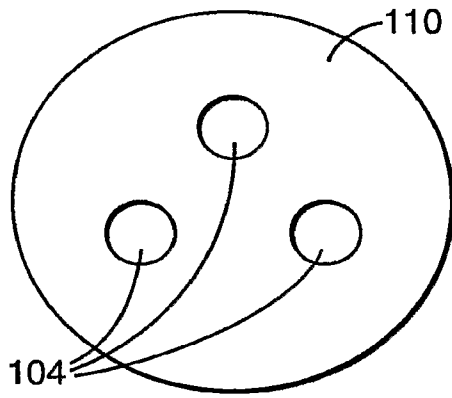


Fig. 5A

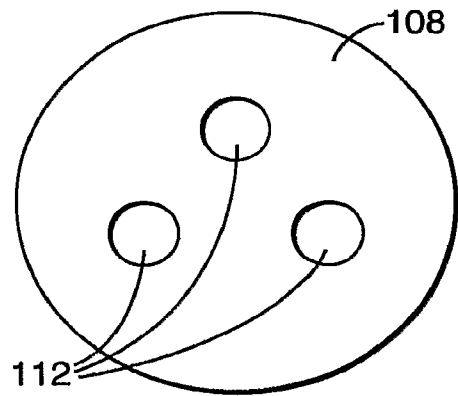


Fig. 5B

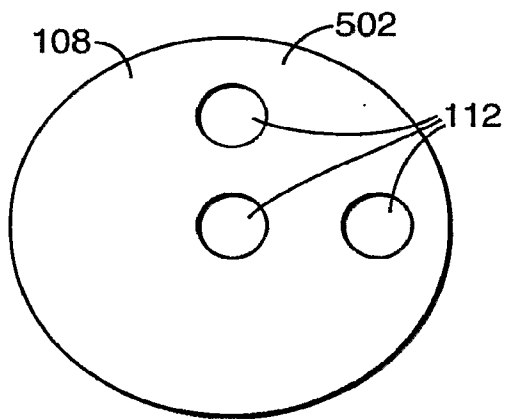


Fig. 5C

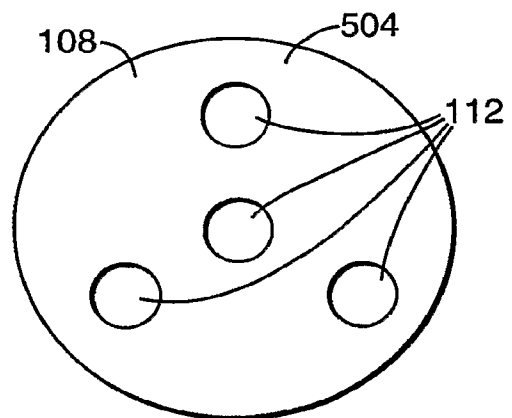


Fig. 5D

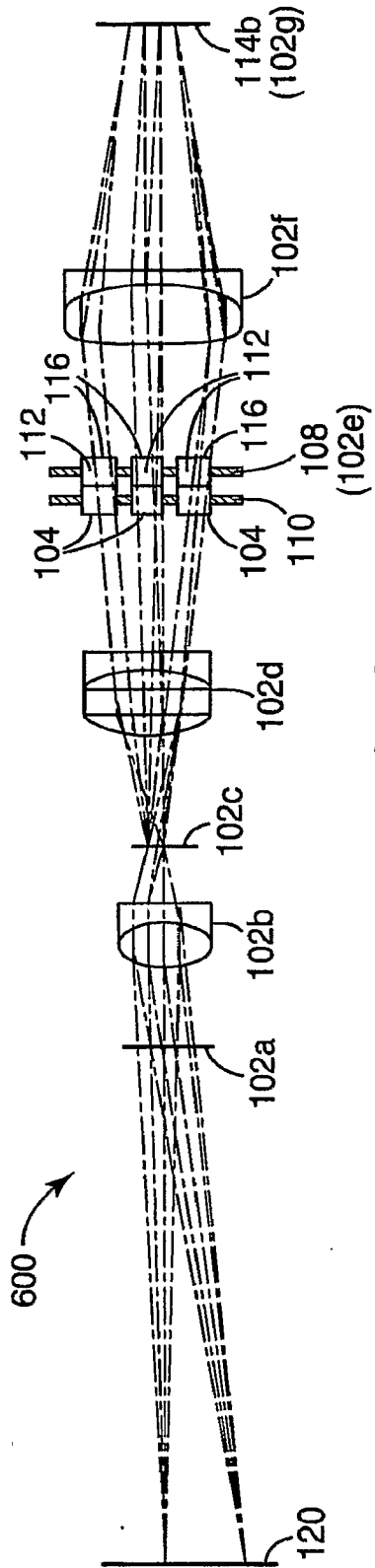


Fig. 6

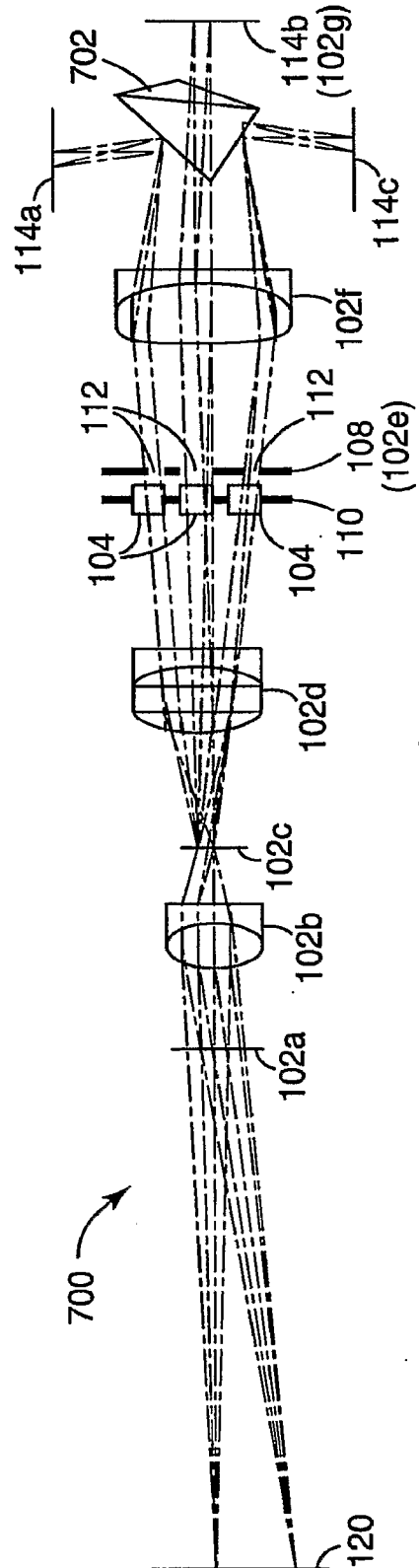


Fig. 7

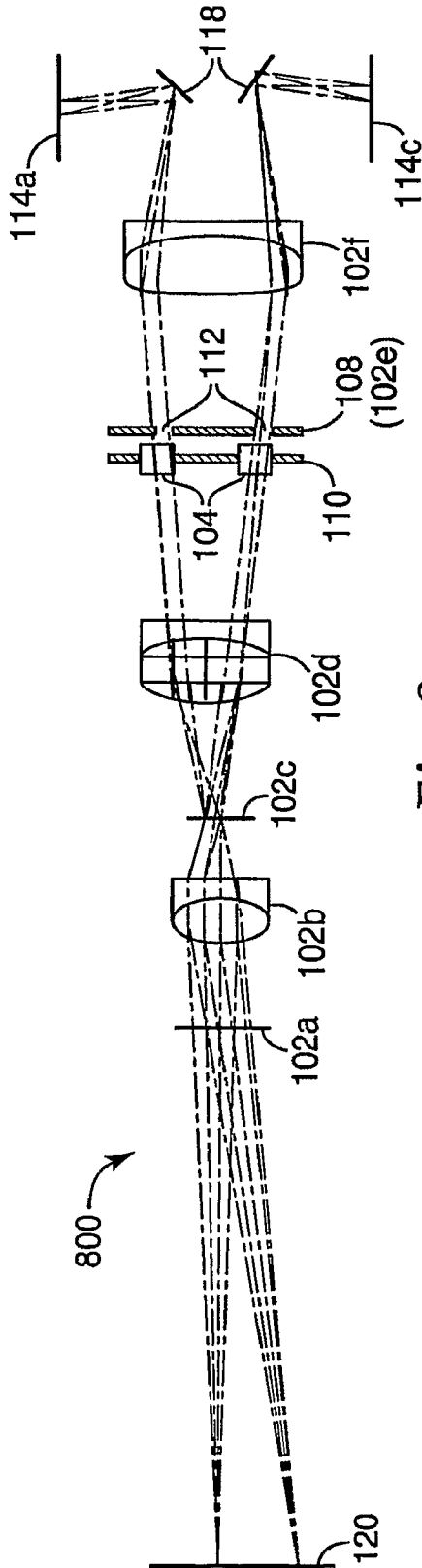


Fig. 8

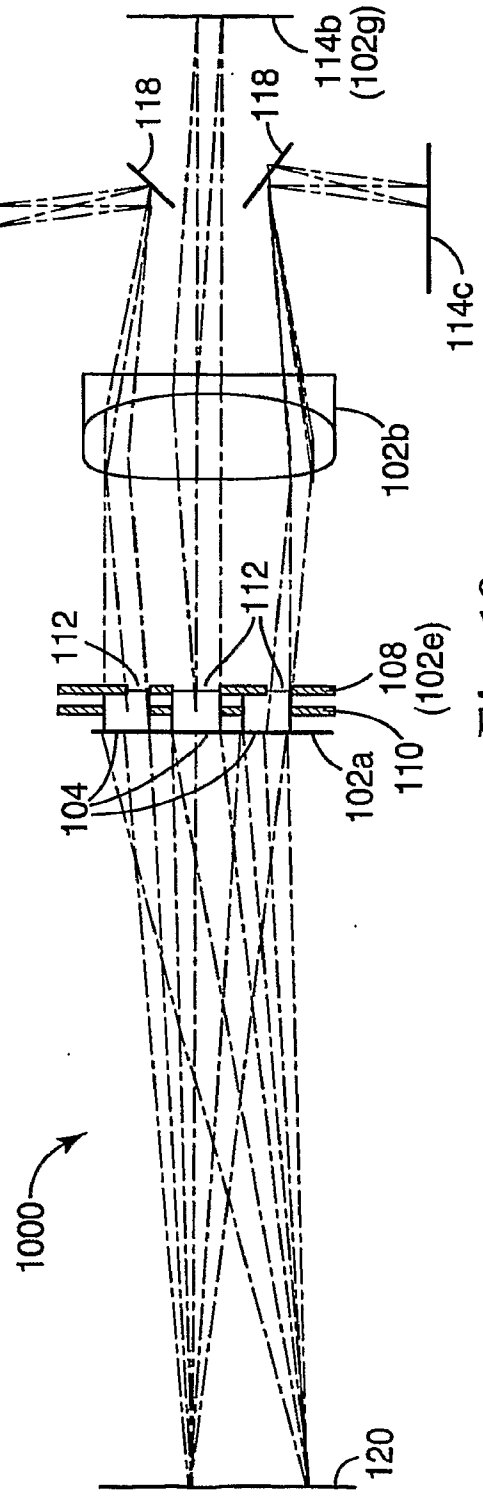


Fig. 10

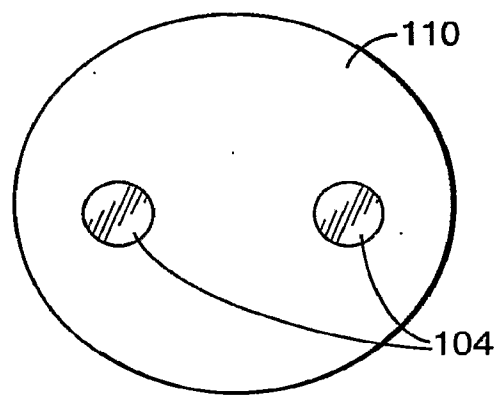


Fig. 9A

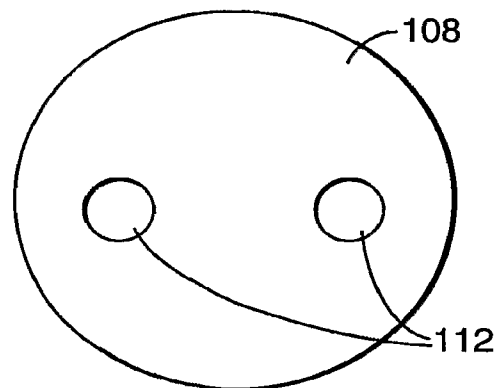


Fig. 9B

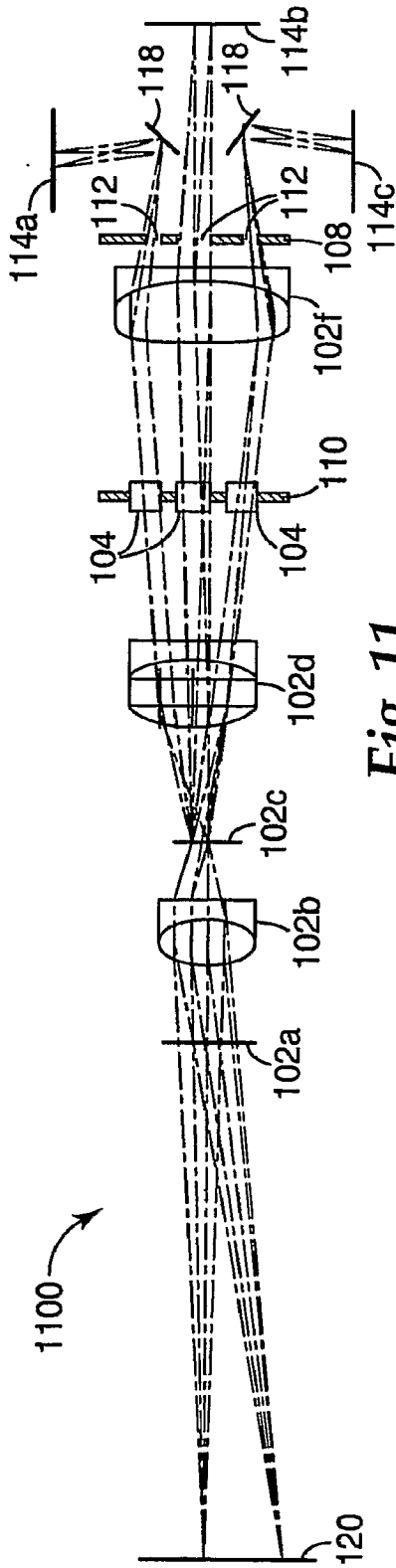


Fig. 11

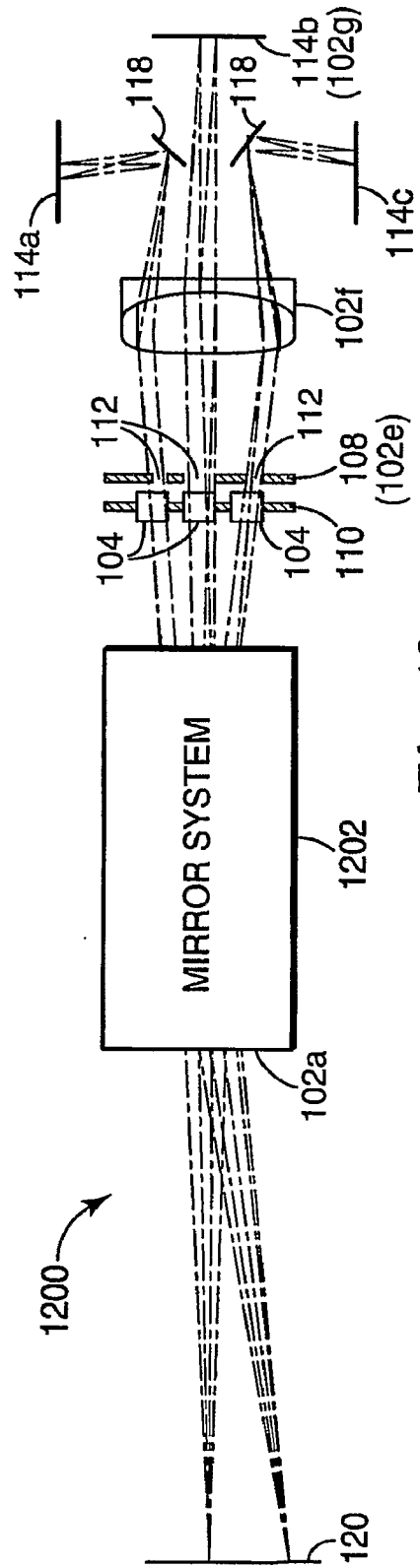


Fig. 12

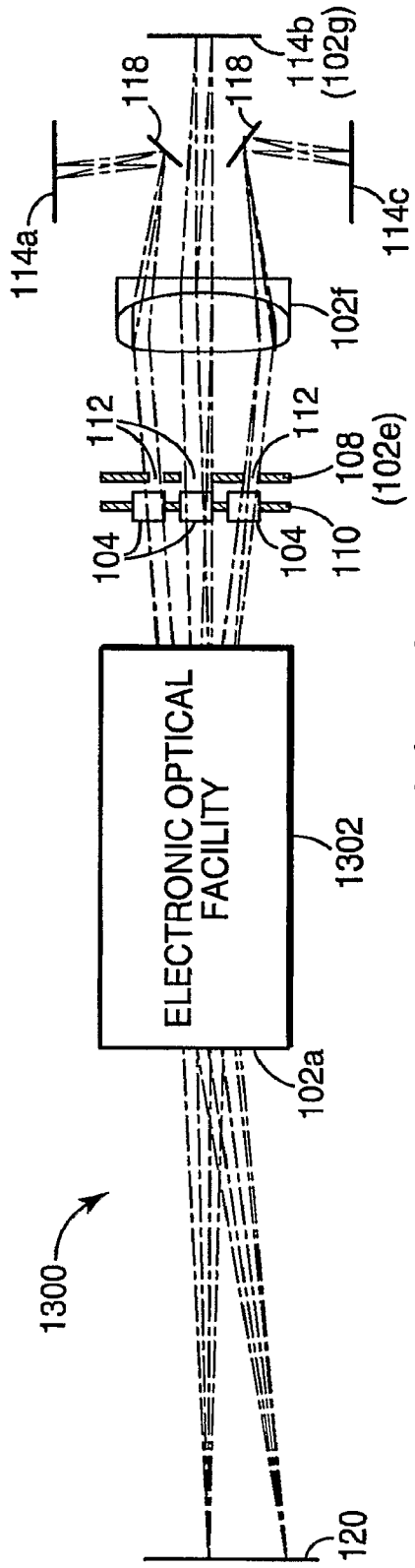


Fig. 13

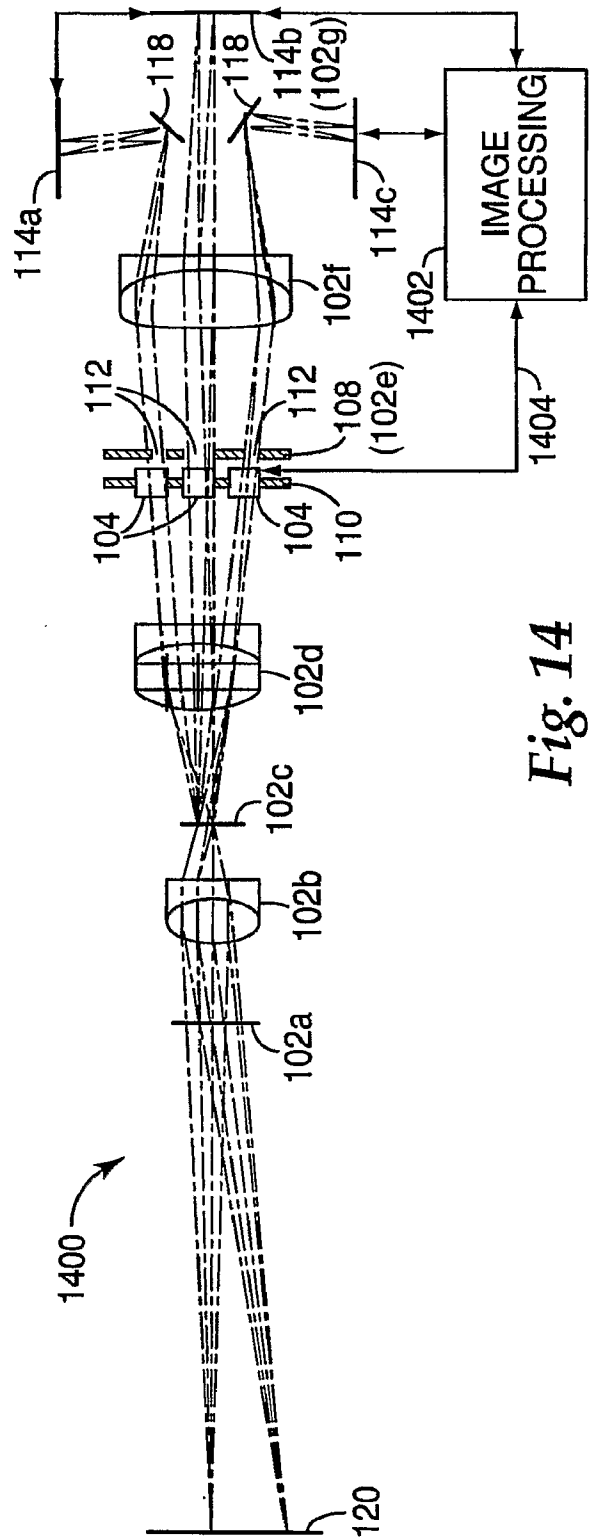


Fig. 14

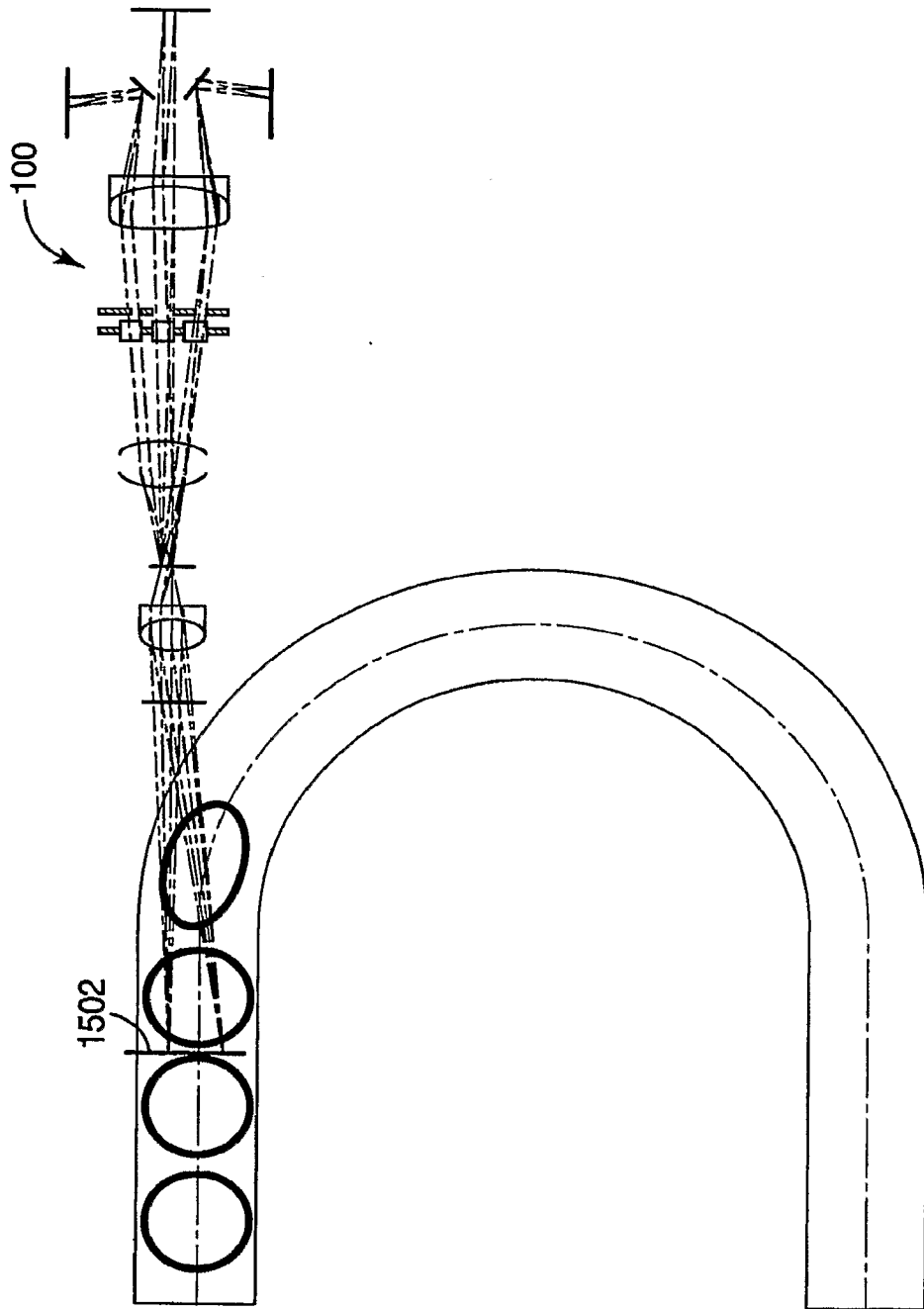


Fig. 15

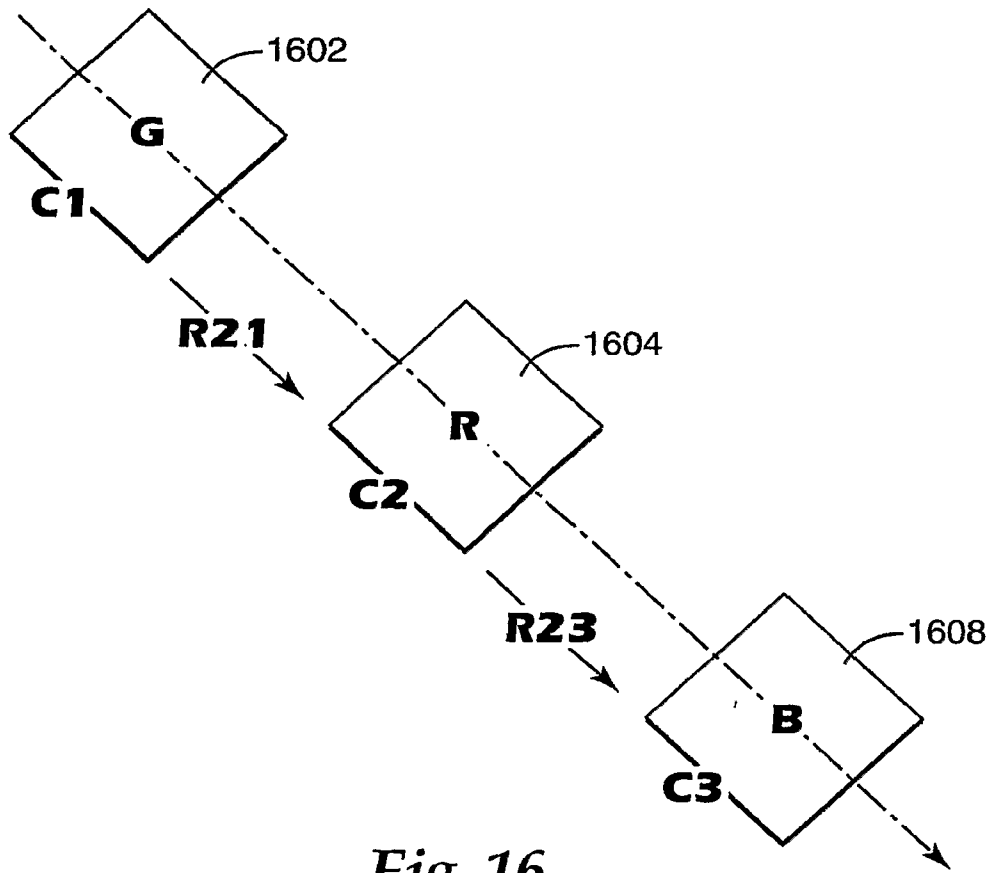


Fig. 16

A. CLASSIFICATION OF SUBJECT MATTER**G03B 35/10(2006.01)i, G03B 35/00(2006.01)i**

According to International Patent Classification (IPC) or to both national classification and IPC

B. FIELDS SEARCHED

Minimum documentation searched (classification system followed by classification symbols)

IPC8: A61B 3/14, G01C 21/24, G02B 9/00, G03B 21/00, G03B 21/14, G03F 9/00, G02B 15/14, G02B 17/00

Documentation searched other than minimum documentation to the extent that such documents are included in the fields searched

Korean Utility Models and Applications for Utility Models since 1975

Japanese Utility Models and Applications for Utility Models since 1975

Electronic data base consulted during the international search (name of data base and, where practicable, search terms used)

eKIPASS(KIPO internal) & Keywords: "aperture", "conjugate", "sensor", "image", "process" and similar terms

C. DOCUMENTS CONSIDERED TO BE RELEVANT

Category*	Citation of document, with indication, where appropriate, of the relevant passages	Relevant to claim No.
A	US 6921169 B2 (WEI SU et al.) 26 JULY 2005 See Column 7, Line 2 - Column 9, Line 61 and Figures 2, 2a.	1-12
A	US 6975898 B2 (ERIC J. SEIBEL) 13 DECEMBER 2005 See the whole document.	13-15, 135
A	US 6777658 B2 (ROBERT J. ATMUR) 17 AUGUST 2004 See Column 3, Line 47 - Column 5, Line 28 and Figure 1.	16-18
A	US 6914727 B2 (HIROYUKI KARASAWA) 05 JULY 2005 See the whole document.	19-21
A	US 6877865 B2 (R. EDWARD ENGLISH, JR. et al.) 12 APRIL 2005 See Column 3, Line 20 - Column 4, Line 41 and Figure 1.	22-36, 45-63
A	US 6910773 B2 (TSUTOMU NAKASHIMA et al.) 28 JUNE 2005 See Column 19, Line 1 - Column 20, Line 51 and Figure 10.	37-43, 64-70
A	US 6387579 B1 (MARC VERNACKT) 14 MAY 2002 See the whole document.	44, 137

 Further documents are listed in the continuation of Box C. See patent family annex.

* Special categories of cited documents:

"A" document defining the general state of the art which is not considered to be of particular relevance

"E" earlier application or patent but published on or after the international filing date

"L" document which may throw doubts on priority claim(s) or which is cited to establish the publication date of citation or other special reason (as specified)

"O" document referring to an oral disclosure, use, exhibition or other means

"P" document published prior to the international filing date but later than the priority date claimed

"T" later document published after the international filing date or priority date and not in conflict with the application but cited to understand the principle or theory underlying the invention

"X" document of particular relevance; the claimed invention cannot be considered novel or cannot be considered to involve an inventive step when the document is taken alone

"Y" document of particular relevance; the claimed invention cannot be considered to involve an inventive step when the document is combined with one or more other such documents, such combination being obvious to a person skilled in the art

"&" document member of the same patent family

Date of the actual completion of the international search

25 JULY 2007 (25.07.2007)

Date of mailing of the international search report

25 JULY 2007 (25.07.2007)

Name and mailing address of the ISA/KR

Korean Intellectual Property Office
920 Dunsan-dong, Seo-gu, Daejeon 302-701,
Republic of Korea

Facsimile No. 82-42-472-7140

Authorized officer

JUNG, JIN SOO

Telephone No. 82-42-481-8283



INTERNATIONAL SEARCH REPORT

International application No.

PCT/US2007/003947

C (Continuation). DOCUMENTS CONSIDERED TO BE RELEVANT		
Category*	Citation of document, with indication, where appropriate, of the relevant passages	Relevant to claim No.
A X	US 6859332 B2 (TETSUO NAGATA et al.) 22 FEBRUARY 2005 See the whole document.	71-127, 130 131
A	US 6801370 B2 (KENTARO SEKIYAMA et al.) 05 OCTOBER 2004 See Column 10, Line 27 - Column 12, Line 28 and Figures 1, 2.	128
X	US 6618558 B2 (TAKASHI ENOMOTO) 09 SEPTEMBER 2003 See Column 3, Line 55 - Column 3, Line 65 and Figure 13.	129
A	US 6115059 A (JUNG YOUNG SON et al.) 05 SEPTEMBER 2000 See the whole document.	132
A	US 6885486 B2 (KAZUMI KIMURA) 26 APRIL 2005 See Column 1, Line 22 - Column 2, Line 26 and Figure 13.	133
A	US 6522473 B2 (TETSUhide TAKEYAMA) 18 FEBRUARY 2003 See Column 13, Line 65 - Column 16, Line 12 and Figure 8.	134
A	US 5835228 A (MASAHIDE OKAZAKI et al.) 10 NOVEMBER 1998 See the whole document.	136

Box No. II Observations where certain claims were found unsearchable (Continuation of item 2 of first sheet)

This international search report has not been established in respect of certain claims under Article 17(2)(a) for the following reasons:

1. Claims Nos.:
because they relate to subject matter not required to be searched by this Authority, namely:

2. Claims Nos.:
because they relate to parts of the international application that do not comply with the prescribed requirements to such an extent that no meaningful international search can be carried out, specifically:

3. Claims Nos.:
because they are dependent claims and are not drafted in accordance with the second and third sentences of Rule 6.4(a).

Box No. III Observations where unity of invention is lacking (Continuation of item 3 of first sheet)

This International Searching Authority found multiple inventions in this international application, as follows:

Group 1: claims 1-12, Group 2: claims 13-15, Group 3: claims 16-18, Group 4: claims 19-21, Group 5: claims 22-36, Group 6: claims 37-43 and 64-70, Group 7: claims 45-63, Group 8: claims 71-127, Group 9: claim 128, Group 10: claim 129, Group 11: claim 130, Group 12: claim 134, Group 13: claim 135, Group 14: claim 136, Group 15: claims 44 and 137, Group 16: claim 131, Group 17: claim 132, and Group 18: claim 133.

The inventions listed as Groups 1-18 are not so linked as to form a single general inventive concept (PCT Rule 13. 1).

1. As all required additional search fees were timely paid by the applicant, this international search report covers all searchable claims.
2. As all searchable claims could be searched without effort justifying an additional fee, this Authority did not invite payment of any additional fee.
3. As only some of the required additional search fees were timely paid by the applicant, this international search report covers only those claims for which fees were paid, specifically claims Nos.:

4. No required additional search fees were timely paid by the applicant. Consequently, this international search report is restricted to the invention first mentioned in the claims; it is covered by claims Nos.:

Remark on Protest

- The additional search fees were accompanied by the applicant's protest and, where applicable, the payment of a protest fee.
- The additional search fees were accompanied by the applicant's protest but the applicable protest fee was not paid within the time limit specified in the invitation.
- No protest accompanied the payment of additional search fees.

INTERNATIONAL SEARCH REPORT

Information on patent family members

International application No.

PCT/US2007/003947

Patent document cited in search report	Publication date	Patent family member(s)	Publication date
US 6921169 B2	26.07.2005	US20040196432A1	07.10.2004
		US2005237486AA	27.10.2005
		US2007030446AA	08.02.2007
		US7121665BB	17.10.2006
US 6975898 B2	13.12.2005	US20010055462A1	27.12.2001
		US2002064341A1	30.05.2002
		US2004122328A1	24.06.2004
		US2004254474A1	16.12.2004
		US2006170930AA	03.08.2006
		US6856712BB	15.02.2005
US 6777658 B2	17.08.2004	US2004041076A1	04.03.2004
US 6914727 B2	05.07.2005	US20030164446A1	04.09.2003
US 6877865 B2	12.04.2005	US20030142276A1	31.07.2003
		US2005151939A1	14.07.2005
		US7008065BB	07.03.2006
US 6910773 B2	28.06.2005	US20040066492A1	08.04.2004
		US2005237489AA	27.10.2005
		US7066600BB	27.06.2006
US 6387579 B1	14.05.2002	EP01130473A2	05.09.2001
		US2001053487AA	20.12.2001
		US2001053488AA	20.12.2001
		US6369877BB	09.04.2002
		US6376134BB	23.04.2002
US 6859332 B2	22.02.2005	US20040066561A1	08.04.2004
US 6801370 B2	05.10.2004	JP15107355	09.04.2003
		US20030107823A1	12.06.2003
US 6618558 B2	09.09.2003	JP15075721	12.03.2003
		US20030049026A1	13.03.2003
US 6115059 A	05.09.2000	JP10215465A2	11.08.1998
		JP2941752B2	30.08.1999
		KR100220888B1	15.09.1999
		KR1019980066053	15.10.1998
US 6885486 B2	26.04.2005	US2004051922A1	18.03.2004

INTERNATIONAL SEARCH REPORT

Information on patent family members

International application No.

PCT/US2007/003947

Patent document cited in search report	Publication date	Patent family member(s)	Publication date
US 6522473 B2	18.02.2003	JP14098929 US20020060850A1	05.04.2002 23.05.2002
US 5835228 A	10.11.1998	EP00785447A2 EP785447A3 JP09196848 JP09200631 JP09203862 JP3361003B2 JP3447877B2 JP3658068B2 JP9196848A2 JP9200631A2 JP9203862A2	23.07.1997 25.11.1998 31.07.1997 31.07.1997 05.08.1997 07.01.2003 16.09.2003 08.06.2005 31.07.1997 31.07.1997 05.08.1997