



(12) **United States Design Patent**
Fang

(10) **Patent No.:** **US D1,060,880 S**
(45) **Date of Patent:** **** Feb. 4, 2025**

(54) **PET COLLAR**

(71) Applicant: **Zhongshuo Fang**, Guangzhou (CN)
(72) Inventor: **Zhongshuo Fang**, Guangzhou (CN)
(73) Assignee: **Zhongshuo Fang**, Guangzhou (CN)
(**) Term: **15 Years**
(21) Appl. No.: **29/932,055**

(22) Filed: **Mar. 11, 2024**
(51) **LOC (15) Cl.** **30-04**
(52) **U.S. Cl.**
USPC **D30/152**
(58) **Field of Classification Search**
USPC D30/151, 152, 153, 155, 199; D10/32,
D10/104.1, 104.2; D24/190; D2/628,
D2/635, 894, 895; D11/208, 218;
D29/100, 101.1, 101.2
CPC .. A01K 27/008; A01K 27/006; A01K 27/001;
A01K 27/003; A01K 27/004
See application file for complete search history.

(56) **References Cited**

U.S. PATENT DOCUMENTS

D338,747	S	*	8/1993	Miller	D30/152
D510,290	S	*	10/2005	Hardy	D11/3
D645,213	S	*	9/2011	Silverman	D30/152
D651,365	S	*	12/2011	Marschke	D30/152
D809,718	S	*	2/2018	Martin, Jr.	D30/152
D963,959	S	*	9/2022	Huang	D30/152
D984,064	S		4/2023	Hill		
D1,004,856	S	*	11/2023	Mu	D30/152
D1,007,774	S	*	12/2023	Durrant	D30/152
2009/0235874	A1	*	9/2009	Sullivan	A01K 27/001
						119/864
2010/0024744	A1	*	2/2010	Baillie	A01K 27/001
						119/858
2012/0192811	A1	*	8/2012	Robinson	A01K 27/001
						119/862
2014/0366814	A1	*	12/2014	Ritzdorf	A01K 27/001
						119/856
2017/0295754	A1	*	10/2017	Hiers	A01K 27/001

OTHER PUBLICATIONS

“Mayerzon: Martingale, No-Pull Prong Collar”. Found online Jul. 24, 2024 at amazon.com. Reference dated Feb. 10, 2024. Retrieved from <https://www.amazon.com/Mayerzon-Martingale-Adjustable-Rottweiler-Reflective/dp/B0CPWNFQJD/>.
“Mayerzon: Martingale, No-Pull Prong Collar with Training Lead”. Found online Jul. 9, 2024 at amazon.com. Reference dated Jun. 1, 2023. Retrieved from https://www.amazon.com/dp/B0BXRZ25SV/ref=twister_B0B7S1WQZ9/.
“Guardian Gear: Martingale Chain Collar”. Found online Sep. 7, 2017 at amazon.com. Reference dated Apr. 29, 2008. Retrieved from <https://www.amazon.com/Guardian-Choke-Style-Adjustable-Martingale-Collar/dp/B000Q38RZE/>.
“ATO-DJXC: Martingale Prong Collar”. Found online Jul. 5, 2024 at amazon.com. Reference dated Jun. 16, 2022. Retrieved from <https://www.amazon.com/ATO-DJXC-Reflective-Covered-Adjustable-Training/dp/B0B49K5Y9V/?th=1>.

* cited by examiner

Primary Examiner — Kendra Leslie Hamilton

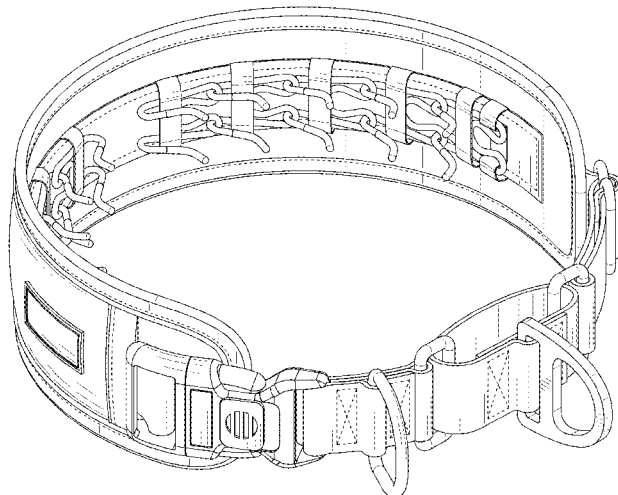
(57) **CLAIM**

The ornamental design for a pet collar, as shown and described.

DESCRIPTION

FIG. 1 is a top perspective view of a pet collar, showing my new design;
FIG. 2 is a bottom perspective view thereof;
FIG. 3 is a front view thereof;
FIG. 4 is a rear view thereof;
FIG. 5 is a left side view thereof;
FIG. 6 is a right side view thereof;
FIG. 7 is a top view thereof; and,
FIG. 8 is a bottom view thereof.
The broken lines on the pet collar depict stitching that forms no part of the claimed design.

1 Claim, 8 Drawing Sheets



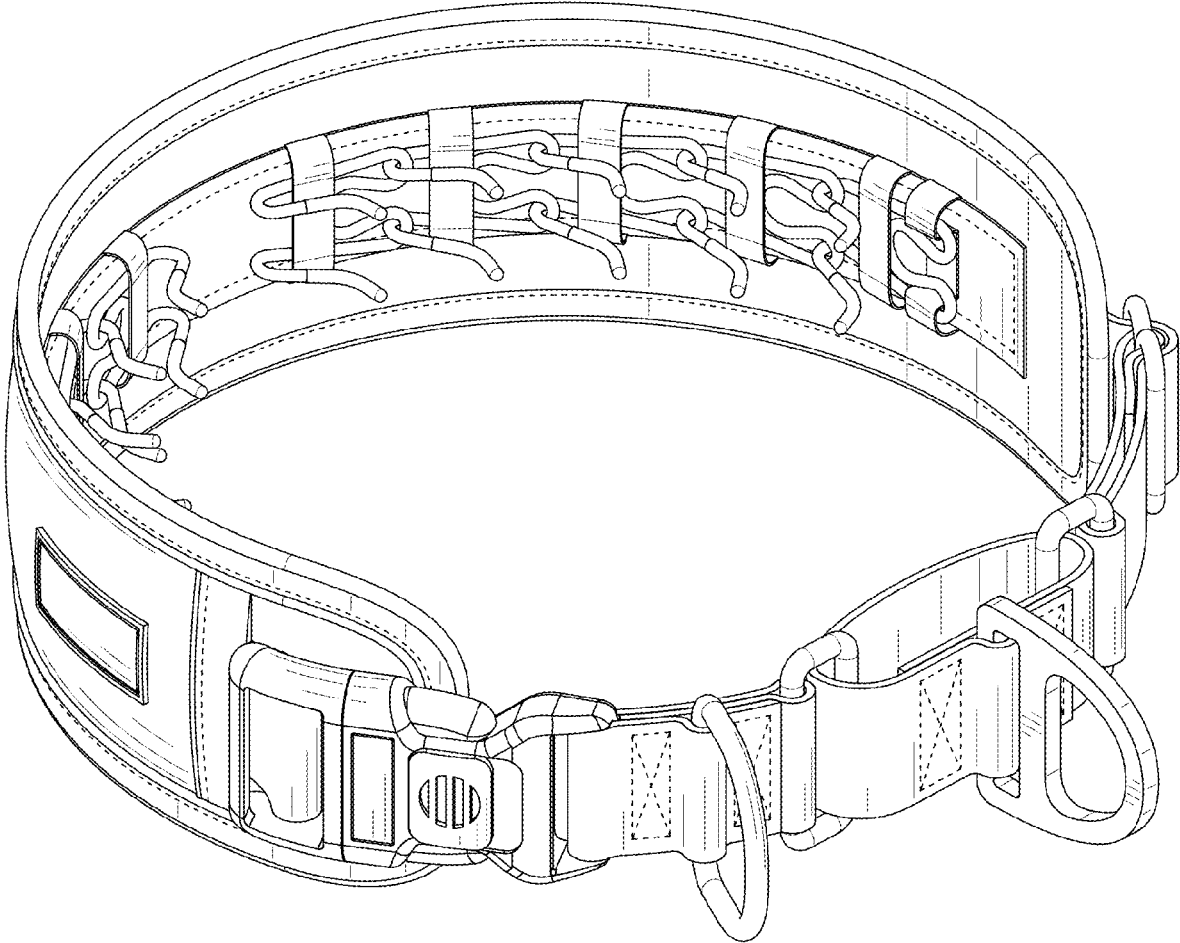


FIG. 1

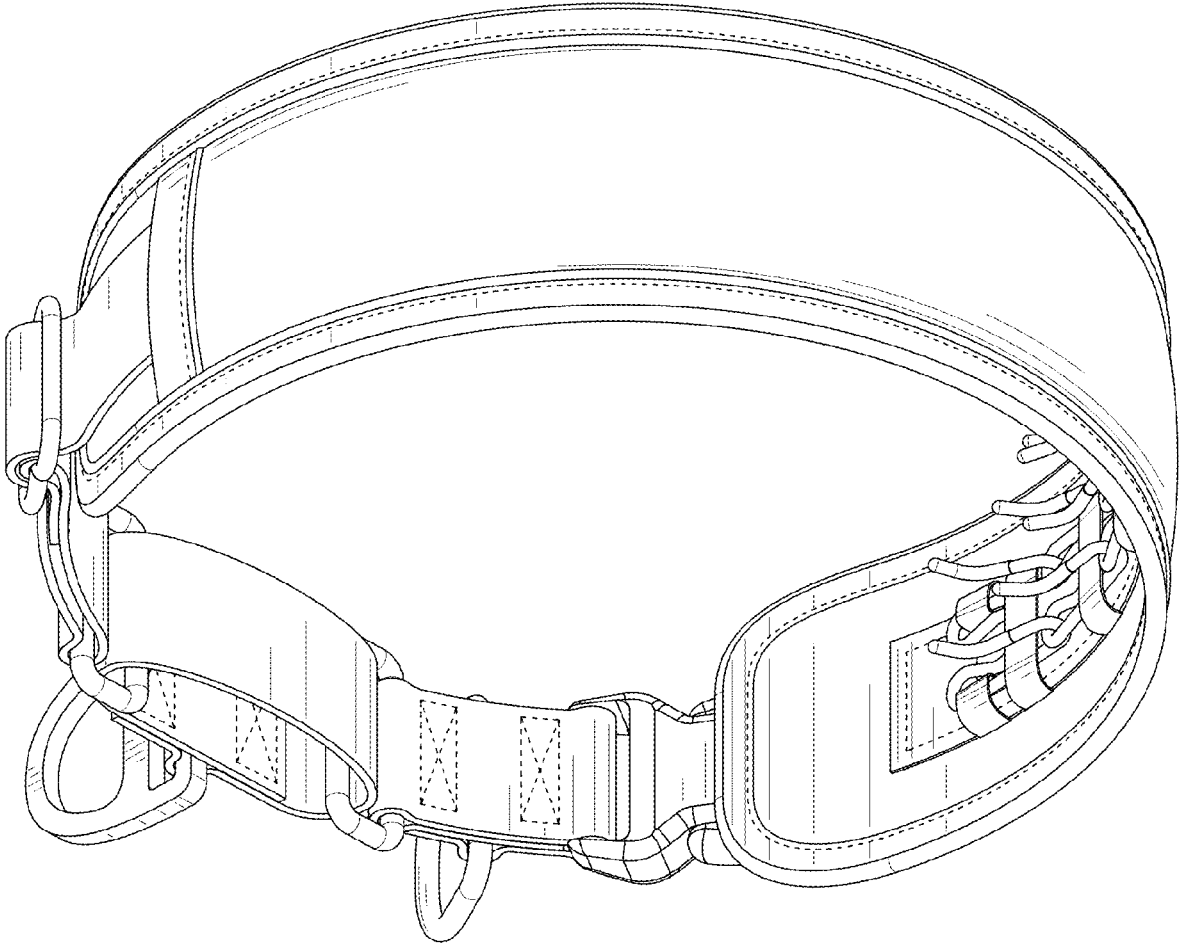


FIG. 2

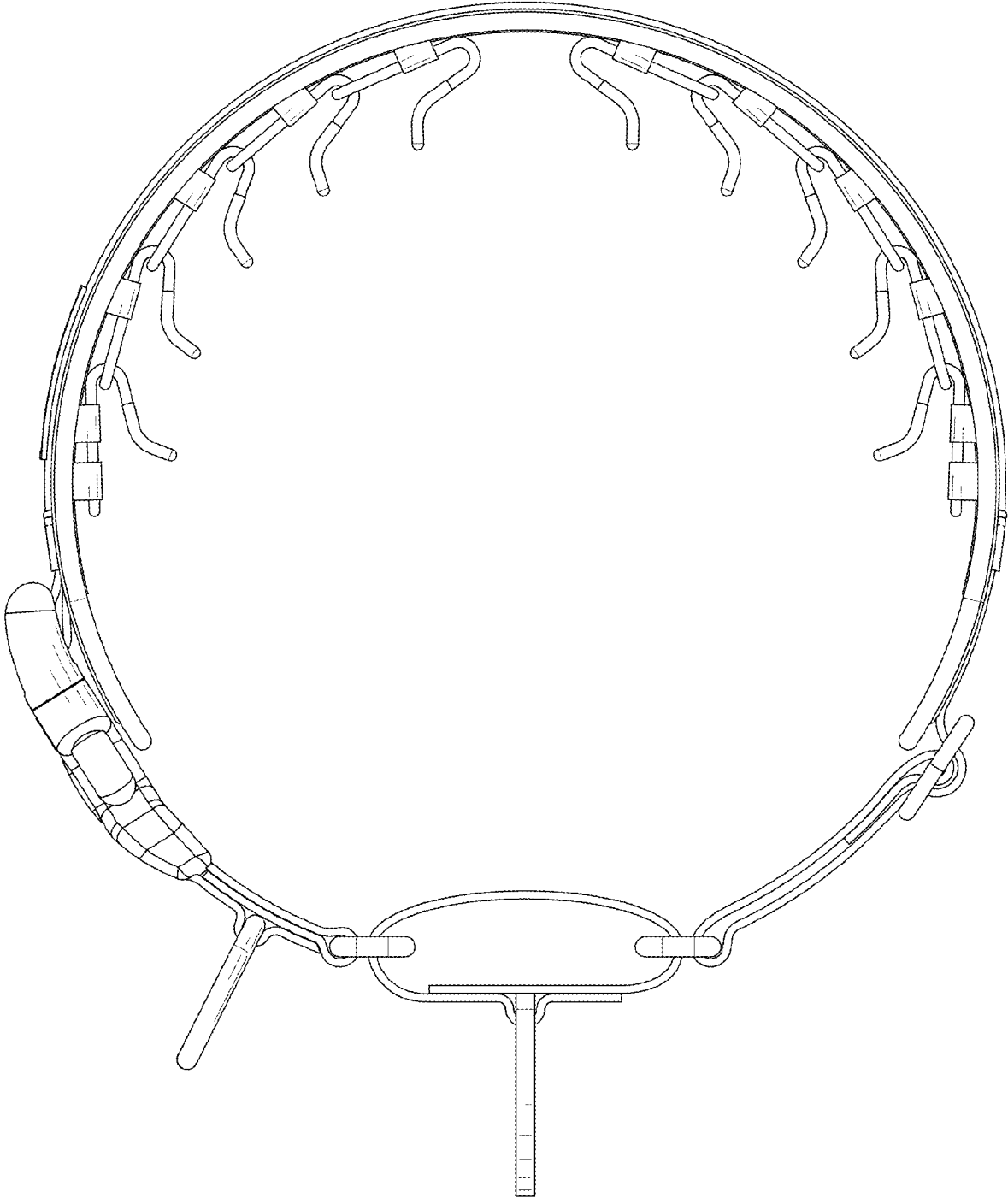


FIG. 3

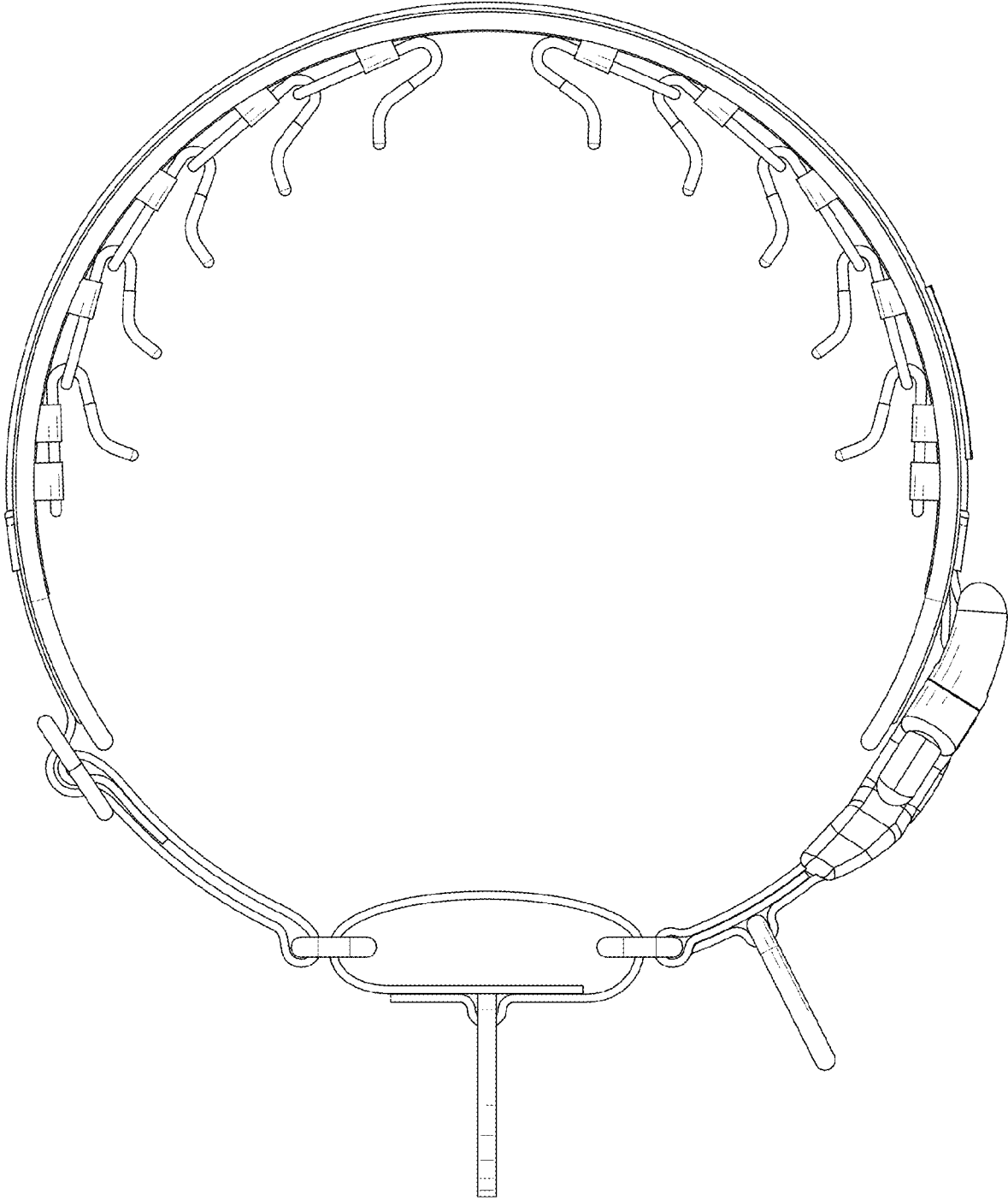


FIG. 4

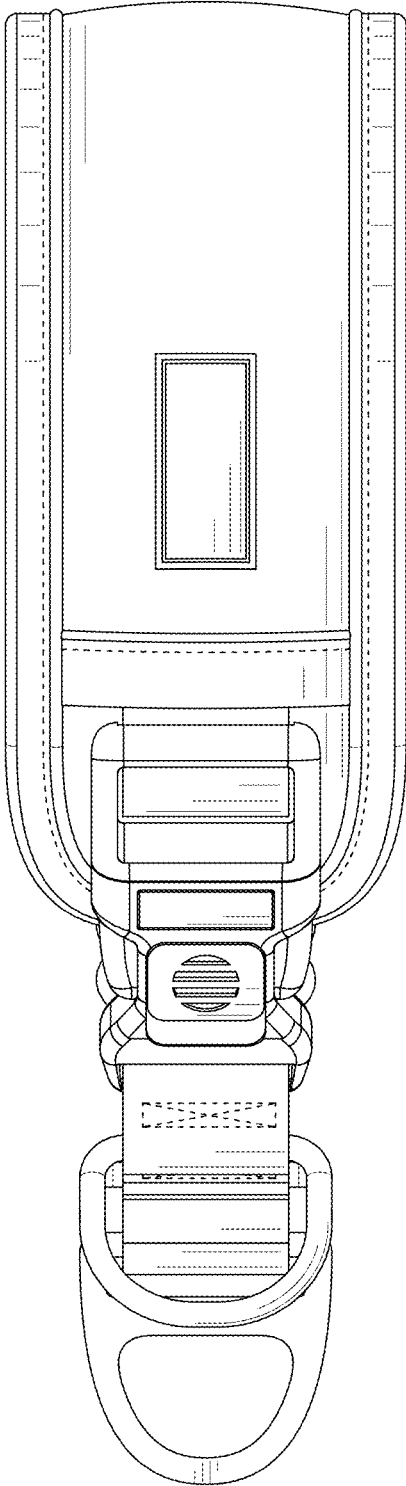


FIG. 5

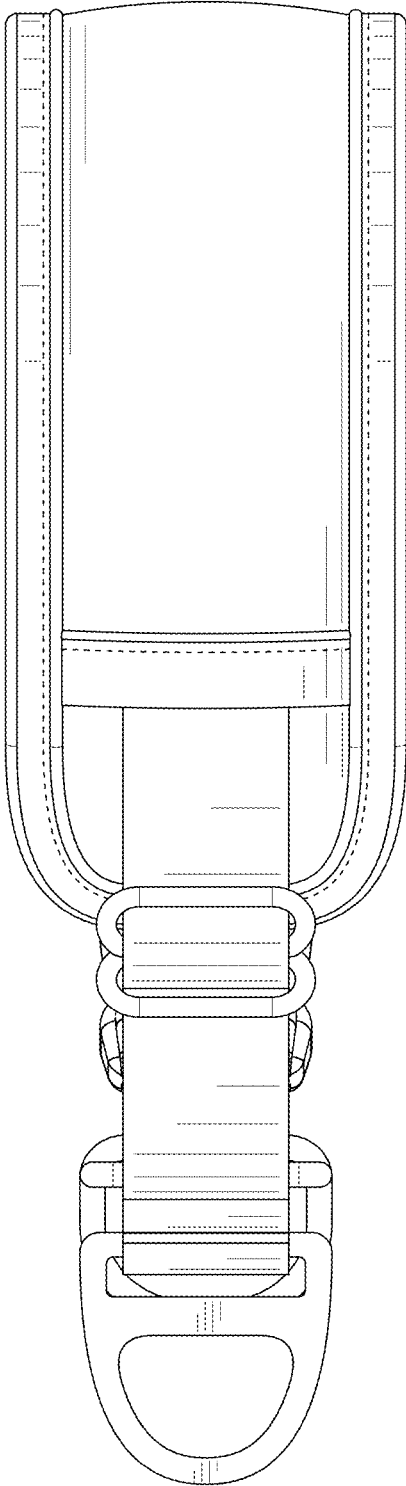


FIG. 6

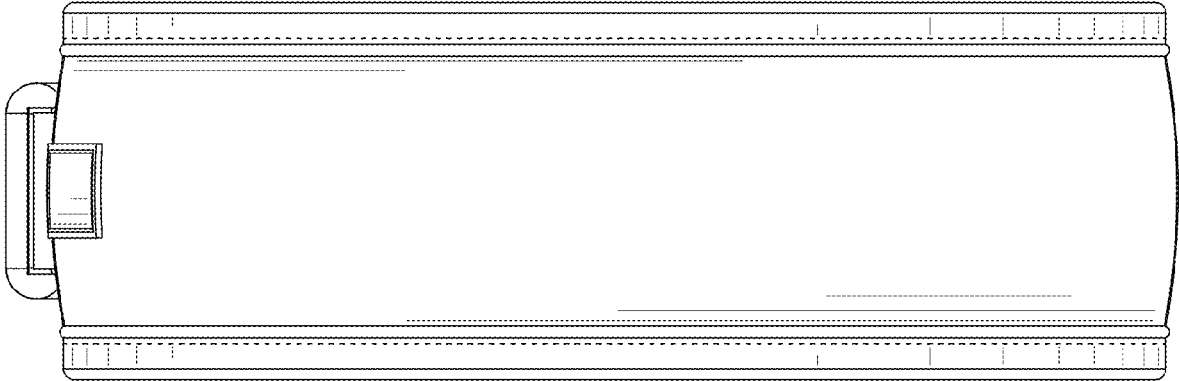


FIG. 7

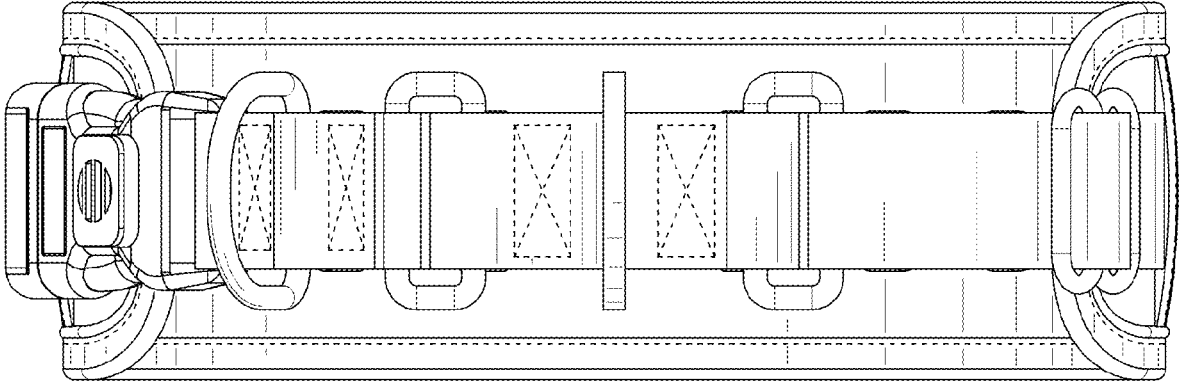


FIG. 8