



US00D577250S

(12) **United States Design Patent**  
**Zanaletti**

(10) **Patent No.:** **US D577,250 S**

(45) **Date of Patent:** **\*\* Sep. 23, 2008**

(54) **LID FOR A CONTAINER FOR FOOD PRODUCT**

(75) Inventor: **Doriano Zanaletti**, Lainate (IT)

(73) Assignee: **Perfetti Van Melle S.p.A.**, Lainate (IT)

(\*\*) Term: **14 Years**

(21) Appl. No.: **29/296,344**

(22) Filed: **Oct. 18, 2007**

(30) **Foreign Application Priority Data**

Apr. 18, 2007 (EM) ..... 000708383

(51) **LOC (8) Cl.** ..... **07-02**

(52) **U.S. Cl.** ..... **D7/391**

(58) **Field of Classification Search** ..... D3/294;  
D6/634; D7/391-392.1, 538-542, 612-615,  
D7/629; D9/414, 420-432; D10/6; D34/7;  
206/457, 506, 553; 220/4.21, 309.1, 367.1,  
220/376-377; 229/406, 902-906

See application file for complete search history.

(56) **References Cited**

U.S. PATENT DOCUMENTS

3,383,009 A \* 5/1968 Weikert ..... 206/506  
D293,279 S \* 12/1987 Evans ..... D6/634  
D339,438 S \* 9/1993 Moran ..... D34/7  
D342,609 S \* 12/1993 Brightbill ..... D3/294  
D361,518 S \* 8/1995 Petruzzi ..... D10/6  
D362,180 S \* 9/1995 Haines ..... D9/424

D371,962 S \* 7/1996 Petruzzi ..... D9/423  
D471,102 S \* 3/2003 Gehring et al. .... D9/432  
D490,704 S \* 6/2004 Atkinson et al. .... D9/432  
D493,335 S \* 7/2004 Armato ..... D7/629  
D562,128 S \* 2/2008 van de Velde ..... D9/420

\* cited by examiner

*Primary Examiner*—Caron D. Veynar

*Assistant Examiner*—Ricky Pham

(74) *Attorney, Agent, or Firm*—Young & Thompson

(57) **CLAIM**

The ornamental design for a lid for a container for food product, as shown and described.

**DESCRIPTION**

FIG. 1 is a top, side and front perspective view of a lid for a container for food product showing my new design;

FIG. 2 is a front elevational view thereof;

FIG. 3 is a side elevational view thereof from the right of FIG. 2;

FIG. 4 is a side elevational view thereof from the left of FIG. 2;

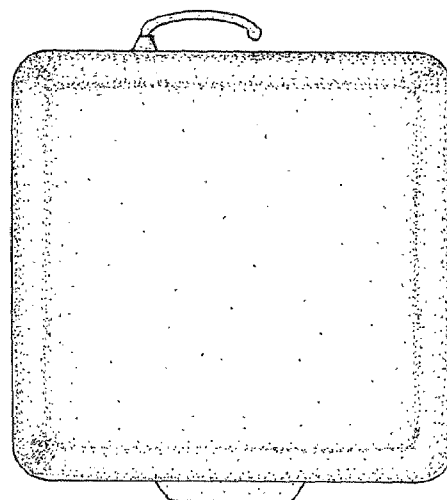
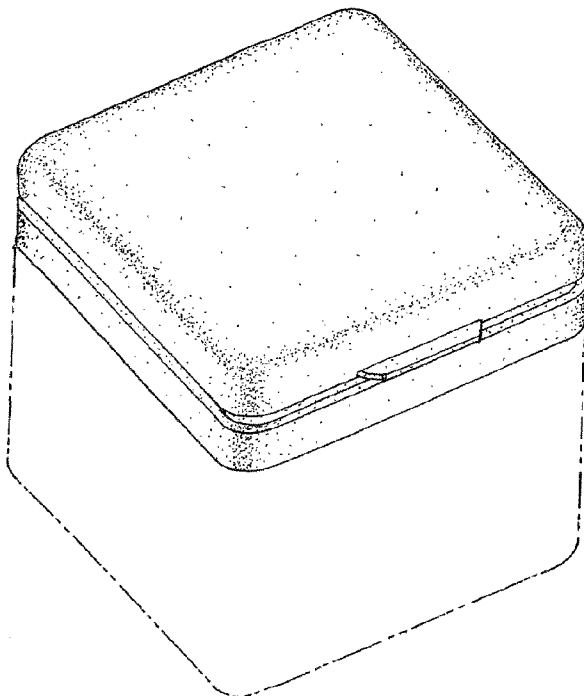
FIG. 5 is a rear elevational view thereof;

FIG. 6 is a top plan view thereof; and,

FIG. 7 is a bottom plan view thereof.

The material shown in broken line forms no part of the invention and is not claimed.

**1 Claim, 2 Drawing Sheets**



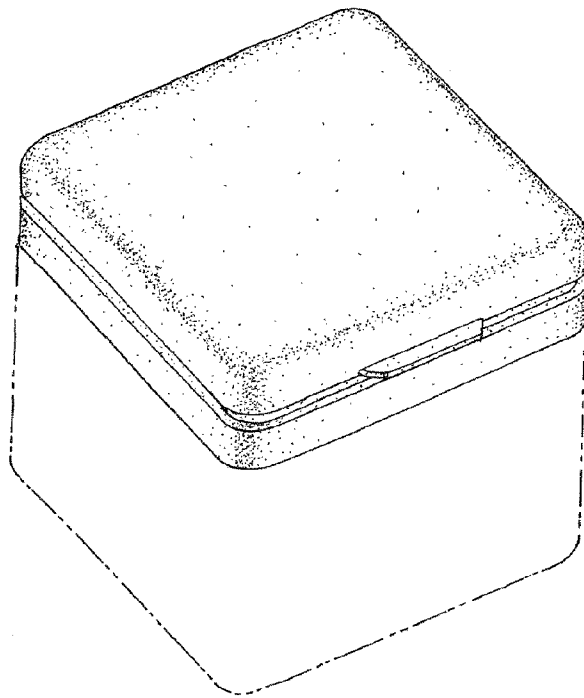


Fig. 1

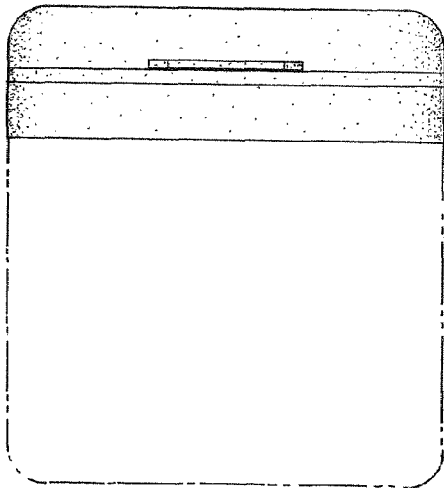


Fig. 2

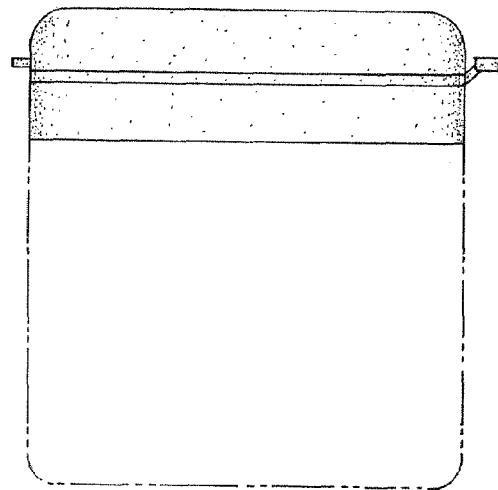


Fig. 3

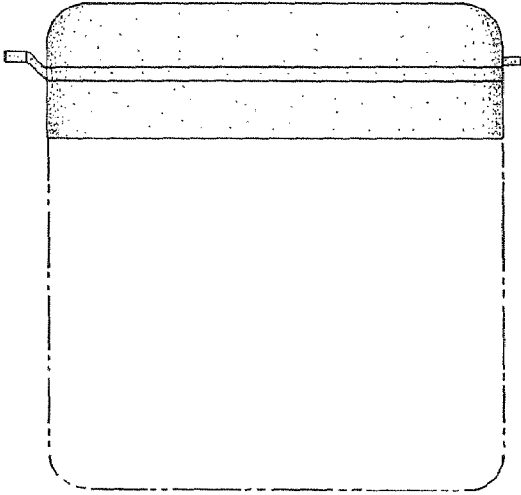


Fig. 4

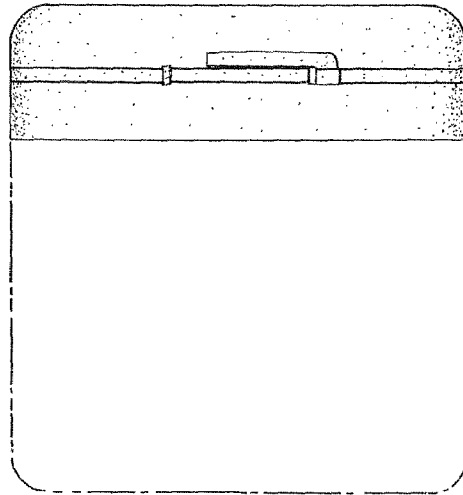


Fig. 5

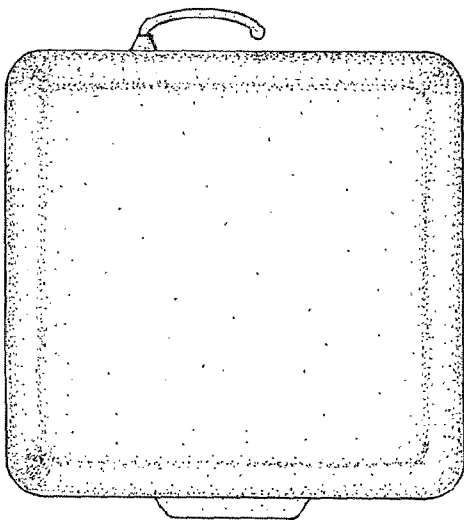


Fig. 6

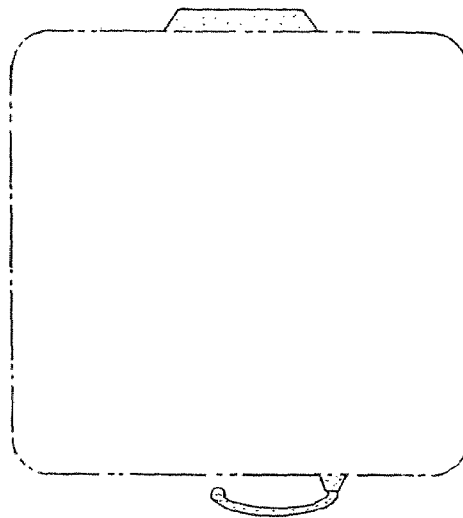


Fig. 7