



US00D466688S

(12) **United States Design Patent** (10) **Patent No.:** **US D466,688 S**
Hassett (45) **Date of Patent:** **** Dec. 10, 2002**

(54) **CASE AND ATTACHED BELT FOR A PORTABLE MUSIC PLAYER**

(75) Inventor: **Eric S. Hassett**, Golden, CO (US)
(73) Assignee: **Case Logic, Inc.**, Longmont, CO (US)
(**) Term: **14 Years**

(21) Appl. No.: **29/146,322**
(22) Filed: **Aug. 7, 2001**

(51) **LOC (7) Cl.** **03-01**
(52) **U.S. Cl.** **D3/218**
(58) **Field of Search** D3/218, 215, 224, D3/226, 219, 232, 233; D6/407, 631-634; 224/240, 901, 904, 236, 914

(56) **References Cited**

U.S. PATENT DOCUMENTS

D403,915 S * 1/1999 Temple et al. D6/631
D414,929 S * 10/1999 Brucki D3/226
D434,897 S * 12/2000 Hillman D3/218
D442,777 S * 5/2001 Smith D3/226

OTHER PUBLICATIONS

Case Logic Spring 2000 Catalog, pp. 3 and 12.
Home & Office Solutions for the 21st Century, Fellowes Catalog, pp. 113,115, and 116, 2000.

cdProjects Millennium ² Catalog, pp. 3, 7, 8, 10 and 20.
* cited by examiner

Primary Examiner—Catherine R. Oliver
(74) *Attorney, Agent, or Firm*—Sheridan Ross P.C.

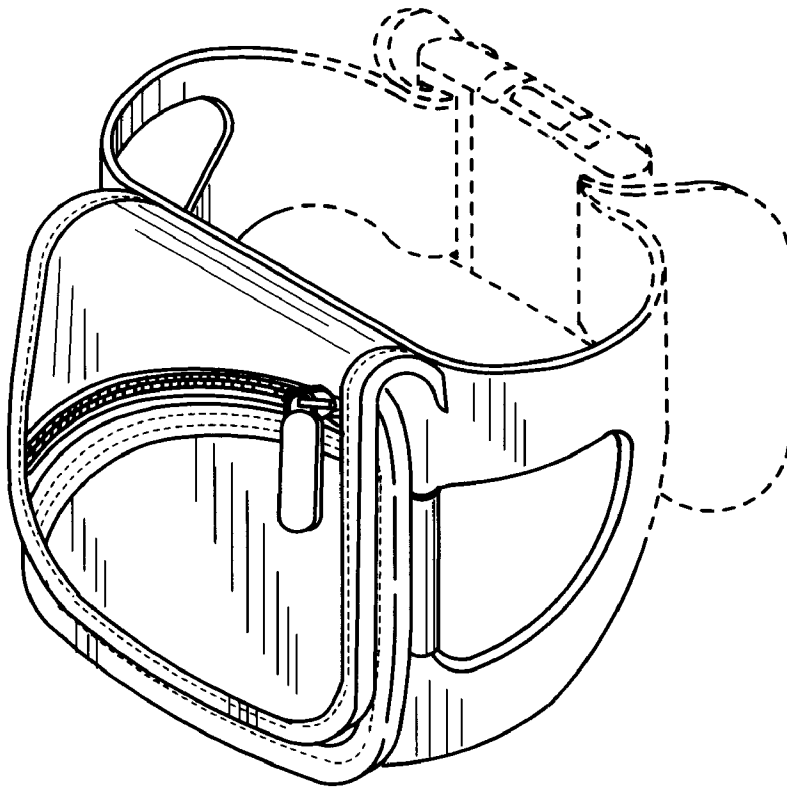
(57) **CLAIM**

The ornamental design for a case and attached belt for a portable music player, as shown and described.

DESCRIPTION

FIG. 1 is a front perspective view of a case and attached belt for a portable music player, showing the new design with environment, the broken lines forming no part of my claimed design;
FIG. 2 is a rear elevation view of the invention illustrated in FIG. 1 shown in a closed position;
FIG. 3 is a left elevation view of the invention illustrated in FIG. 1;
FIG. 4 is a front elevation view of the invention illustrated in FIG. 1;
FIG. 5 is a right elevation view of the invention illustrated in FIG. 1;
FIG. 6 is a top plan view of the invention illustrated in FIG. 1; and,
FIG. 7 is a bottom plan view of the invention illustrated in FIG. 1.

1 Claim, 2 Drawing Sheets



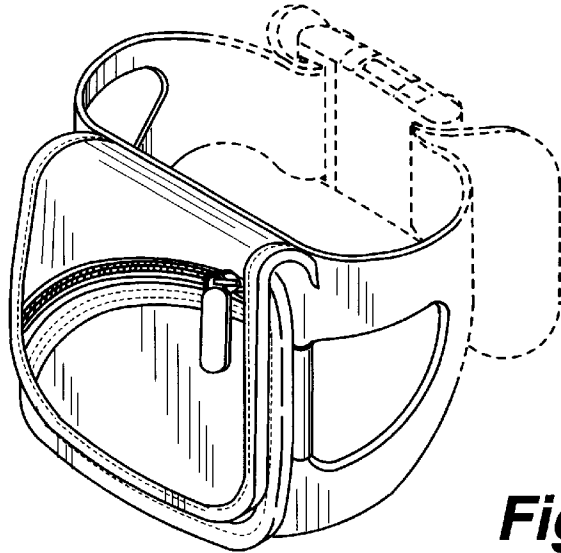


Fig. 1

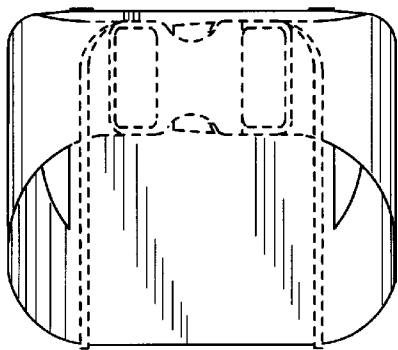


Fig. 2

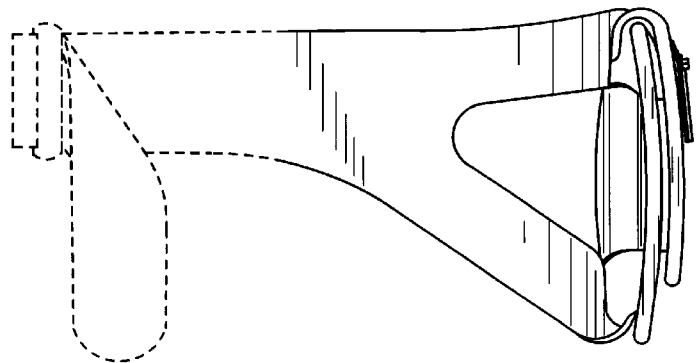


Fig. 3

Fig. 4

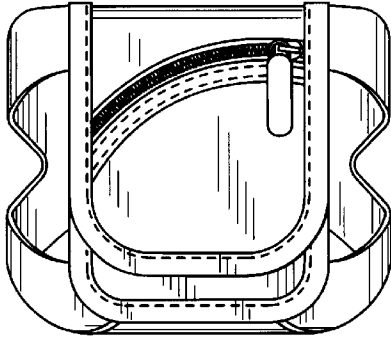


Fig. 5

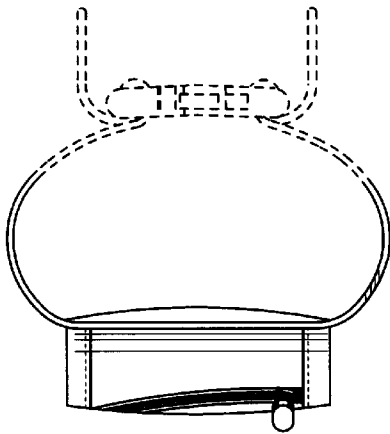
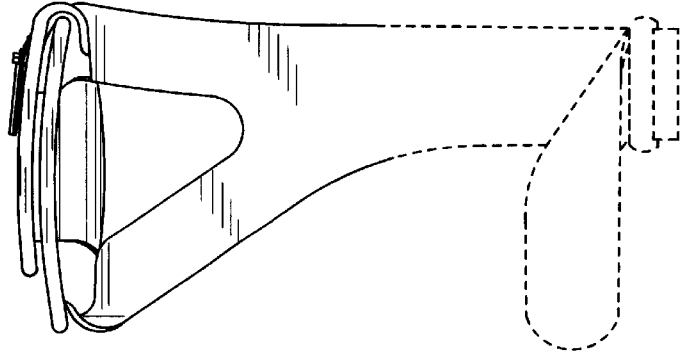


Fig. 6

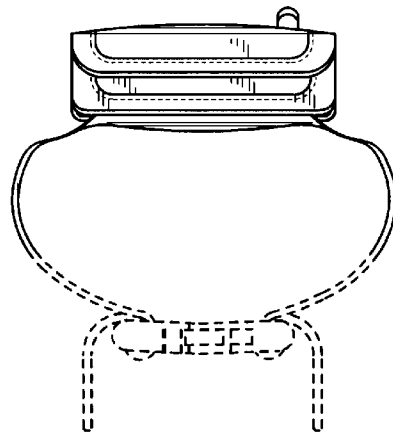


Fig. 7