



US0D1017776S

(12) **United States Design Patent**  
**Pan**

(10) **Patent No.:** **US D1,017,776 S**

(45) **Date of Patent:** **\*\* Mar. 12, 2024**

(54) **THREE-WAY CONNECTOR**

(71) Applicant: **X.J. ELECTRICS (HUBEI) CO., LTD.**, Huanggang (CN)

(72) Inventor: **Yun Pan**, Huanggang (CN)

(73) Assignee: **X.J. ELECTRICS (HUBEI) CO., LTD.**, Huanggang (CN)

(\*\*) Term: **15 Years**

(21) Appl. No.: **29/829,083**

(22) Filed: **Mar. 2, 2022**

(30) **Foreign Application Priority Data**

Sep. 7, 2021 (CN) ..... 202130588377.4

(51) **LOC (14) Cl.** ..... **23-01**

(52) **U.S. Cl.**  
USPC ..... **D23/263**

(58) **Field of Classification Search**  
USPC ..... D23/259, 262–264, 266  
CPC ..... Y10T 403/34; F16L 17/04; F16L 21/08;  
F16L 37/252; F16L 21/022; F16L 37/244;  
F16L 37/24; F16L 37/008  
See application file for complete search history.

(56) **References Cited**

**U.S. PATENT DOCUMENTS**

- 144,565 A \* 11/1873 Roos ..... F16K 11/22  
137/883
- 2,975,983 A \* 3/1961 Niebling ..... F16K 17/162  
239/126
- 4,852,563 A \* 8/1989 Gross ..... A61M 16/0833  
285/305
- 6,047,729 A \* 4/2000 Hollister ..... F17C 13/025  
137/557
- D946,129 S \* 3/2022 Luo ..... D23/249
- D963,162 S \* 9/2022 Suarez del Real Pena . D24/129

(Continued)

**OTHER PUBLICATIONS**

Pocket Hose Copper Bullet 2-Way Hose Splitter, Heavy-Duty, As-Seen-On-TV, Y-Shaped, Leak-Proof, Connect Two Hoses at

Once, Lead-Free, Independent On/Off Switches, Fits Standard Faucets & Garden Hoses, available on Amazon.com, date first available May 19, 2023 [online], [site visited Dec. 7, 2023], Available from the internet URL: <https://www.amazon.com/Pocket-Hose-Heavy-Duty-Leak-Proof-Independent/dp/B0C5S5W3GS> (Year: 2023).\*

(Continued)

*Primary Examiner* — Sharon S Oum

*Assistant Examiner* — Raylen E Worthington

(57) **CLAIM**

The ornamental design for a three-way connector, as shown and described.

**DESCRIPTION**

FIG. 1 is a perspective view of a three-way connector showing my new design;

FIG. 2 is another perspective view thereof;

FIG. 3 is a front elevational view thereof;

FIG. 4 is a rear elevational view thereof;

FIG. 5 is a left side elevational view thereof;

FIG. 6 is a right side elevational view thereof;

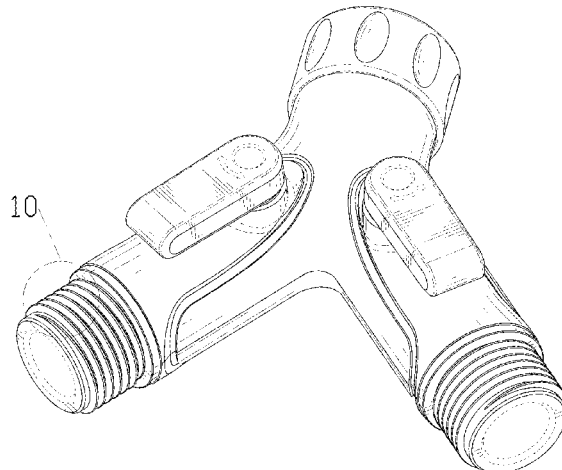
FIG. 7 is a top plan view thereof;

FIG. 8 is a bottom plan view thereof;

FIG. 9 is a perspective view of the three-way connector where the three-way connector is in a configuration of use; and,

FIG. 10 is an enlarged view of portion 10 shown in FIG. 1. The dash-dash broken lines in the drawings depict portions of the three-way connector that form no part of the claimed design. The dot-dash broken lines represent the boundary of the enlarged portion and form no part of the claimed design.

**1 Claim, 10 Drawing Sheets**



(56)

**References Cited**

U.S. PATENT DOCUMENTS

D1,004,754 S \* 11/2023 Pan ..... D23/266  
2004/0060594 A1\* 4/2004 Montpetit ..... F16K 21/02  
137/59  
2004/0227344 A1\* 11/2004 Lin ..... F16L 33/2071  
285/259

OTHER PUBLICATIONS

2.76 in. Metal Y Connector, available in homedepot.com, announced  
Year 2011 [online], [site visited Dec. 7, 2023], Internet URL:  
<https://www.homedepot.com/p/Melnor-2-76-in-Metal-Y-Connector-9000/100178887> (Year: 2011).\*

\* cited by examiner

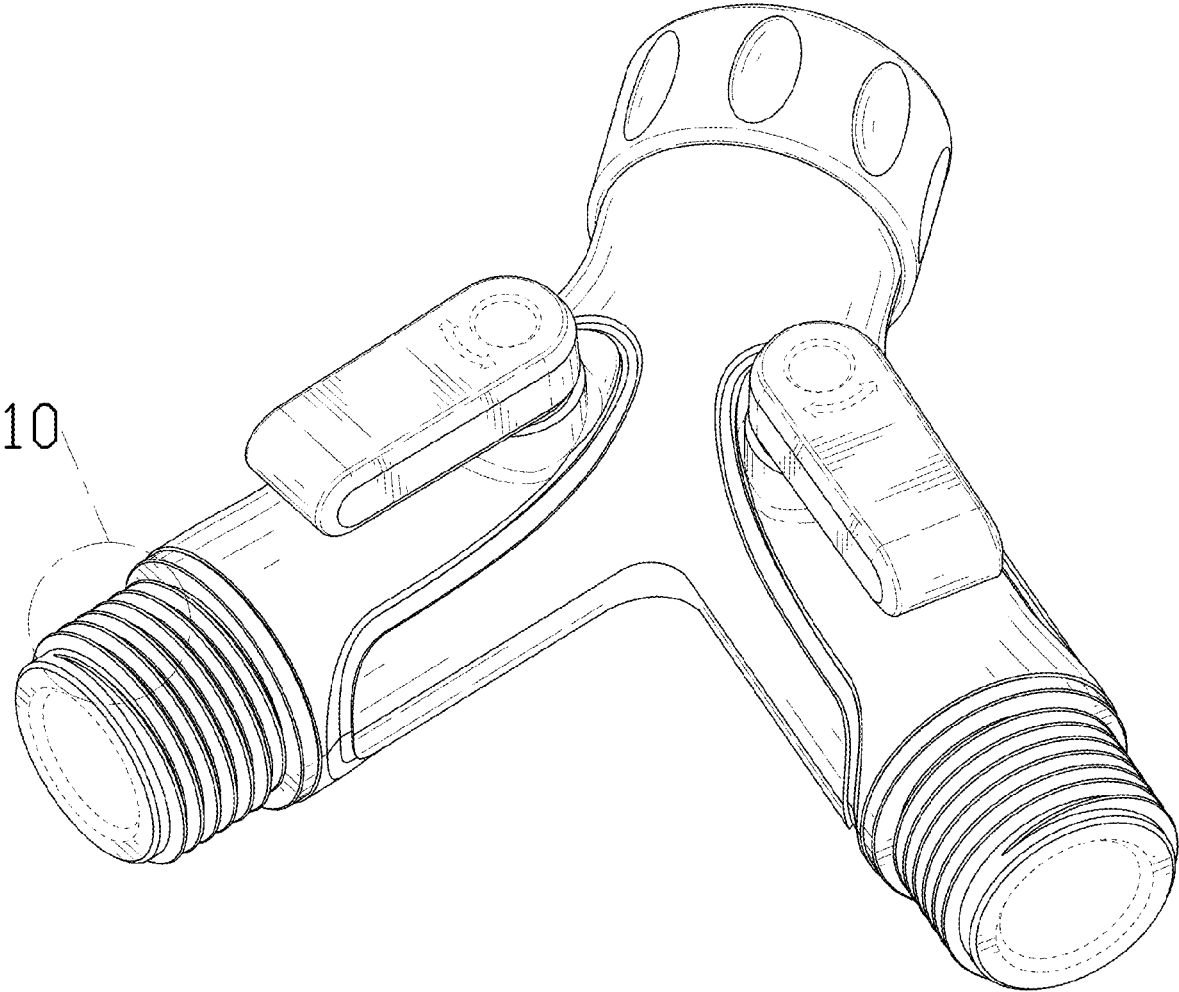


FIG. 1

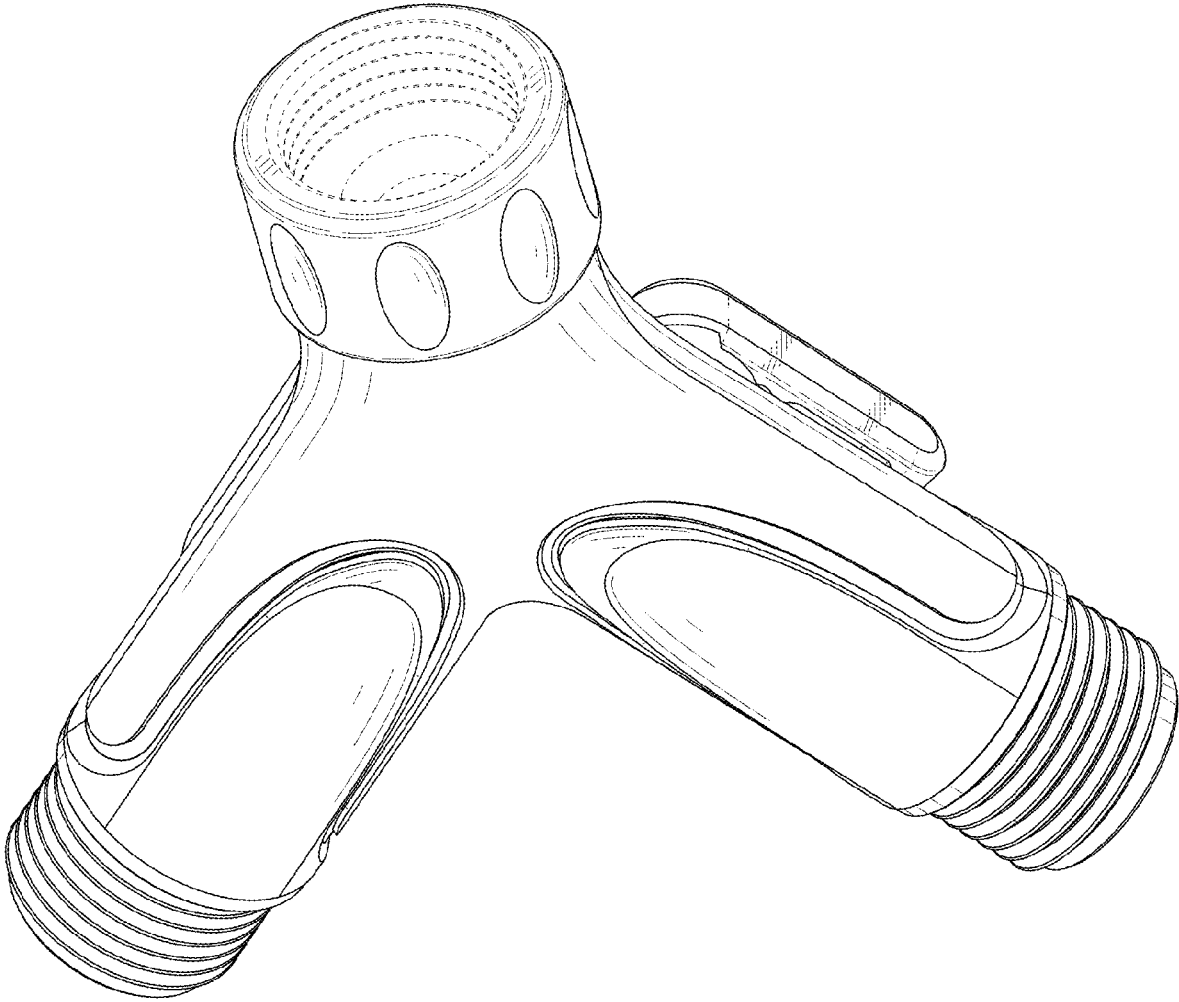


FIG. 2

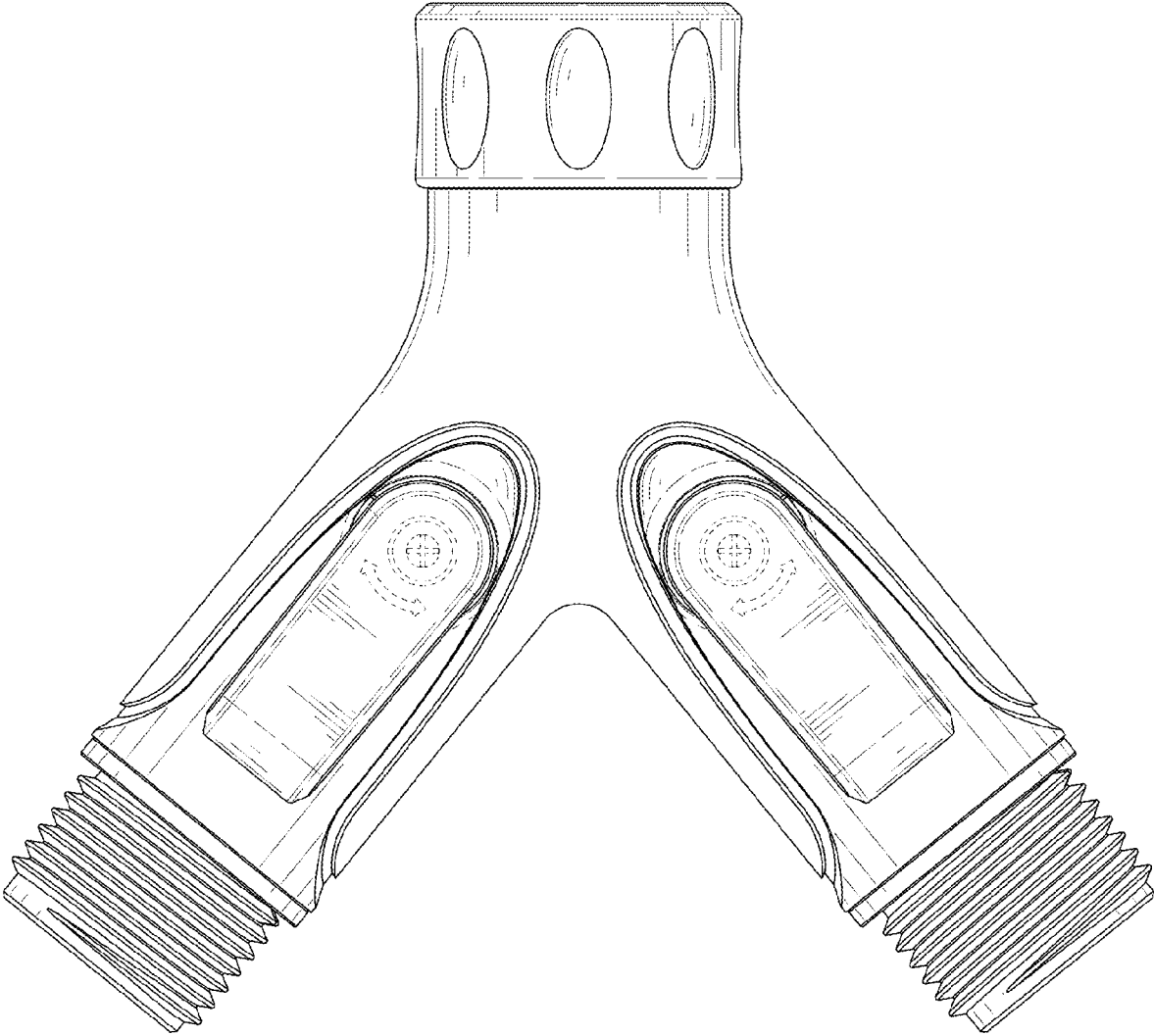


FIG. 3

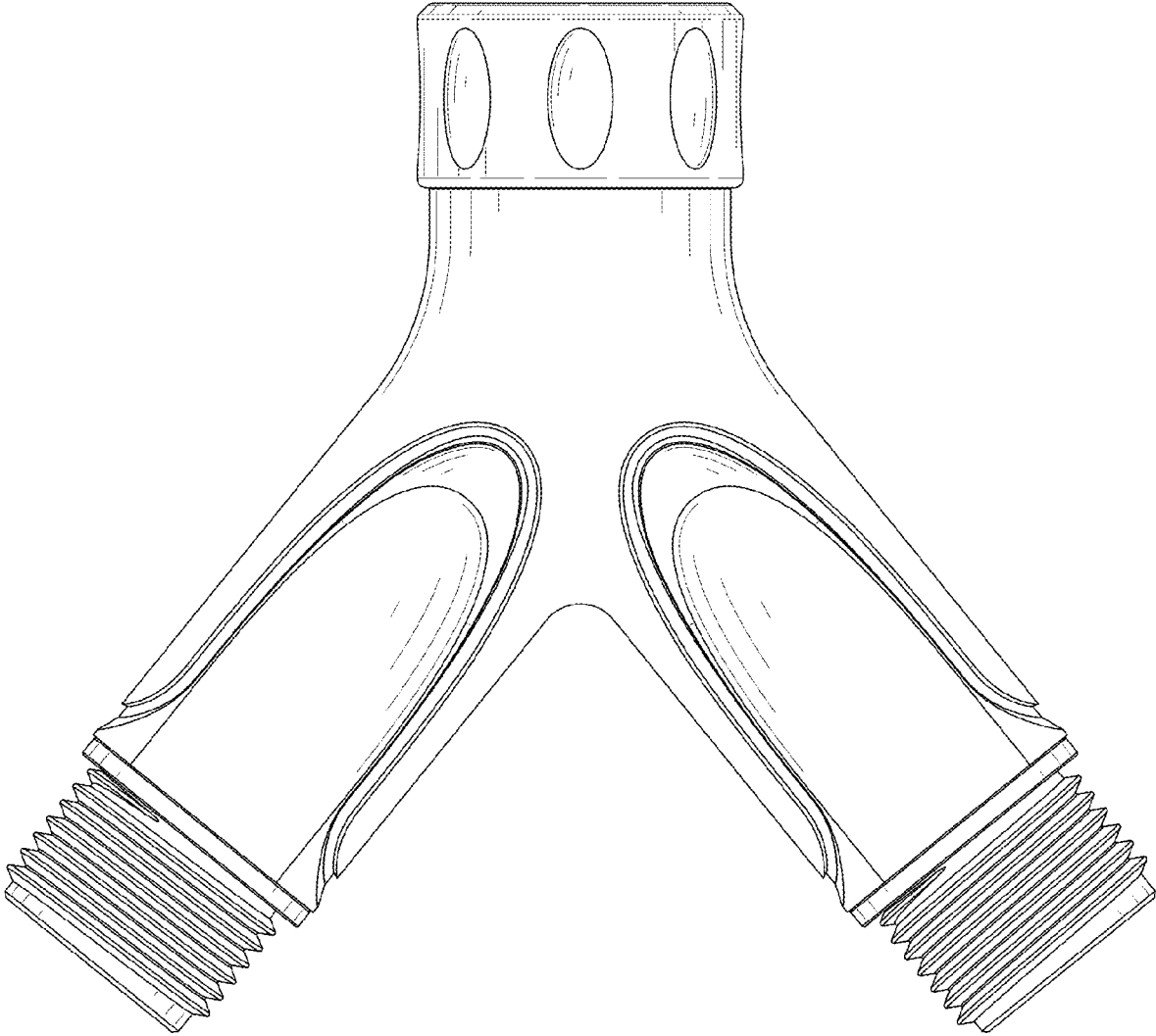


FIG. 4

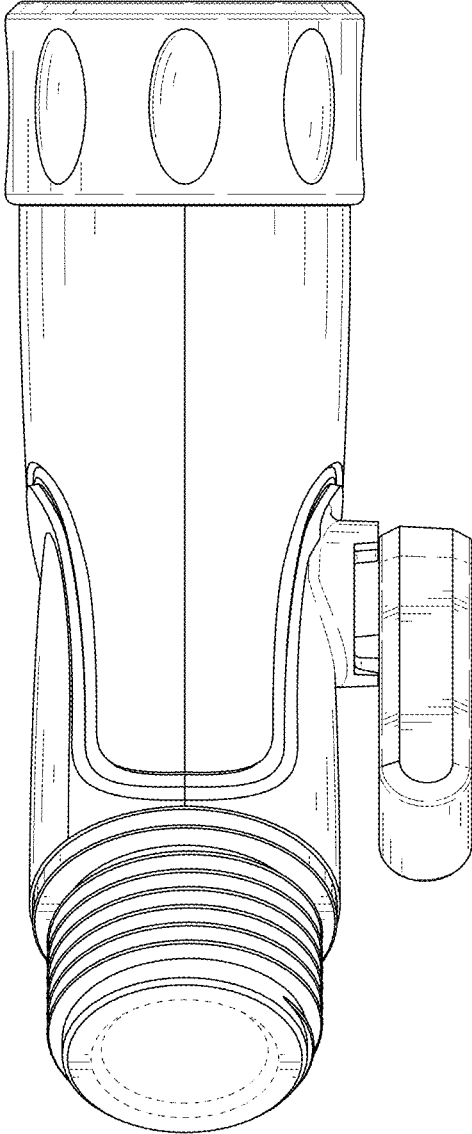


FIG. 5

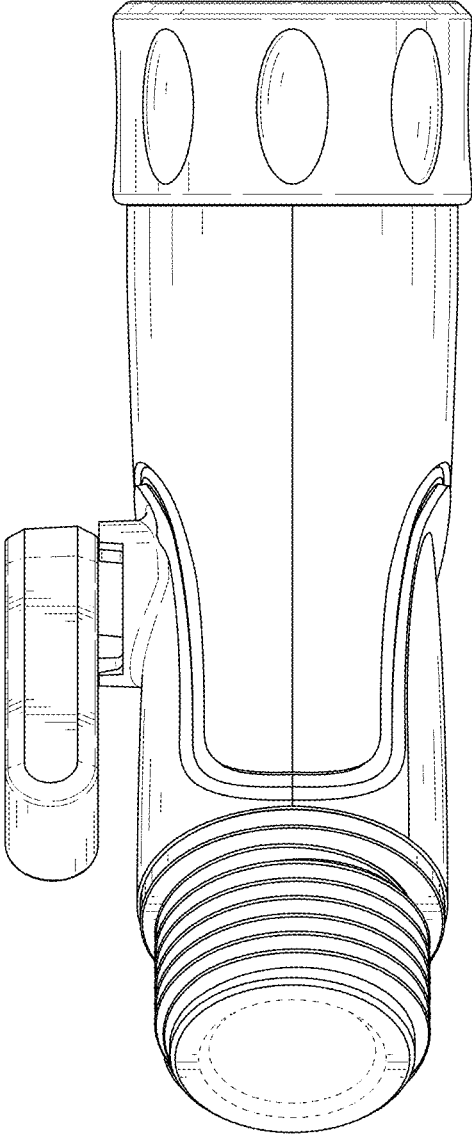


FIG. 6

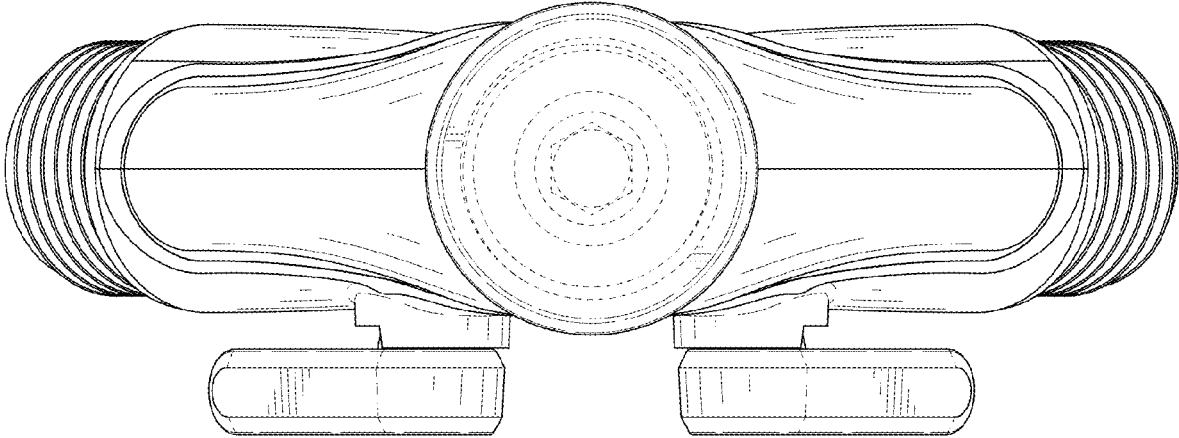


FIG. 7

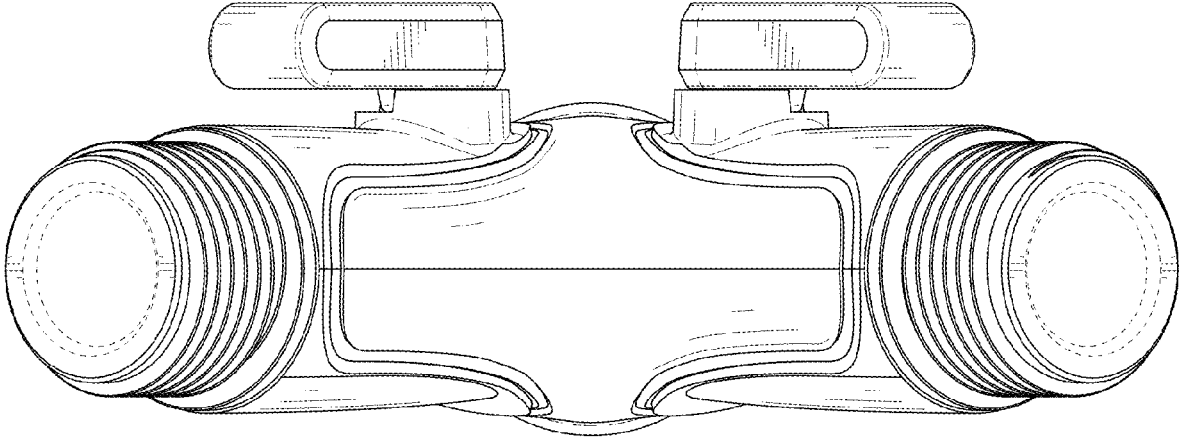


FIG. 8

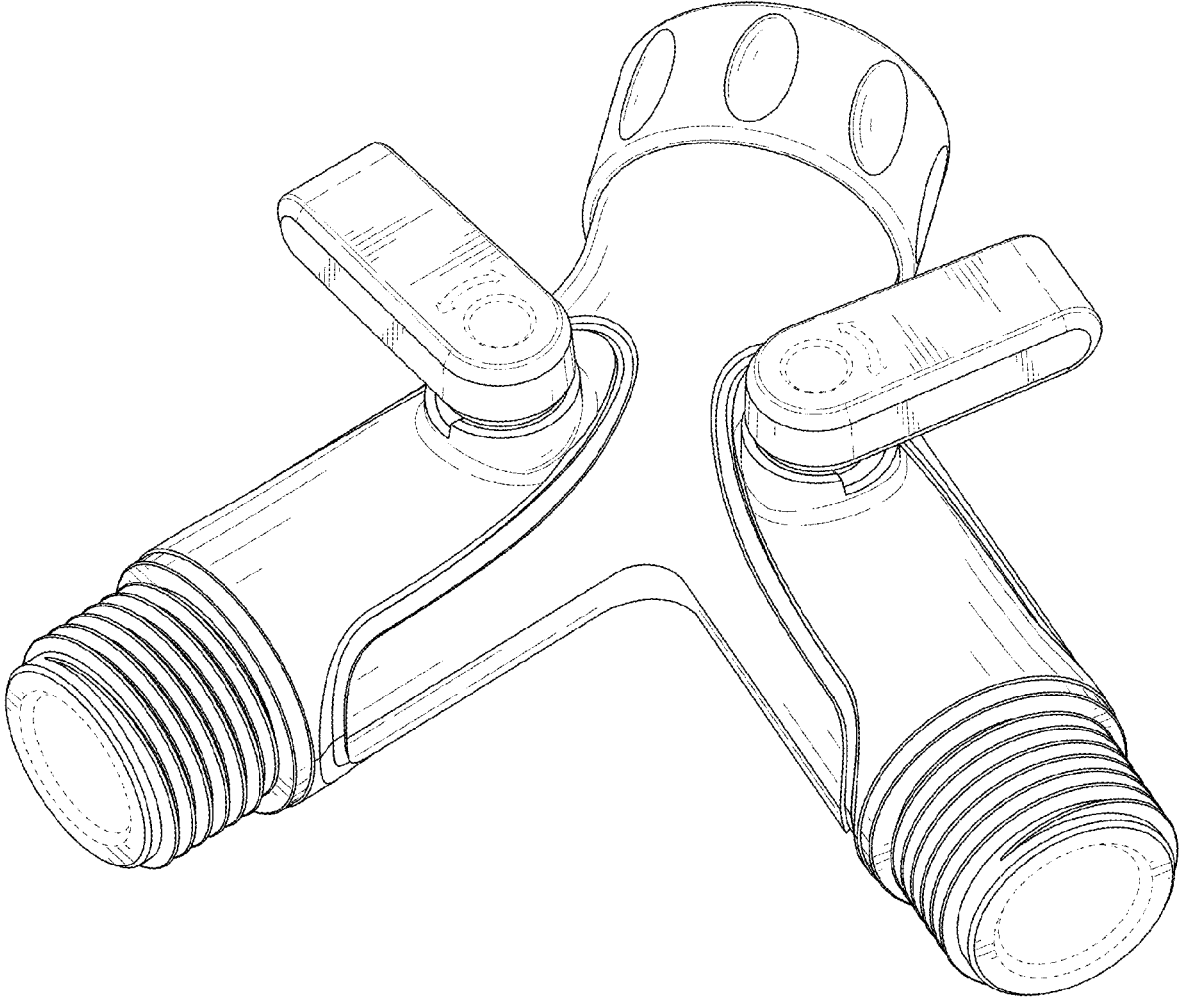


FIG. 9

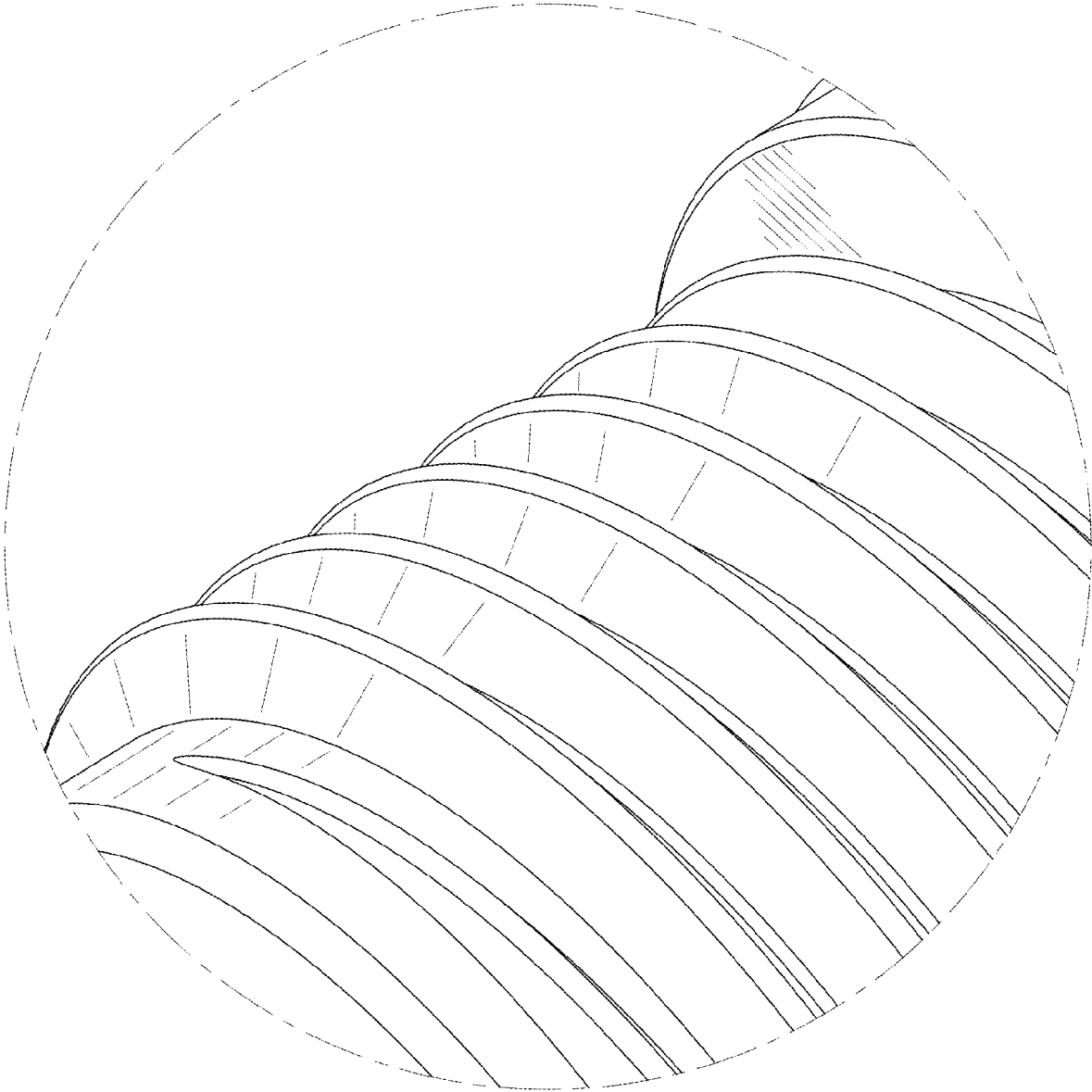


FIG. 10