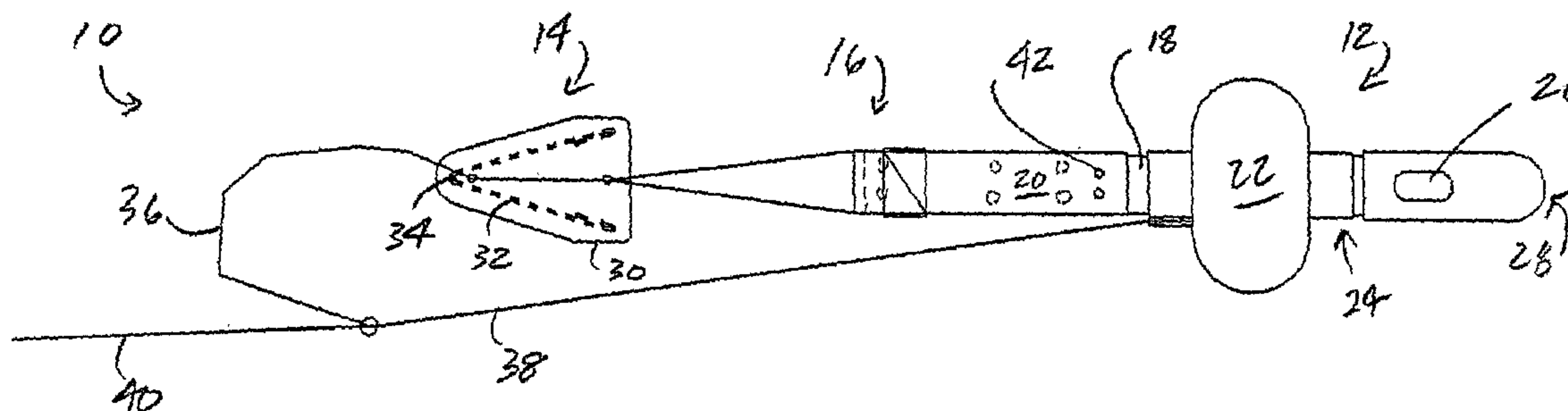




(86) Date de dépôt PCT/PCT Filing Date: 2002/10/18
 (87) Date publication PCT/PCT Publication Date: 2003/05/15
 (85) Entrée phase nationale/National Entry: 2004/04/07
 (86) N° demande PCT/PCT Application No.: US 2002/033592
 (87) N° publication PCT/PCT Publication No.: 2003/039334
 (30) Priorité/Priority: 2001/10/18 (60/329,859) US

(51) Cl.Int.⁷/Int.Cl.⁷ A61M 29/02
 (71) Demandeur/Applicant:
 ABBEYMOOR MEDICAL, INC., US
 (72) Inventeurs/Inventors:
 WHALEN, MARK J., US;
 WILLARD, LLOYD K., US;
 REID, JOHN M., US;
 BAUMGARTNER, MARK, US
 (74) Agent: ADE & COMPANY

(54) Titre : DISPOSITIF ENDO-URETRAL ET METHODE ASSOCIEE
 (54) Title: ENDOURETHRAL DEVICE & METHOD



(57) Abrégé/Abstract:

An endourethral device (10) including proximal (12) and distal (14) anchor assemblies selectively spaced apart by a device body (16) is provided. The proximal anchor assembly (12) is adapted to abuttingly engage at least portions of a bladder neck so as to at least proximally anchor said device (10), the distal anchor assembly (14) being adapted to engage at least portions of a bulbous urethra so as to at least distally anchor said device (10). The body (16) extends between the proximal (12) and distal (14) anchors assemblies, the device (10) being adapted such that the anchors (12,14) are selectively spaced apart for fixed positioning within a lower urinary tract in furtherance of a portion of the body (16) at least partially traversing a prostatic urethra.

(12) INTERNATIONAL APPLICATION PUBLISHED UNDER THE PATENT COOPERATION TREATY (PCT)

(19) World Intellectual Property Organization
International Bureau



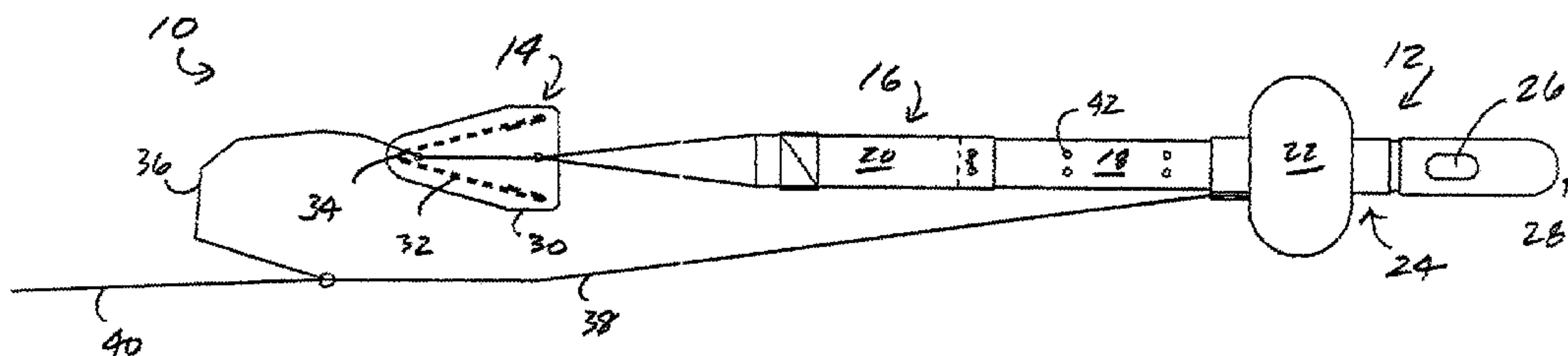
(43) International Publication Date
15 May 2003 (15.05.2003)

PCT

(10) International Publication Number
WO 03/039334 A3

- (51) International Patent Classification⁷: A61M 29/02 (74) Agents: STEMPKOVSKI, Richard, C., Jr. et al.; Nawrocki, Rooney & Sivertson, P.A., Suite 401, Broadway Place East, 3433 Broadway Street Northeast, Minneapolis, MN 55413 (US).
- (21) International Application Number: PCT/US02/33592
- (22) International Filing Date: 18 October 2002 (18.10.2002)
- (25) Filing Language: English (81) Designated States (*national*): AU, CA, JP.
- (26) Publication Language: English (84) Designated States (*regional*): European patent (AT, BE, BG, CH, CY, CZ, DE, DK, EE, ES, FI, FR, GB, GR, IE, IT, LU, MC, NL, PT, SE, SK, TR).
- (30) Priority Data:
60/329,859 18 October 2001 (18.10.2001) US
- (71) Applicant: ABBEYMOOR MEDICAL, INC. [US/US]; 8211 County Road 14, NE, Milona, MN 56354 (US).
Published:
— with international search report
- (72) Inventors: WHALEN, Mark, J.; 2115 Ironwood Drive N.E., Alexandria, MN 56308 (US). WILLARD, Lloyd, K.; 8211 County Road 14, NE, Milona, MN 56354 (US). REID, John, M.; 6462 Indian Lake Road N.W., Garfield, MN 56332 (US). BAUMGARTNER, Mark; 616 Eighth Avenue East, Alexandria, MN 56308 (US). (88) Date of publication of the international search report:
13 November 2003
- For two-letter codes and other abbreviations, refer to the "Guidance Notes on Codes and Abbreviations" appearing at the beginning of each regular issue of the PCT Gazette.

(54) Title: ENDOURETHRAL DEVICE & METHOD



(57) Abstract: An endourethral device (10) including proximal (12) and distal (14) anchor assemblies selectively spaced apart by a device body (16) is provided. The proximal anchor assembly (12) is adapted to abuttingly engage at least portions of a bladder neck so as to at least proximally anchor said device (10), the distal anchor assembly (14) being adapted to engage at least portions of a bulbous urethra so as to at least distally anchor said device (10). The body (16) extends between the proximal (12) and distal (14) anchors assemblies, the device (10) being adapted such that the anchors (12,4) are selectively spaced apart for fixed positioning within a lower urinary tract in furtherance of a portion of the body (16) at least partially traversing a prostatic urethra.



WO 03/039334 A3

ENDOURETHRAL DEVICE & METHOD

This is a regular application filed under 35 U.S.C. §111(a) claiming priority under 35 U.S.C. §119(e)(1), of provisional application Serial No. 60/329,859 having a filing date of October 5 18, 2001, filed under 35 U.S.C. §111(b).

TECHNICAL FIELD

The present invention generally relates to medical devices, more particularly to endourethral devices, and still more particularly to adjustable length devices for treating urinary retention and or assessing lower urinary tract symptoms. 10

BACKGROUND OF THE INVENTION

Urinary problems can have serious consequences, particularly when the problem is one of retention or incomplete emptying. Urine flow problems include urine retention, incontinence, and difficult urination. Retention can result from any of a number of causes, including without limitation, spinal cord injury, typhoid, peritonitis, prostatic enlargement, urethral stricture, urethritis, 20 cystitis, bladder tumors, or urethral calculus. Patients suffering from these and other conditions often require some interventional means to periodically drain or augment drainage of the bladder. Failure to do so can result in damage of the epithelium and detrusor muscles associated with the bladder, and an increased

potential for bacterial invasion which is commonly thought to contribute to urinary tract infection potentially leading to life-threatening kidney failure.

Beyond notions of intervention, in roads are presently being made in the area of office and office/home based monitoring of patients for purpose of diagnosing the contribution of the prostatic urethra to the outflow urodynamics. Differential diagnosis is understood by accepting that there are three primary anatomical organs which interact to contribute to the function of urination. First the bladder, second the urethra, and third the sphincter(s). The prostatic gland surrounds the urethra in the short segment between the bladder, at its outlet, and the external sphincter. When the patient experiences symptoms of bother which may be made manifest in several independent or co-existing difficulties during urination, treatment is often sought.

For example, bothersome symptoms might include: (i) incomplete emptying, (i.e., the patient is only able to urinate small volumes, e.g. <100 milliliters (ml), or has an elevated volume of urine left in the bladder following urination, e.g. >100 ml per attempt); (ii) experiencing frequent urges to urinate; (iii) intermittency (e.g. a patient's flow stops and starts often during urination); (iv) having a very weak and inconsistent urine flow stream; (v) stress incontinence (e.g. leaking during lifting or straining as a result of excessive urine in the bladder or weakened sphincters. With the

exception of stress incontinence, each of these may contribute to nocturia (i.e., poor sleep due to the repeated need to urinate during the night), yet a further symptom.

Up to two million office visits annually in the United States are attributed to patients being bothered by some form of lower urinary tract symptoms (LUTS). As previously noted, there are three primary organs, and the prostate, involved with the event of urination. The symptoms are virtually always suspected to be caused by the intrusion of an enlarged prostate gland upon the urethra, however, symptoms are often caused by irregularities in bladder function, or sphincter deficiencies. For this reason, bladder outlet obstructions (BOO) is a major subgroup of LUTS. In men between the ages of 55 and 75 years, it is estimated that between 50 and 75% have some degree of bladder outlet obstruction, however, it may not be responsible for their symptoms.

Bladder outlet obstructions are primarily caused by the enlargement of the prostate gland (e.g., benign prostate hyperplasia (BHP)) which results in radial compression of the urethra surrounded thereby (i.e., the prostatic urethra), thus obstructing (i.e., constricting) urine flow, resulting in incomplete emptying of the bladder (i.e., there being what is clinically referred to as a "post void residual" (PVR) remaining in the bladder). Heretofore, males presenting with LUTS have few diagnostic options prior to either long term pharmacological, or

invasive, irreversible, medical procedures such as trans urethral resection of the prostate (TURP), or non-surgical procedures such as thermal treatment of the prostate.

5 It is well known within the urological community that significant numbers of men undergoing treatment for prostate disease have sub-optimal results. According to Bruskewitz, benign prostatic hyperplasia (BPH) can be discussed in terms of prostatic enlargement, outlet obstruction and lower urinary tract symptoms (LUTS). Jepsen J.V. and Bruskewitz R.C., *Comprehensive Patient*
10 *Evaluation for Benign Prostatic Hyperplasia*, 1998, *Urology* 51 (A4):13-18. In addition to the usual factors believed to lead to prostate induced LUTS (e.g., enlarged prostate and increased prostate muscle tone) other conditions of the lower urinary tract impact male voiding and need to be considered. Bruskewitz stated
15 that a large part of the symptomatology of BPH might be explained by bladder dysfunction.

Bladder conditions that are prevalent in men with LUTS, either separately or in combination with outlet obstruction, include detrusor instability and detrusor hypocontractility. Kaplan S.A.
20 and, Te A.E., *Uroflowmetry and Urodynamics*, 1995, *Urologic Clinics of North America* 22 (2):309-320. In a population of 787 men with symptoms of prostatism, Kaplan found that 504 (64%) had demonstrable prostatic urethral obstruction, of which 318 had concomitant detrusor instability. In the group, 181 had detrusor

instability as their sole diagnosis. Impaired detrusor contractility was present in 134 (17%) and 49 of these had impaired detrusor contractility as their only diagnosis. Bruskevitz and others have also shown that a significant number of men with LUTS, including those who receive definitive treatment, are unobstructed. Abrams P., *In Support of Pressure Flow Studies for Evaluating Men with Lower Urinary Tract Symptoms*, 1994, *Urology* 44 (2): 153-55. Patient satisfaction rates after definitive prostate treatment vary from 100% to 75% or less. In some cases the lack of success may be related to unidentified bladder dysfunction. Bruskevitz concluded that bladder dysfunction should receive more attention (in the evaluation and treatment of LUTS) and better measures should be developed to quantify it. Presently, urodynamic methods to assess bladder outlet obstruction generally include uroflow testing, pressure flow testing and general patient history/examination.

Uroflow testing provides information about the combined contribution of the detrusor and urethra to uroflow. The limitation of uroflow testing is that it is not possible to determine with certainty in all cases whether a low flow and a poor voiding pattern are secondary to outlet obstruction, abnormal detrusor contractility or a combination thereof. Further, the test can be problematic because it is only a single event that can be influenced by patient factors such as anxiety and performance of the test (i.e. direction of the urine stream into the collecting

reservoir). Abrams found that the success rate was only 70% when uroflow was used to select patients for surgery. Abrams P.H., *Prostatism and Prostatectomy: The Value of Flow Rate Measurement in the Preoperative Assessment for Operation*. J. Urol 1977, 177:70-71.

5 Pressure flow testing can be used to define outlet obstruction and, in addition, provides information about the contractility and performance of the bladder. The pressure flow test, however, is not much more successful in predicting success of treatment, as defined by the patient, than uroflow (75% vs. 64%). Jepsen J.V.
10 and Bruskewitz R.C., *Comprehensive Patient Evaluation for Benign Prostatic Hyperplasia*, 1998, Urology 51 (A4):13-18. Therefore the urological community as well as the Agency for Healthcare Policy & Research (AHCPR) do not find justification for its routine use.

15 Finally, the standard work-up of patients with LUTS being evaluated for bladder outlet obstruction generally consists of history and physical examination, including assessment of prostate volume, PSA, uroflow testing, quality of life, and symptom and bother index. Based on the results, treatment decision are made. Using these evaluations, underlying problems with bladder function
20 cannot be detected.

In lieu of traditional urodynamic test methodologies such as the use of video urodynamics simultaneously with the holding and release of urine, cystometry, urethral pressure profiling, ultrasonic volume assessments (i.e., PVR), and uroflowmetry, each

of which address the filling/emptying conditions (i.e., dynamics) of the bladder, endourethral devices and accompanying methodologies have been developed specifically to ascertain the nature of the BOO, see for example the disclosure of copending application serial
5 nos. 09/943,975, and 10/179,108, each of which are incorporated herein by reference. By permitting the structures of the lower urinary tract to physiologically act in a sequential and incremental manner upon portions of a device during a natural micturition event, an observable change in fluid dynamics in
10 furtherance of lower urinary tract symptoms diagnosis may be noted.

Devices have been developed to be positioned in the urethra and/or bladder to correct the problems of obstruction and incontinence of urine flow. Heretofore known problems associated with endourethral devices, more particularly critical device
15 components such as stents, valve actuators, flow conduits, etc., generally relate to, or are associated with, the physiology of the lower urinary tract (e.g., ingrowth, instability, pitting, depositions, etc.). Unappreciated or not fully appreciated relationships between the device and its environment have rendered
20 heretofore known devices less effective at a minimum, and at a maximum, have been known to cause device component failure or render the device wholly ineffective, necessitating emergent removal and, as the case may be, urinary tract damage repair. Problems of device leakage, or less than complete emptying of the

bladder are also widely known. Furthermore, issues surrounding device deployment and fit, positioning, repositioning, and retention (i.e., sufficient anchoring) have also been well documented.

5 It is especially critical that the endourethral device be stable with respect to position (i.e., a physiologically properly deployed and stable position), and comfortable to wear, as the urinary tract is sensitive to contact. Inter-urethral stents have been utilized within the male urethra within the prostatic region
10 with many users foregoing such devices for alternate therapies due to feelings of discomfort and/or pain. Many endourethral devices have similarly been evaluated for urinary incontinence for females. Based upon clinical findings, many have been shown to be uncomfortable, thus severely retarding their utility as a therapy.
15 Other devices have migrated into the bladder, or have been expelled under straining conditions.

 Furthermore, it is imperative that the device be no more invasive than necessary. For instance, it is advantageous that the device minimally engage the structures of the lower urinary tract,
20 particularly in accomplishing an anchoring function. For example, it is well known that secretions of the prostatic urethra, including the Cooper's gland, whether during sexual function or otherwise, is clinically beneficial, the secretions are comprised, in part, of antimicrobial agents which assist in the prevention of

urinary tract infections. It is further believed that bathing of the bladder neck with urine assists infection prevention. Generally, flow of urine external of an endourethral device permits the free passage of urinary tract fluids from the urethra as urine is released, thereby allowing a more physiologically normal urine discharge. Thus, whether it be a short or long term endourethral device, for interventional, diagnostic or other purpose, stable anchoring in combination with physiologically proper, non-traumatic, fitted device deployment and retention is essential.

10

SUMMARY OF INVENTION

Embodiments of adjustable length endourethral devices intended for patients with Lower Urinary Tract Symptoms (LUTS) are provided. The subject devices are to be placed within the human urethra and in communication with the bladder. The devices of the subject invention are easily adjustable to accommodate the prostatic length and sphincteric anatomy of the patient. The devices are stabilized in the urethra at the bladder outlet, which prevents expulsion, and at the bulbous urethra, which prevents inward movement. For example, a first stabilizing structure of the device is preferably selectively and reversibly fluid filled, and positionable at the outlet of the bladder. A second stabilizing structure may be mechanical in nature, and is positionable at the bulbous urethra. The device stabilizing structures are selectively spaced apart by

15

20

an element (i.e., a body) which selectively supports a portion of the urethra from closing without restricting the portion of the urethra in the region of the external sphincter. The devices of the subject invention provide for the regulation of the flow of urine
5 from the bladder by the natural control of the external sphincter when the user desires, and do so utilizing device configurations which achieve a easy, secure, stable, fitted placement within the lower urinary tract.

The devices of the subject invention are easily placed into
10 the patient without the necessity for external visualization such as rectal or abdominal ultrasound. Though these visualization methods are available to the urologist or physician, it is undesirable to use them because of cost and/or discomfort to the patient. The devices of all the embodiments may be installed in
15 similar fashion to a Foley catheter by simply inserting the device, inflating the proximal anchor, withdrawing the device into the bladder outlet, and removing the insertion device.

Generally, the endourethral device includes proximal and distal anchor assemblies selectively spaced apart by a device body.
20 The proximal anchor assembly is adapted to abuttingly engage at least portions of a bladder neck so as to at least proximally anchor said device, the distal anchor assembly being adapted to engage at least portions of a bulbous urethra so as to at least distally anchor said device. The body extends between the proximal

and distal anchors, the device being adapted such that the anchors are selectively spaced apart for fixed positioning within a lower urinary tract in furtherance of a portion of the body at least partially traversing a prostatic urethra.

5 The foregoing and other objects, features, and advantages of the invention will be apparent with reference to the figures, the DETAILED DESCRIPTION OF THE INVENTION, and the claims herein after. The figures are not necessarily to dimensional or geometric scale, nor do they necessarily represent structures in accurate or
10 representative relative scale. Emphasis rather is placed upon illustrating principals of the invention in a clear manner.

BRIEF DESCRIPTION OF THE DRAWINGS

15 FIG. 1 illustrates a first embodiment of the endourethral device of the subject invention, the device having first and second body portions telescopingly affixed together;

 FIG. 1A illustrates the endourethral device of FIG. 1, the body thereof having a minimum length dimension (i.e., the body in a collapsed condition);

20 FIG. 2 illustrates a further embodiment of the endourethral device of the subject invention, the body portions thereof having an alternate slidingly expanded and secured arrangement;

 FIG. 3 illustrates yet a further embodiment of the endourethral device of the subject invention, the body portions

thereof being in threaded engagement, and secured as FIG. 1A;

FIG. 4 depicts, in longitudinal section, yet a further embodiment of the endourethral device of the subject invention, the body thereof being longitudinally compressible;

5 FIG. 4A illustrates the device of FIG. 4 secured in a longitudinally compressed condition with a retainer;

FIG. 5 depicts, in longitudinal section, yet a further embodiment of the endourethral device of the subject invention, more particularly the device body of FIG. 4 integral to a circumferential wall;

10 FIG. 5A illustrates the device of FIG. 5 secured in a longitudinally compressed condition with the retainer of FIG. 4A;

FIG. 6 depicts, in partial longitudinal section, yet a further embodiment of the endourethral device of the subject invention, more particularly, the integration of a substitutable, variable length body portion with and to the anchor assemblies; and,

15 FIG. 6A illustrates the device of FIG. 6 in a partially disassembled condition.

DETAILED DESCRIPTION OF THE DRAWINGS

20 As a preliminary matter, Applicant's copending subject matter, application serial no. 10/059,100, incorporated herein by reference, is generally directed to devices especially suited for temporary, short term use as wearable urodynamic devices which allow patient initiated urination in men with lower urinary tract

symptoms (LUTS), or symptoms of prostatism, so as to support open
the prostatic urethra, thereby permitting temporarily relief or
modification of symptoms, and discretionary clinician-patient
collaborative monitoring and assessment of symptoms for the purpose
5 of evaluating the contribution of the bladder and the bladder
outlet to uroflow, urine voiding patterns and symptoms. The
endourethral devices of the subject invention, in all embodiments,
are likewise generally directed, and are further, particularly
predicated upon the notion of easy, secure, stable, fitted
10 placement within the lower urinary tract.

All embodiments of the endourethral device of the subject
invention generally include a proximal anchor structure, a distal
anchor structure, and a body extending therebetween. The proximal
anchor structure is generally adapted to abuttingly engage at least
15 portions of a bladder neck so as to at least proximally anchor the
device whereas the distal anchor is adapted to engage at least a
portion of a bulbous urethra so as to at least distally anchor the
device. In addition to the anchor structures illustrated in the
figures and subsequently discussed, suitable anchor structures for
20 the subject device are disclosed in copending application serial
no. PCT/US01/24817, incorporated herein by reference, as well as
the aforementioned application serial no. 10/059,100. Finally, it
is further contemplated that such anchor structures may be readily
modified, without undue experimentation, so as to include a variety

of known retrieval mechanisms and/or structures, such as that disclosed in copending application serial no. 09/724,239, incorporated herein also by reference.

The device of the subject invention, in all its embodiments, is adapted such that the anchor structures are selectively spaced apart for positioning within the lower urinary tract in furtherance of a portion of the device body at least partially traversing the prostatic urethra. The alternate device body configurations for the subject endourethral device facilitate easy, secure, stable, placement within the lower urinary tract, and permit a physiological fitted placement of same.

Generally referencing FIGS. 1 & 1A (see also FIGS. 2, 3, 4, 5, and 6 having reference numerals +200, +300, +400, +500, and +600 respectively for like structures), an endourethral device 10 is shown having proximal 12 and distal 14 anchor structures spaced apart by a device body 16. The device body 16 generally has proximal 18 and distal 20 segments, the body 16 being positionable within the lower urinary tract so as to at least partially traverse the prostatic urethra.

The proximal anchor structure 12, adapted to preferably abuttingly engage portions of the bladder neck so as to at least proximally anchor the device, is supported at least indirectly by the proximal segment 18 of the device body 16. The proximal anchor structure 12, as shown, includes at least a single bladder engaging

element 22 radially extending from, and circumscribing, an anchor
body 24. At least a single urine receiving aperture 26 is provided
adjacent the proximal extremity 28 of the anchor body 24/device 10
so as to permit urine passage from the bladder and into the
5 urethra. Optionally, multiple bladder engaging elements radially
extend from the body of the proximal anchor such that urine is
freely dischargable about or around an exterior surface of the
anchor body so as to permit substantial bathing of the bladder neck
and thereby realize the physiological benefits associated
10 therewith.

The interface of the resilient bladder engaging elements
relative to the anchor body (or proximal segment of device body),
along with the methodology and structure (i.e., insertion/filling
tool) for reversibly deploying such endourethral device, or devices
15 of this style, is specifically disclosed in heretofore referenced
copening application no. PCT/US01/24817, any modification or
adaptation thereto to accommodate the structures of the
contemplated endourethral device of the subject invention being
considered within the skill of a person of ordinary skill in the
20 art.

The distal anchor structure 14 is generally adapted to engage
portions of the bulbous urethra so as to at least distally anchor
the device, and is supported by at least a portion of the distal
segment 20 of the device body 16. As shown, and preferably but not

necessarily, the distal anchor structure 14 is mechanical in nature, generally including urethral engaging elements or portions 30 extending or depending therefrom, or otherwise integral thereto. The distal anchor structure 14 is of particularly low profile (i.e., an insubstantial hindrance to urine discharge), being reversibly expanded following deployment (e.g., by discharge from an insertion tool or the like). The mechanical anchor preferably tapers toward a distal end thereof, such configuration aiding the retrieval of the device.

10 The distal anchor structure 14 preferably, but not necessarily, includes a silicone encapsulated spring strut 32, or particular arrangement of struts or strut segments, either directly or indirectly extending from a central hub 34. When resiliently expanded, as for instance post deployment, the struts 32 expand to discretely engage portions of the urethral wall. A retrieval tether 36 is fixed to an extremity or end of the distal anchor assembly 14 to facilitate removal of the device generally, and is further joined to drain tether 38 and removal tether 40. The mechanics, functionality and structural details of the distal anchor assembly and tethering system are fully detailed in the aforementioned copending application, e.g., serial no. 10/059,100.

As previously noted, the device 10 is generally adapted such that the anchors 12, 14 are not fixedly positioned relative to each other, the device body 16 being longitudinally compactible. In the

embodiments of FIGS. 1-3, the device body 16 includes proximal 18
and distal 20 portions, at least a segment of one of the portions
being receivable within the other of the portions. The proximal
body portion 18 is directly linked to the proximal anchor structure
12 whereas the distal body portion 20 is directly linked to the
5 distal anchor structure 14. Each of the body components are
generally tube-like and adapted to be selectively securable to each
other. That is to say, the endourethral device comprises proximal
and distal halves which are selectively and securable integratable,
10 in coaxial fashion vis-a-vis union of the proximal and distal body
portions, so as to have a patient specific physiological fit as
could be determined by a urethral profiling device.

With specific reference to the embodiment of FIG. 1, the
proximal body portion 18 is shown slidingly received within the
15 distal body portion 20 in telescoping fashion. The distal body
portion 20 (i.e., exterior tube) preferably includes at least a
single pair of spaced apart apertures 42 in the wall thereof. The
proximal body portion 18 (i.e., interior tube) preferably includes
spaced apart aperture pairs 42 registerable with the apertures in
20 the proximal portion (compare FIG. 1 to FIG. 1A). The body portions
18, 20 are selectively secured to each other using suture, clips or
other such structures or elements known to those of skill in the
art. The preferred length range dimension for the device body 16 is
from about 3 to 5.5 centimeters (cm) (i.e., the range of

adjustability for the device is about 2.5 cm).

Referring now to the embodiment of FIG. 2, telescoping proximal 218 and distal 220 body portions of the device 210 are shown reversibly integrated via cooperation of a spring latch 246 and spring latch receiving structure 248. As shown, the exterior tube 220 is configured to include a spring latch 246, for instance an elongate deflectable arm 250 having an interiorly extending protrusion (i.e., knob) 252. A series of spaced apart knob receiving apertures 248 pass through the wall of the interior tube 218, a portion of the spring latch 246, namely the knob 252, being reversibly and selectively receivable in any one of same for securing the proximal 218 and distal 220 body portions relative to each other. The preferred length range dimension for the device body 216 is from about 3 to 5.5 centimeters (cm) (i.e., the range of adjustability for the device is about 2.5 cm).

Referring now to the embodiment of FIG. 3, cooperative engagement of the body portions is achieved via threaded engagement of same. As shown, the proximal body portion 318 includes a male thread configuration with the distal body 320 portion including a female thread configuration. As may be readily appreciated, upon union of the threaded elements, the device 310 of the subject embodiment is longitudinally compactable/expandable. As with the embodiment of FIG. 1, the body portions are selectively securable via registration and affixation of apertures 342 in the respective

walls of the body portions. Affixation of the body elements of the subject embodiment may suitably be accomplished using a locking nut (not shown) receivable on the proximal body portion, such arrangement providing greater freedom in adjustability. The preferred length range dimension for the device body 316 is from about 3 to 5.5 centimeters (cm) (i.e., the range of adjustability for the device is about 2.5 cm).

Referring now to FIGS. 4 & 5, an endourethral device 410, 510 is shown having a continuous construction throughout its length, a device body 416, 516 being nonetheless interposed between proximal 412, 512 and distal 414, 514 anchoring structures. The device body 416, 516 generally includes a cylindrically, or otherwise as the case may be, coiled coated wire 466, 566. Alternately and suitably, the device body may comprise other known longitudinally compressible configurations (e.g., serpentine). The body may be "open" throughout its length (FIG. 4/4A) or be "closed" throughout at least a portion of its length (FIG. 5/5A), that is to say, body 516 may include a circumferential wall 568, wire 566 being integral thereto. The device bodies 416, 516 of FIGS. 4 and 5 are shown in a static, normally extended condition.

Referring now specifically to FIGS. 4/4A and 5/5A, the endourethral device includes a longitudinally compactable body 416, 516, more particularly a longitudinally compressible body. Selective, secure adjustment is achieved via receipt of at least a

single retainer 462, 562 (e.g., a clip) on at least a portion of the longitudinally compressed device body 416, 516 (FIGS. 4A & 5A). The retaining clip 462, 562 is preferably configured such that its opposing ends securingly receive a coil portion (i.e., a single
5 coil winding) of the device body 462, 562. As is readily appreciated with reference to the figures, a plurality of length dimensions are achievable for body 416, 516 using a retainer of fixed dimension, the number of coil windings captured by the retainer being length determinative. Furthermore, retainers of
10 varying length may be suitably supplied for application to the body should pitch maintenance, or other coil character/quality, sought to be maintained. For the embodiment of FIG. 5, an aperture or series of apertures 564 are preferably, but not necessarily, provided through the body wall 568 to facilitate secure placement
15 of the retainer 562 with respect to the device body 516.

Referring now to FIGS. 6 & 6A, there is shown an endourethral device 610 having a body portion 616 interposed between proximal 612 and distal 614 anchor assemblies, the device being adapted such that it is variably dimensionable. More particularly, opposing ends
20 of the device body 616 are configured to reversibly receive the anchor assemblies 616, 614 (i.e., the proximal portion 618 of the body 616 mates with the proximal anchor structure 612 whereas the distal portion 620 of the body 616 mates with the distal anchor structure 614). As shown, the anchor structures 612, 614 include a

profiled end 668 (i.e., an end configured so as to include a "male"
fitting) which is interlockingly received into each of the profiled
opposing ends of the device body 616 (i.e., the opposing ends of
the device body are configured so as to include a "female"
5 fitting). The arrangement of the aforementioned structures may be
readily varied while accomplishing the desired reversible
interlocking device assembly. Furthermore, alternate interlocking
mechanisms, such as via a bayonet connection, threaded connection
or barbed connection, etc. may be utilized without departing from
10 the scope of the present invention.

Advantageously, a device body 616 is selectively integrated
with stock or standard anchoring structures 612, 614 for insertion
and positioning based upon urethral profiling, as for instance by
utilizing diagnostic urethral assemblies as disclosed in copending
15 application serial nos. 09/943,975 and 10/179,108. Having delimited
the dimensional landmarks of the lower urinary tract, more
particularly the prosthetic urethra, an appropriately dimensioned
device body may be equipped with the anchor structures show, or
disclosed in the references incorporated by reference. The body
20 lengths preferably range from about 2-7 cm, the "finished" device
for deployment being from about 4-9 cm. The interlocking feature
provides a minimum attachment force of about 3 lbf for securing the
linkage.

This invention disclosure provides device configurations which

achieve a easy, secure, stable, fitted placement within the lower urinary tract. There are other variations of this invention which will become obvious to those skilled in the art. It will be understood that this disclosure, in many respects, is only
5 illustrative. Changes may be made in details, particularly in matters of shape, size, material, and arrangement of parts without exceeding the scope of the invention. This is particularly the case, for example, with the specific features of each of the device body portions which facilitate the cooperative engagement of same
10 in furtherance of selectively spacing apart the anchor structures so as to provided a fitted placement. Accordingly, the scope of the invention is as defined in the language of the appended claim. As will further be appreciated, it is contemplated that the disclosed features permitting fitted placement, and their equivalents, are
15 likewise contemplated and hereby embraced for application regarding known endourethral devices for diagnosis, managing or treating urological disorders, the benefits thereby accruing thusly being available generally to patient's presenting with such disorders.

What is claimed is:

1. An endourethral device comprising:

5 a. a proximal anchor structure adapted to abuttingly engage at least portions of a bladder neck so as to at least proximally anchor said device;

b. a distal anchor structure adapted to engage at least portions of a bulbous urethra so as to at least distally anchor said device; and,

10 c. a body extending between said proximal and said distal anchors, said device being adapted such that said anchors are selectively spaced apart for fixed positioning within a lower urinary tract in furtherance of a portion of said body at least partially traversing a prostatic urethra.

15 2. The endourethral device of claim 1 wherein said body is longitudinally compactable.

3. The endourethral device of claim 1 wherein said body is variably dimensionable.

20 4. The endourethral device of claim 3 wherein said body comprises a proximal portion and a distal portion, at least a segment of one of said portions being receivable within the other of said portions.

5. The endourethral device of claim 4 wherein said proximal and said distal body portions are selectively securable to each other.

6. The endourethral device of claim 5 further comprising means for reversibly securing said proximal and said distal body portions.

7. The endourethral device of claim 5 wherein one of said body portions is slidably received within a portion of the other of said body portions

10

8. The endourethral device of claim 5 wherein one of said body portions includes a single aperture pair registerable with spaced apart aperture pairs of the other of said body portions.

9. The endourethral device of claim 7 wherein one of said body portions includes a spring latch, the other of said body portions including spaced apart spring latch receiving structures.

10. The endourethral device of claim 6 wherein one of said body portions is threadingly received upon a portion of the other of said body portions.

11. The endourethral device of claim 10 wherein one of said body portions includes a single aperture pair registerable with spaced

apart aperture pairs of the other of said body portions.

12. The endourethral device of claim 3 wherein said body is longitudinally compressible.

5

13. The endourethral device of claim 12 wherein said body is adapted to be secured in a compressed condition.

10

14. The endourethral device of claim 13 wherein said device further includes means for retaining said body in a secured compressed condition.

15

15. The endourethral device of claim 13 wherein said device further includes a spring clip, said spring clip retaining said body in a compressed condition.

20

16. The endourethral device of claim 15 wherein said body includes a coil spring, said spring clip retaining a plurality of select coils of said coil spring between opposing ends thereof.

17. The endourethral device of claim 1 wherein said anchors are reversibly interlocking from said body to accommodate receipt of an alternately dimensioned body.

18. The endourethral device of claim 1 wherein said body is reversibly detachable from said anchors, variably dimensioned bodies being readily substituted therefore.

5 19. An endourethral device comprising a proximal stabilization structure and a body extending therefrom, said proximal stabilization structure adapted to abuttingly engage at least portions of a bladder neck, said body having proximal and distal segments, said distal segment of said body being selectively,
10 reversibly and distally extendible relative to said proximal segment of said body such that said body at least partially traverses a prostatic urethra.

20. In a method of selectively maintaining the patency of a lower
15 urinary tract passage, the steps comprising:

- a. providing an endourethral device having a variably dimensionable portion; and,
- b. selectively dimensioning said variably dimensionable portion for stabilized deployed receipt within at least a
20 portion of the prostatic urethra.

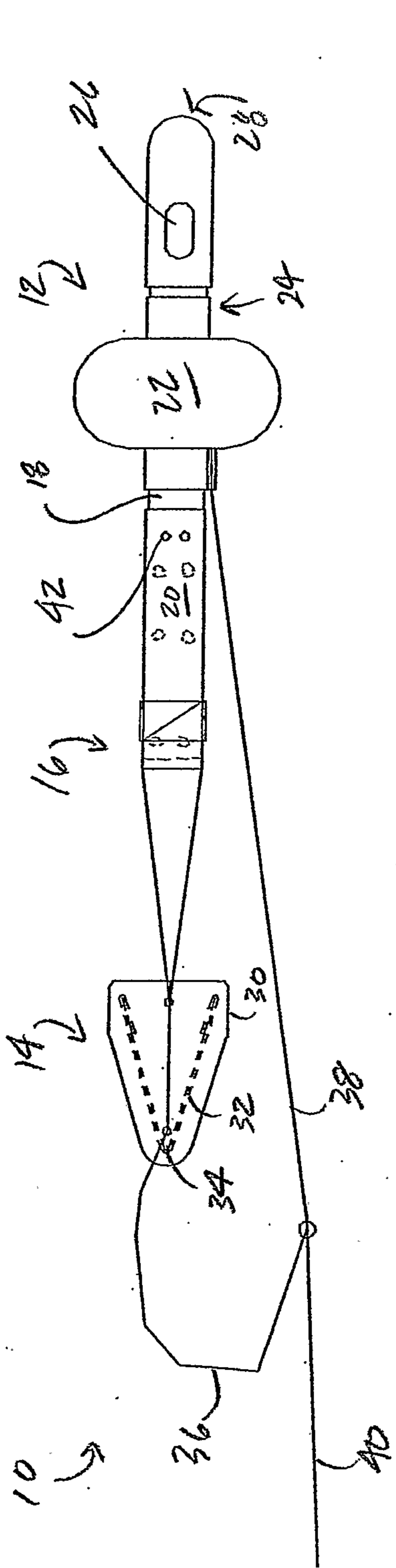


Figure 1A

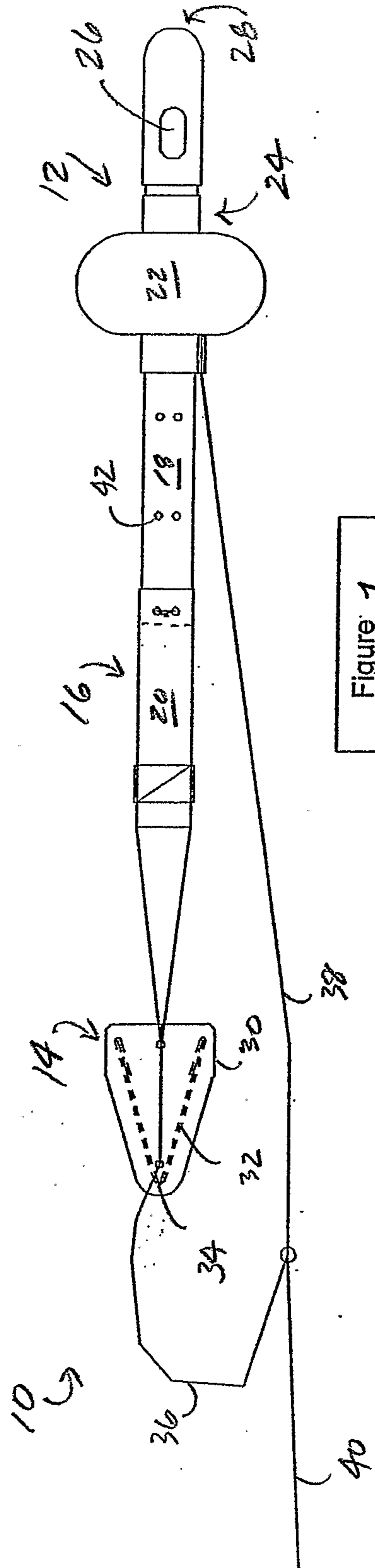


Figure 1

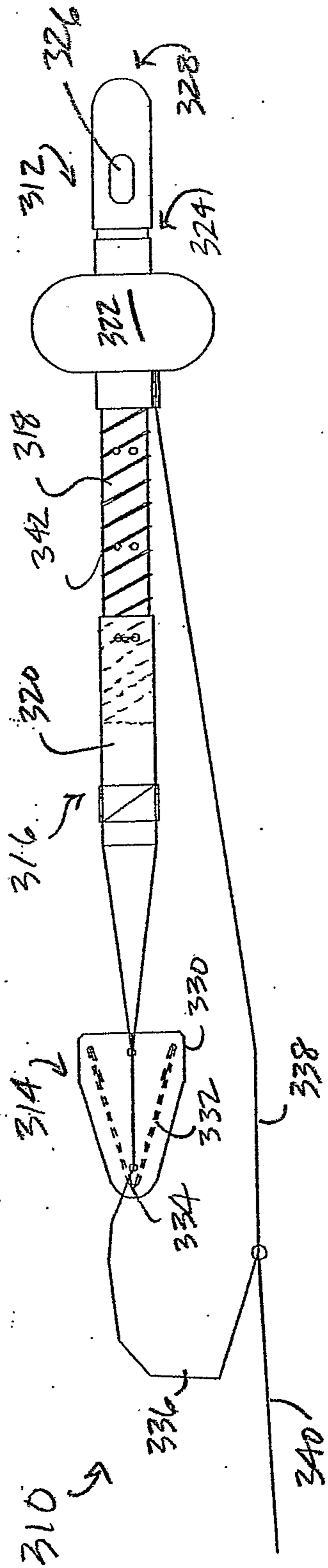


Figure 3

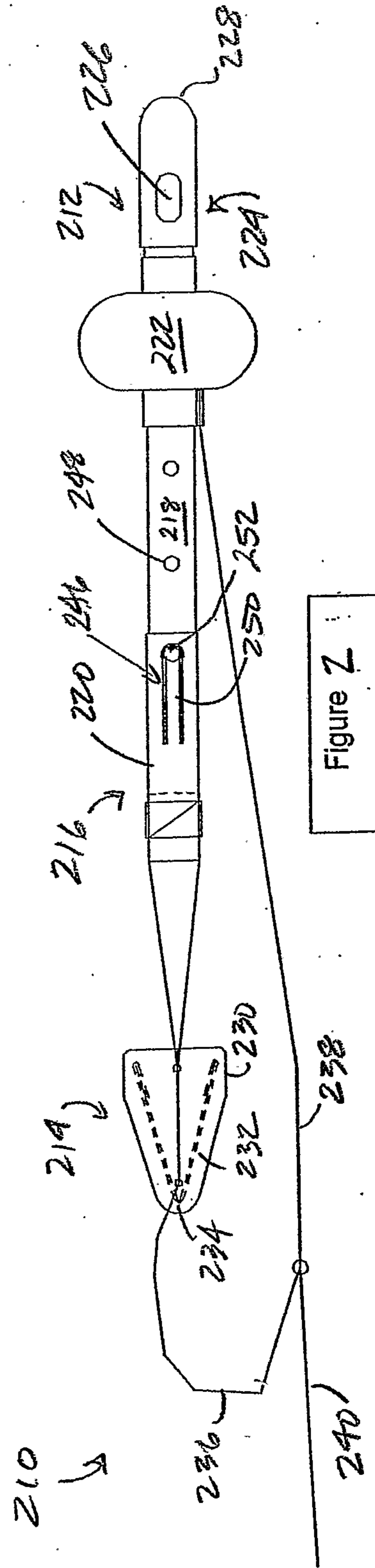


Figure 7

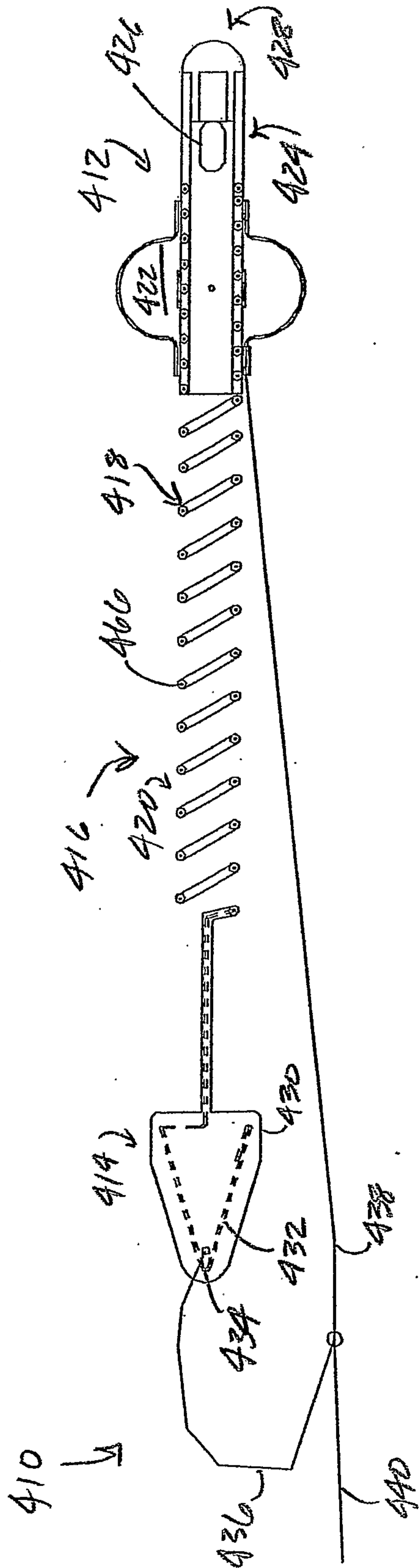


Figure 4

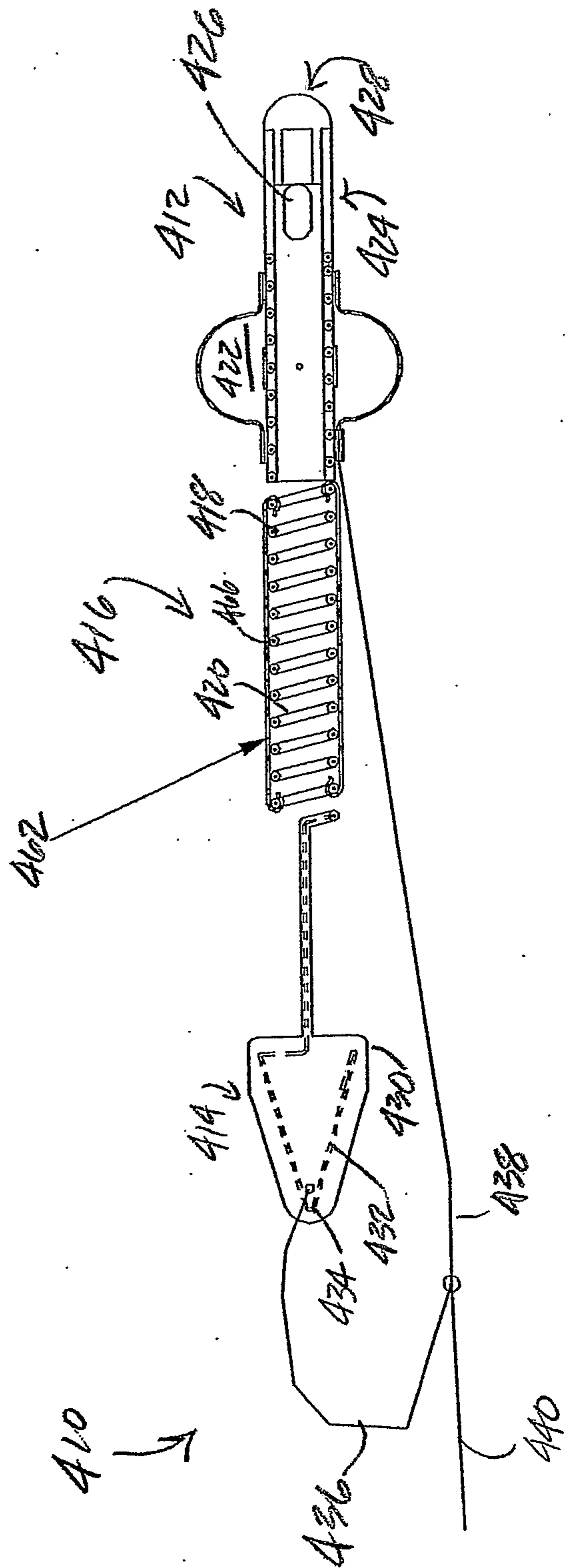


Figure 4A

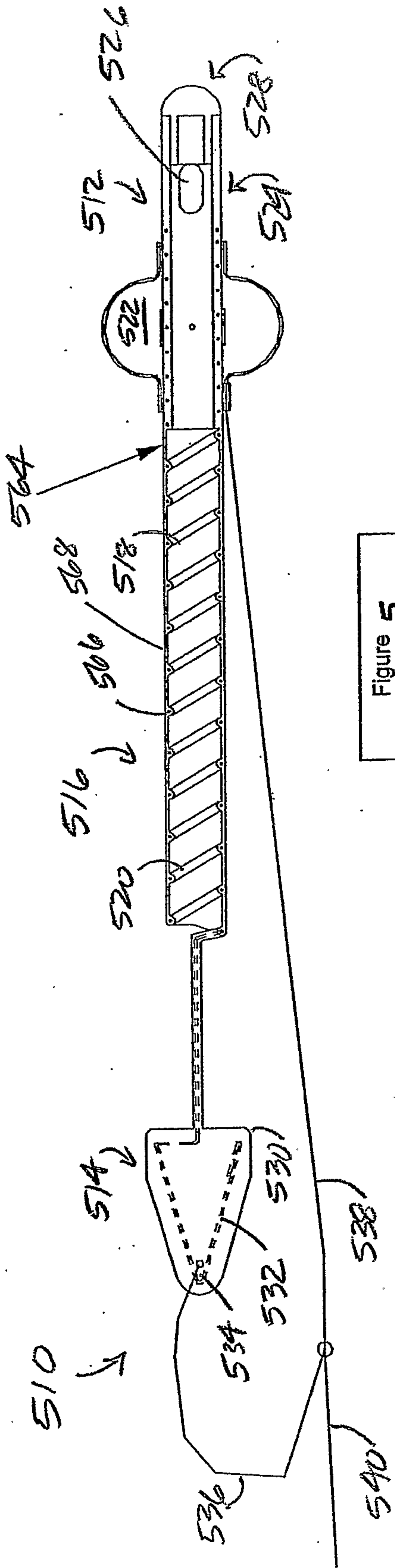


Figure 5

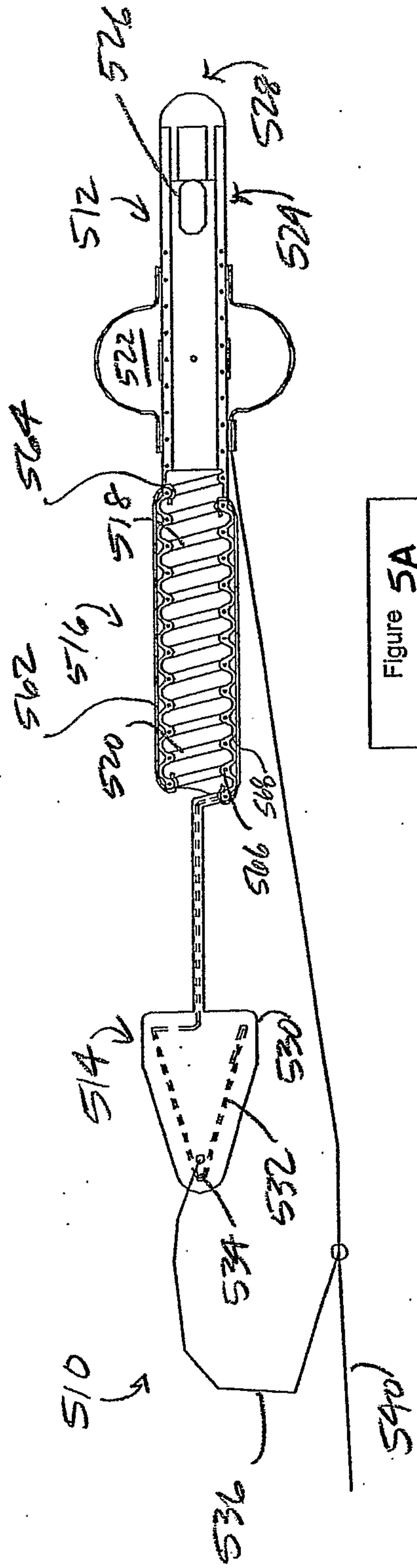


Figure 5A

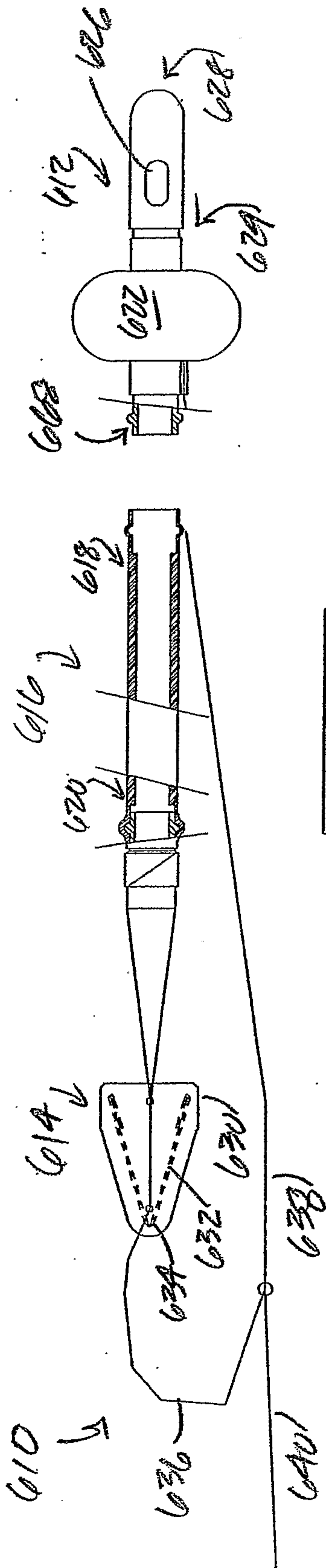


Figure 6A

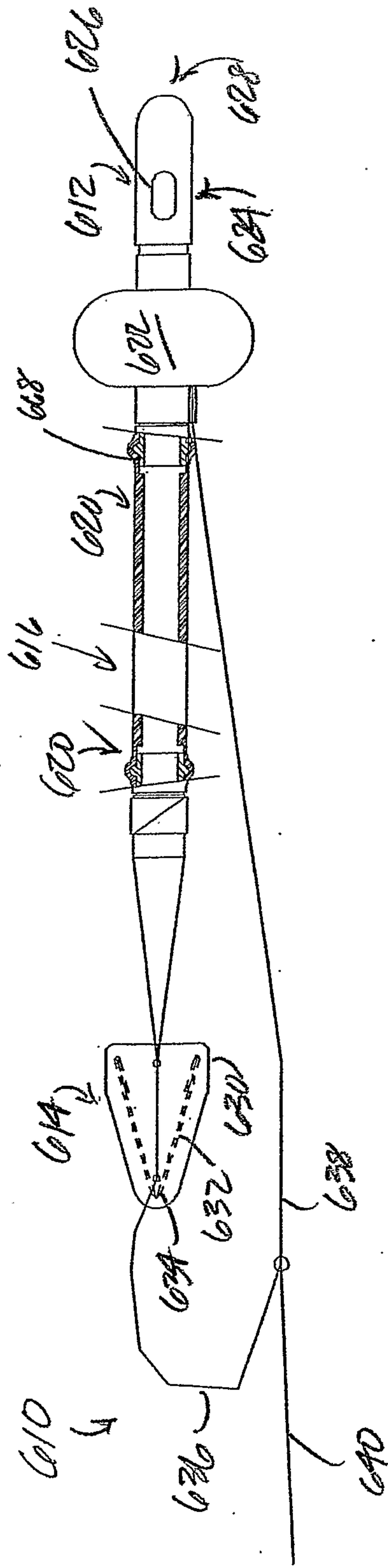


Figure 6

